



US00D917454S

(12) **United States Design Patent** (10) **Patent No.:** **US D917,454 S**
Little et al. (45) **Date of Patent:** **** Apr. 27, 2021**

(54) **COMPUTER WITH LOUVERS**

(71) Applicant: **Hewlett-Packard Development Company, L.P.**, Spring, TX (US)
(72) Inventors: **Joshua Glenn Little**, Mountain View, CA (US); **Stacy L. Wolff**, Houston, TX (US); **Jonathan Gomez Garcia**, San Francisco, CA (US); **Marcus Andrew Hoggarth**, St. Albans (GB)
(73) Assignee: **Hewlett-Packard Development Company, L.P.**, Spring, TX (US)

(**) Term: **15 Years**

(21) Appl. No.: **29/702,943**

(22) Filed: **Aug. 22, 2019**

(51) **LOC (13) Cl.** **14-02**

(52) **U.S. Cl.**
USPC **D14/308**; D14/312

(58) **Field of Classification Search**
USPC D14/140.1, 140.2, 240, 242, 301–302, D14/308, 348–349, 351–359, 440–441,
(Continued)

(56) **References Cited**

U.S. PATENT DOCUMENTS

1,662,844 A * 3/1928 Bryant F01P 7/10
49/77.1
D210,588 S * 3/1968 Mazza D14/308
(Continued)

FOREIGN PATENT DOCUMENTS

EM 007686365-0001 * 2/2020
EM 007686365-0002 * 2/2020
KR 300853749.0000 * 5/2016

OTHER PUBLICATIONS

Envy Desktop TE01-1175xt, HP, store.hp.com, author and date not listed © 2020 HP Development Company, L.P., online, site visited Sep. 8, 2020. Available at URL: <https://store.hp.com/us/en/pdp/hp-envy-desktop-te01-1175xt> (Year: 2020).*

(Continued)

Primary Examiner — Marissa J Cash
Assistant Examiner — Altaira J Swangin
(74) *Attorney, Agent, or Firm* — Austin Rapp

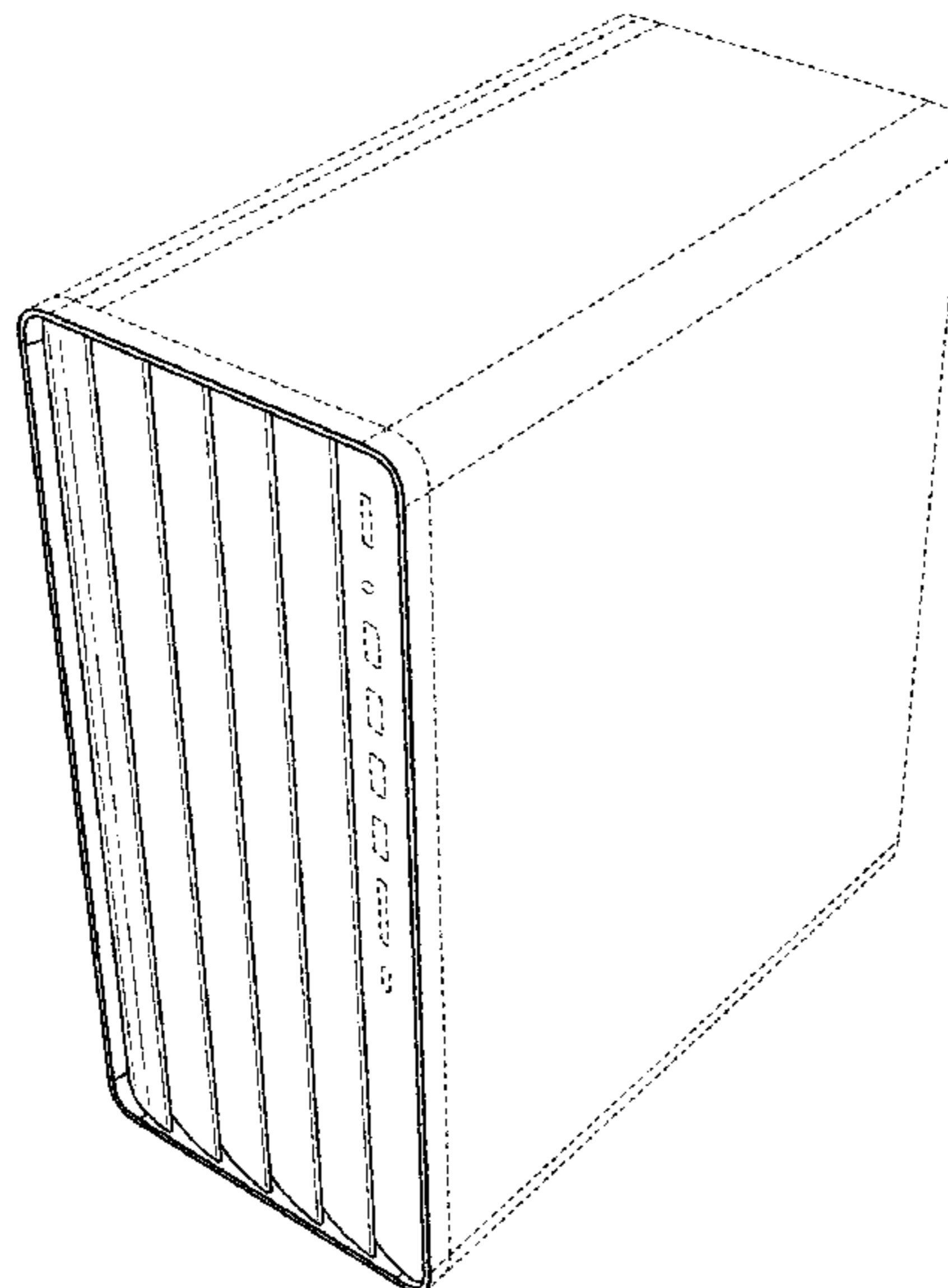
(57) **CLAIM**

The ornamental design for a computer with louvers, as shown and described.

DESCRIPTION

FIG. 1 is a front, right, top perspective view of the claimed design;
FIG. 2 is a front, left, top perspective view thereof;
FIG. 3 is a front, right, bottom perspective view thereof;
FIG. 4 is a front elevational view thereof;
FIG. 5 is a rear elevational view thereof;
FIG. 6 is a top plan view thereof;
FIG. 7 is a bottom plan view thereof;
FIG. 8 is a left-side elevational view thereof;
FIG. 9 is a right-side elevational view thereof;
FIG. 10 is a front elevational view of an embodiment of the claimed design with an optical drive door in a closed position;
FIG. 11 is a front, right, top perspective view of the embodiment of the claimed design with an optical drive door in a closed position; and,
FIG. 12 is a front, right, top perspective view of the embodiment of the claimed design with an optical drive door in an open position.
The broken lines, shown in the drawings, represent portions of the computer with louvers and form no part of the claimed design.

1 Claim, 6 Drawing Sheets



(58) **Field of Classification Search**

USPC D14/441-442, 444-446, 140.3, 311-312,
 D14/450; D9/424, 430, 432-433;
 206/706-709, 722-725; D13/103,
 D13/110-112, 122, 158-160, 184;
 D23/364-365, 365-366, 270, 209, 327,
 D23/388, 392; 361/679.01, 679.02,
 361/679.21; D25/48.8; D12/173, 181,
 D12/193
 CPC .. G06F 1/18; G06F 1/181; G06F 1/20; H05K
 5/00; H05K 5/03; H05K 5/04; H05K
 5/0213

See application file for complete search history.

(56) **References Cited**

U.S. PATENT DOCUMENTS

D268,129 S * 3/1983 Zuback D23/359
 D290,746 S * 7/1987 Whitley, II D12/317
 D298,425 S * 11/1988 Kubo D12/163
 4,850,444 A * 7/1989 Bojanowski B60K 11/08
 180/68.1
 D310,057 S * 8/1990 Guelfi D12/163
 D317,445 S * 6/1991 Sacherman D14/353
 D318,335 S * 7/1991 Stocca D25/138
 D323,202 S * 1/1992 Kopf D23/209
 D327,276 S * 6/1992 Sorensen D12/163
 D351,903 S * 10/1994 Whitley, II D12/317
 D359,477 S * 6/1995 Shoda D14/353
 D398,710 S * 9/1998 Gonzalez D25/138
 D411,182 S * 6/1999 McIntosh D14/312
 6,065,076 A * 5/2000 Sorenson G06F 15/0283
 345/173
 D426,523 S * 6/2000 Teichler D14/140.3
 D452,465 S * 12/2001 Sacco D12/163
 D452,919 S * 1/2002 Ohanesian D25/138
 D453,046 S * 1/2002 Ohanesian D25/138
 D469,040 S * 1/2003 Warming D12/163
 D471,846 S * 3/2003 Pfeiffer D12/163
 D479,717 S * 9/2003 Searby D14/353

D487,521 S * 3/2004 Link D25/138
 D514,480 S * 2/2006 Yamaji D12/163
 D527,694 S * 9/2006 Chung D12/163
 D528,664 S * 9/2006 Lynch D25/138
 D541,947 S * 5/2007 Schafernak D25/138
 D545,729 S * 7/2007 Lee D12/163
 D545,730 S * 7/2007 Lee D12/163
 D575,206 S * 8/2008 Shelby D12/173
 D606,460 S * 12/2009 Richards D12/163
 D672,705 S * 12/2012 Kennedy D12/412
 D686,543 S * 7/2013 Weil D12/163
 8,573,455 B1 * 11/2013 Brown B60R 11/0247
 224/483
 D723,985 S * 3/2015 Johnson D12/203
 D729,705 S * 5/2015 Gunnarson D12/163
 D737,474 S * 8/2015 Geldart D25/138
 D740,282 S * 10/2015 Peng D14/364
 D759,550 S * 6/2016 Vena D12/163
 D783,136 S * 4/2017 Park D23/351
 D788,669 S * 6/2017 Guo D12/203
 D803,223 S * 11/2017 LaPree D14/441
 D809,115 S * 1/2018 Morin D23/365
 D814,980 S * 4/2018 Villamizar D12/163
 D829,320 S * 9/2018 Terai D23/387
 D840,889 S * 2/2019 Torres D12/196
 D877,140 S * 3/2020 Little D14/314
 D898,177 S * 10/2020 Guo D23/365

OTHER PUBLICATIONS

Hood Louver and Bezel Set for Nova '67-'72, Hugger Performance, amazon.com, published by Hugger Performance on Aug. 18, 2004 © 1996-2020 Amazon.com, Inc., online, site visited Sep. 8, 2020. Available at URL: https://www.amazon.com/Hood-louver-bezel-Nova-67-72/dp/B0002X31VK/ref=sr_1_12?dchild... (Year: 2004).* 58825W ABS White Plastic Louvered Vent, White Water, amazon.com, published by White Water on May 27, 2020 © 1996-2020 Amazon.com, Inc., online, site visited Sep. 8, 2020. Available at URL: <https://www.amazon.com/White-Water-58825W-Plastic-Louvered/dp/B0799T9FPB> (Year: 2020).*

* cited by examiner

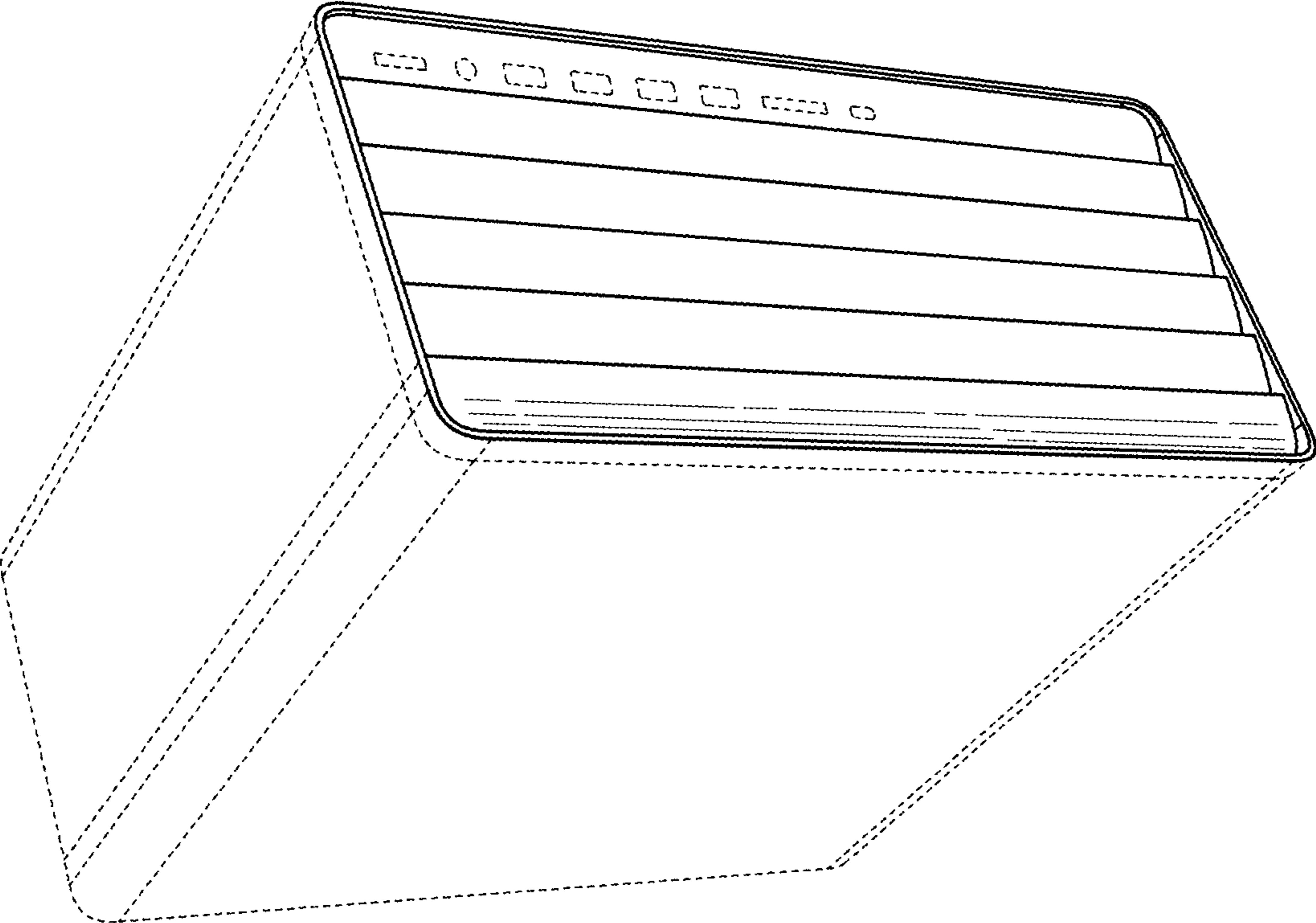


FIG. 2

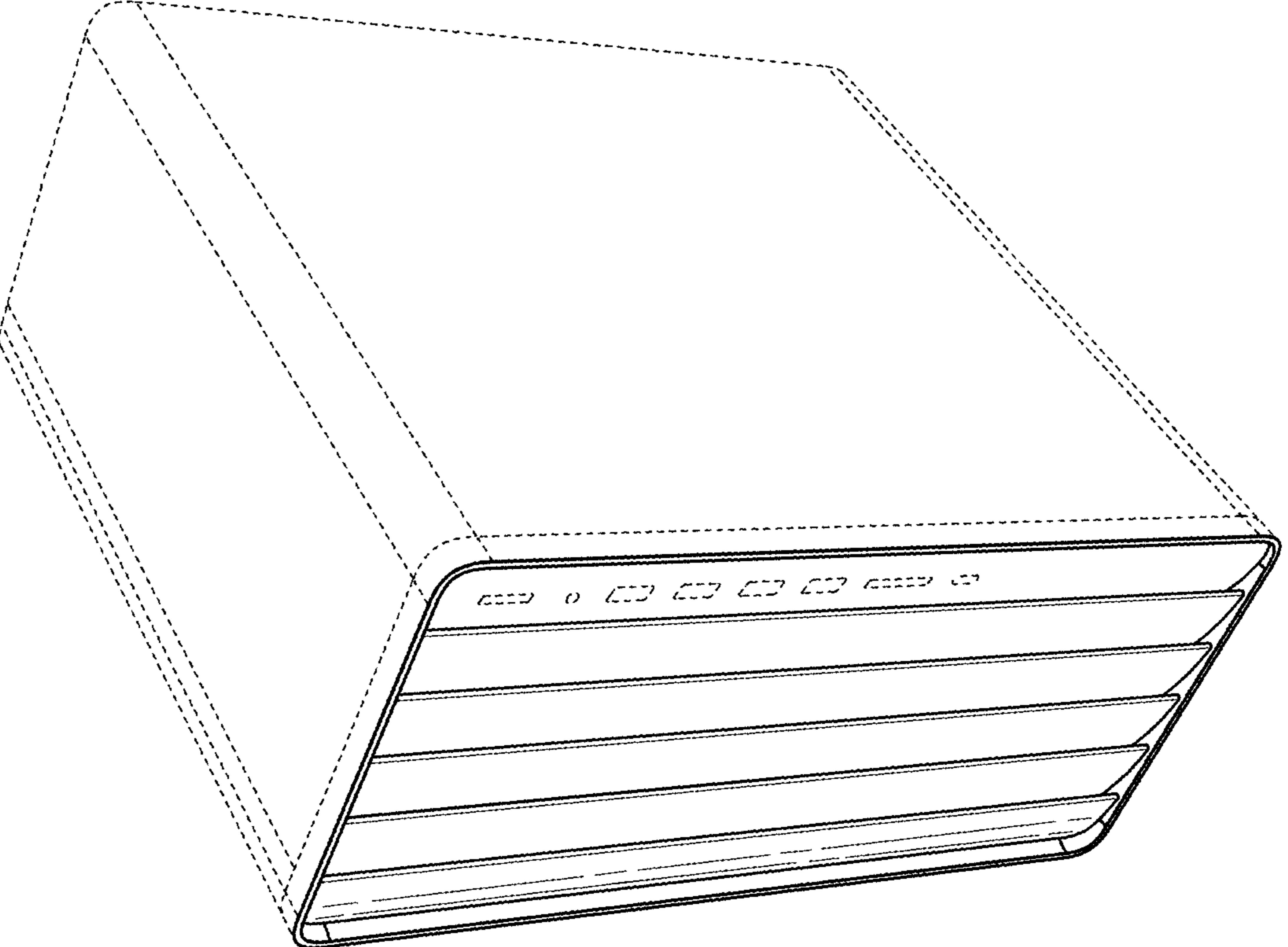


FIG. 1

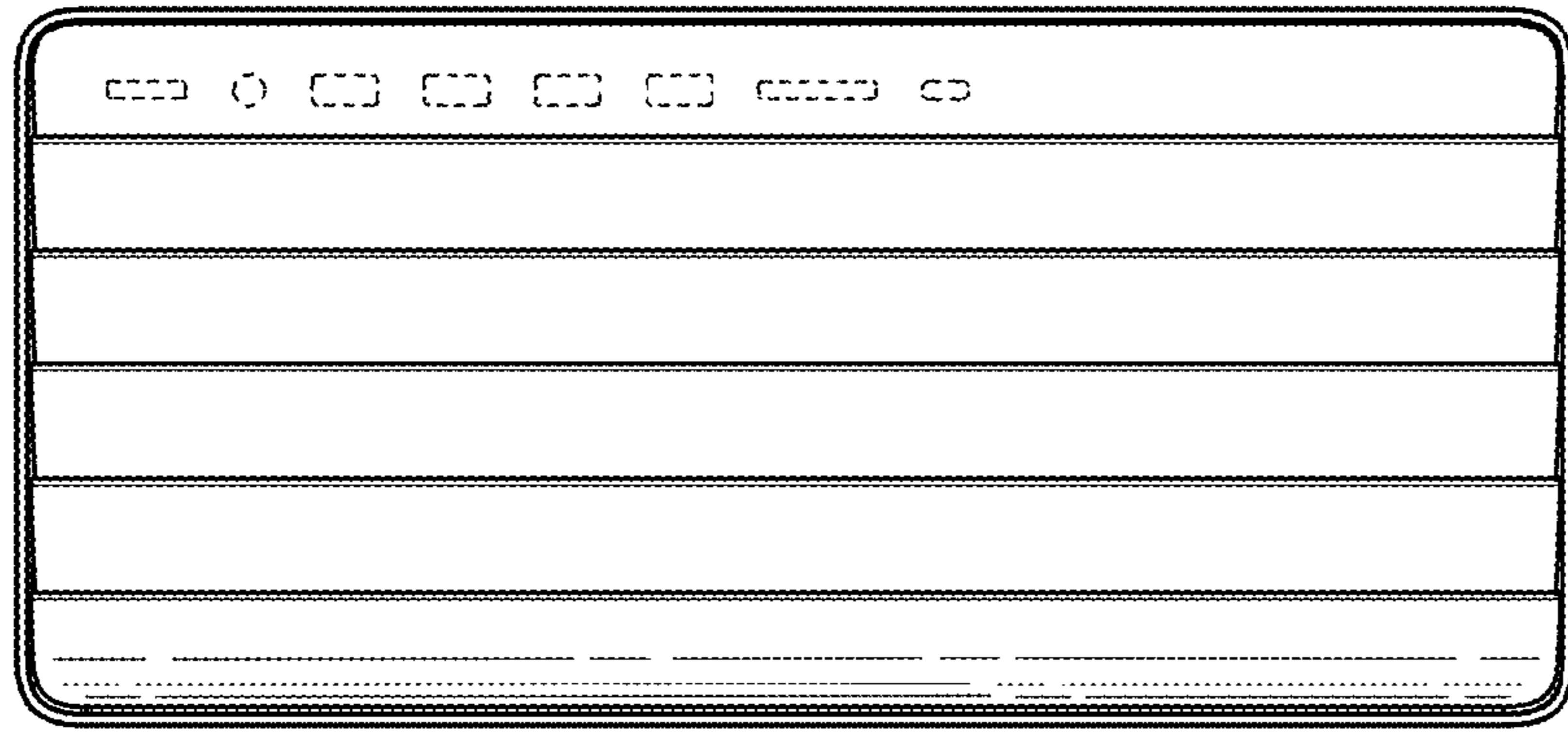


FIG. 4

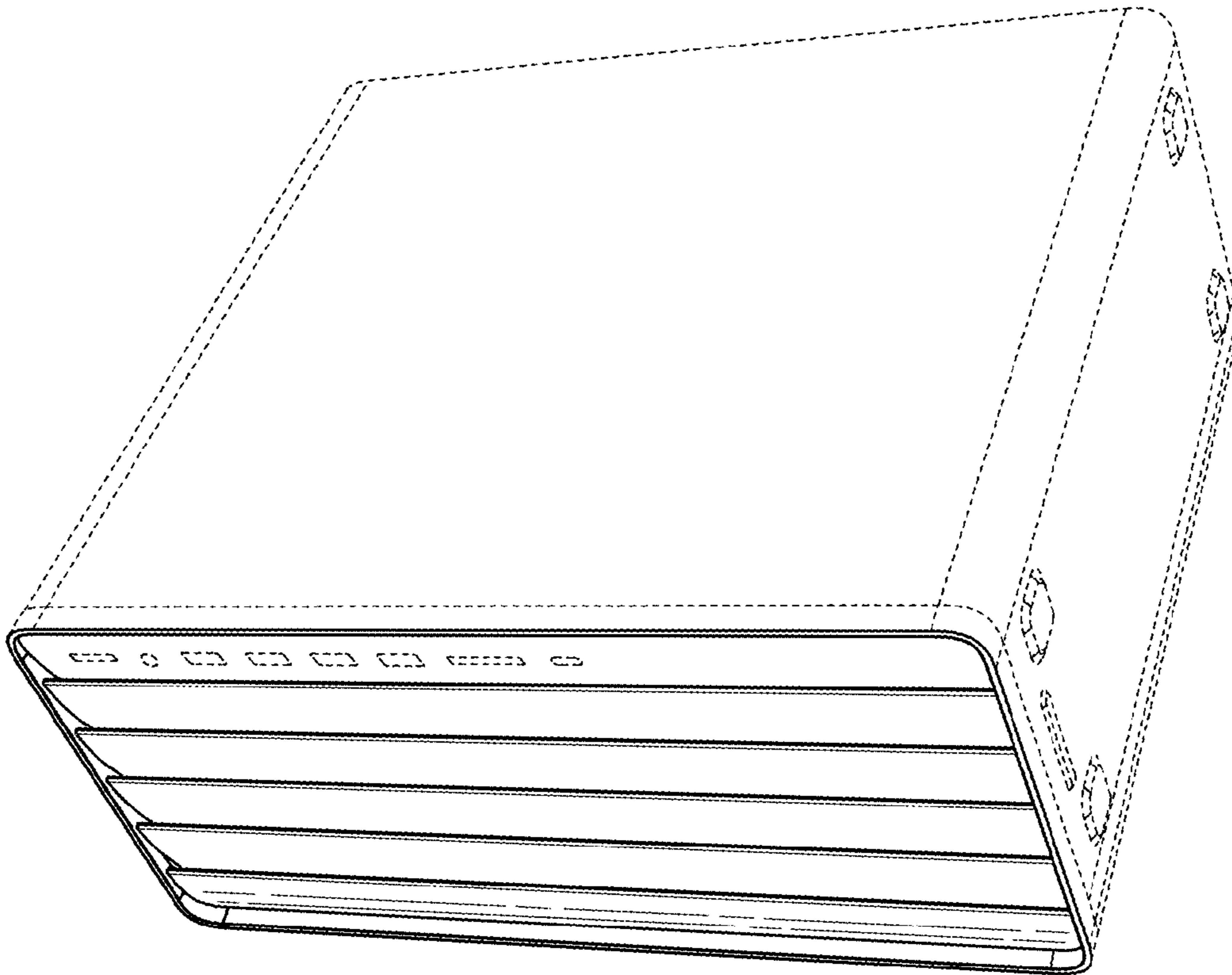


FIG. 3

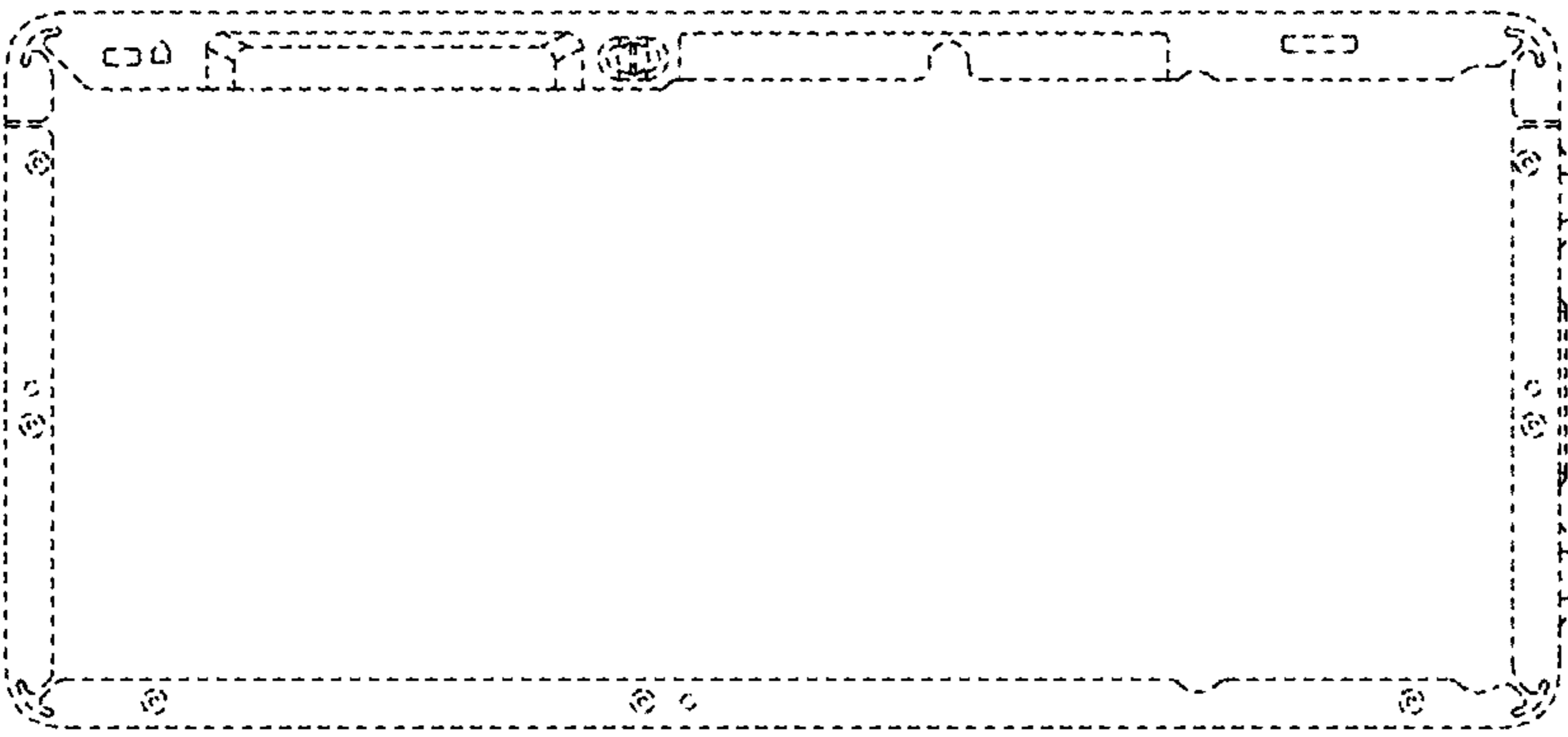


FIG. 5

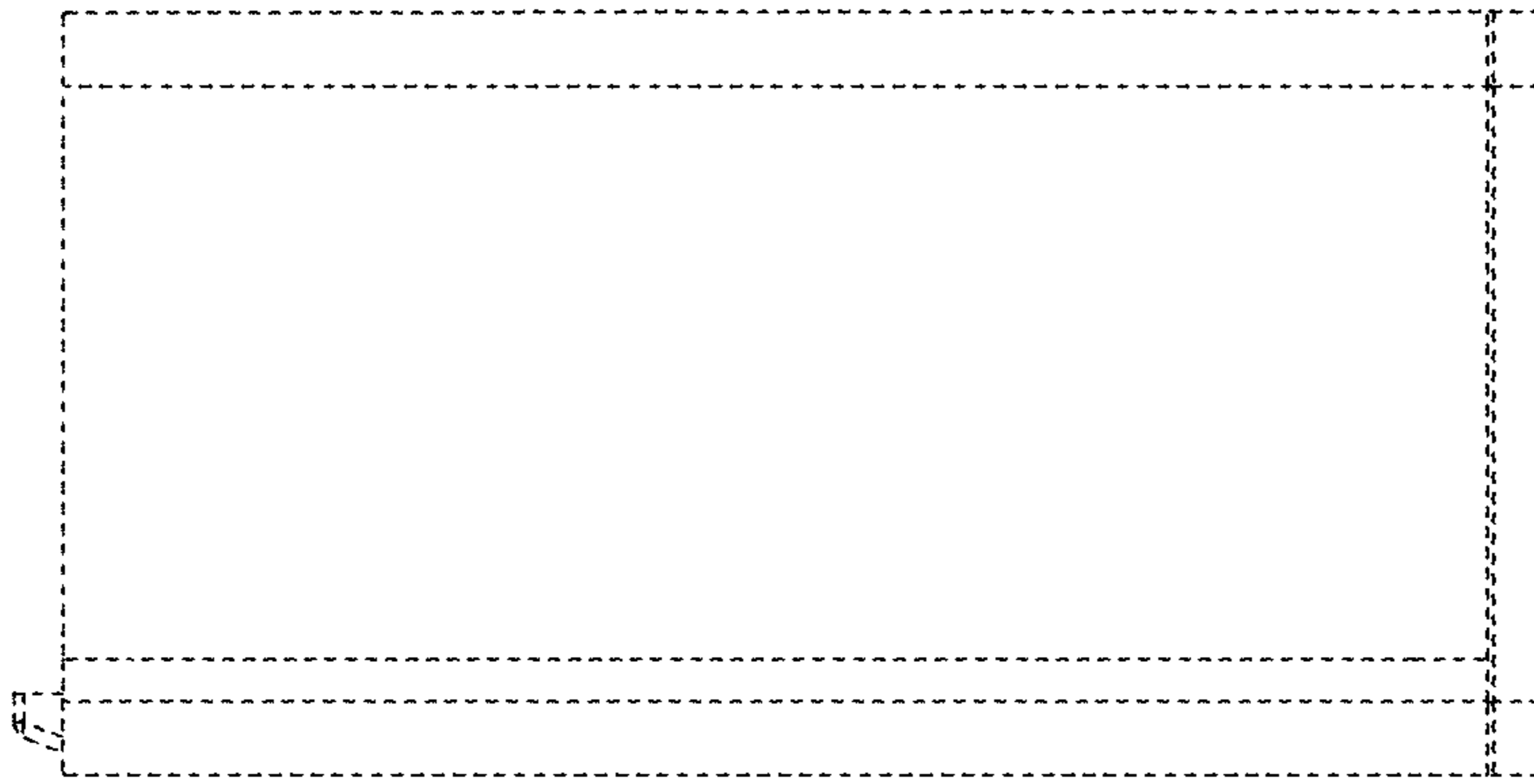


FIG. 6

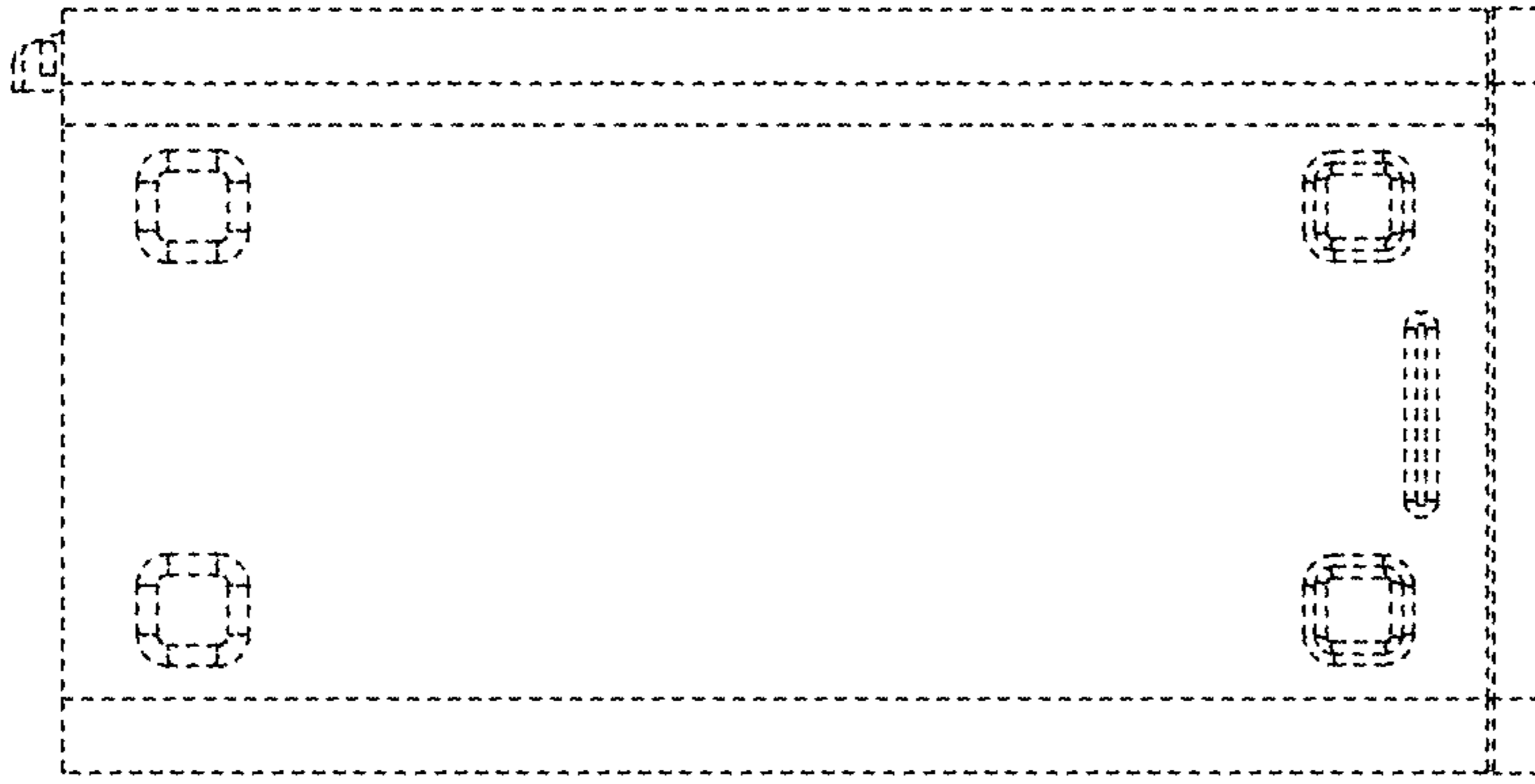


FIG. 7

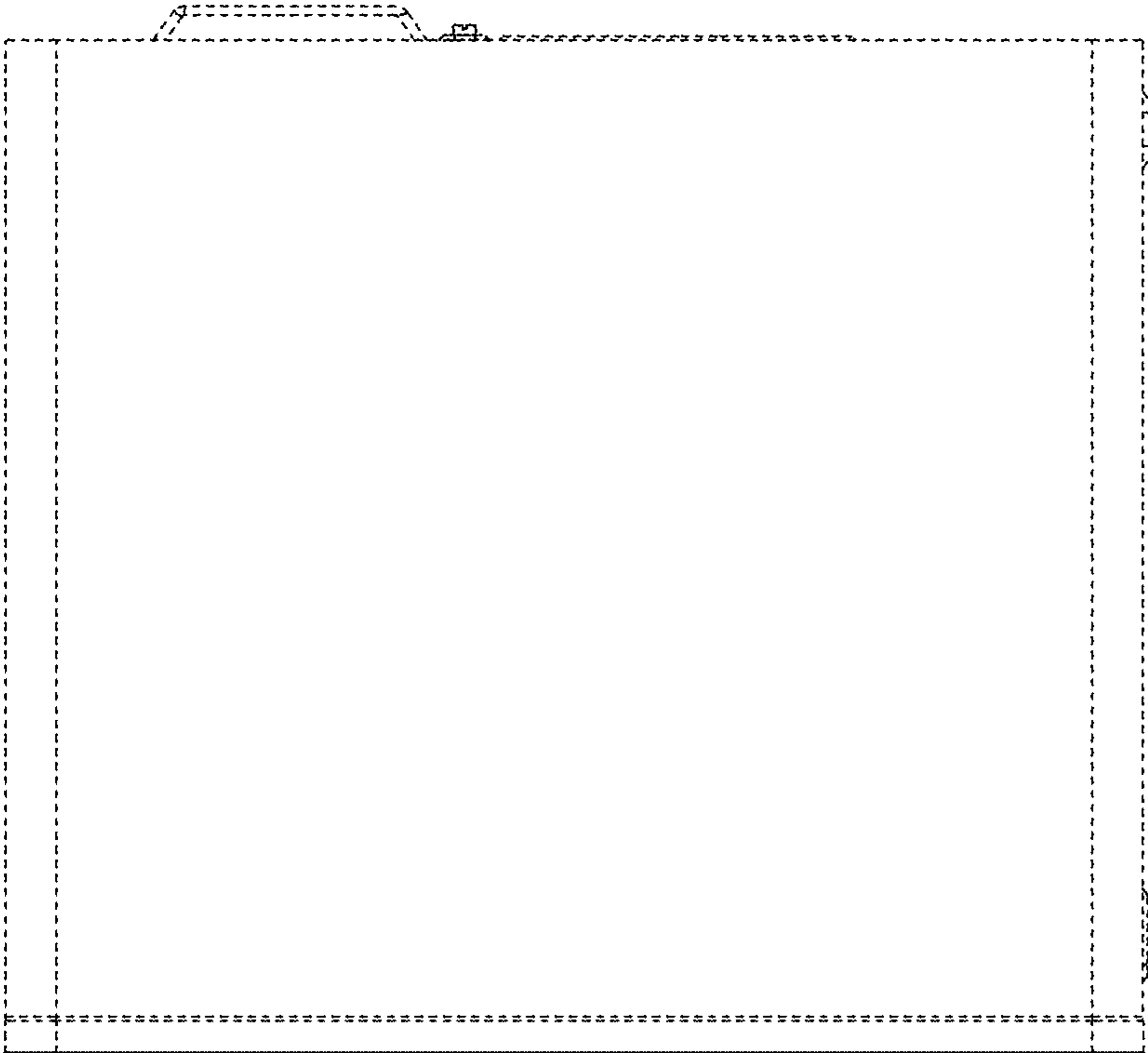


FIG. 9

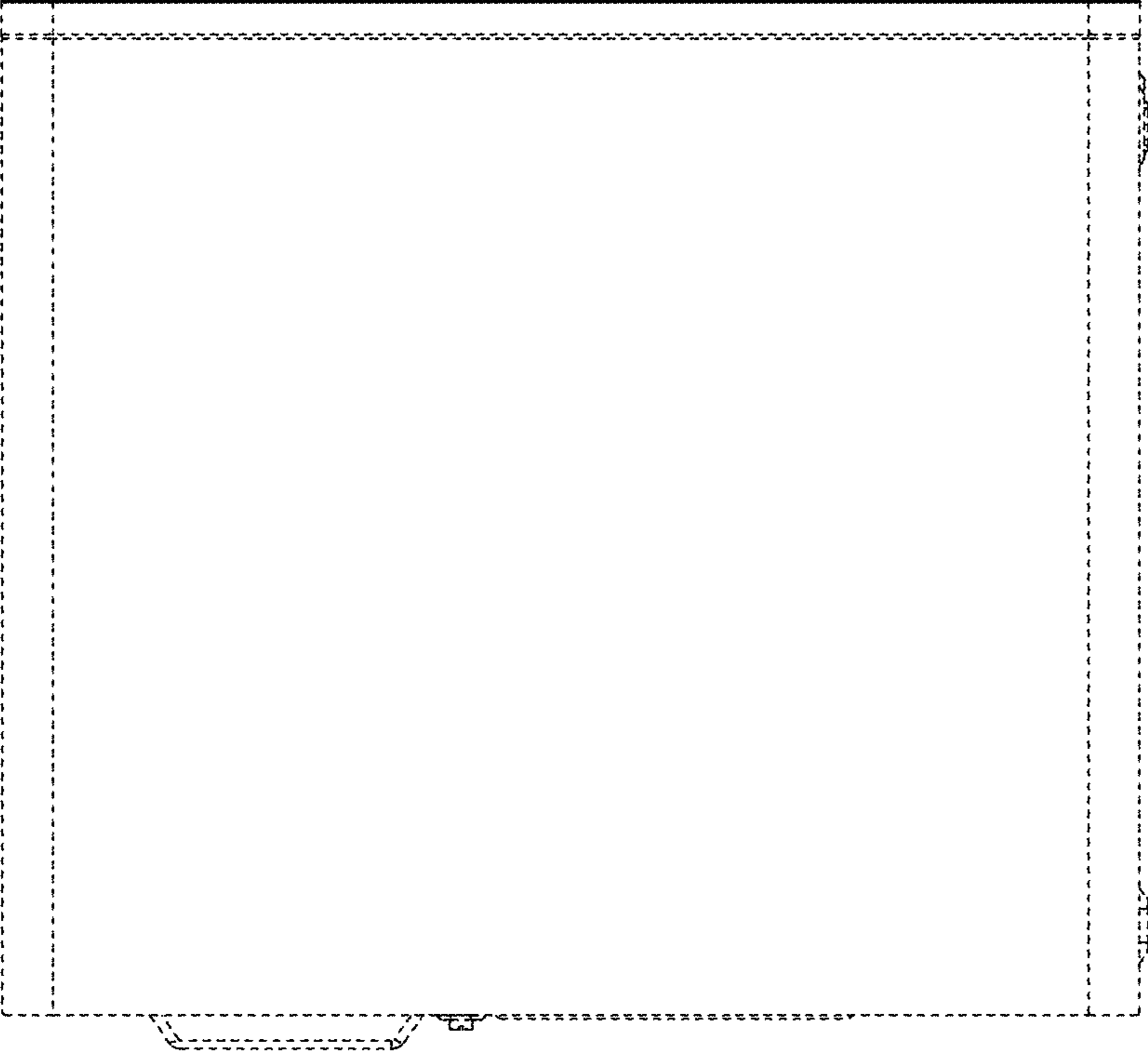


FIG. 8

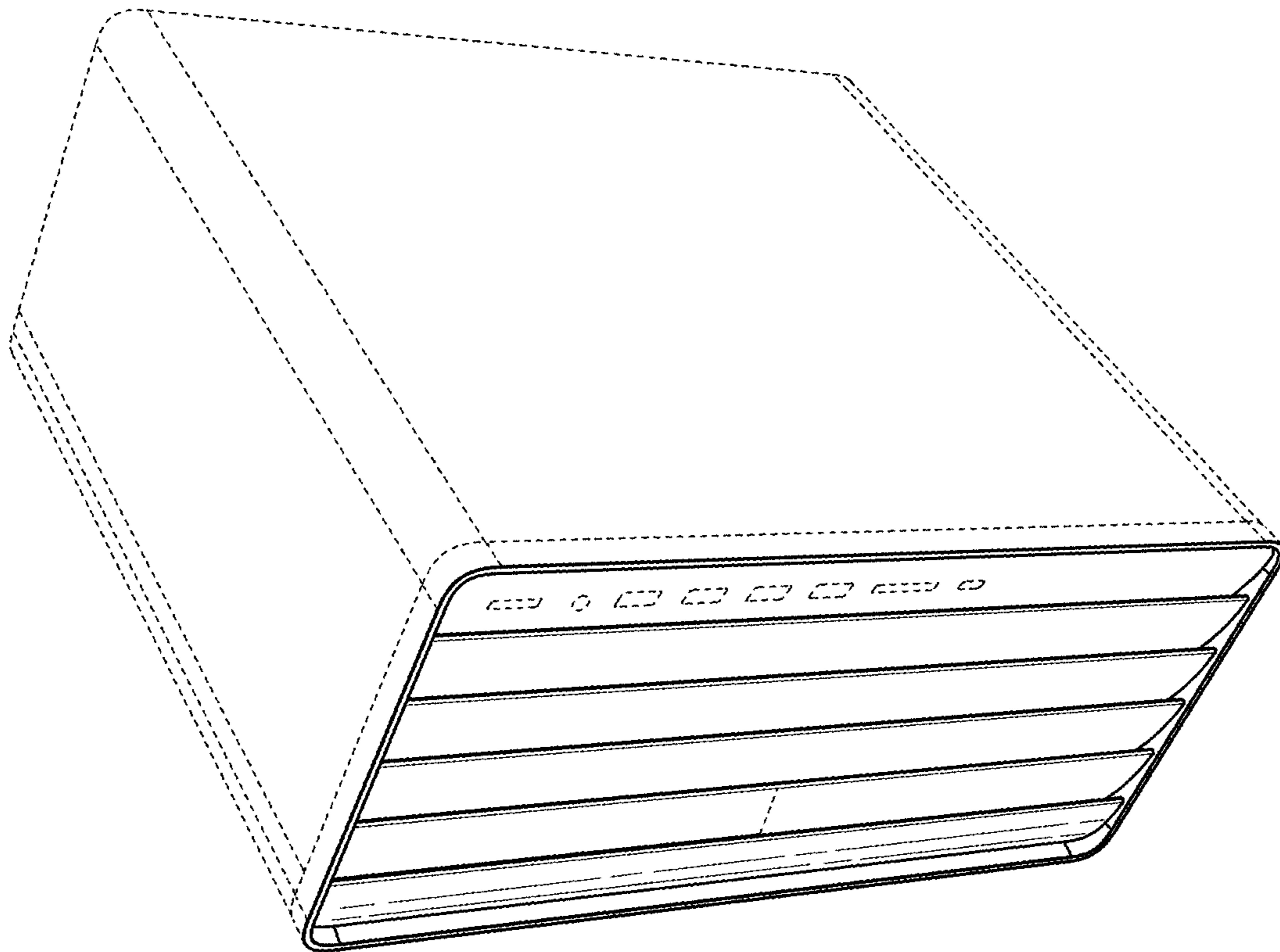


FIG. 11

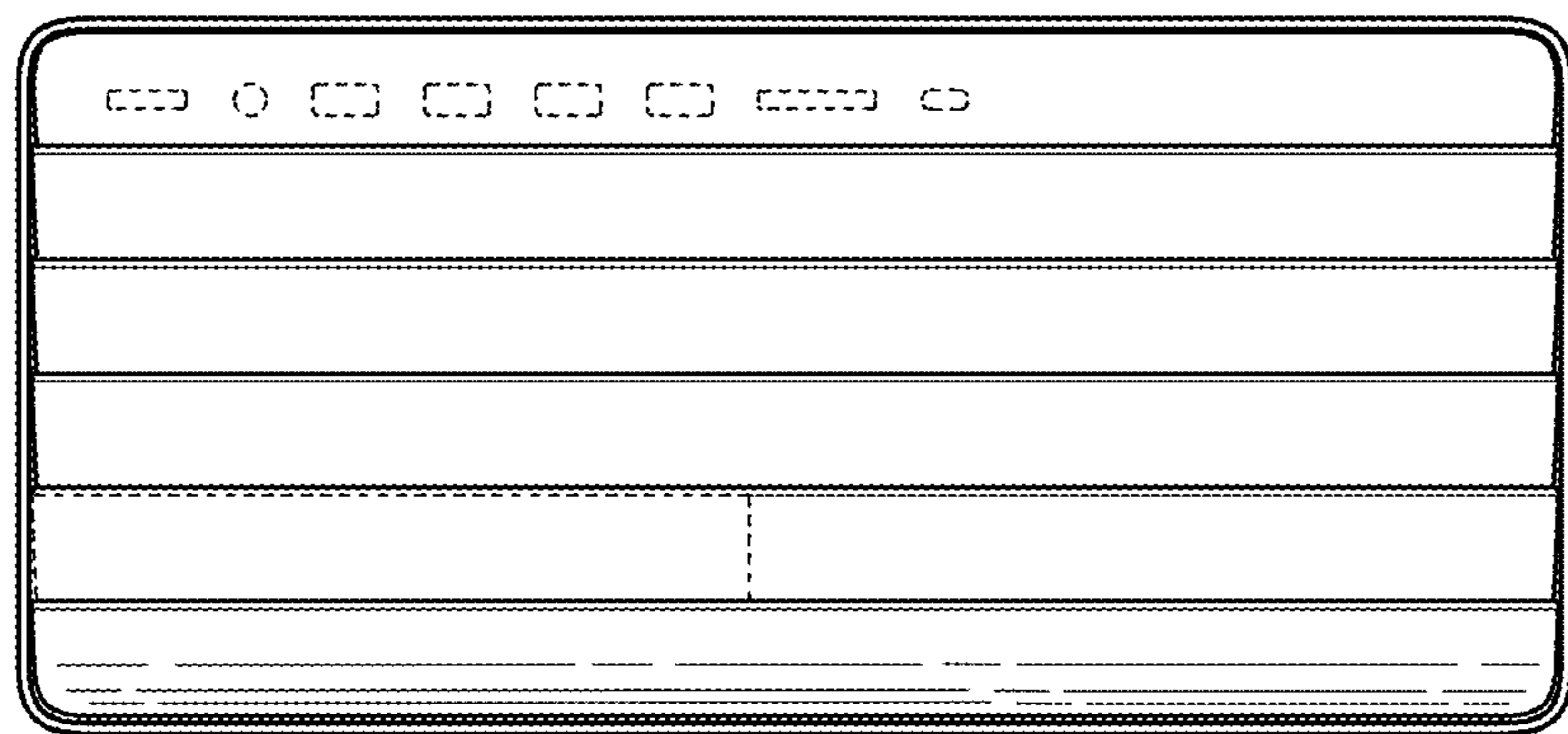


FIG. 10

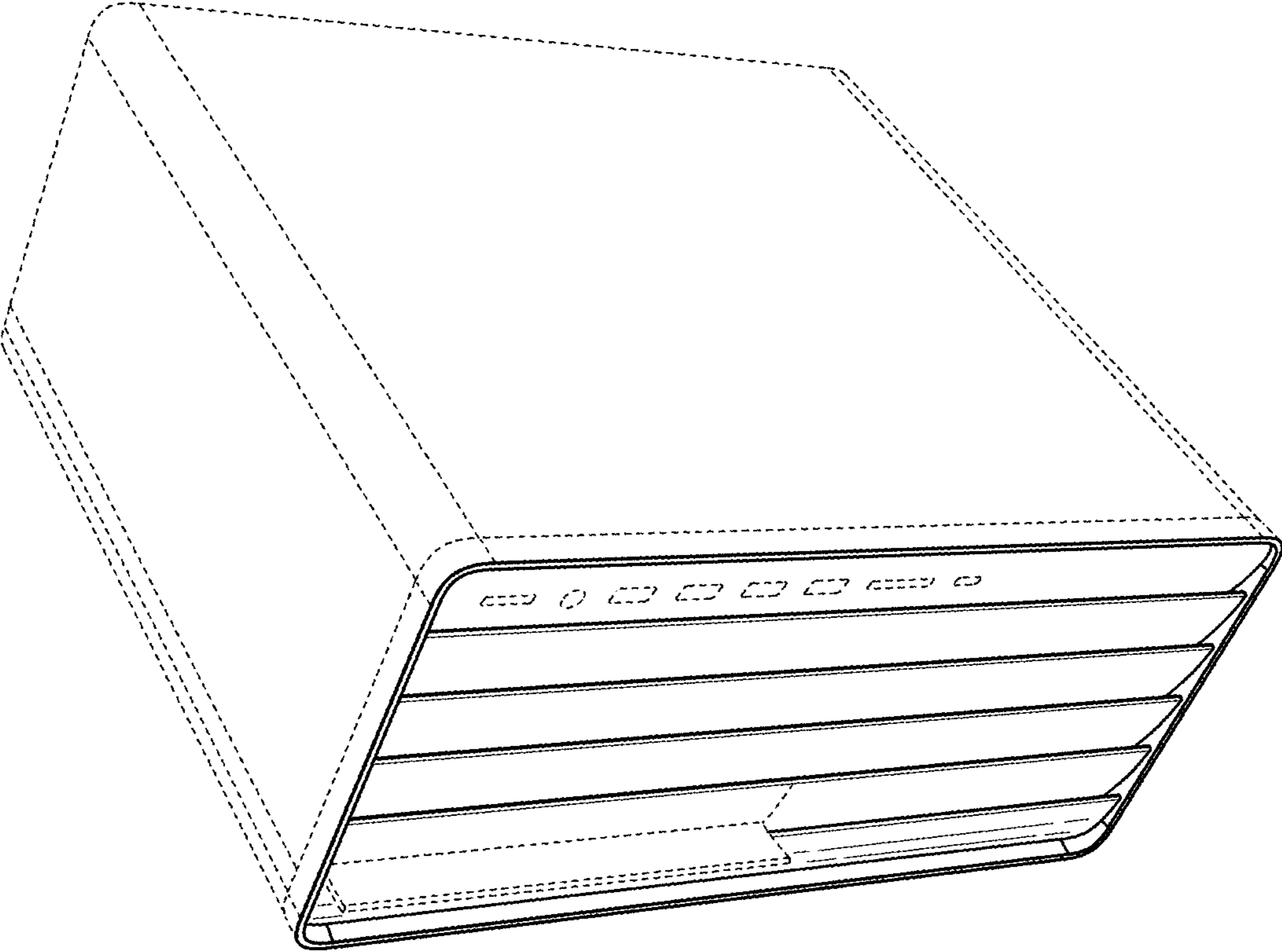


FIG. 12