



US00D917453S

(12) **United States Design Patent** (10) **Patent No.:** **US D917,453 S**  
**Dadhaniya et al.** (45) **Date of Patent:** **\*\* Apr. 27, 2021**

(54) **WALL-INTEGRATED TRANSACTION DEVICE FORM**

D574,377 S \* 8/2008 Derocher ..... D14/307  
D616,432 S \* 5/2010 Cagnina ..... D14/307  
D628,742 S 12/2010 Hsu  
D639,800 S \* 6/2011 Magruder ..... D14/307  
D646,269 S \* 10/2011 Crick, Jr. .... D14/307

(Continued)

(71) Applicant: **Capital One Services, LLC**, McLean, VA (US)

(72) Inventors: **Janak Dadhaniya**, San Francisco, CA (US); **Lisa Whitsitt**, Millbrae, CA (US); **David Kelly Wurmfeld**, McLean, VA (US); **Steve Faletti**, Brooklyn, NY (US)

(73) Assignee: **Capital One Services, LLC**, McLean, VA (US)

(\*\*) Term: **15 Years**

(21) Appl. No.: **29/652,750**

(22) Filed: **Nov. 10, 2020**

**Related U.S. Application Data**

(62) Division of application No. 29/690,301, filed on May 7, 2019, now Pat. No. Des. 903,655.

(51) **LOC (13) Cl.** ..... **14-02**

(52) **U.S. Cl.**  
USPC ..... **D14/307**

(58) **Field of Classification Search**

USPC ..... D14/302-307, 900-902; D13/163;  
D20/10; D21/332, 325, 369, 370;  
D99/28; D6/397, 466; 194/206;  
361/679.01, 679.02, 679.04, 679.21,  
361/679.57, 725

CPC ..... G06Q 20/18; G06Q 20/10; G06Q 20/123;  
G06Q 20/20; G06Q 30/02; G06Q 30/06;  
A47F 9/047

See application file for complete search history.

(56) **References Cited**

**U.S. PATENT DOCUMENTS**

D488,666 S \* 4/2004 Beckley ..... D7/339  
D532,417 S \* 11/2006 Becker ..... D14/307

**OTHER PUBLICATIONS**

Co-pending U.S. Appl. No. 29/690,301, Inventor Dadhaniya; Janak, filed May 7, 2019.

*Primary Examiner* — Austin Murphy

(74) *Attorney, Agent, or Firm* — Harrity & Harrity, LLP

(57) **CLAIM**

The ornamental design for a wall-integrated transaction device form, as shown and described.

**DESCRIPTION**

FIG. 1 is a perspective view of a wall-integrated transaction device form of a ninth example embodiment of our new design.

FIG. 2 is a front view of the wall-integrated transaction device form of the ninth example embodiment.

FIG. 3 is a back view of the wall-integrated transaction device form of the ninth example embodiment.

FIG. 4 is a left side view of the wall-integrated transaction device form of the ninth example embodiment.

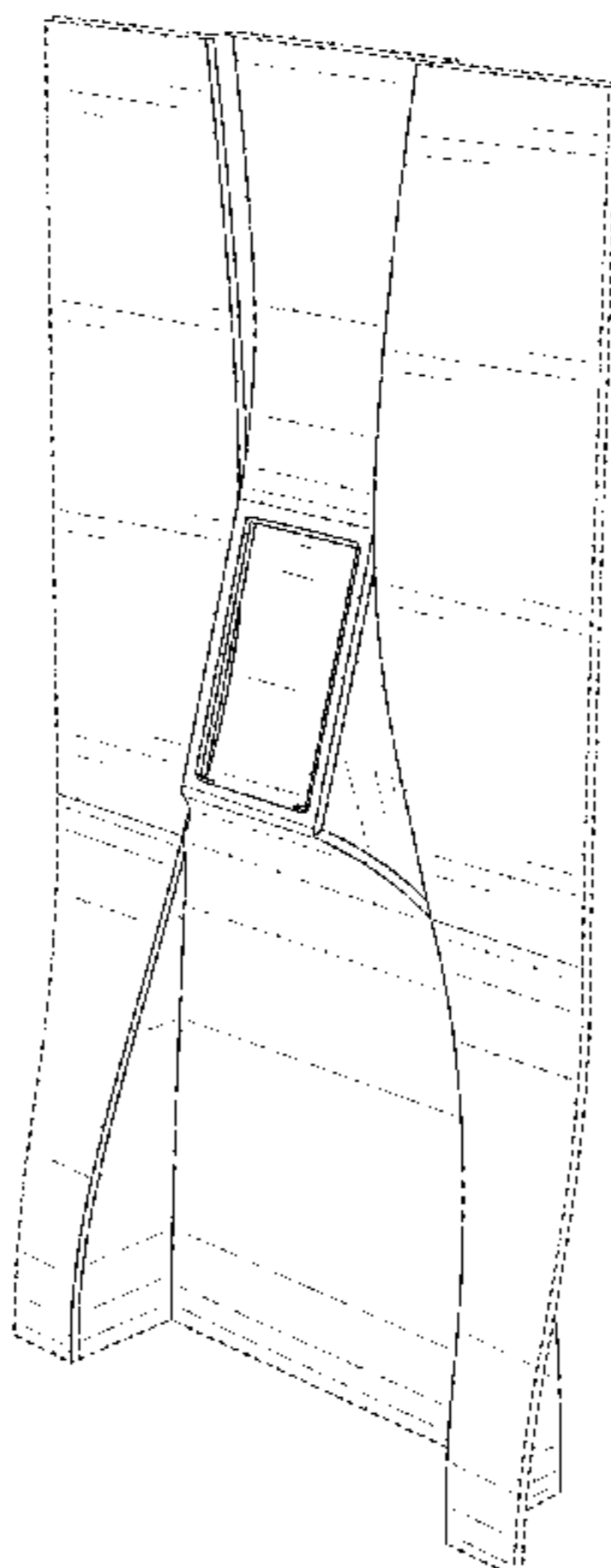
FIG. 5 is a right side view of the wall-integrated transaction device form of the ninth example embodiment.

FIG. 6 is a top view of the wall-integrated transaction device form of the ninth example embodiment; and,

FIG. 7 is a bottom view of the wall-integrated transaction device form of the ninth example embodiment.

The broken lines shown in the drawings are for illustrative purposes only and form no part of the claimed design. The shade lines in the figures show contour and not surface ornamentation.

**1 Claim, 6 Drawing Sheets**



(56)

**References Cited**

U.S. PATENT DOCUMENTS

D671,535 S	11/2012	Terashima et al.	
D730,890 S	6/2015	Kraft et al.	
D732,015 S *	6/2015	Alekhin .....	D14/307
D743,956 S *	11/2015	Kraft .....	D14/307
D788,098 S	5/2017	Thornton et al.	
D816,078 S	4/2018	Horn et al.	
D842,930 S *	3/2019	Johnson .....	D21/369
D843,467 S *	3/2019	Johnson .....	D21/369
D843,468 S *	3/2019	Johnson .....	D21/369
D864,947 S	10/2019	Van De Poll	
D887,403 S *	6/2020	Matsushita .....	D14/307
D903,655 S *	12/2020	Dadhaniya .....	D14/307

\* cited by examiner

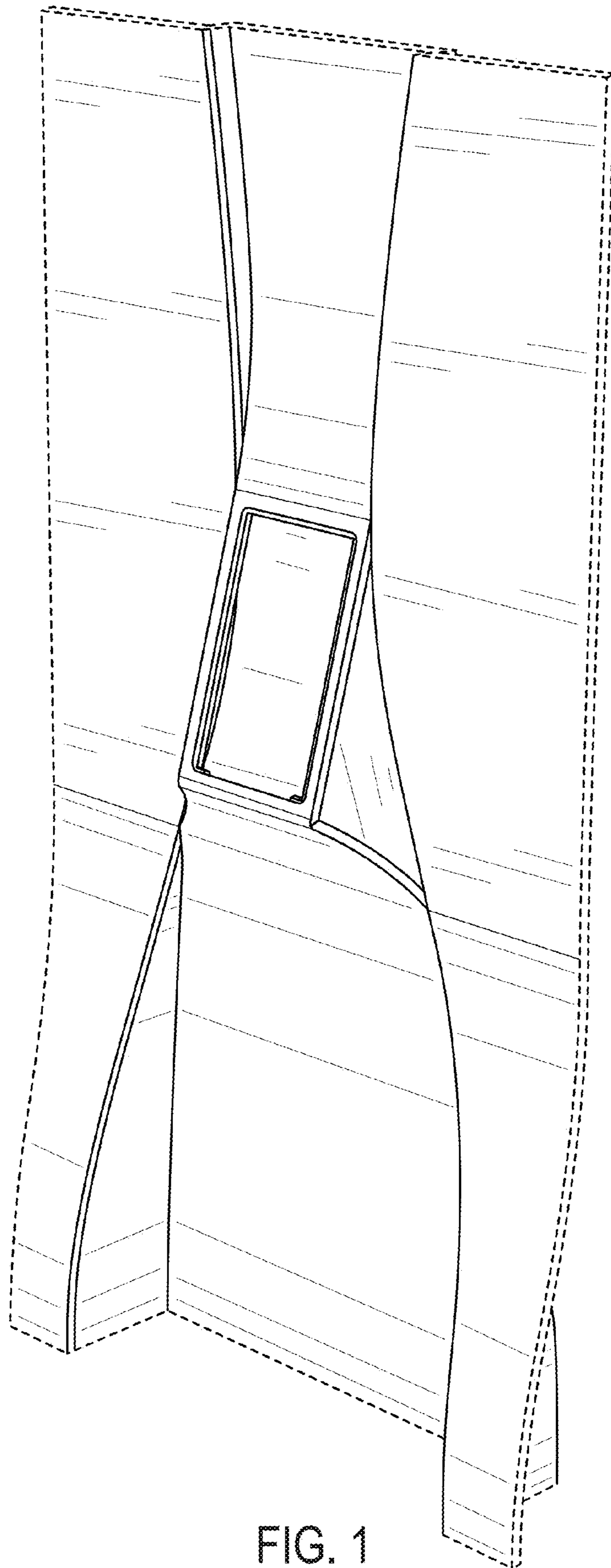


FIG. 1

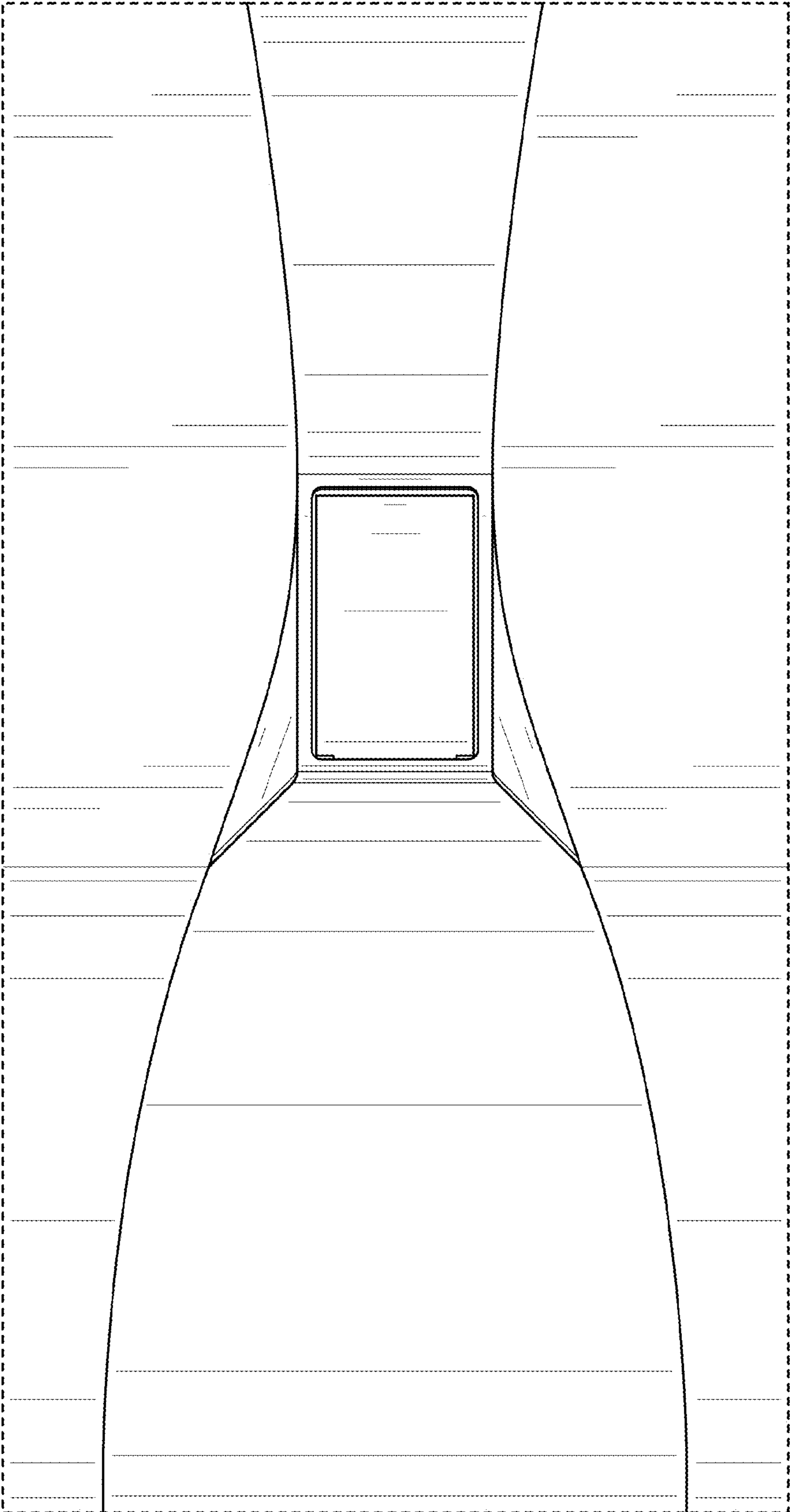


FIG. 2

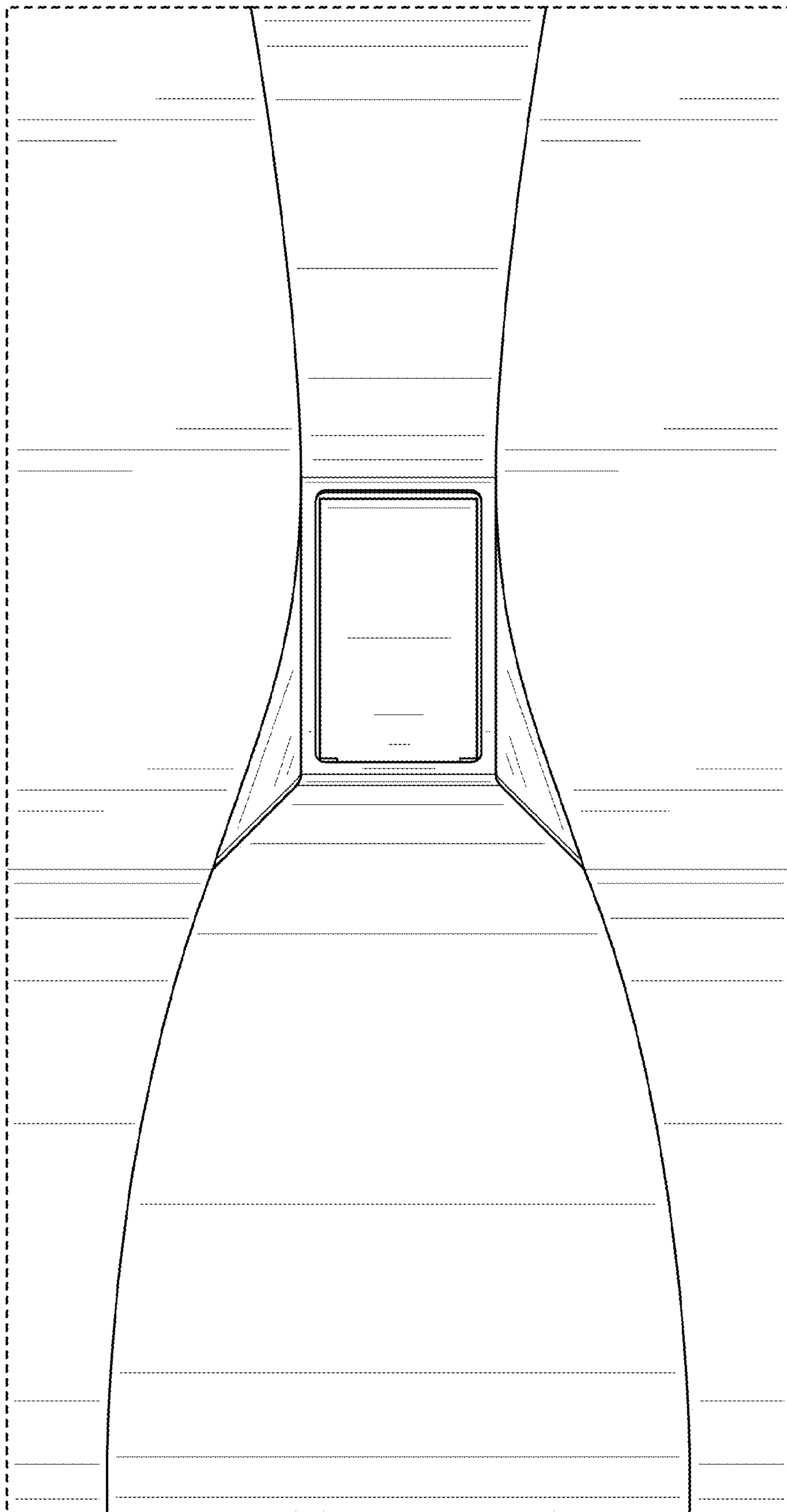


FIG. 3

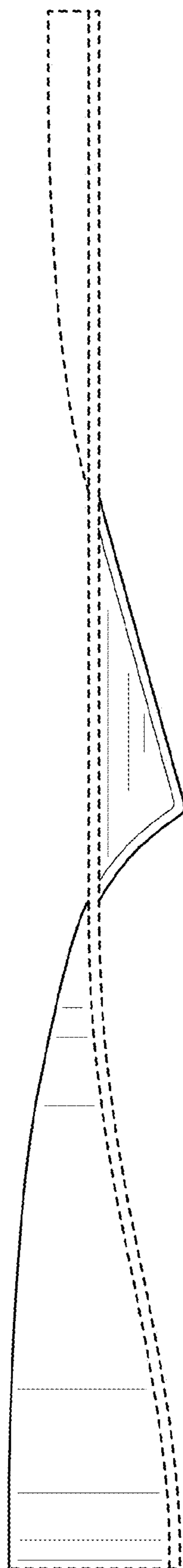


FIG. 4

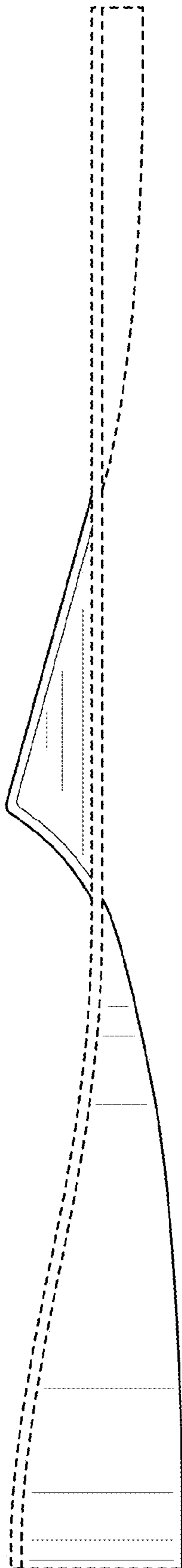


FIG. 5



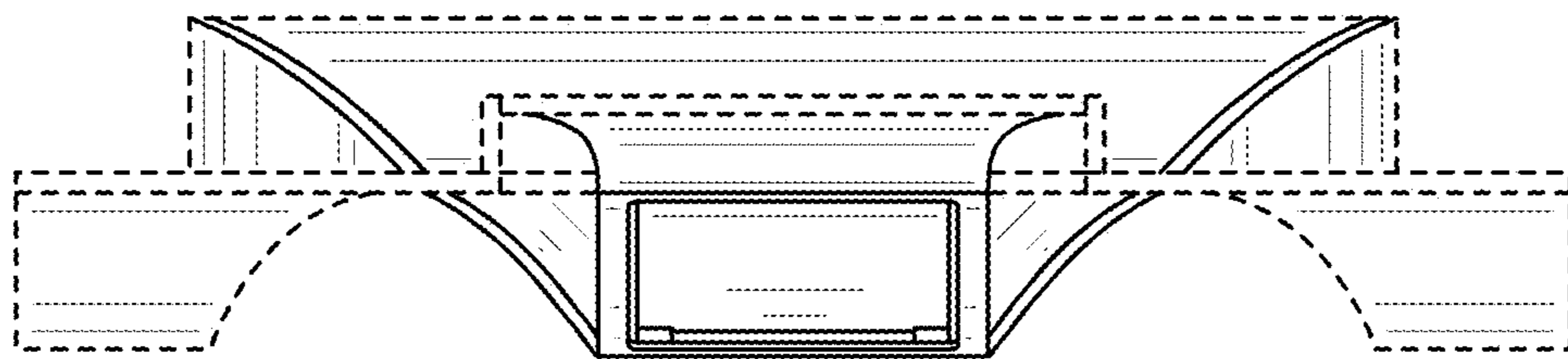


FIG. 6

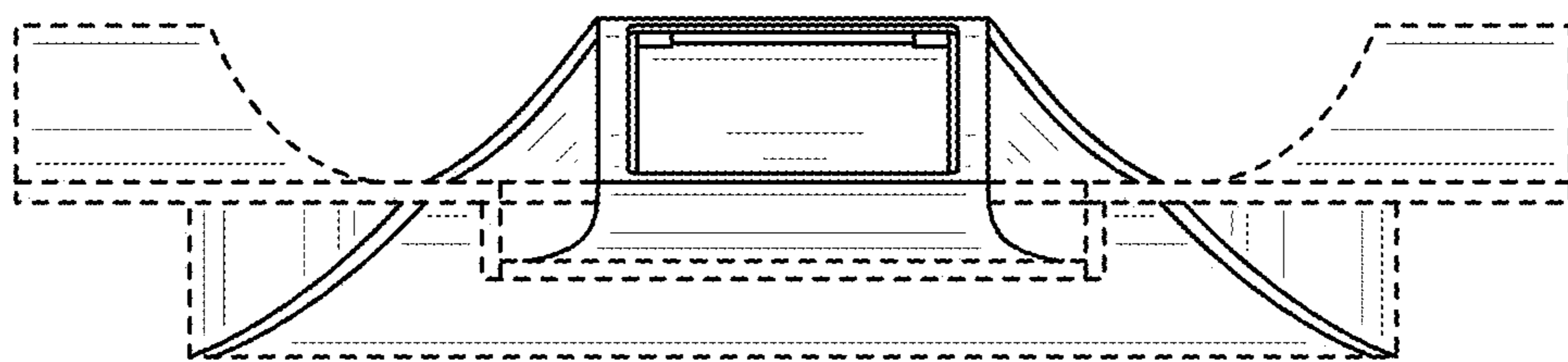


FIG. 7