



US00D917452S

(12) **United States Design Patent** (10) **Patent No.:** **US D917,452 S**  
**Lee** (45) **Date of Patent:** **\*\* Apr. 27, 2021**

(54) **STAND FOR ELECTRONIC DEVICE**  
(71) Applicant: **ELAGO COMPANY CO., LTD.,**  
Goyang-si (KR)  
(72) Inventor: **Chanwoo Lee,** Goyang-si (KR)  
(73) Assignee: **ELAGO COMPANY CO., LTD.,**  
Goyang-si (KR)

D887,977 S 6/2020 Weinstein et al.  
D888,661 S \* 6/2020 Yoon ..... D13/108  
D900,737 S \* 11/2020 Hsu ..... D13/108  
D904,978 S \* 12/2020 Liao ..... D13/108  
D905,042 S \* 12/2020 Lim ..... D14/253  
D908,621 S \* 1/2021 Akana ..... D13/108  
D909,967 S \* 2/2021 Larson ..... D13/108  
D909,968 S \* 2/2021 Chen ..... D13/108  
D911,277 S \* 2/2021 Shang ..... D13/108

(Continued)

(\*\*) Term: **15 Years**

**FOREIGN PATENT DOCUMENTS**

(21) Appl. No.: **29/759,807**

CN 304966294 12/2018  
CN 305154151 5/2019  
CN 305661097 3/2020

(22) Filed: **Nov. 25, 2020**

(Continued)

(51) **LOC (13) Cl.** ..... **14-03**

(52) **U.S. Cl.**  
USPC ..... **D14/253; D13/108**

*Primary Examiner* — Janice Hallmark  
(74) *Attorney, Agent, or Firm* — Paratus Law Group,  
PLLC

(58) **Field of Classification Search**  
USPC ..... D14/251–253, 447, 440; D12/415;  
D3/218; D8/349; D13/108  
CPC ..... H04M 1/04; H04B 2001/3861; H04B  
1/3877; H02J 7/0027; A45C 2001/002;  
A45F 2200/0516

See application file for complete search history.

(57) **CLAIM**

The ornamental design for a stand for electronic device, as shown and described.

(56) **References Cited**

**DESCRIPTION**

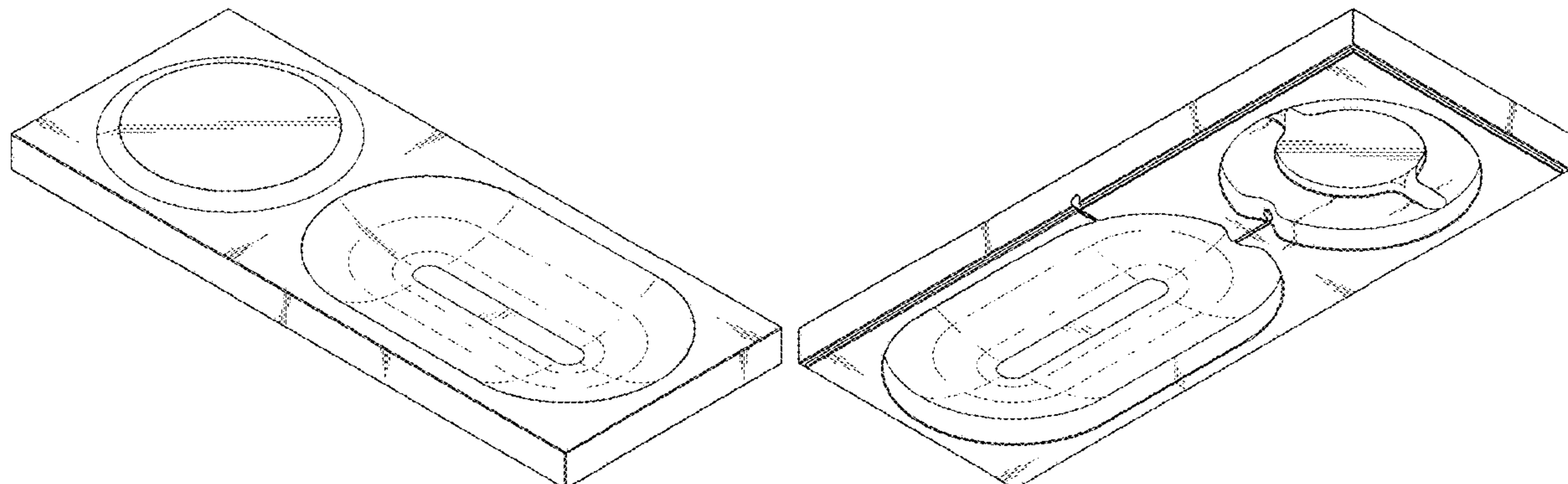
**U.S. PATENT DOCUMENTS**

D530,275 S 10/2006 Ng  
D599,736 S 9/2009 Ferber et al.  
D750,516 S \* 3/2016 Myers ..... D10/80  
D813,806 S 3/2018 Ito et al.  
D842,806 S 3/2019 Song et al.  
D853,325 S 7/2019 Xu  
D872,726 S \* 1/2020 Lindof ..... D14/253  
D873,259 S \* 1/2020 Lindof ..... D14/253  
D878,290 S 3/2020 Lee  
D878,353 S \* 3/2020 Heidrich ..... D14/253  
D879,035 S \* 3/2020 Li ..... D13/108  
D880,947 S 4/2020 Oh  
D881,123 S \* 4/2020 Zhang ..... D13/108  
D886,058 S \* 6/2020 Yoon ..... D13/108

FIG. 1 is a front, top, and right sides perspective view of a stand for electronic device, showing my new design;  
FIG. 2 is a front view thereof;  
FIG. 3 is a back view thereof;  
FIG. 4 is a left side view thereof;  
FIG. 5 is a right side view thereof;  
FIG. 6 is a top view thereof;  
FIG. 7 is a bottom view thereof; and,  
FIG. 8 is a back, bottom, and left sides perspective view thereof.

The broken lines shown in FIGS. 7 and 8 depict parts of the stand for electronic device, which form no part of the claimed design.

**1 Claim, 4 Drawing Sheets**



(56)

**References Cited**

U.S. PATENT DOCUMENTS

D911,278 S \* 2/2021 Shang ..... D13/108

FOREIGN PATENT DOCUMENTS

CN	305815109	6/2020
CN	305815110	6/2020
CN	305877482	6/2020
CN	306092385	10/2020
CN	306118117	10/2020
CN	306155237	11/2020
EM	008204671-0001	10/2020
KR	301029348.0000	10/2020

\* cited by examiner

FIG. 1

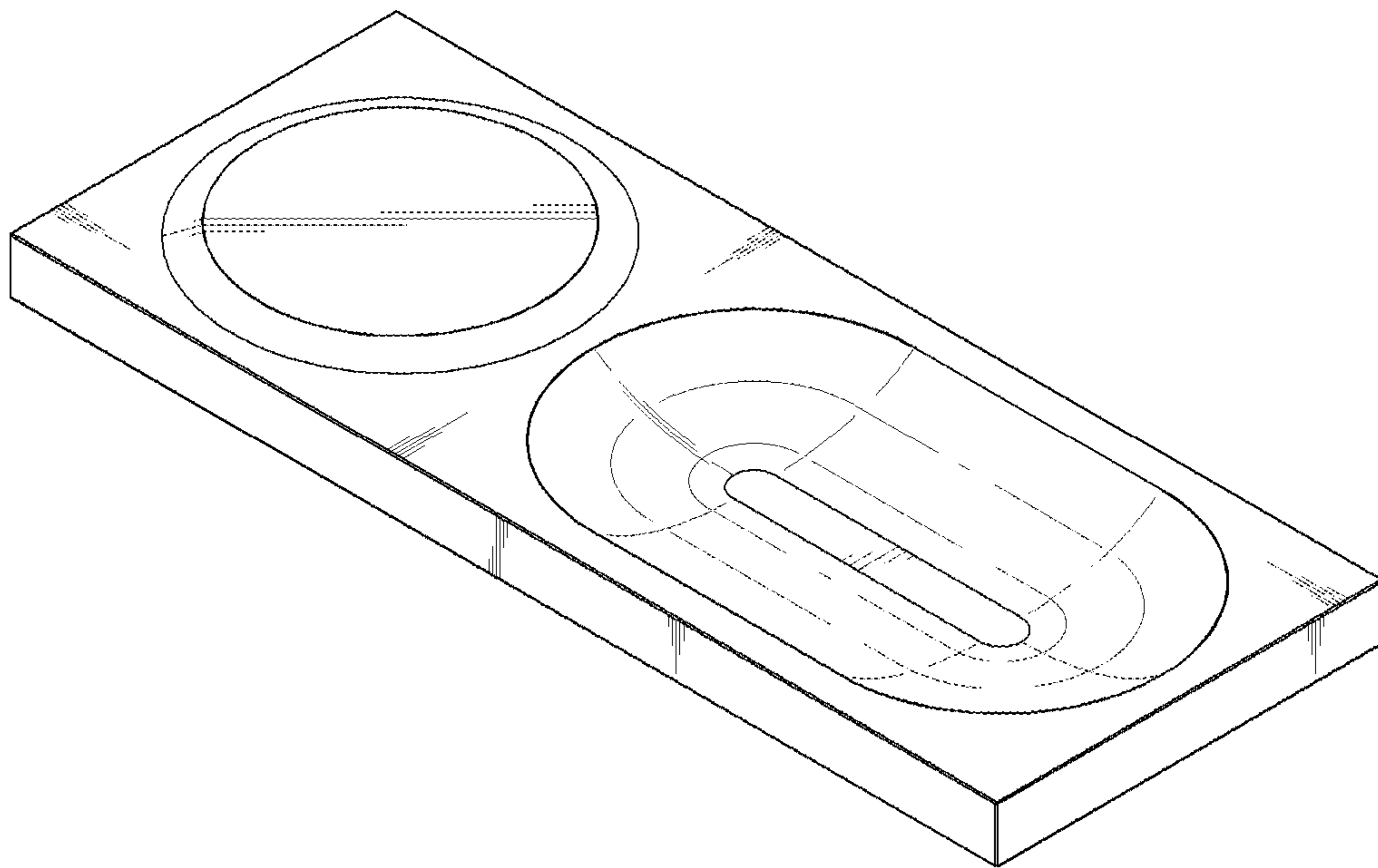


FIG. 2



FIG. 3



FIG. 4

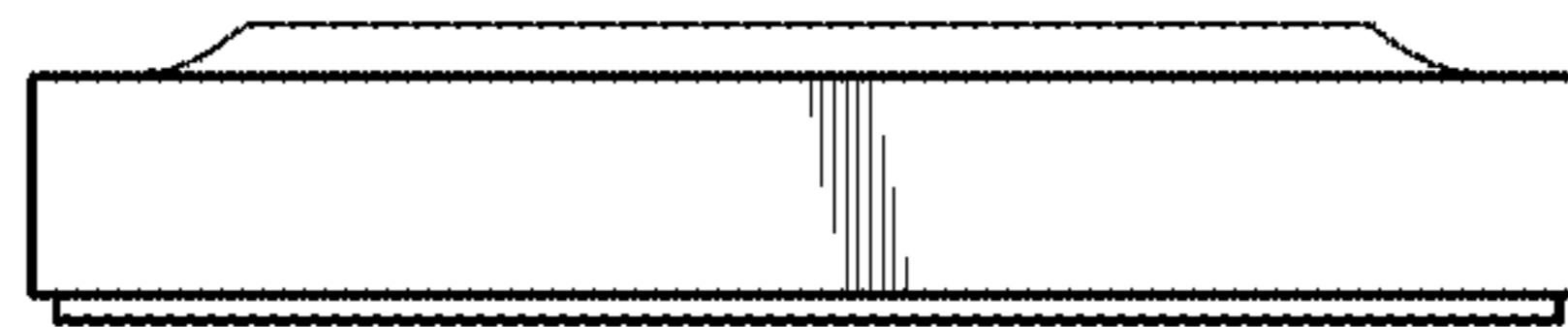


FIG. 5

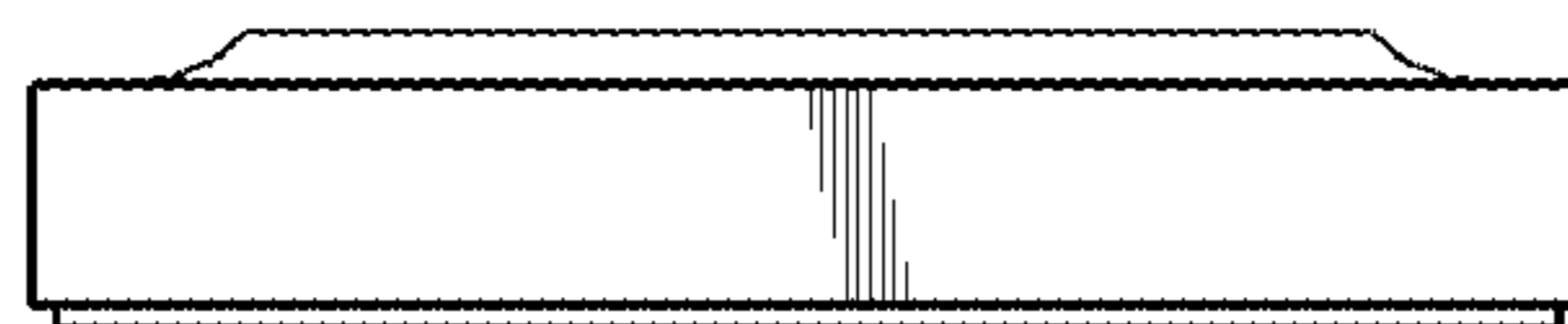


FIG. 6

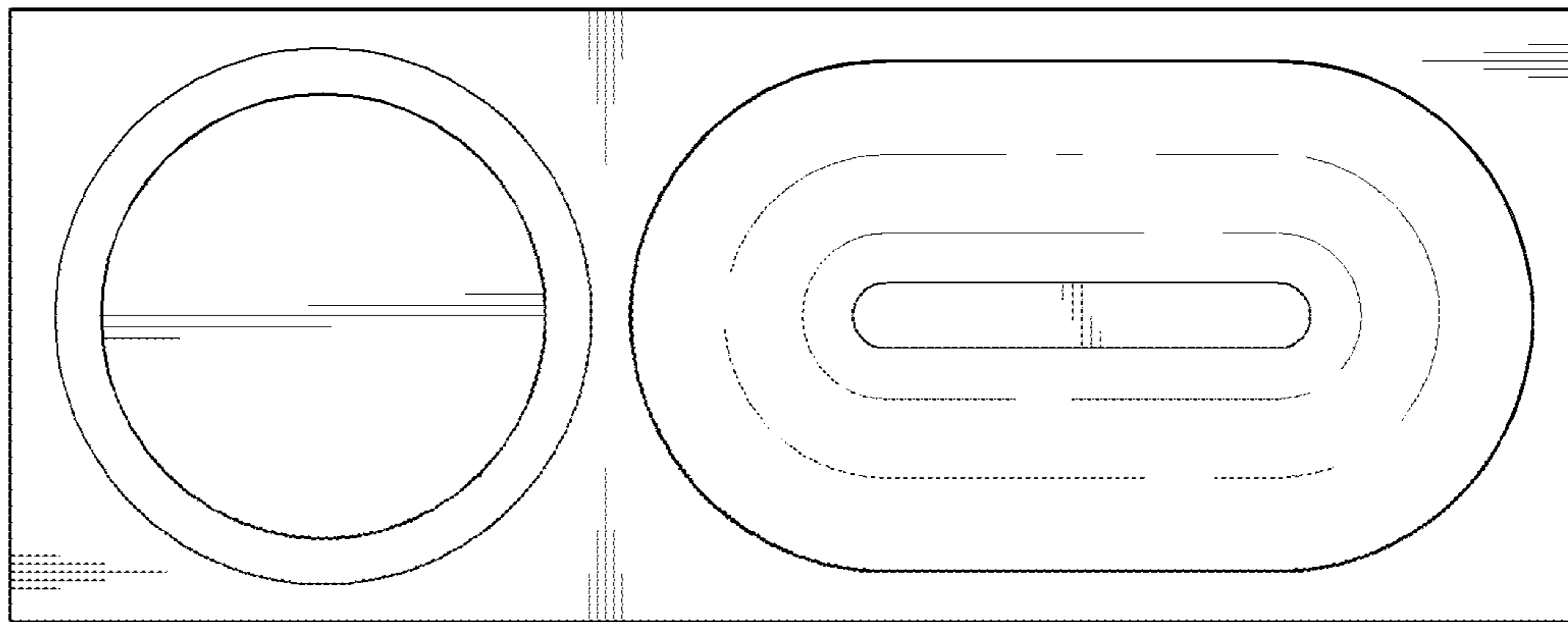


FIG. 7

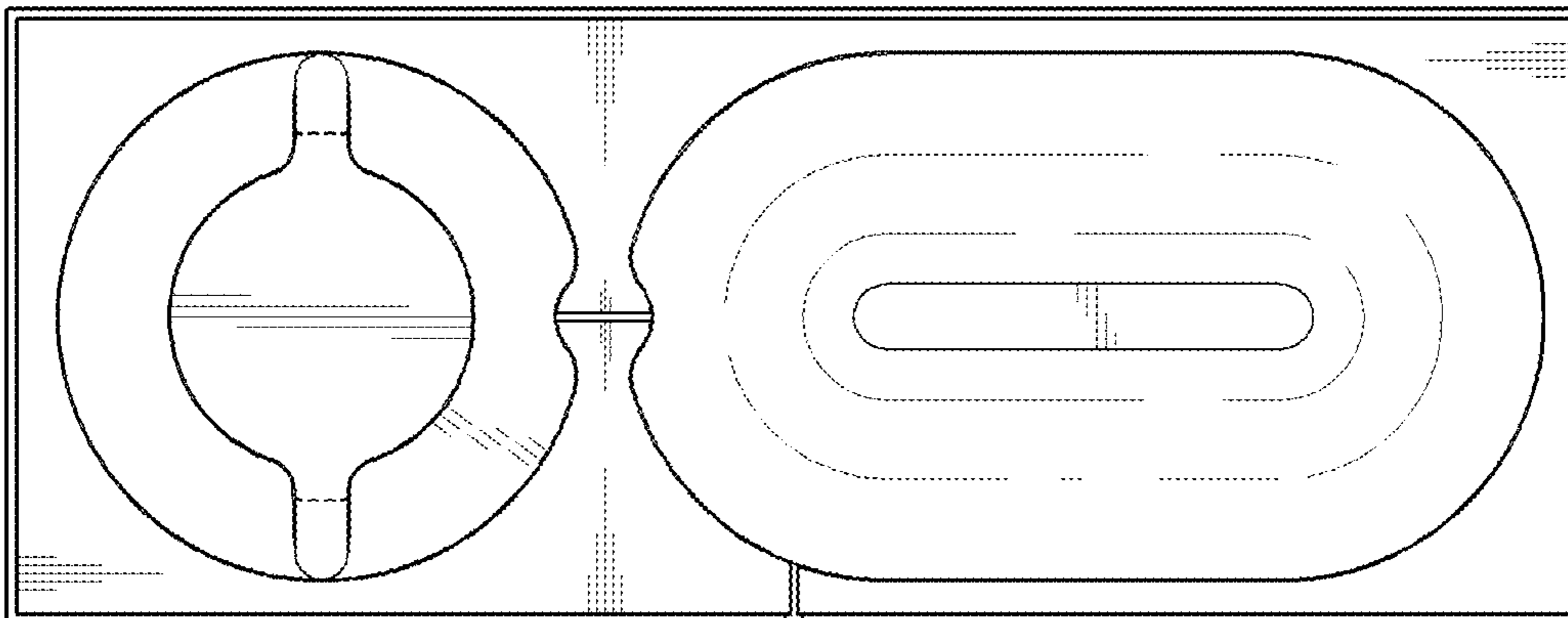


FIG. 8

