



US00D917449S

(12) **United States Design Patent**
Nyholm et al.

(10) **Patent No.:** **US D917,449 S**

(45) **Date of Patent:** **** Apr. 27, 2021**

(54) **BUMPER CASE FOR A MOBILE PHONE**

(71) Applicant: **STM Management Pty Ltd,**
Alexandria (AU)

(72) Inventors: **Ethan Nyholm,** North Bondi (AU);
Jacob Goodridge, Kelvin Grove (AU)

(73) Assignee: **STM MANAGEMENT PTY LTD,**
Alexandria (AU)

(**) Term: **15 Years**

(21) Appl. No.: **29/714,693**

(22) Filed: **Nov. 25, 2019**

(30) **Foreign Application Priority Data**

May 30, 2019 (AU) 201912963

(51) **LOC (13) Cl.** **14-03**

(52) **U.S. Cl.**
USPC **D14/250**

(58) **Field of Classification Search**
USPC D14/217, 238.1, 240, 248, 250, 251–253,
D14/439, 440, 447; D13/107–108, 103,
(Continued)

(56) **References Cited**

U.S. PATENT DOCUMENTS

8,190,222 B2 * 5/2012 Cheng H04M 1/0202
455/575.8

D671,930 S * 12/2012 Akana D14/250
(Continued)

OTHER PUBLICATIONS

“CaseWe—Motorola Moto Z4 Protective Flexible Double Injection Technology [. . .]” [online]. CaseWe. [Date first available Oct. 1, 2019]. Retrieved from the Internet: <<https://www.amazon.com/dp/B07ZTW6G8V/>>.*

(Continued)

Primary Examiner — Mojtaba Tehrani

(74) *Attorney, Agent, or Firm* — Christensen, Fonder,
Dardi & Herbert PLLC

(57) **CLAIM**

The ornamental design of a bumper case for a mobile phone,
as shown and described.

DESCRIPTION

FIG. 1 is a front perspective view of bumper case for a mobile phone, showing our new design;
FIG. 2 is a front elevation view thereof;
FIG. 3 is a back elevation view thereof;
FIG. 4 is an end view thereof;
FIG. 5 is an end view of the bumper case for a mobile phone from the end opposite that of FIG. 3;
FIG. 6 is a side elevation view thereof;
FIG. 7 is a side elevation view of the bumper case for a mobile phone from a side opposite that of FIG. 6;
FIG. 8 is a perspective view of an alternate positioning of a side member of the bumper case for a mobile phone;
FIG. 9 is a side detailed perspective of the top connection portion of the bumper case for a mobile phone, taken from the outside;
FIG. 10 is a side detailed perspective of the bottom connection portion of the bumper case for a mobile phone, taken from the outside;
FIG. 11 is a side detailed perspective of the top connection portion of the bumper case for a mobile phone, taken from the inside; and,
FIG. 12 is a side detailed perspective of the bottom connection portion of the bumper case for a mobile phone, taken from the inside.
The broken lines in FIGS. 9-12 depict unclaimed boundary of the detailed views only and form no part of the claimed design.

1 Claim, 7 Drawing Sheets

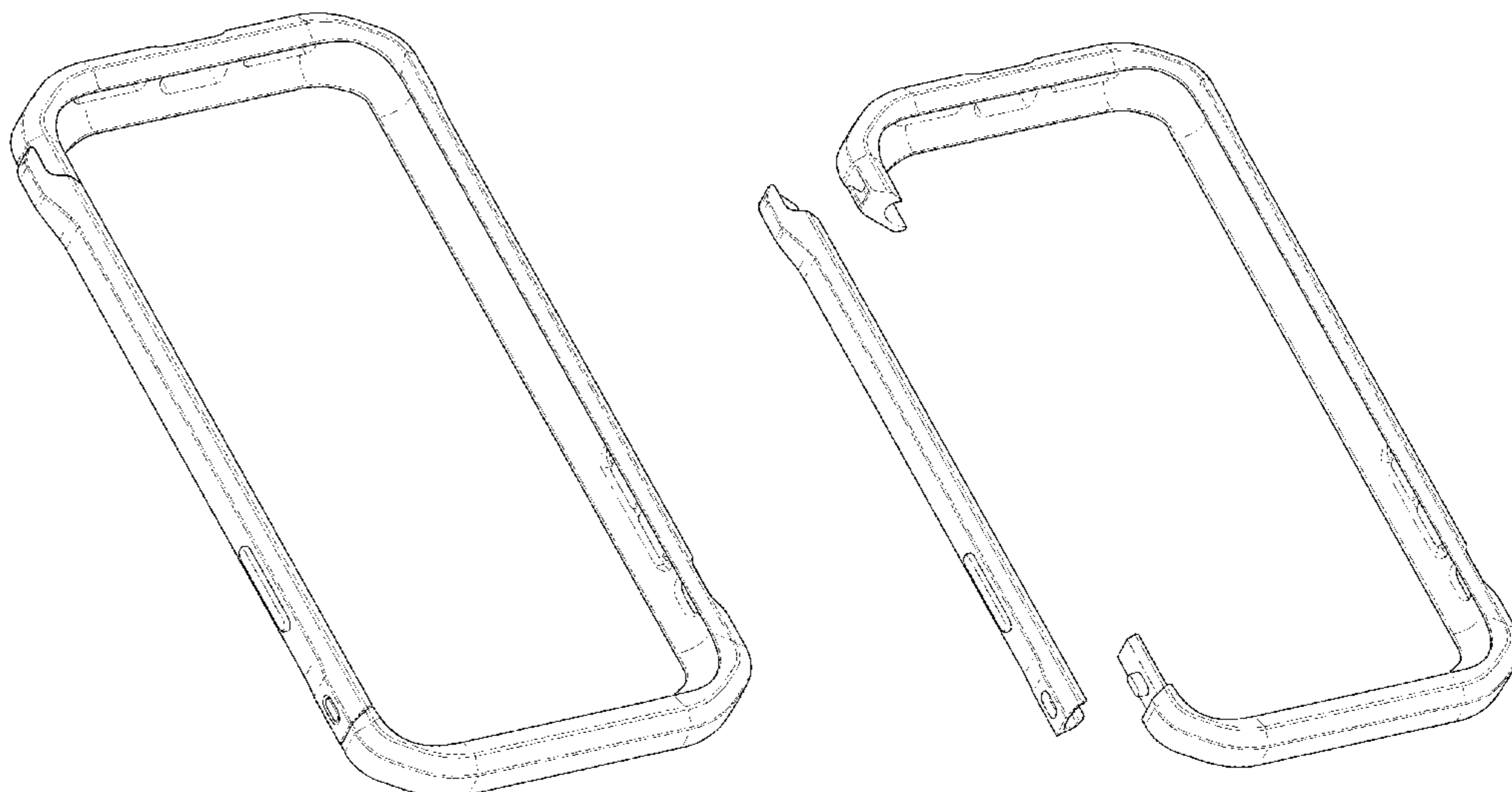




Fig. 1

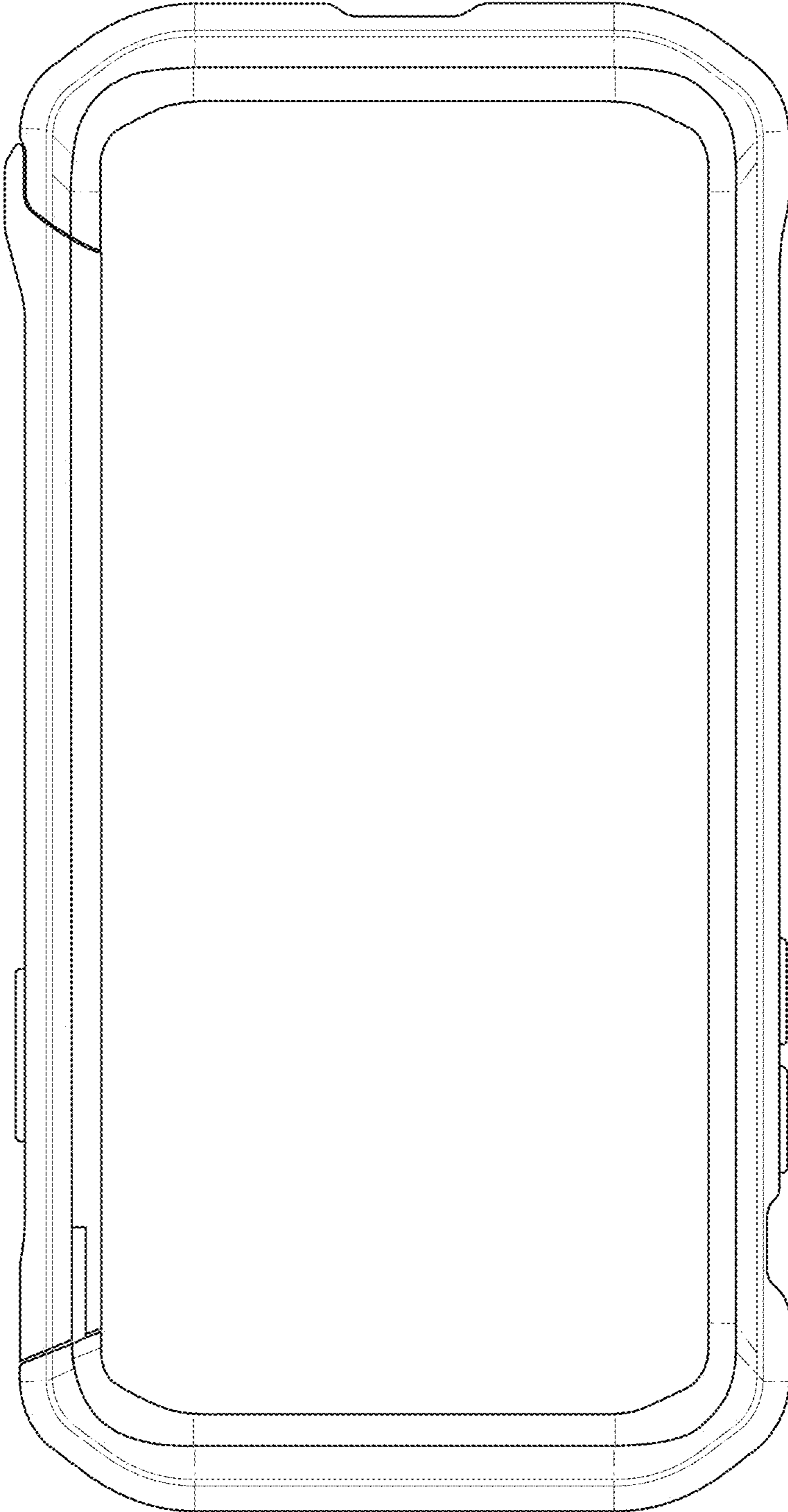


Fig. 2

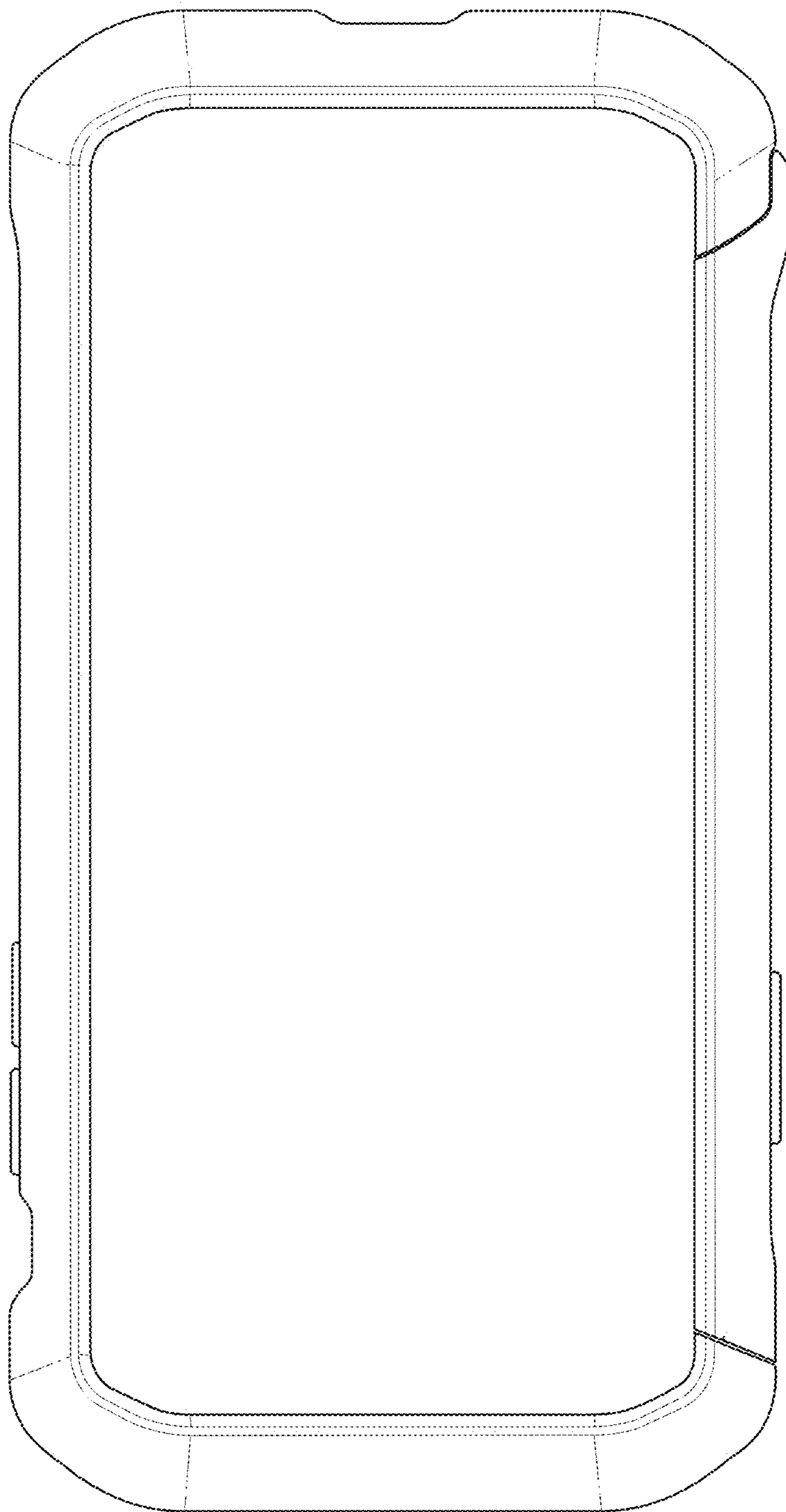


Fig. 3

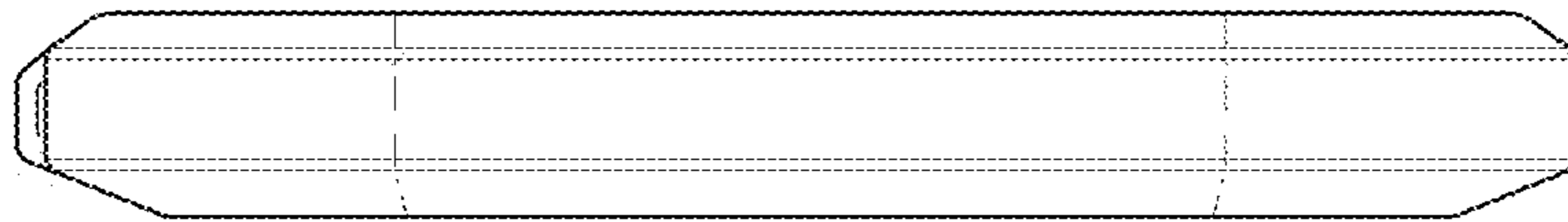


Fig. 4

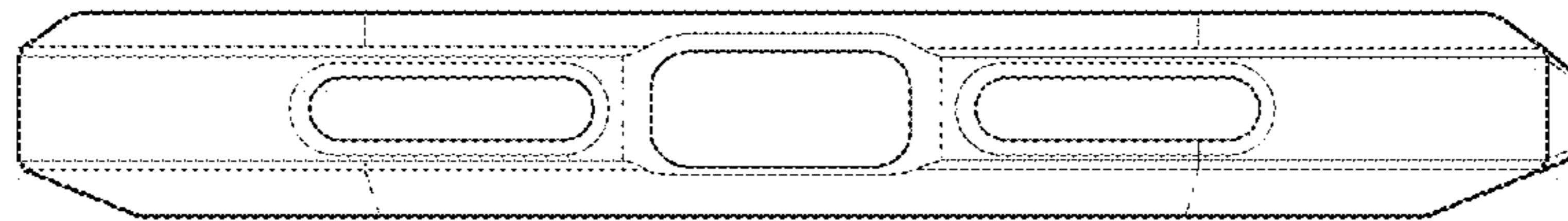


Fig. 5

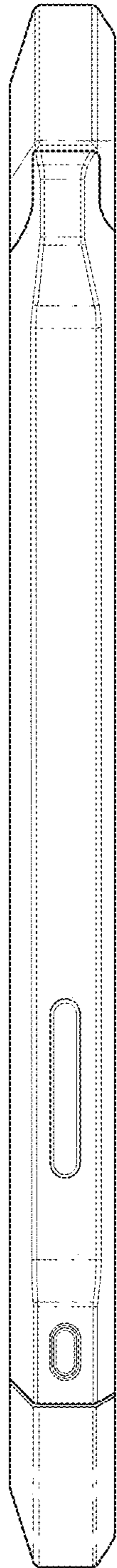


Fig. 6

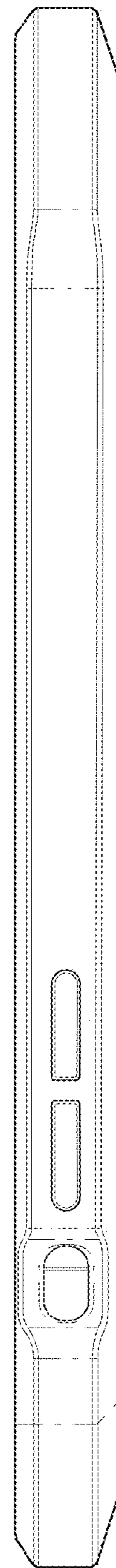


Fig. 7

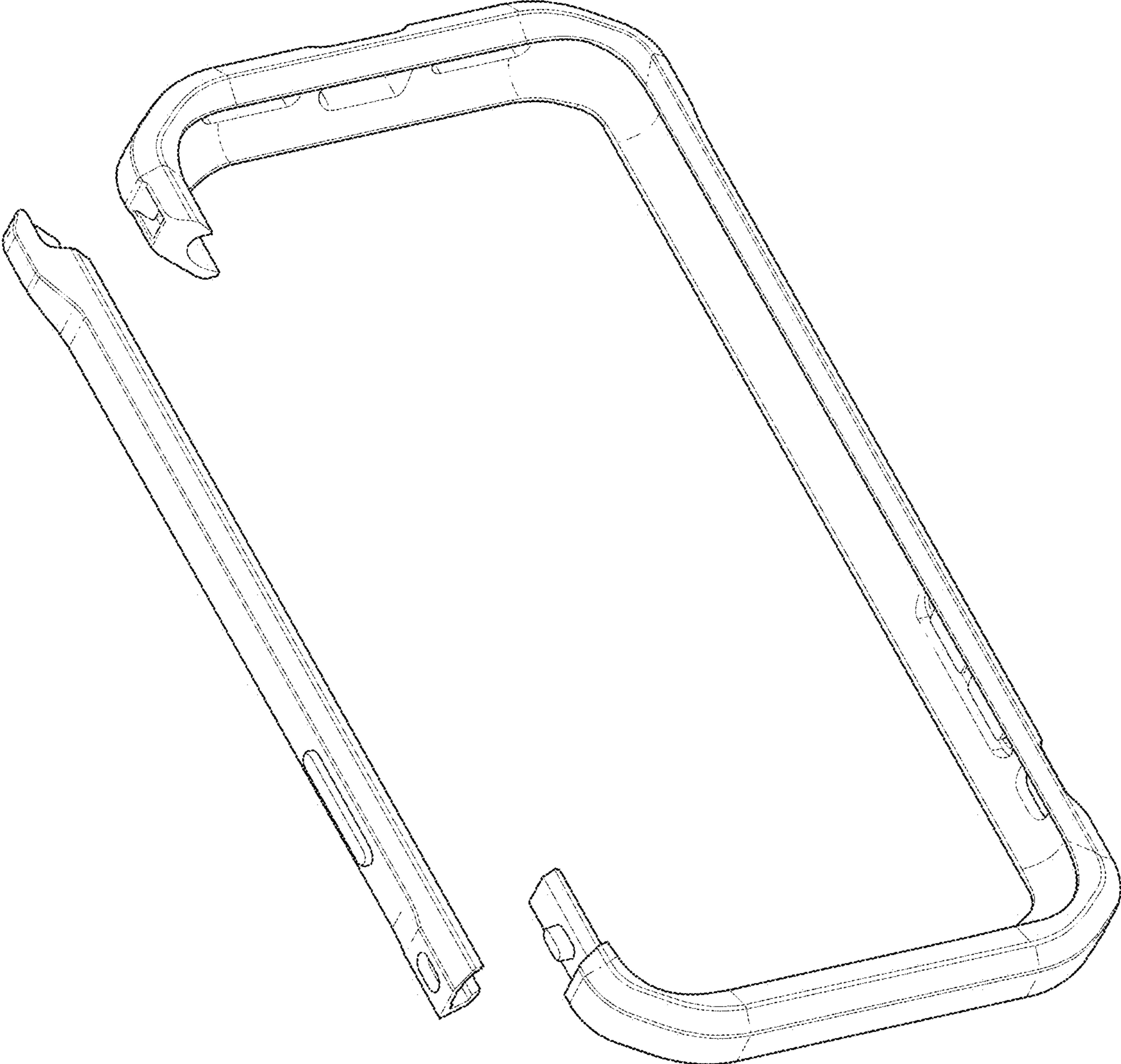


Fig. 8

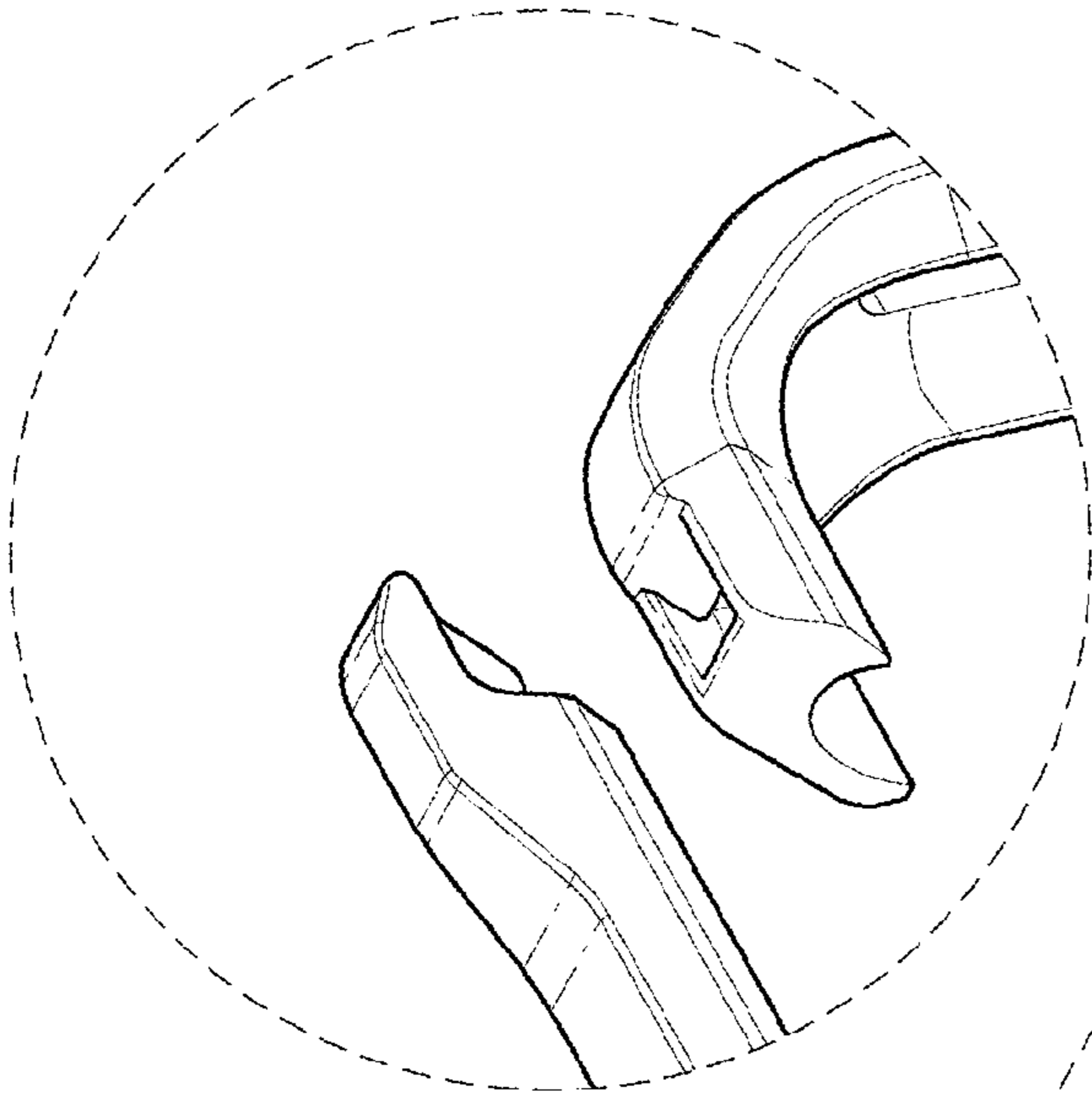


Fig. 9

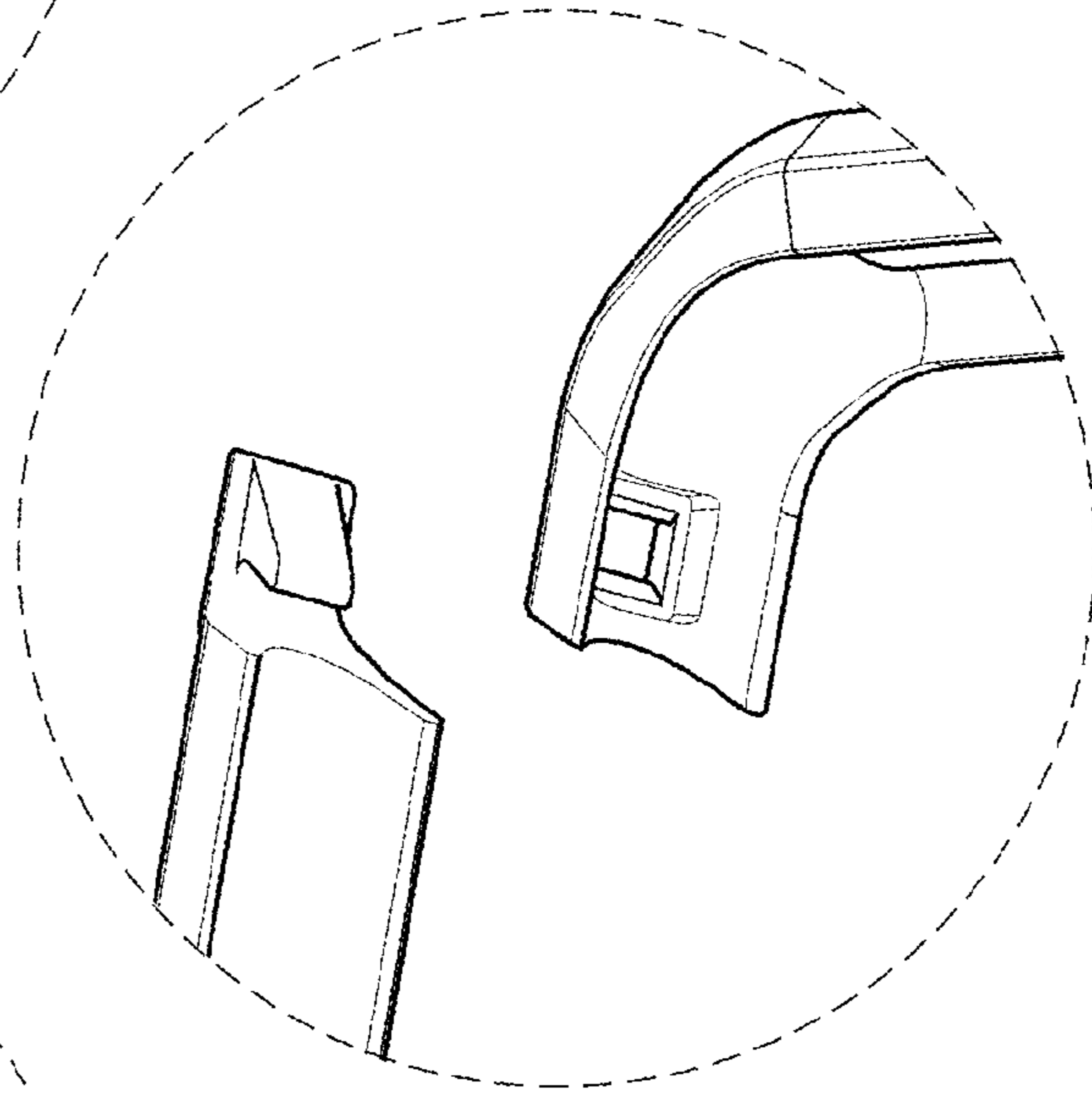


Fig. 11

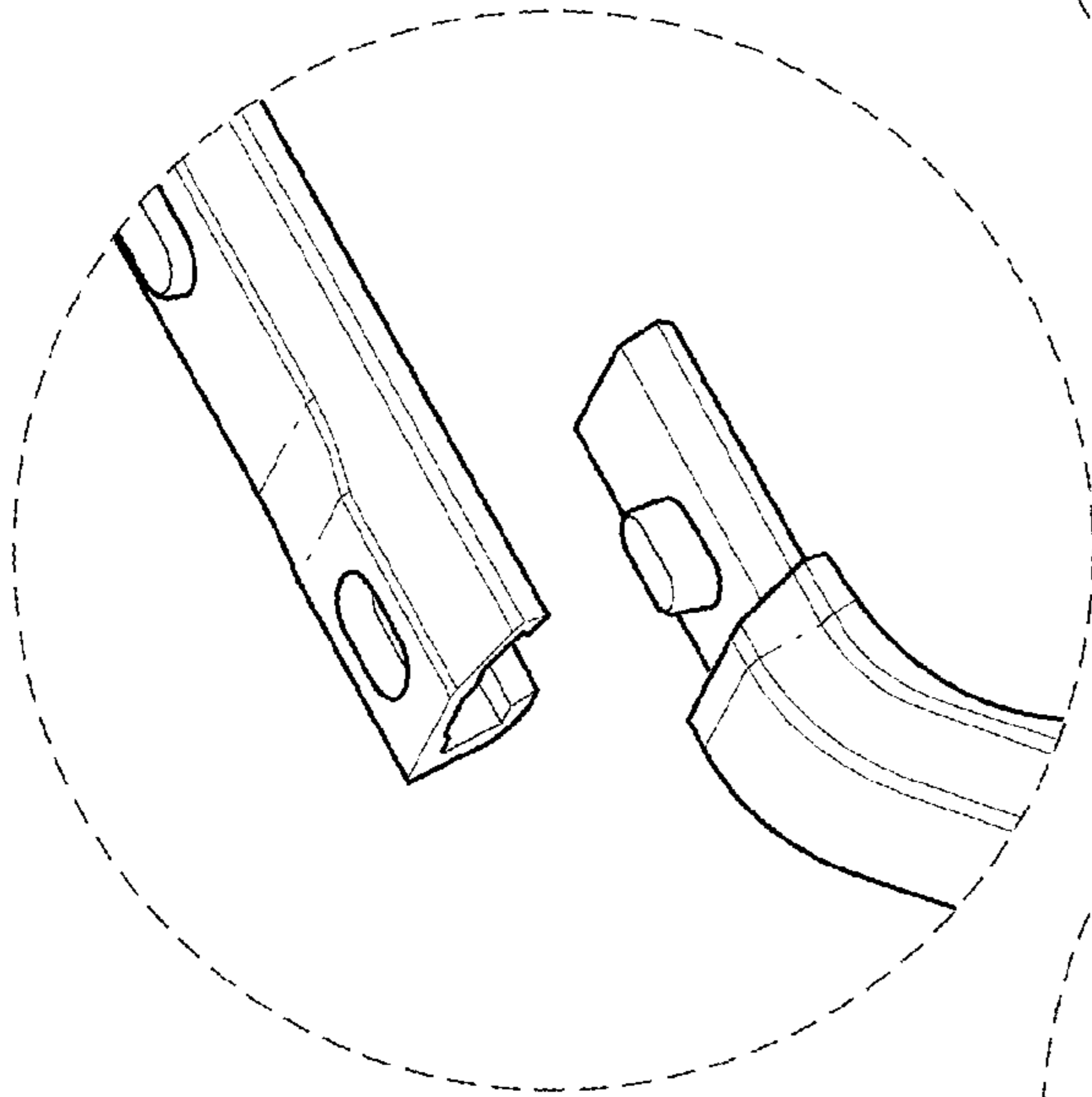


Fig. 10

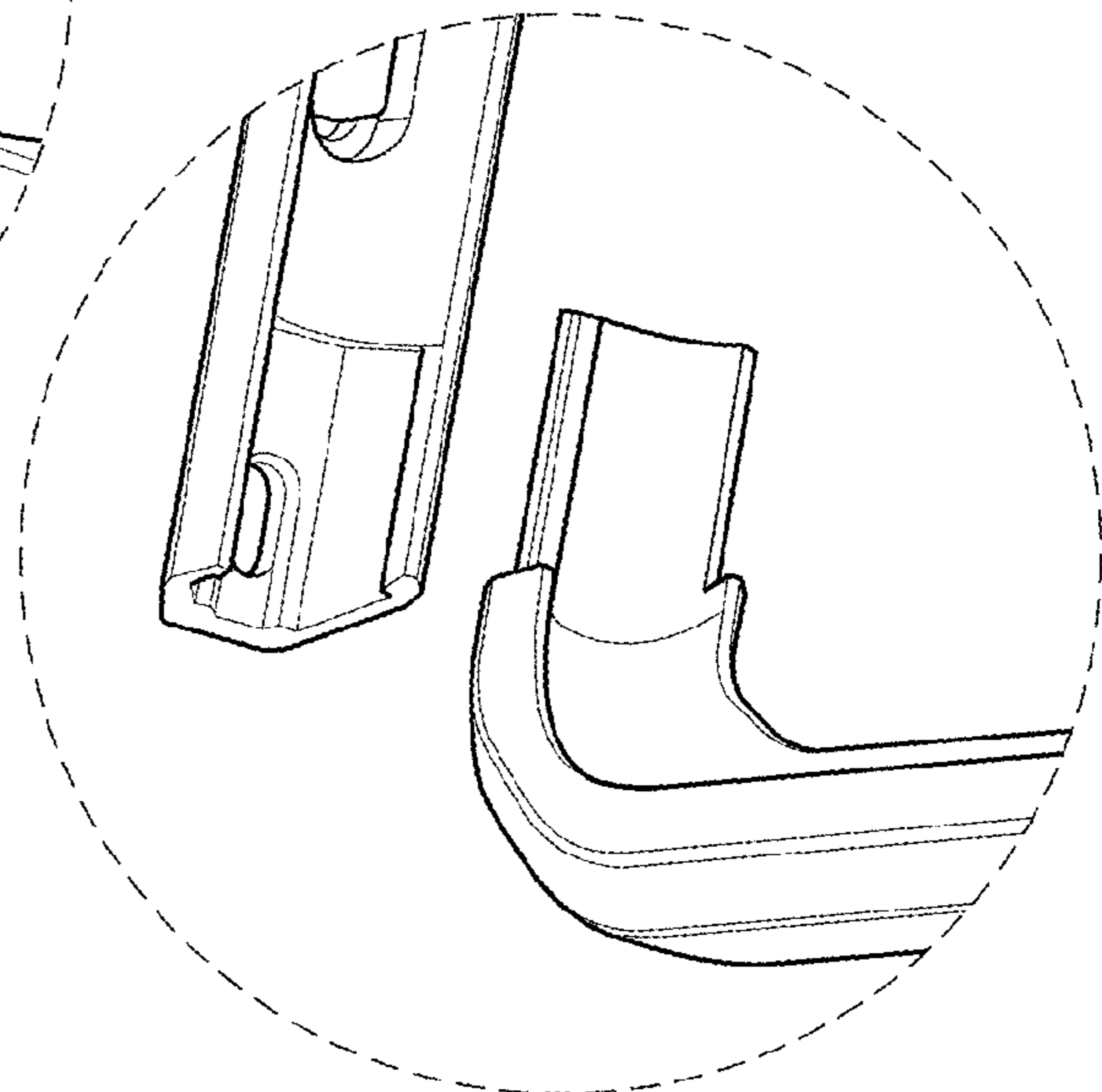


Fig. 12