



US00D917446S

(12) **United States Design Patent**
Ham et al.

(10) **Patent No.:** **US D917,446 S**
(45) **Date of Patent:** **** Apr. 27, 2021**

(54) **CASE FOR PORTABLE ELECTRONIC DEVICE**

Retrieved from the Internet: <<https://www.amazon.com/dp/B07V49C847/>>.*

(Continued)

(71) Applicant: **SAMSUNG ELECTRONICS CO., LTD.**, Suwon-si (KR)

Primary Examiner — Mojtaba Tehrani

(74) *Attorney, Agent, or Firm* — Cantor Colburn LLP

(72) Inventors: **Sunwoong Ham**, Suwon-si (KR);
Hyunkeun Son, Suwon-si (KR);
Bumsoo Park, Suwon-si (KR)

(57) **CLAIM**

The ornamental design for a case for portable electronic device, as shown and described.

(73) Assignee: **SAMSUNG ELECTRONICS CO., LTD.**, Gyeonggi-do (KR)

DESCRIPTION

(**) Term: **15 Years**

FIG. 1 is a front perspective view of a first embodiment of a case for portable electronic device, showing our new design;

(21) Appl. No.: **29/714,622**

FIG. 2 is a front view thereof;

(22) Filed: **Nov. 25, 2019**

FIG. 3 is a rear view thereof;

(30) **Foreign Application Priority Data**

Jun. 14, 2019 (KR) 30-2019-0028381

FIG. 4 is a left-side view thereof;

(51) **LOC (13) Cl.** **14-03**

FIG. 5 is a right-side view thereof;

(52) **U.S. Cl.**
USPC **D14/250**

FIG. 6 is a top view thereof;

(58) **Field of Classification Search**
USPC D14/217, 238.1, 240, 248, 250, 251–253,
D14/439, 440, 447; D13/107–108, 103,
(Continued)

FIG. 7 is a bottom view thereof;

FIG. 8 is a rear perspective view thereof;

FIG. 9 is another front perspective view thereof in an alternate position;

FIG. 10 is a front perspective view of a second embodiment of a case for portable electronic device, showing our new design;

FIG. 11 is a front view thereof;

FIG. 12 is a rear view thereof;

FIG. 13 is a left-side view thereof;

FIG. 14 is a right-side view thereof;

FIG. 15 is a top view thereof;

FIG. 16 is a bottom view thereof;

FIG. 17 is a rear perspective view thereof; and,

FIG. 18 is another front perspective view thereof in an alternate position.

The broken lines in the figures depict portions of the case for portable electronic device that form no part of the claimed design.

(56) **References Cited**

U.S. PATENT DOCUMENTS

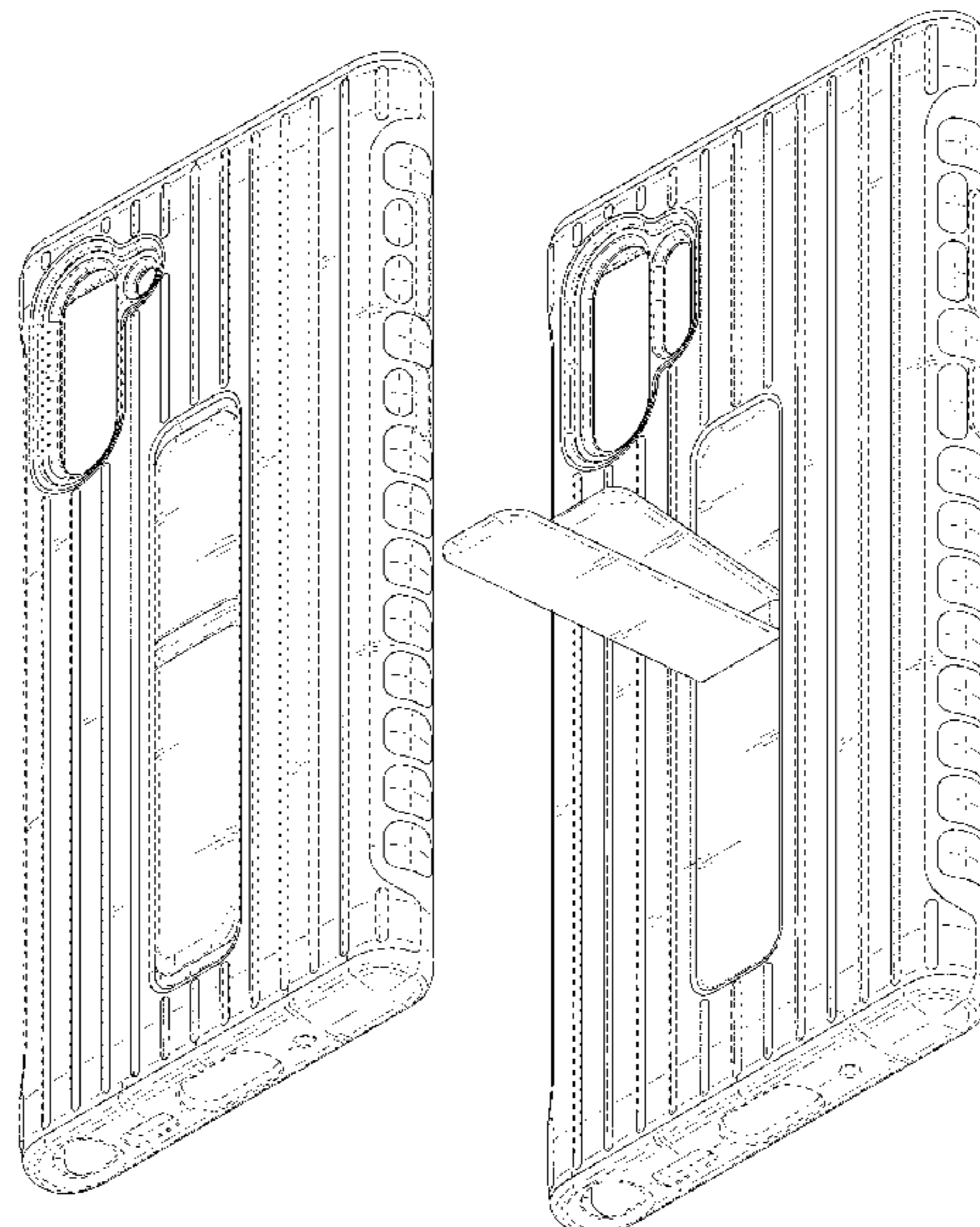
D648,332 S * 11/2011 Kim D14/248
D678,327 S * 3/2013 Lee D14/496

(Continued)

OTHER PUBLICATIONS

“Samsung Galaxy Note10+ Case, Rugged Drop Protection Cover [. . .]” [online]. Samsung. [Date first available Aug. 8, 2019].

1 Claim, 14 Drawing Sheets



(58) **Field of Classification Search**

USPC D13/119; D3/201, 218, 247, 269, 273,
D3/301, 303
CPC H04B 1/3888; H04M 1/0283; H04M
1/0202; A45C 1/06; A45C 11/00; A45C
13/02; A45C 2011/002; A45F 2005/026;
A45F 2200/0525; A45F 2200/0516
See application file for complete search history.

(56) **References Cited**

U.S. PATENT DOCUMENTS

D682,242 S * 5/2013 Yoo D14/138 AA
D695,728 S * 12/2013 Shi D14/248
D695,729 S * 12/2013 Shi D14/248
D709,484 S * 7/2014 Yoo D14/250
D734,250 S * 7/2015 Rennick D13/107
D776,105 S * 1/2017 Han D14/250
D791,754 S * 7/2017 Armstrong D14/250
D807,579 S * 1/2018 Wu D27/189
D847,807 S * 5/2019 Wright D14/250
D851,033 S * 6/2019 Yuk D13/108
D860,933 S * 9/2019 Sun D13/108
D861,665 S * 10/2019 Li D14/250
D863,277 S * 10/2019 Payne D14/250

D879,760 S * 3/2020 Altschul D14/250
D888,660 S * 6/2020 Jen D13/108
D890,698 S * 7/2020 Liu D13/108
D896,209 S * 9/2020 Jannard D14/248
D898,012 S * 10/2020 Kim D14/250
D898,016 S * 10/2020 Liang D14/250
D898,667 S * 10/2020 Liu D13/108
D898,724 S * 10/2020 Kim D14/250
D898,727 S * 10/2020 Ahn D14/250
D901,478 S * 11/2020 Yoon D14/250
2013/0050914 A1* 2/2013 Shi H04M 1/0202
361/679.01
2013/0058016 A1* 3/2013 Shi G02B 3/005
361/679.01
2015/0156297 A1* 6/2015 Crawford H02J 50/10
455/26.1

OTHER PUBLICATIONS

“Corrugated Cardboard iPhone Case & Cover” [online]. pjwuebker.
[Retrieved on Nov. 21, 2020]. Retrieved from the Internet: <<https://www.redbubble.com/i/iphone-case/Corrugated-Cardboard-by-pjwuebker/9669944.PM7U2>>.*

* cited by examiner

FIG. 1

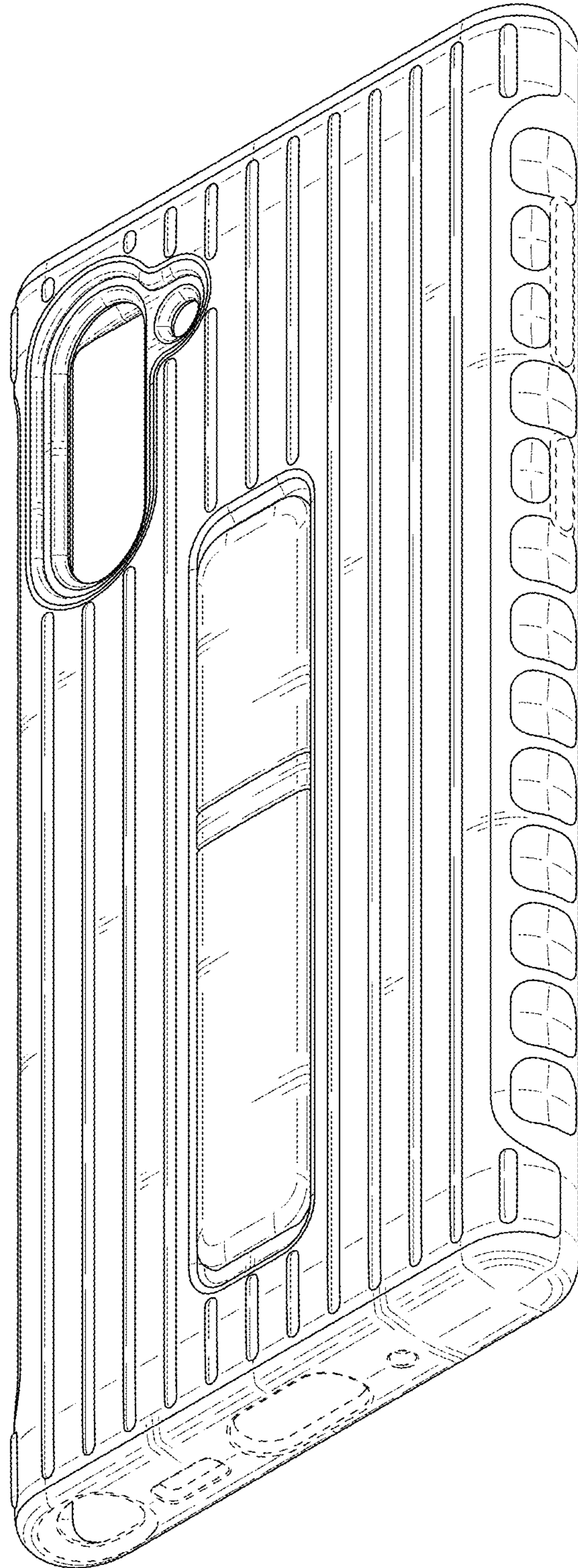


FIG. 2

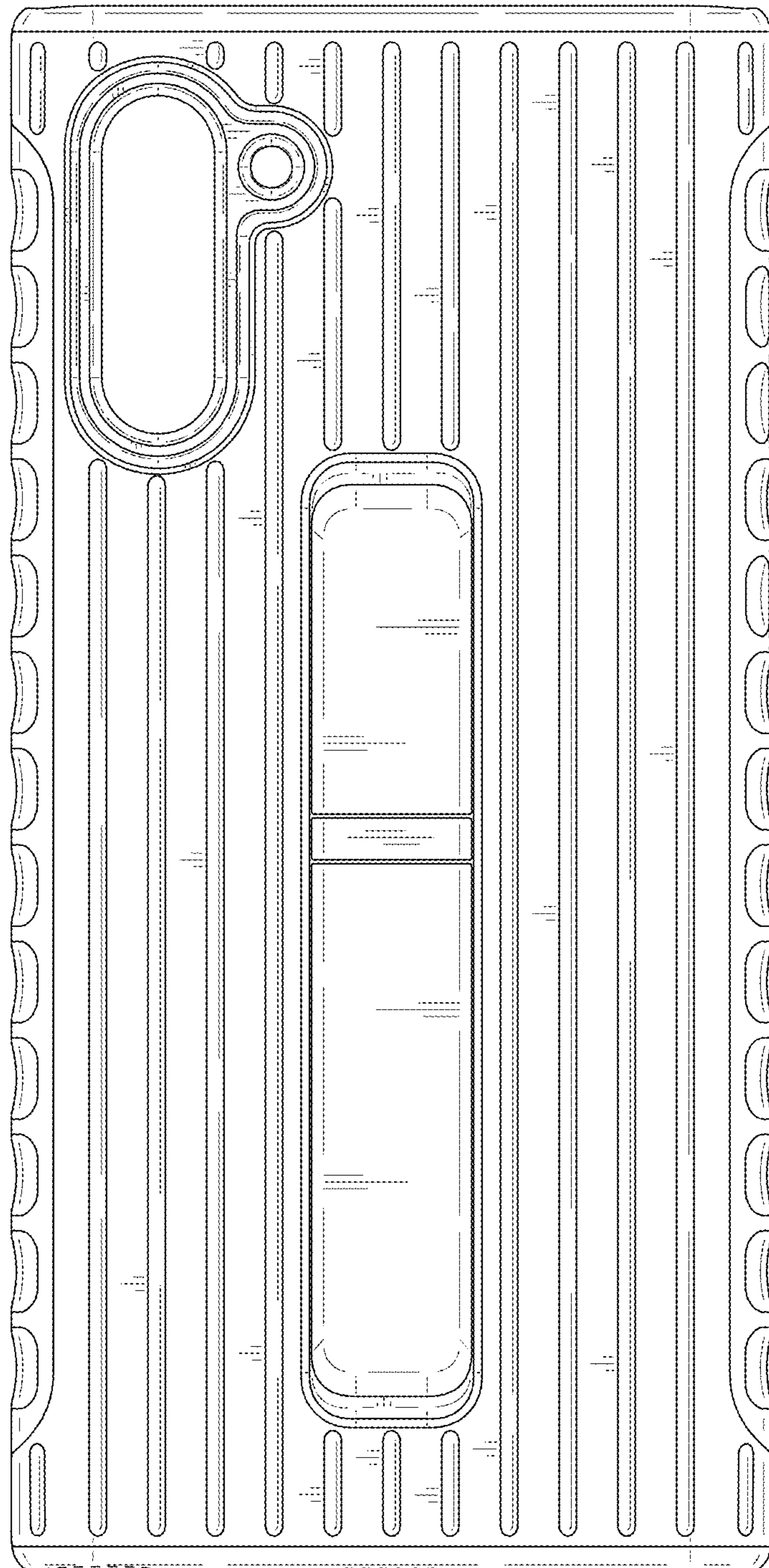


FIG. 3

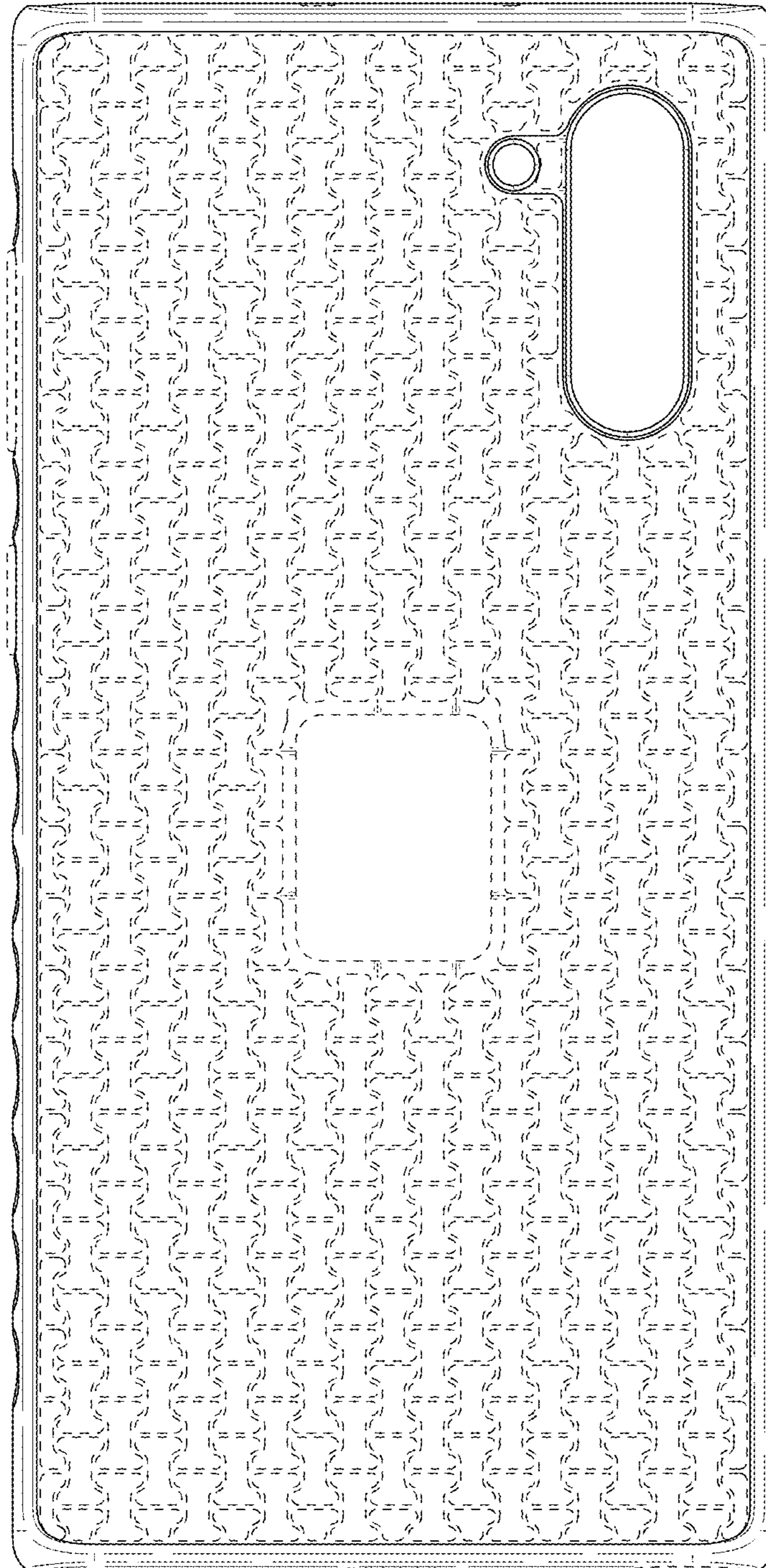


FIG. 4

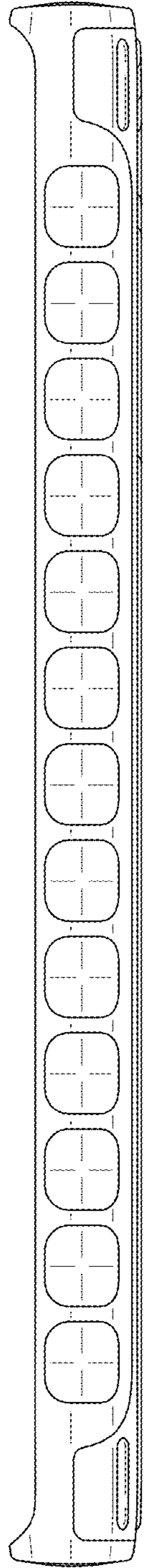


FIG. 5

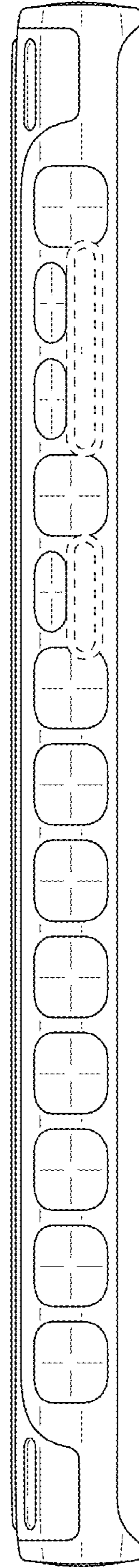


FIG. 6

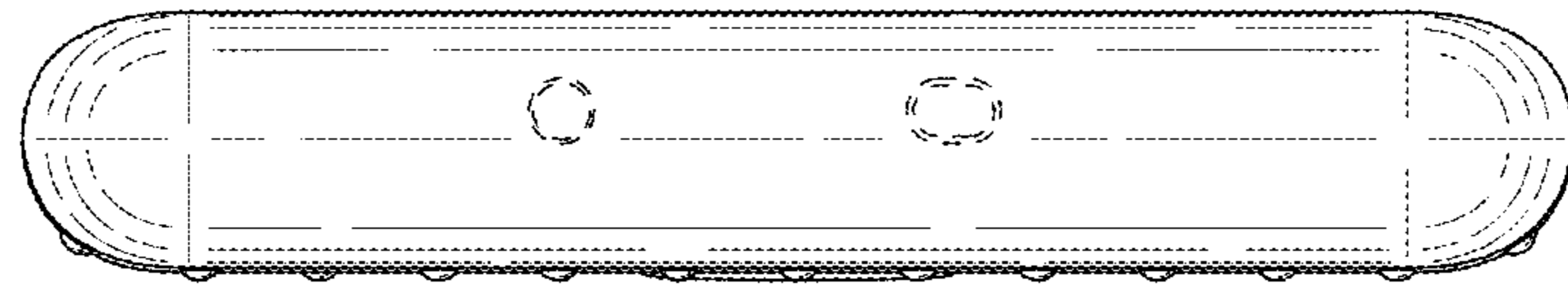


FIG. 7

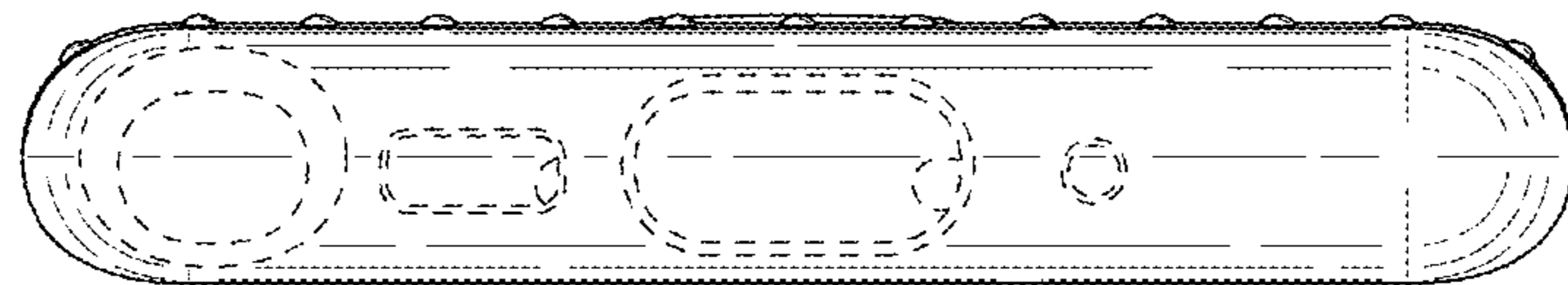


FIG. 8

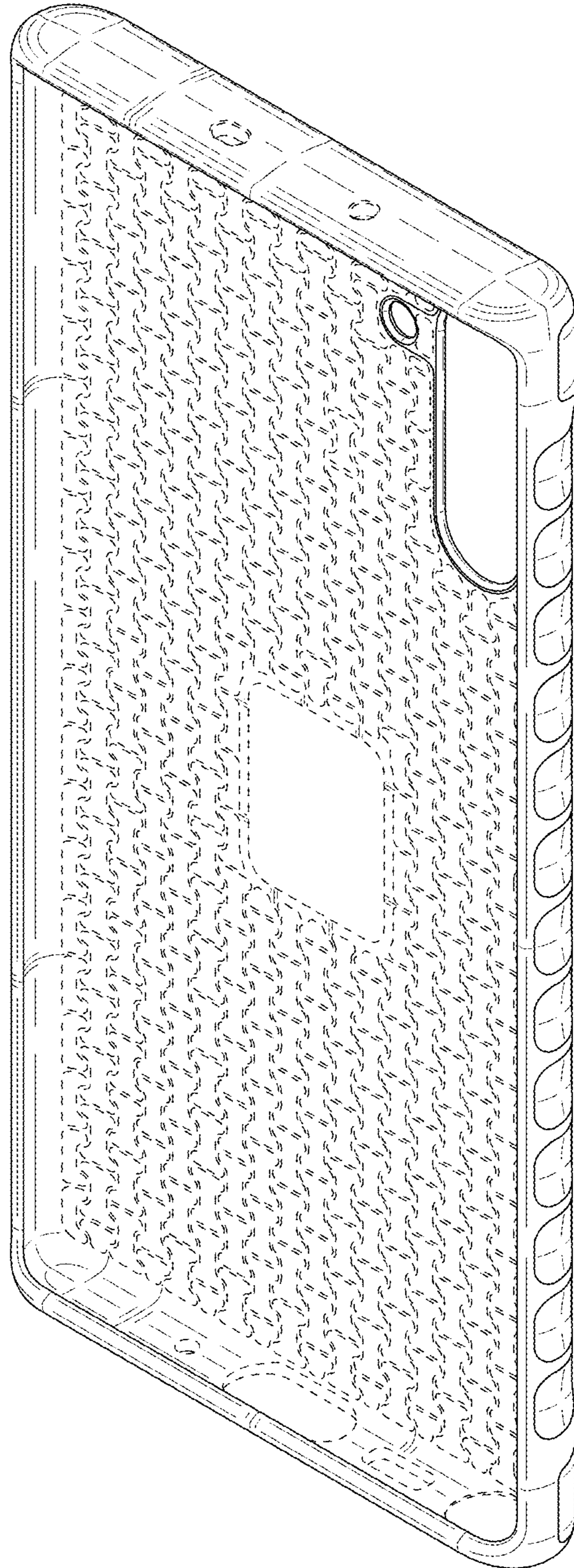


FIG. 9

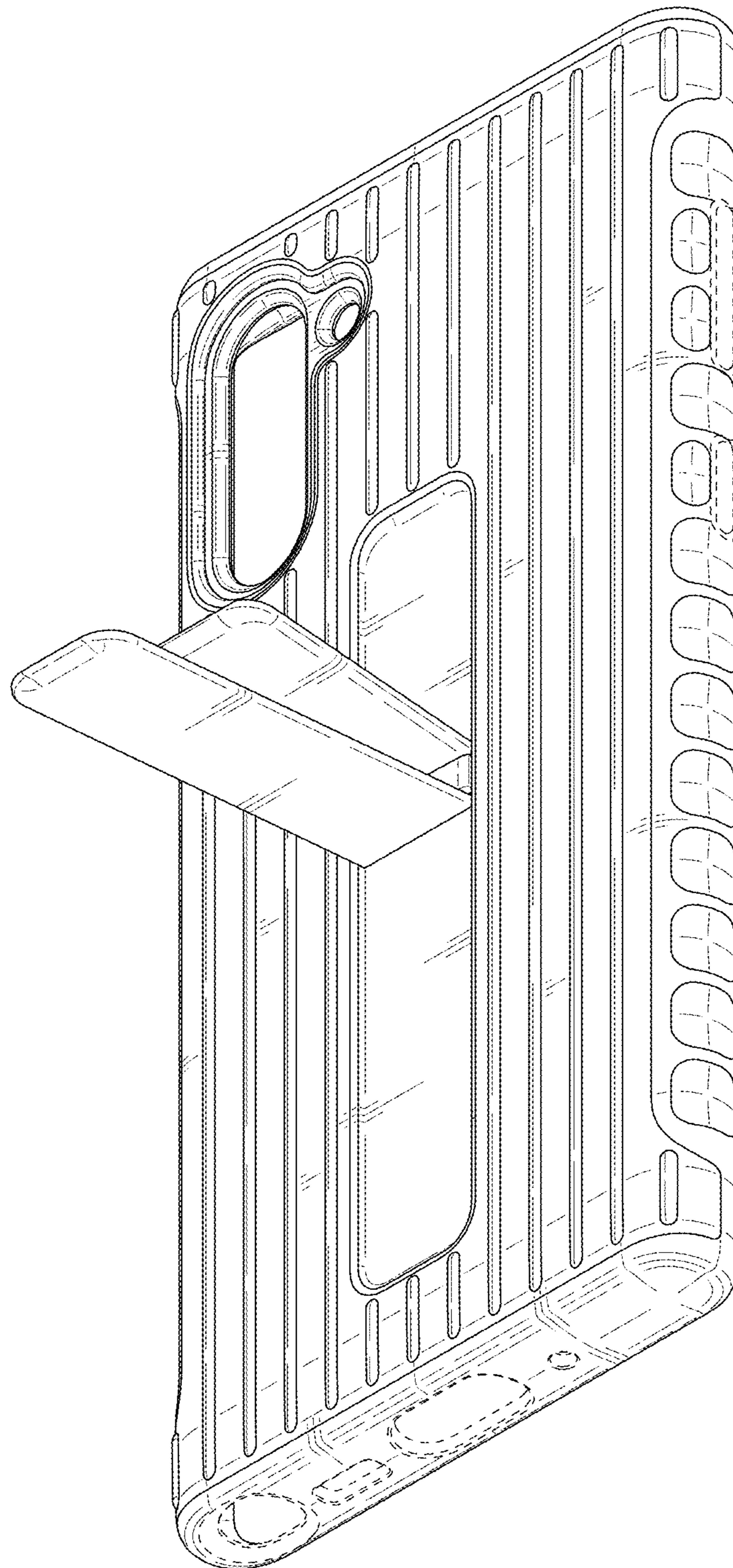


FIG. 10

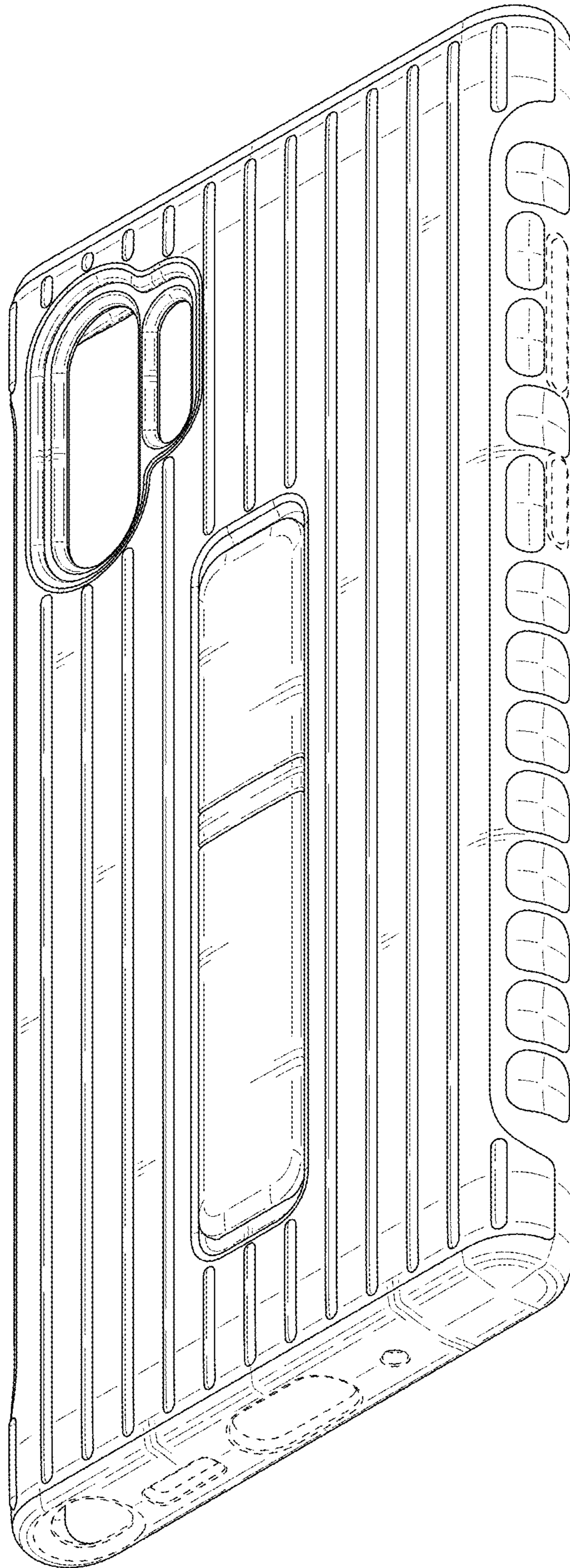


FIG. 11

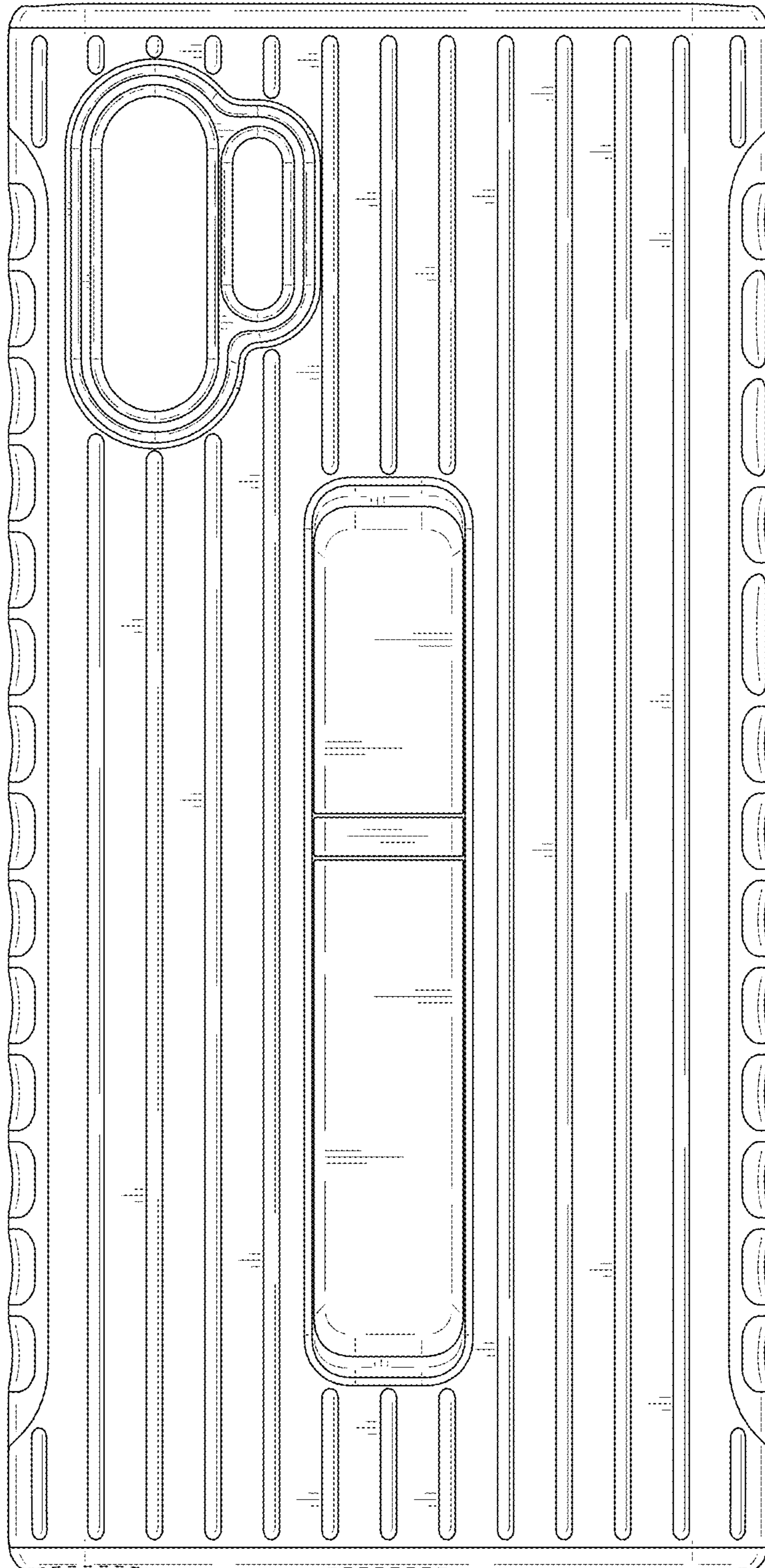


FIG. 12

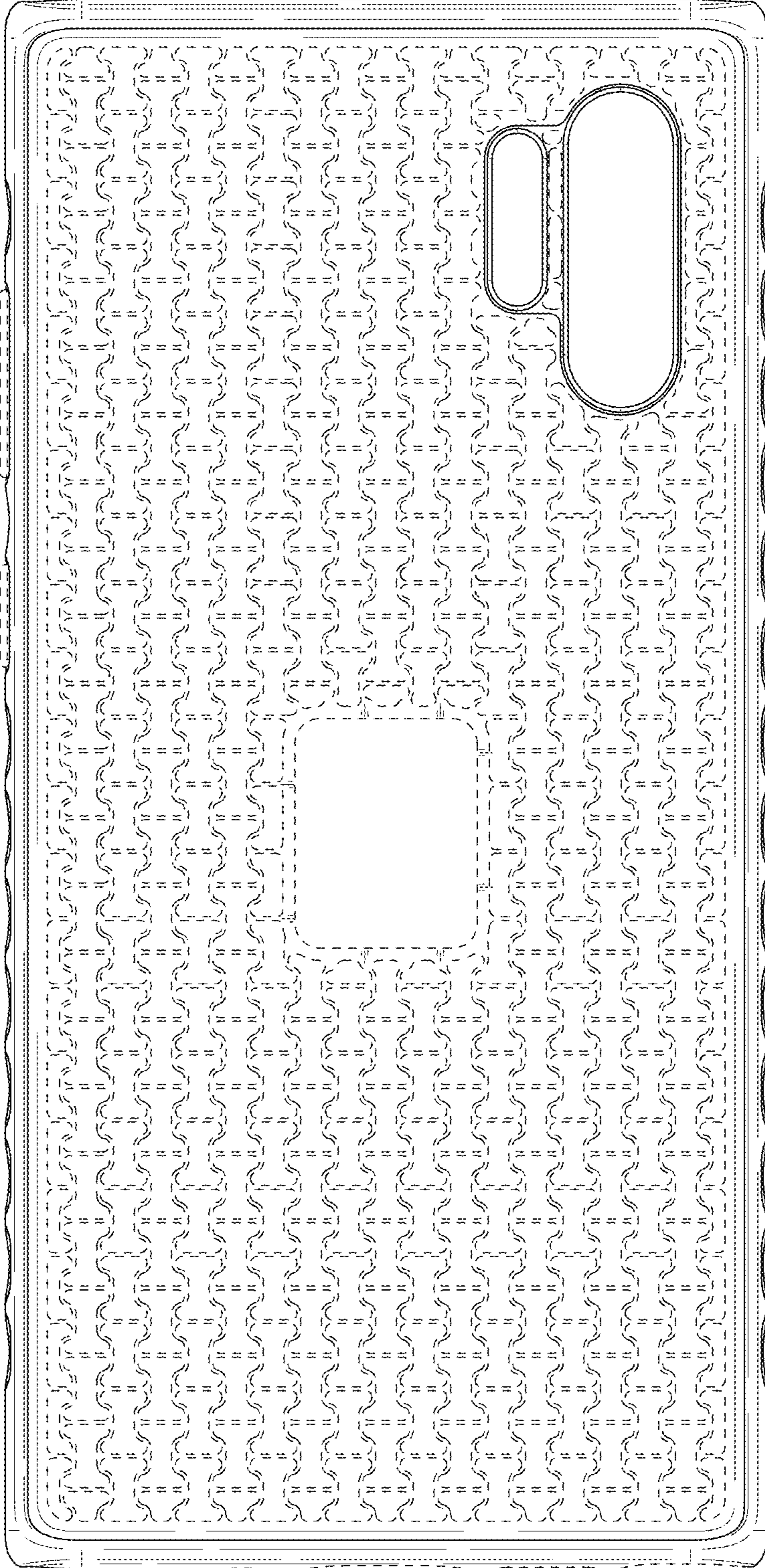


FIG. 13

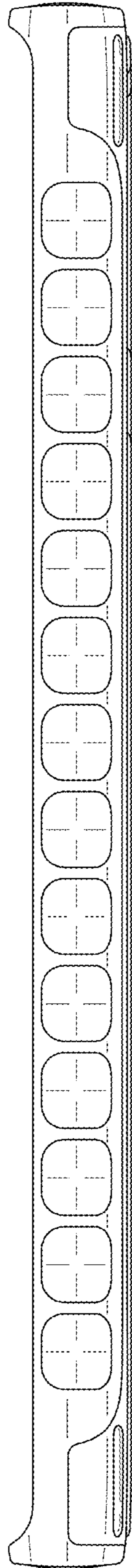


FIG. 14

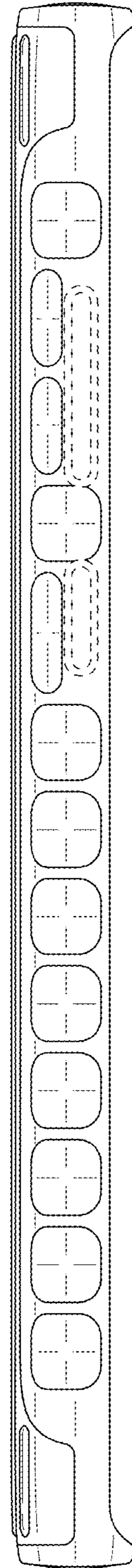


FIG. 15

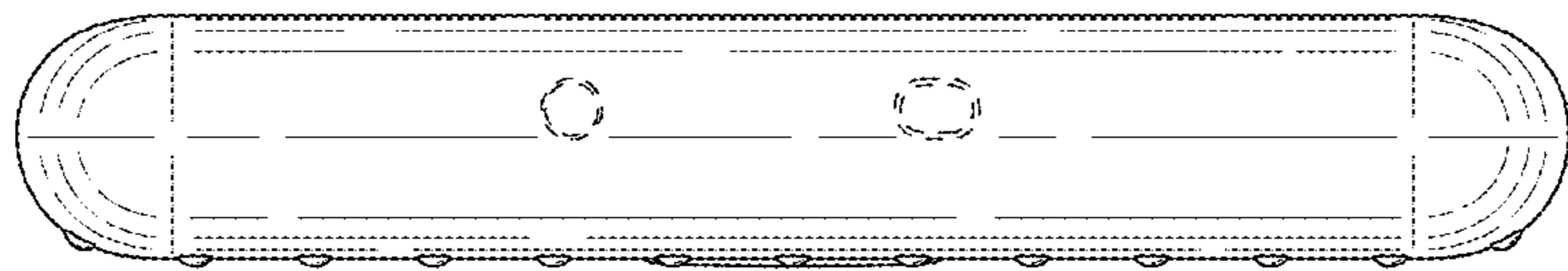


FIG. 16

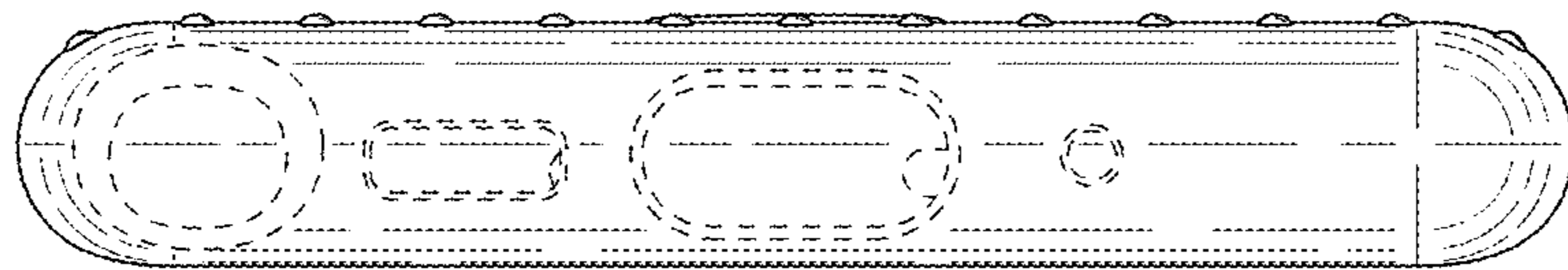


FIG. 17

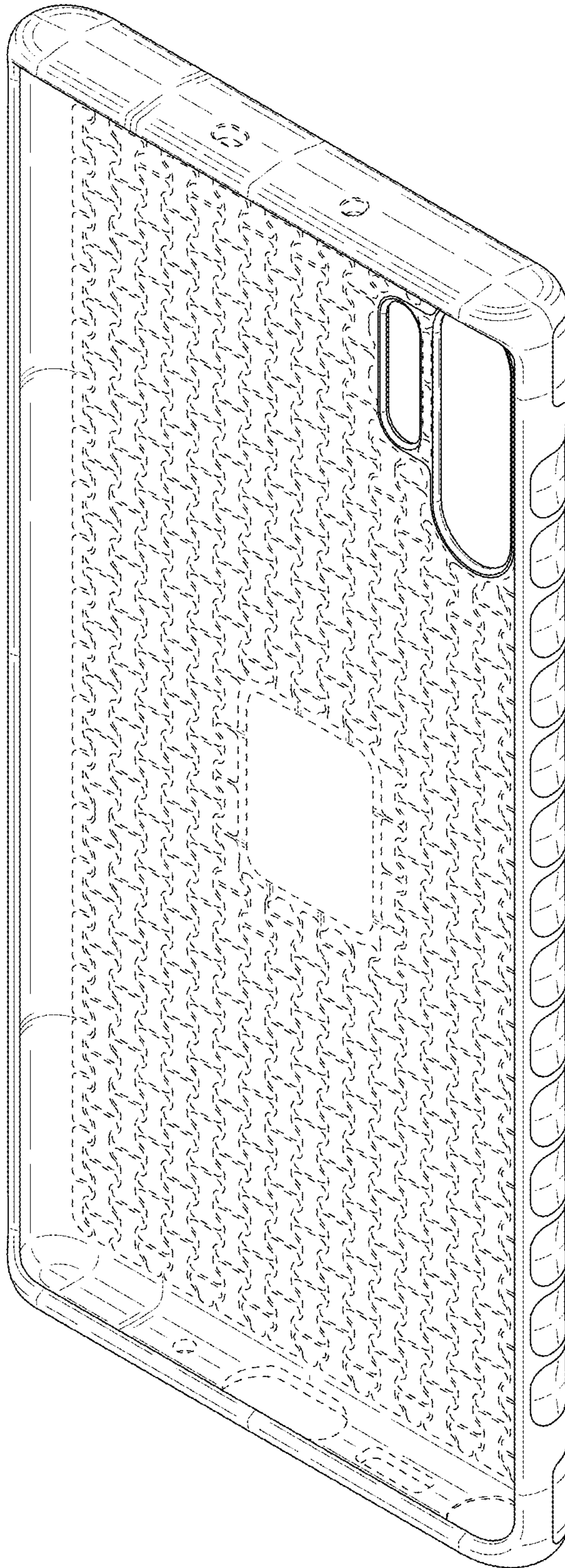


FIG. 18

