



US00D917444S

(12) **United States Design Patent** (10) **Patent No.:** **US D917,444 S**
Weng (45) **Date of Patent:** **** Apr. 27, 2021**

(54) **PROTECTIVE CASE FOR A MOBILE COMMUNICATION DEVICE**

(71) Applicant: **SHENZHEN GUANGYIPENG TECHNOLOGY CO., LTD.**, Shenzhen (CN)

(72) Inventor: **Jie Weng**, Shenzhen (CN)

(73) Assignee: **SHENZHEN GUANGYIPENG TECHNOLOGY CO., LTD.**, Shenzhen (CN)

(**) Term: **15 Years**

(21) Appl. No.: **29/709,889**

(22) Filed: **Oct. 18, 2019**

(51) **LOC (13) Cl.** **14-03**

(52) **U.S. Cl.**
USPC **D14/250**

(58) **Field of Classification Search**
USPC D14/217, 238.1, 240, 248, 250, 251–253, D14/439, 440, 447; D13/107–108, 103, D13/119; D3/201, 218, 247, 269, 273, D3/301, 303
CPC H04B 1/3888; H04M 1/0283; H04M 1/0202; A45C 1/06; A45C 11/00; A45C 13/02; A45C 2011/002; A45F 2005/026; A45F 2200/0525; A45F 2200/0516
See application file for complete search history.

(56) **References Cited**

U.S. PATENT DOCUMENTS

D589,505 S *	3/2009	He	D14/248
D606,532 S *	12/2009	de Jong	D14/250
D687,427 S *	8/2013	Peterson	D14/250
D704,684 S *	5/2014	Yeh	D14/248
D704,685 S *	5/2014	Yeh	D14/248

(Continued)

OTHER PUBLICATIONS

“Kumtzo Compatible iPhone XR Case, Crystal Clear Slim Diamond Pattern Soft TPU [. . .]” [online]. Kumtzo. [Date first available Apr. 2, 2019]. Retrieved from the Internet: <https://www.amazon.com/KUMTZO-Compatible-Anti-Scratch-Shockproof-Protective/dp/B07Q9K2WVD/>.*

Primary Examiner — Mojtaba Tehrani

(57) **CLAIM**

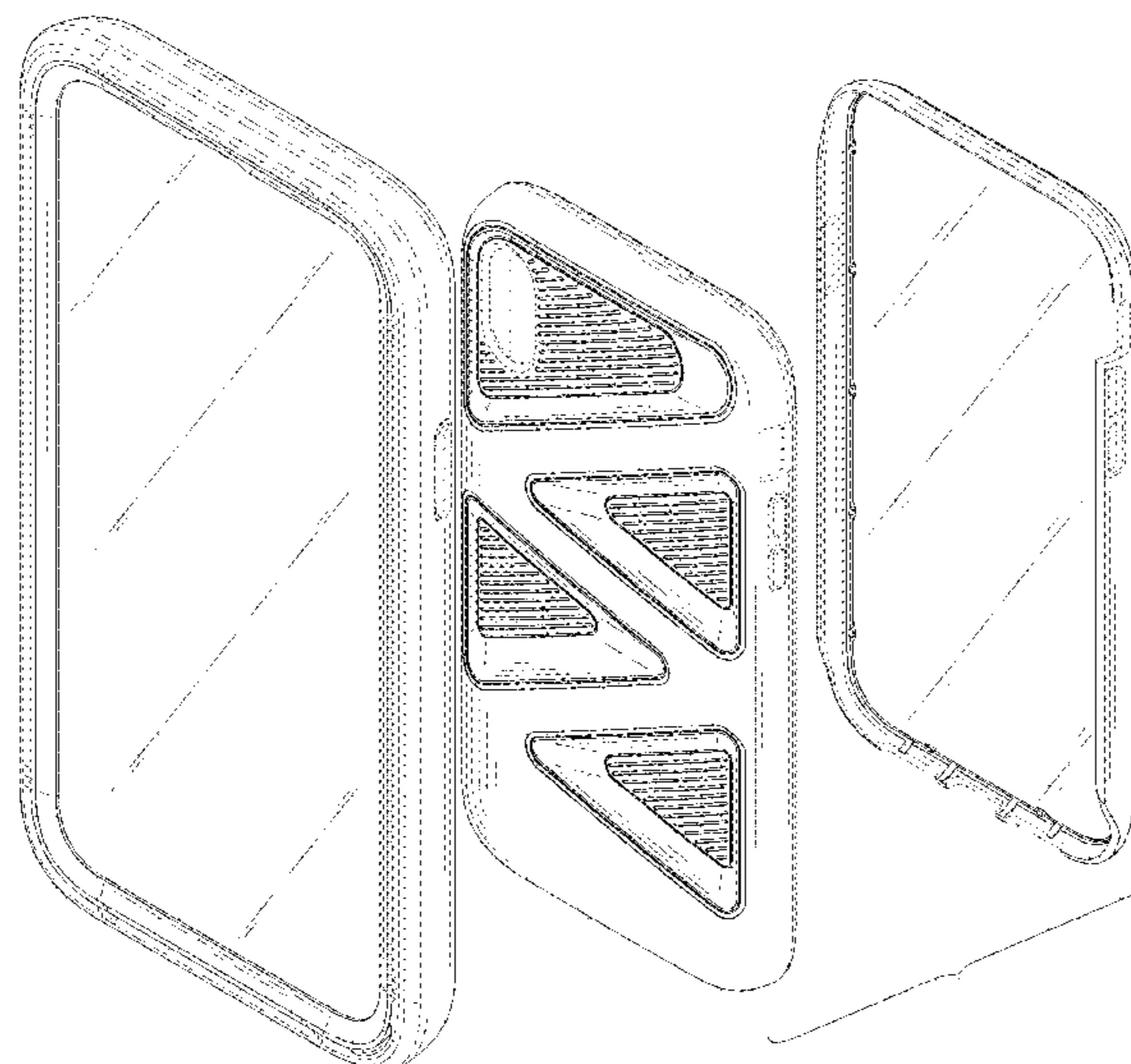
The ornamental design for a protective case for a mobile communication device, as shown and described.

DESCRIPTION

FIG. 1 is a top, front and right side perspective view of a protective case for a mobile communication device showing my new design;
FIG. 2 is a bottom, rear and left side perspective view thereof;
FIG. 3 is a front elevational view thereof;
FIG. 4 is a rear elevational view thereof;
FIG. 5 is a left side view thereof;
FIG. 6 is a right side view thereof;
FIG. 7 is a top plan view thereof;
FIG. 8 is a bottom plan view thereof;
FIG. 9 is an enlarged view of the encircled portion 9 in FIG. 2;
FIG. 10 is an enlarged view of the encircled portion 10 in FIG. 2;
FIG. 11 is an enlarged view of the encircled portion 11 in FIG. 2;
FIG. 12 is an enlarged view of the encircled portion 12 in FIG. 2; and,
FIG. 13 is an exploded view of the protective case for a mobile communication device of FIG. 1.

The evenly broken line depicts unclaimed portion of the protective case for a mobile communication device; the dash-dot broken line discloses the boundary of the enlarged views. The broken lines form no part of the claimed design.

1 Claim, 13 Drawing Sheets



(56)

References Cited

U.S. PATENT DOCUMENTS

D715,789	S	*	10/2014	Yoon	D14/250
D716,281	S	*	10/2014	Melanson	D14/250
D716,783	S	*	11/2014	Loncar	D14/250
D755,167	S	*	5/2016	Chen	D14/248
D764,451	S	*	8/2016	Hung	D14/250
D765,638	S	*	9/2016	Gaylord	D14/250
D765,642	S	*	9/2016	Bulkley	D14/250
D790,525	S	*	6/2017	Kellogg	H04B 1/3888 D14/250
D808,943	S	*	1/2018	Kamalandua Makasi	...	D14/250
D816,154	S	*	4/2018	Kim	D18/50
D831,019	S	*	10/2018	Kim	D14/250
D831,637	S	*	10/2018	Yuan	D14/250
D854,313	S	*	7/2019	Burns	D3/218
D856,319	S	*	8/2019	Deng	D14/250

* cited by examiner

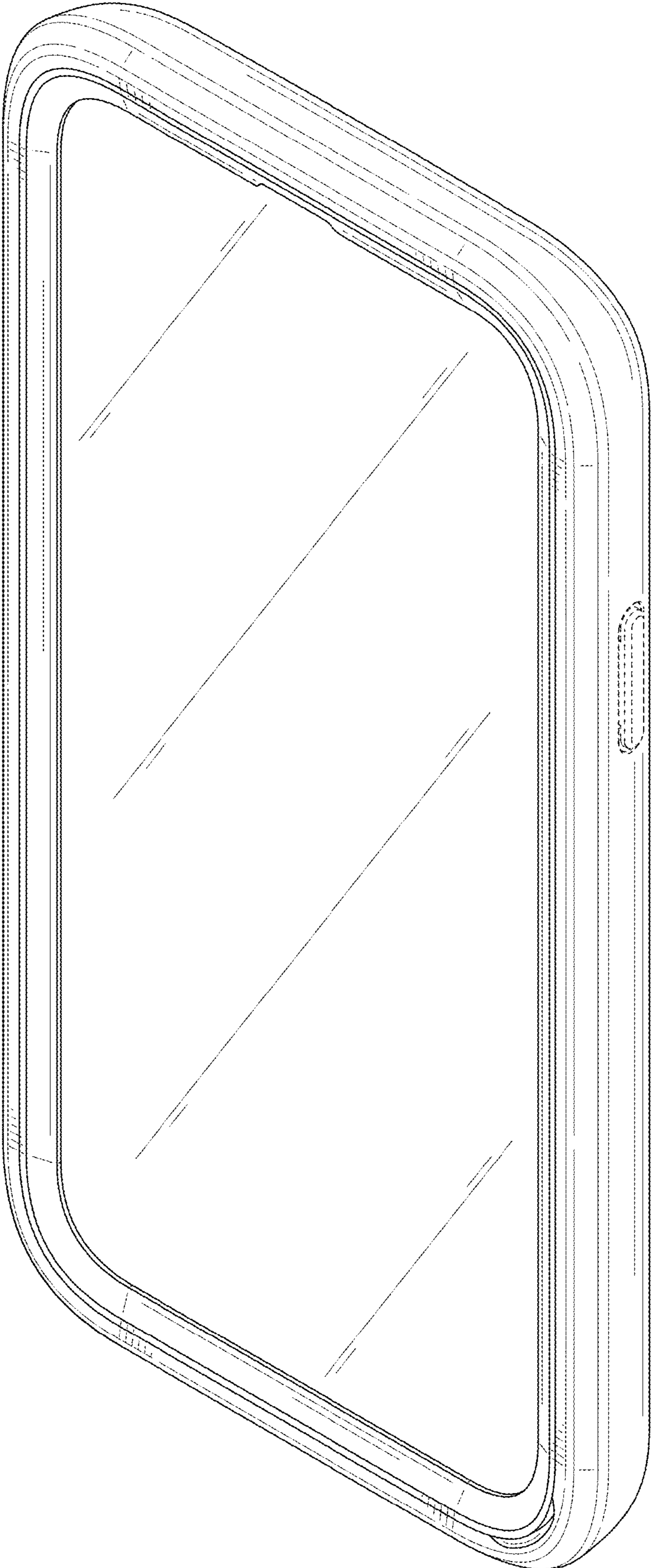


FIG. 1

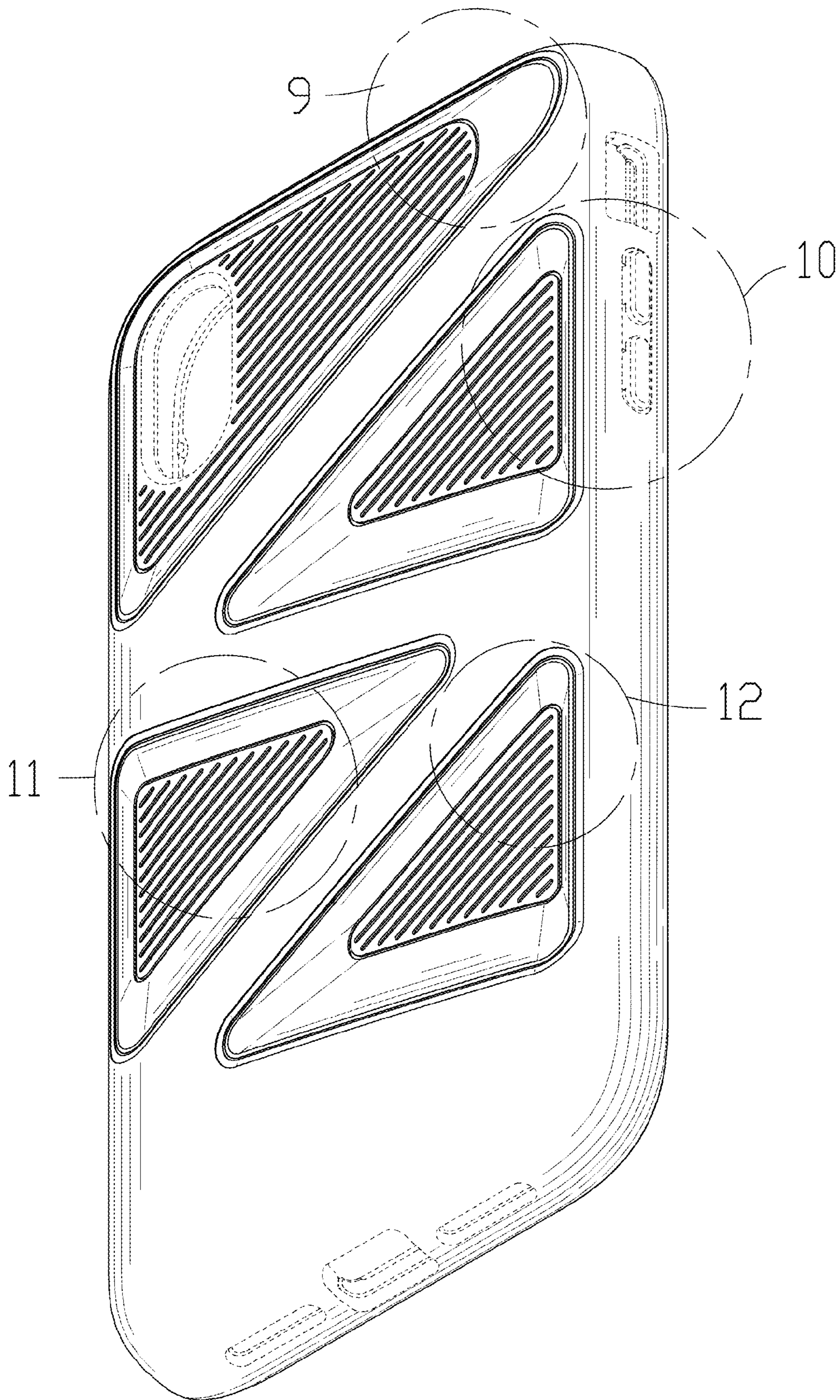


FIG. 2

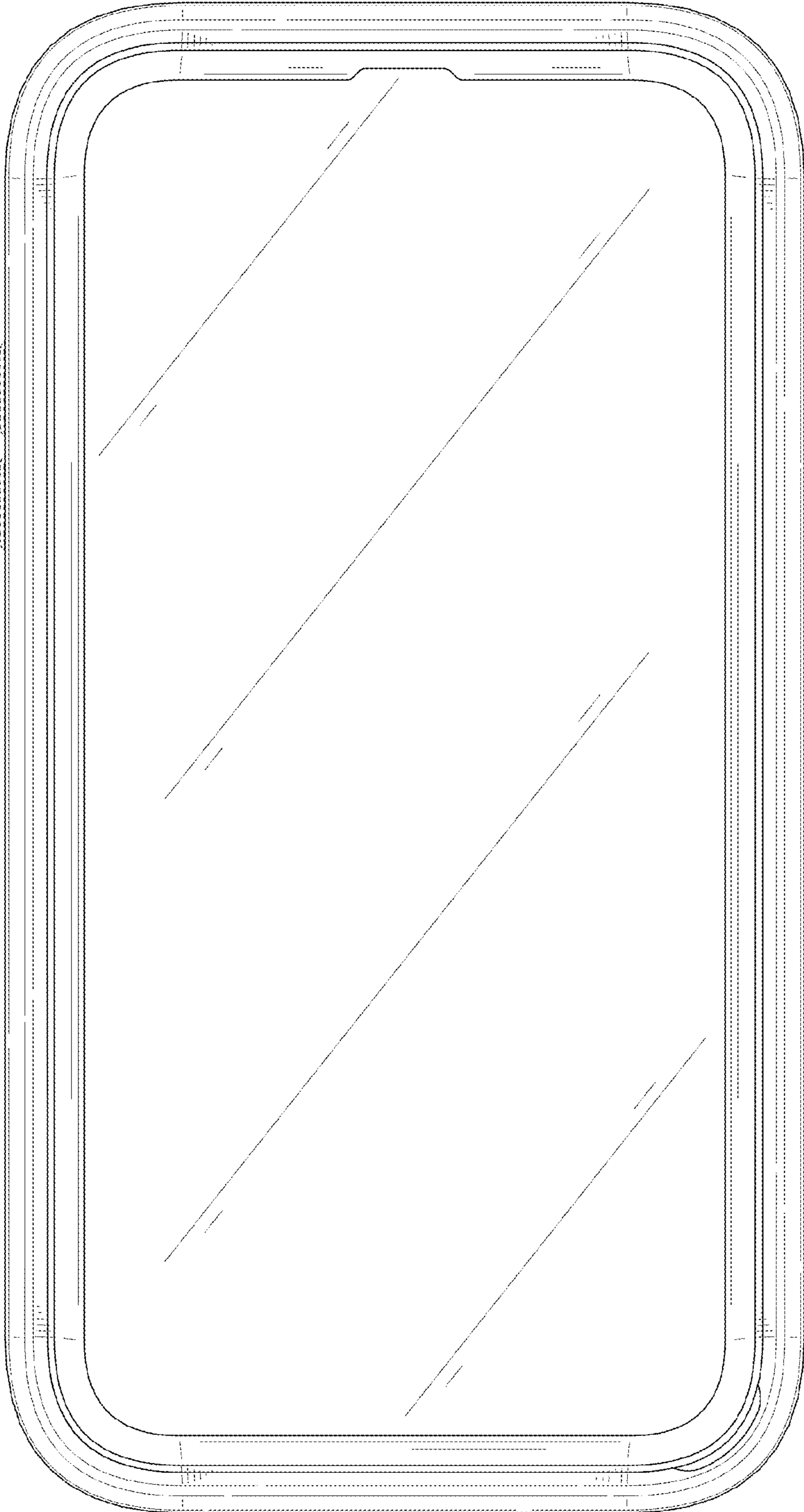


FIG. 3

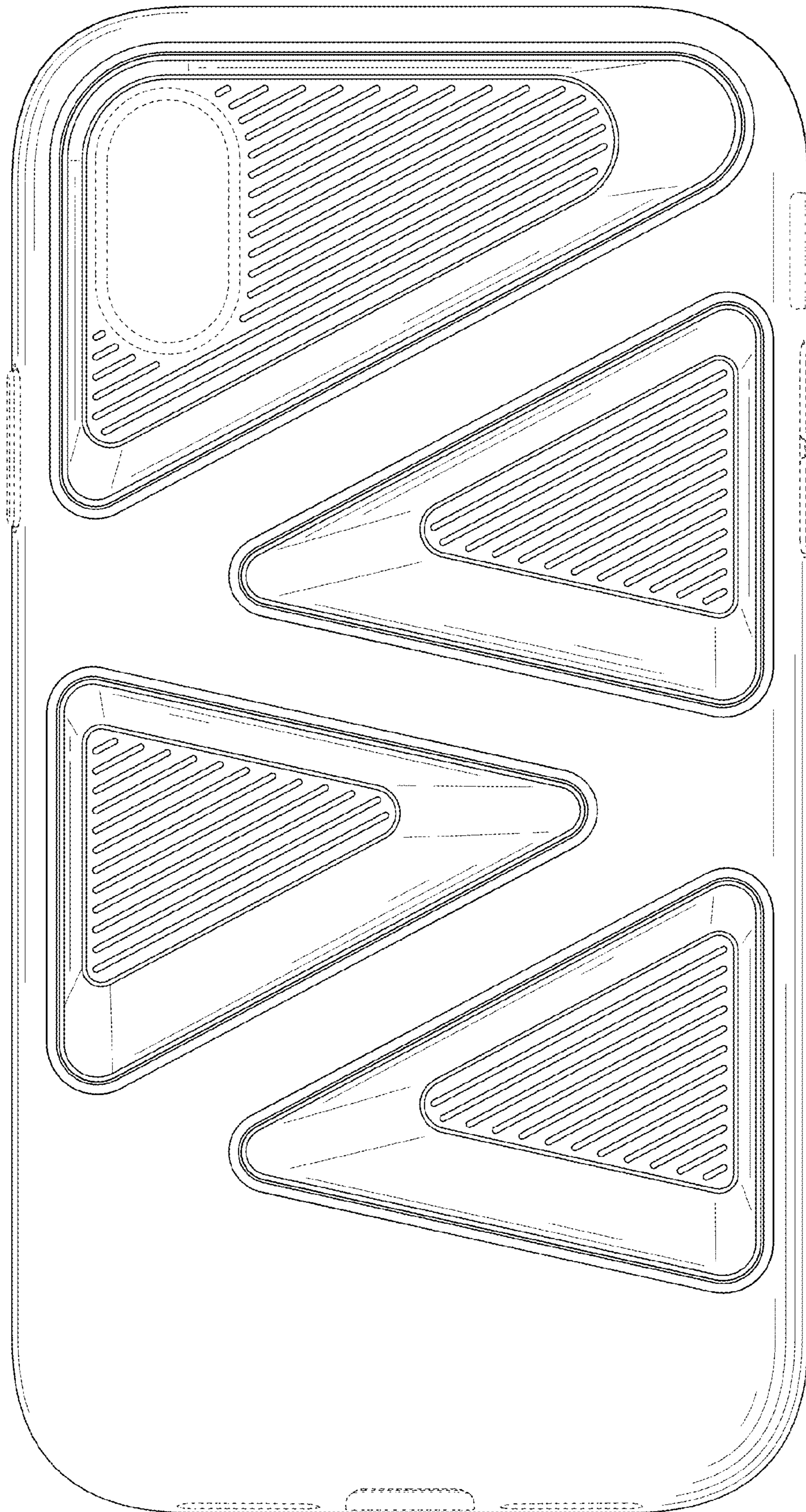


FIG. 4

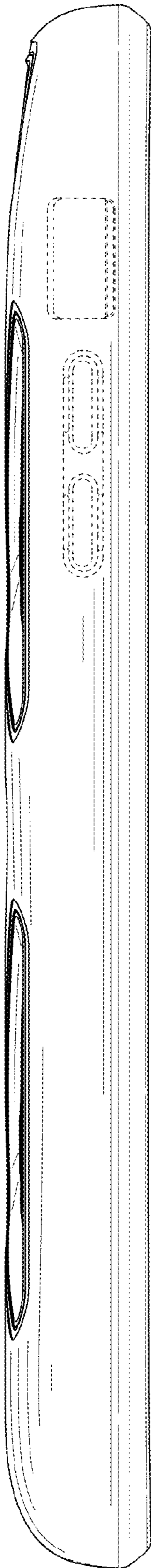


FIG. 5

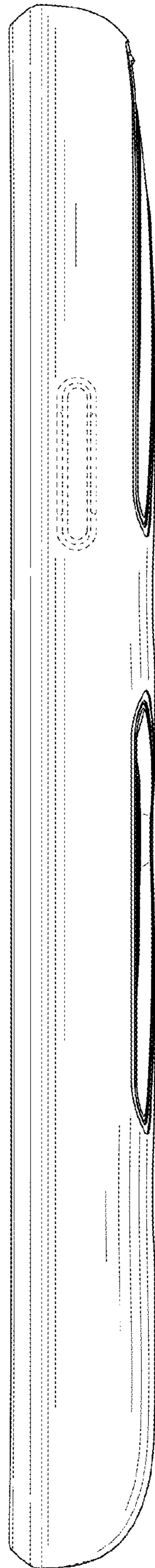


FIG. 6

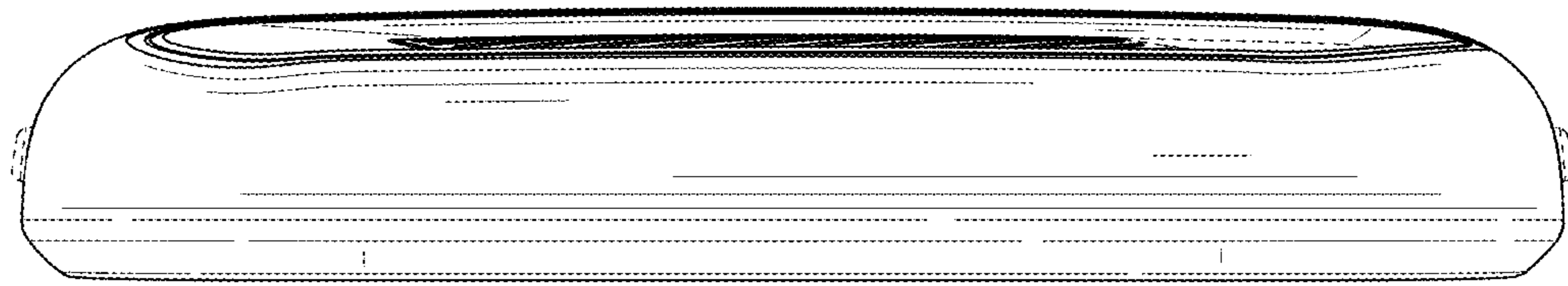


FIG. 7

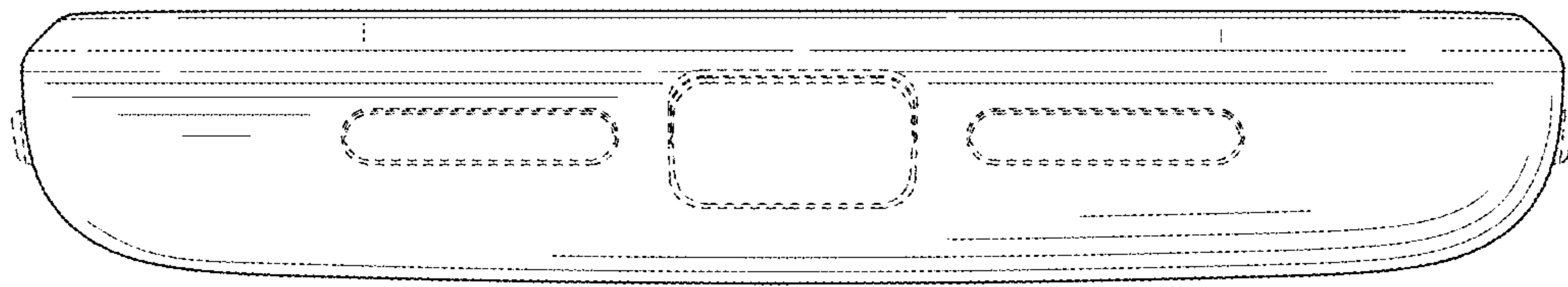


FIG. 8

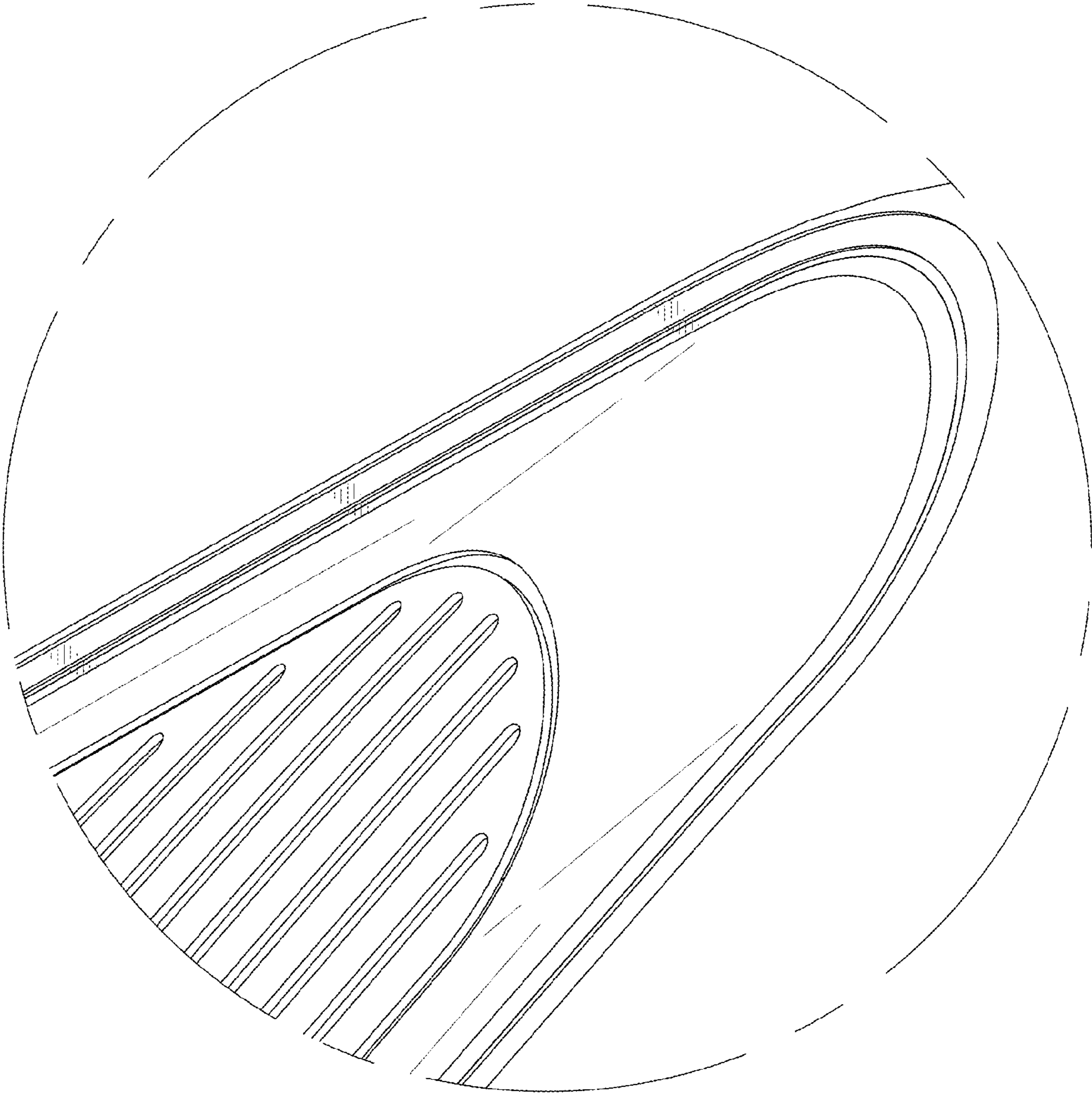


FIG. 9

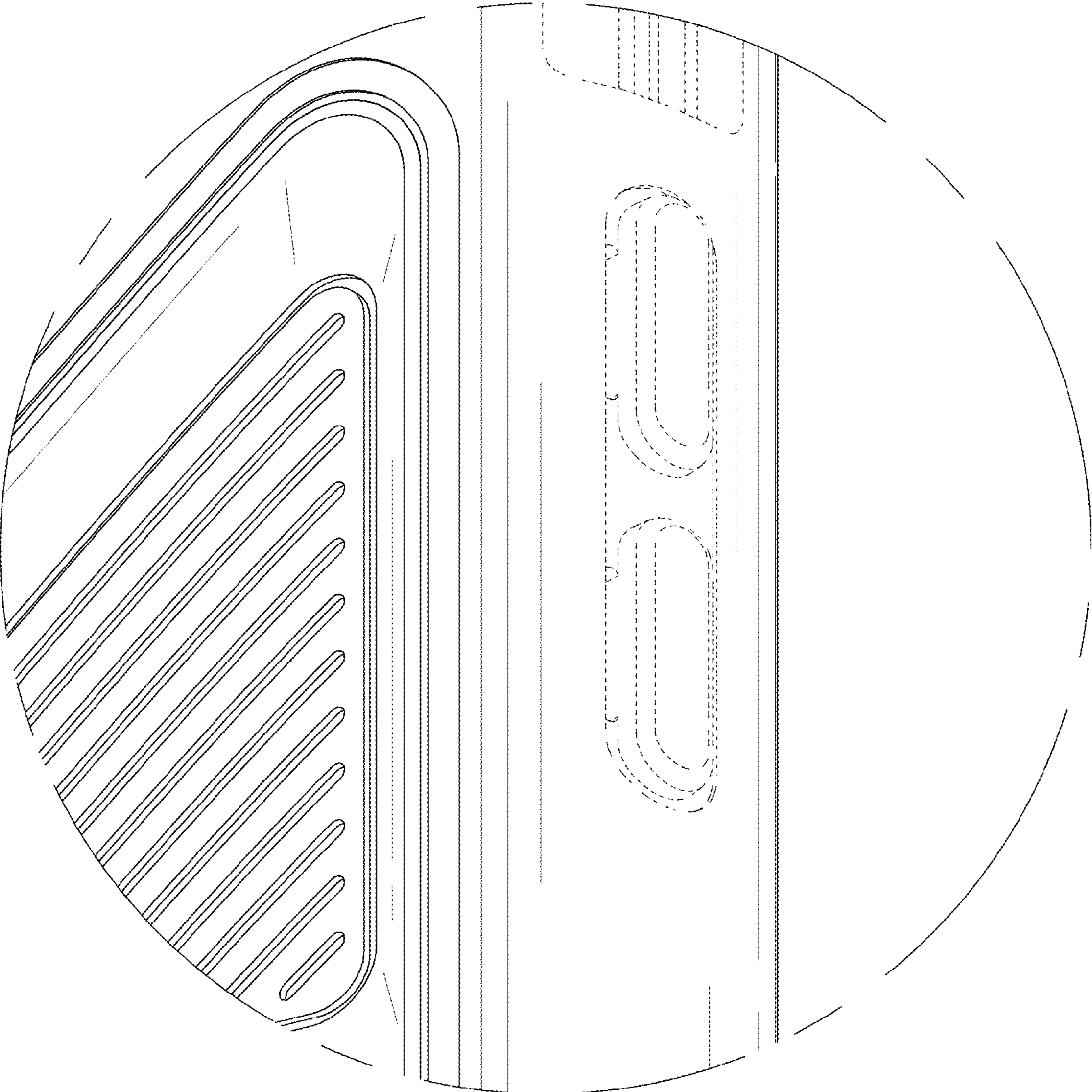


FIG. 10

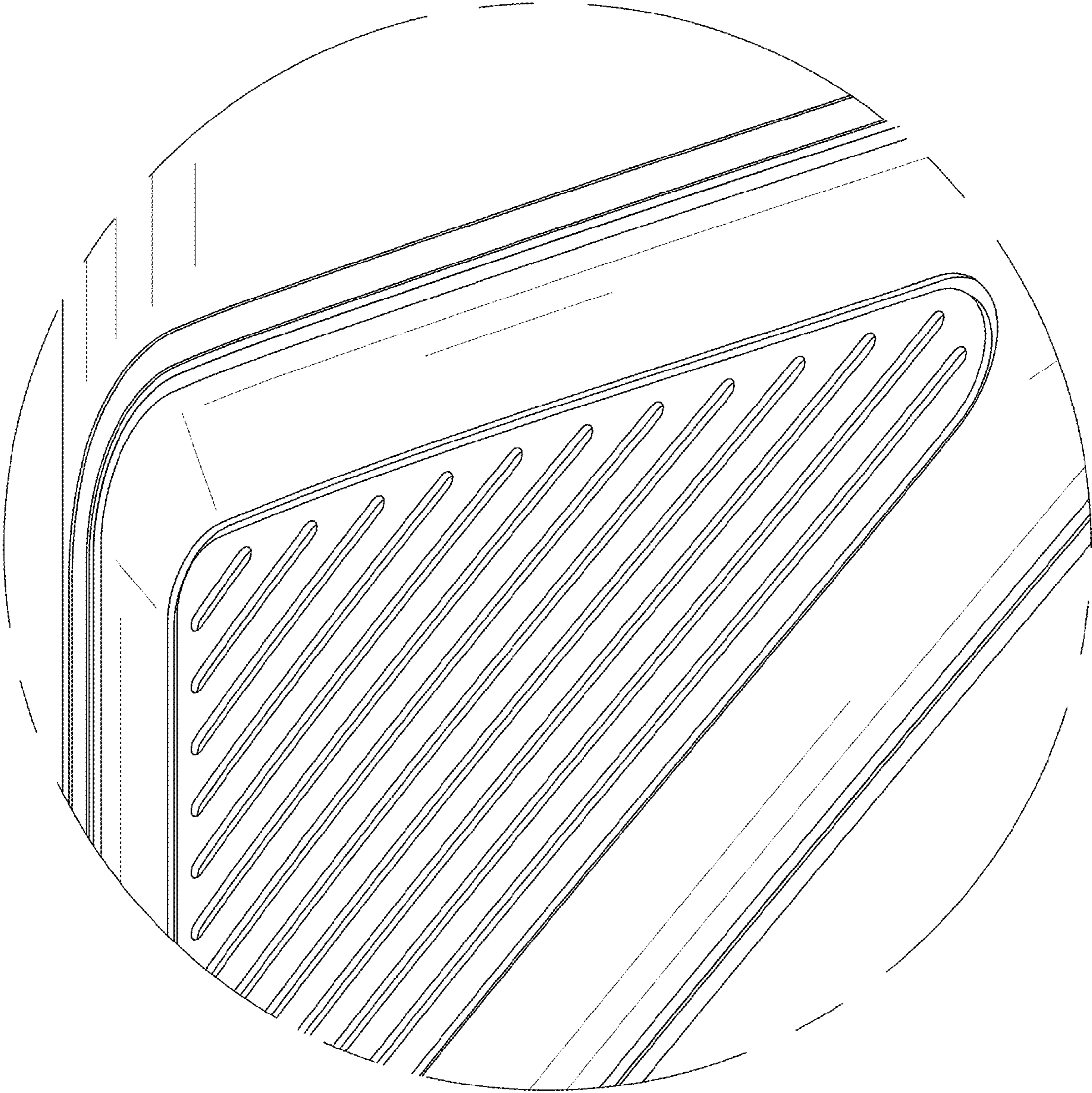


FIG. 11

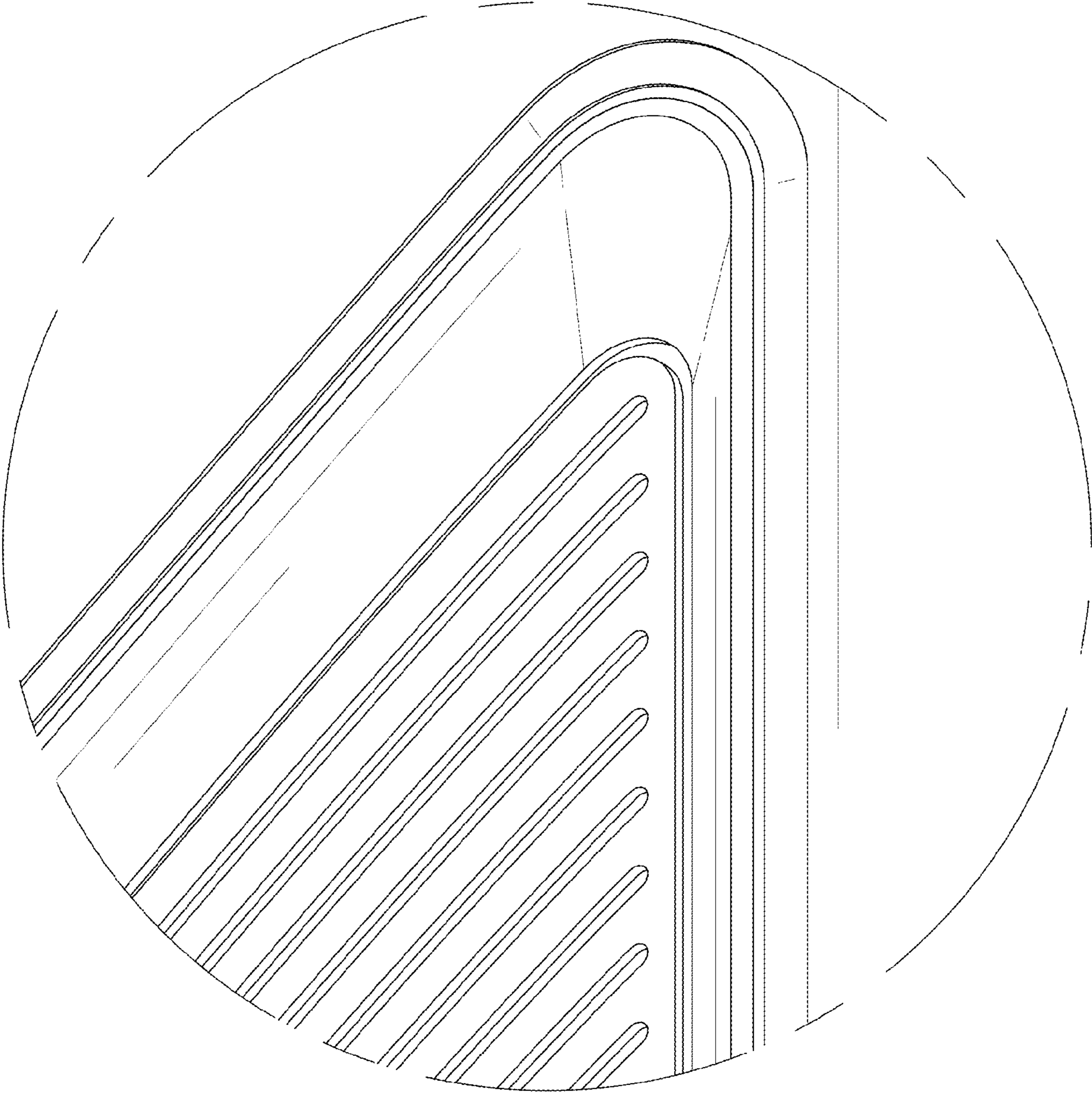


FIG. 12

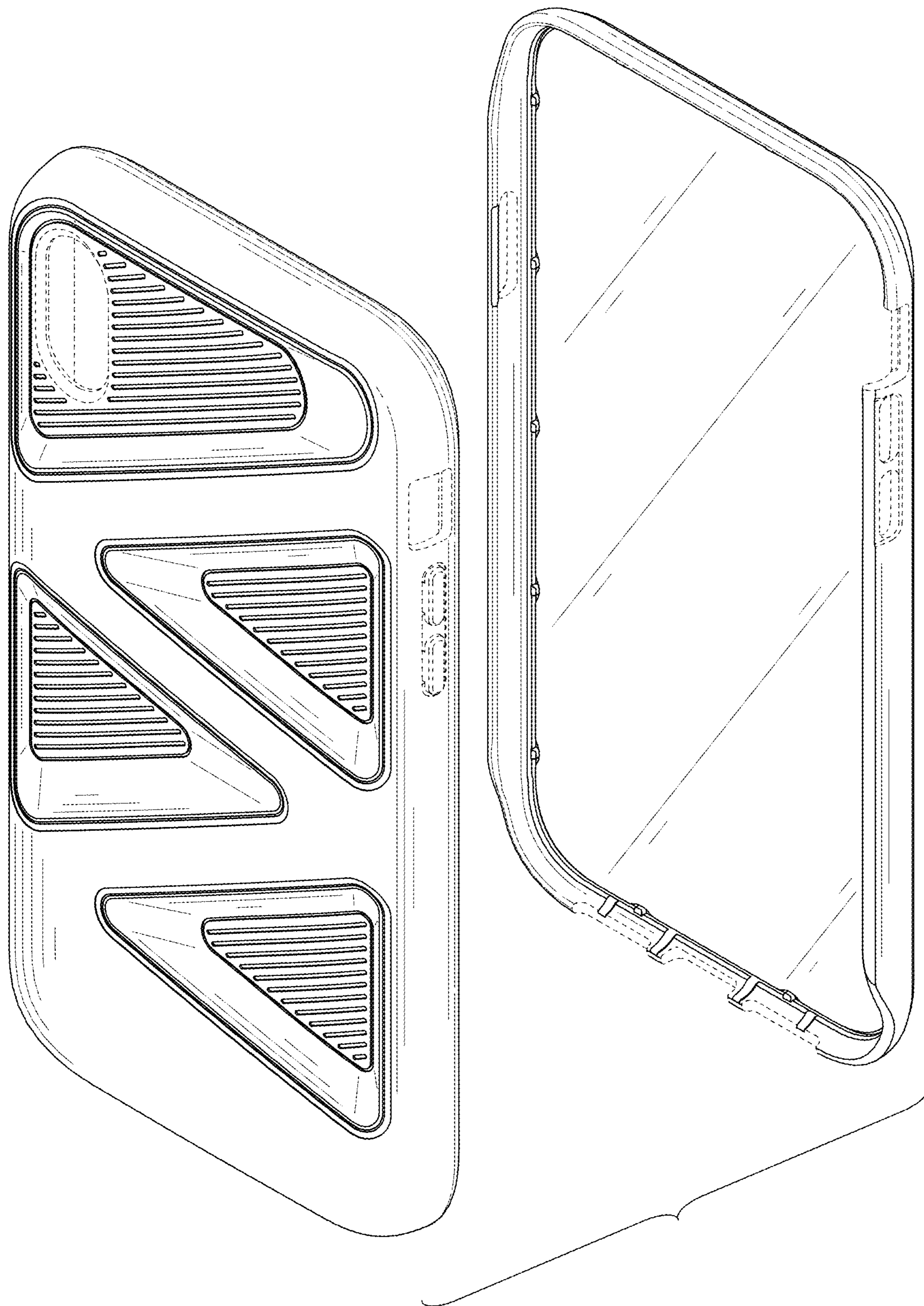


FIG. 13