



US00D917439S

(12) **United States Design Patent**
Mochizuki et al.

(10) **Patent No.:** **US D917,439 S**
(45) **Date of Patent:** **** Apr. 27, 2021**

(54) **COMMUNICATION RELAY DEVICE**

(71) Applicant: **PHC HOLDINGS CORPORATION**,
Tokyo (JP)

(72) Inventors: **Akihiro Mochizuki**, Gunma (JP);
Fumio Yamada, Gunma (JP)

(73) Assignee: **PHC HOLDINGS CORPORATION**,
Tokyo (JP)

(**) Term: **15 Years**

(21) Appl. No.: **29/695,574**

(22) Filed: **Jun. 20, 2019**

(30) **Foreign Application Priority Data**

Mar. 22, 2019 (JP) 2019-006091

(51) **LOC (13) Cl.** **14-03**

(52) **U.S. Cl.**
USPC **D14/240; D14/358; D10/106.9**

(58) **Field of Classification Search**
USPC ... D14/140.1, 240, 242, 358, 125, 129, 130,
D14/140, 142, 155, 167, 168, 172, 188,
(Continued)

(56) **References Cited**

U.S. PATENT DOCUMENTS

D301,331 S * 5/1989 Rhodin D13/107
D317,006 S * 5/1991 Naderi D14/433
(Continued)

FOREIGN PATENT DOCUMENTS

JP D1300421 S 5/2007
JP D1429504 S 12/2011
(Continued)

OTHER PUBLICATIONS

Communications relays. (Design—© Questel) orbit.com. [online
PDF] 17 pgs. Print Dates Range Dec. 16, 2010 through Sep. 30,

2019. [retrieved Sep. 23, 2020] <https://www.orbit.com/export/QPTUJ214/pdf2/955a7066-22e7-4ce1-90c8-b0f534bfbabc-222454.pdf>.*

Primary Examiner — Marie D. Fast Horse

(74) *Attorney, Agent, or Firm* — Brinks Gilson & Lione

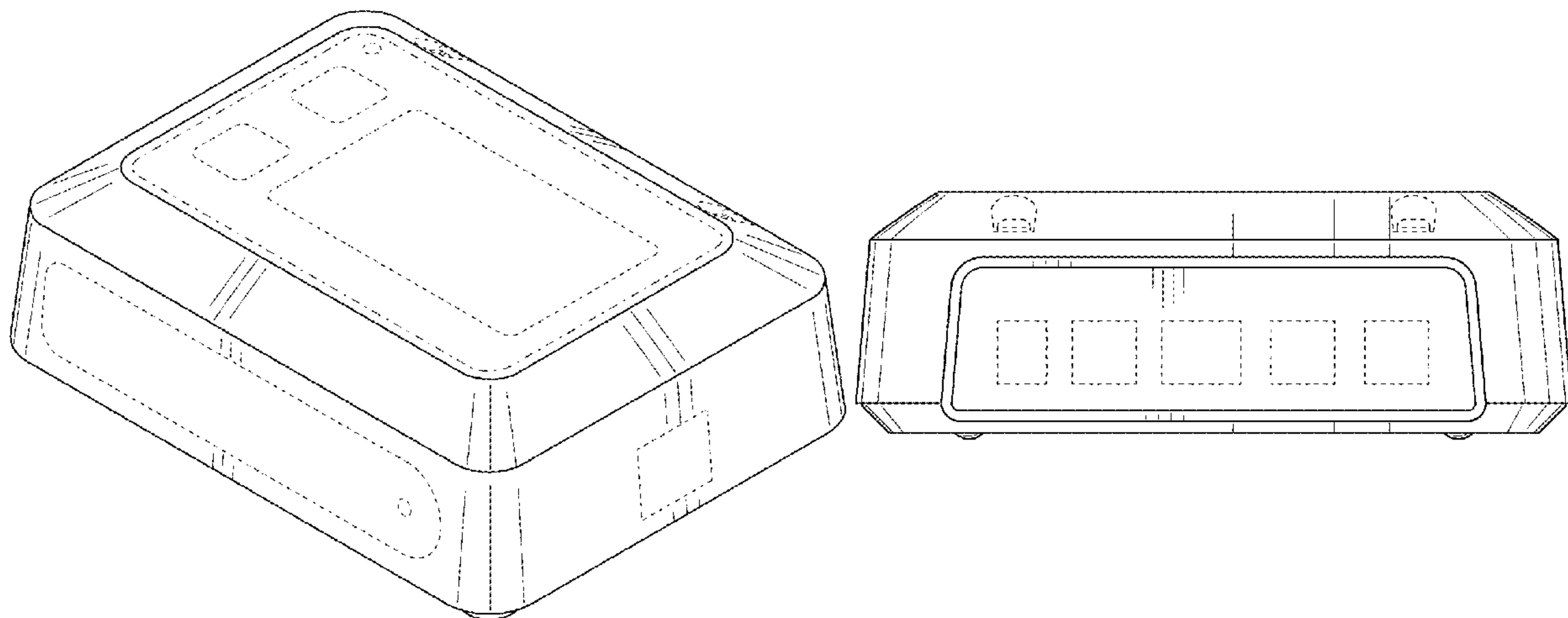
(57) **CLAIM**

We claim the ornamental design for a communication relay device, as shown and described.

DESCRIPTION

FIG. 1 is a top-front perspective view of a communication relay device of the present invention;
FIG. 2 is a top-rear perspective view thereof;
FIG. 3 is a bottom-rear perspective view thereof;
FIG. 4 is a bottom-front perspective view thereof;
FIG. 5 is a front view thereof;
FIG. 6 is a rear view thereof;
FIG. 7 is a left side view thereof;
FIG. 8 is a right side view thereof;
FIG. 9 is a top view thereof;
FIG. 10 is a bottom view thereof;
FIG. 11 is a top-front perspective view thereof shown in a first environmental use;
FIG. 12 is a top view thereof shown in the first environmental use;
FIG. 13 is a bottom view thereof shown in the first environmental use;
FIG. 14 is a bottom-rear perspective view thereof shown in a second environmental use; and,
FIG. 15 is a bottom-front perspective view thereof shown in the second environmental use.
The broken lines show parts of the communication relay device that represent unclaimed subject matter and form no part of the claimed design. Additionally, the unevenly broken lines in the drawings define the limits of the claimed design.

1 Claim, 15 Drawing Sheets



(58) **Field of Classification Search**

USPC D14/195, 299, 496, 348, 351, 356, 357,
 D14/197, 198, 230; D13/110, 123, 152,
 D13/158, 162, 162.1, 163, 168, 184, 199,
 D13/108, 179; D10/104.1, 106.1, 106.6,
 D10/116.1, 61, 64, 75, 106.9
 CPC ... H04W 88/00; H04W 88/005; H04W 88/02;
 H04W 88/08; H04W 88/085; H04W
 88/10; H04W 88/12; H04W 88/14; H04W
 88/16; H04W 88/18; H04W 4/00; H01Q
 1/02; H01Q 1/2291; H01Q 1/246; H04B
 1/38

See application file for complete search history.

(56) **References Cited**

U.S. PATENT DOCUMENTS

D341,363 S * 11/1993 Chambers D14/240
 D342,250 S * 12/1993 Beaumont D14/142
 D347,222 S * 5/1994 Hino D14/149
 D355,196 S * 2/1995 Nakamura D14/140.4
 D374,673 S 10/1996 Beaumont et al.
 D470,482 S * 2/2003 Ikeda D14/230
 D480,712 S * 10/2003 Noro D14/230
 D493,447 S * 7/2004 Noro D14/230
 D509,214 S 9/2005 Chung

D521,001 S * 5/2006 Xiao D14/356
 D565,036 S * 3/2008 Ju D14/240
 D566,657 S * 4/2008 Shen D13/152
 D579,799 S 11/2008 Barton et al.
 D595,691 S * 7/2009 Bradford D14/214
 D602,469 S * 10/2009 Bradford D14/214
 9,000,991 B2 * 4/2015 Ramberg H01Q 21/26
 343/727
 D732,010 S * 6/2015 Hsiao D14/240
 D740,262 S 10/2015 Hasegawa et al.
 D756,921 S * 5/2016 Benn D13/110
 D771,024 S * 11/2016 Epstein D14/242
 D780,605 S 3/2017 Chen et al.
 D807,401 S * 1/2018 Xu D14/496
 D813,212 S * 3/2018 Nangeroni D14/240
 D829,120 S * 9/2018 Mitchell D10/104.1
 D839,244 S * 1/2019 Johnson D14/230
 D862,255 S * 10/2019 Erbacher D10/49
 D879,633 S * 3/2020 Karbing D10/96
 D879,634 S * 3/2020 Karbing D10/96
 D884,493 S * 5/2020 Erbacher D10/49
 D889,449 S * 7/2020 Abellera D14/242

FOREIGN PATENT DOCUMENTS

JP D1450818 S 9/2012
 JP D1455861 S 11/2012
 JP D1617751 S 11/2018

* cited by examiner

FIG. 1

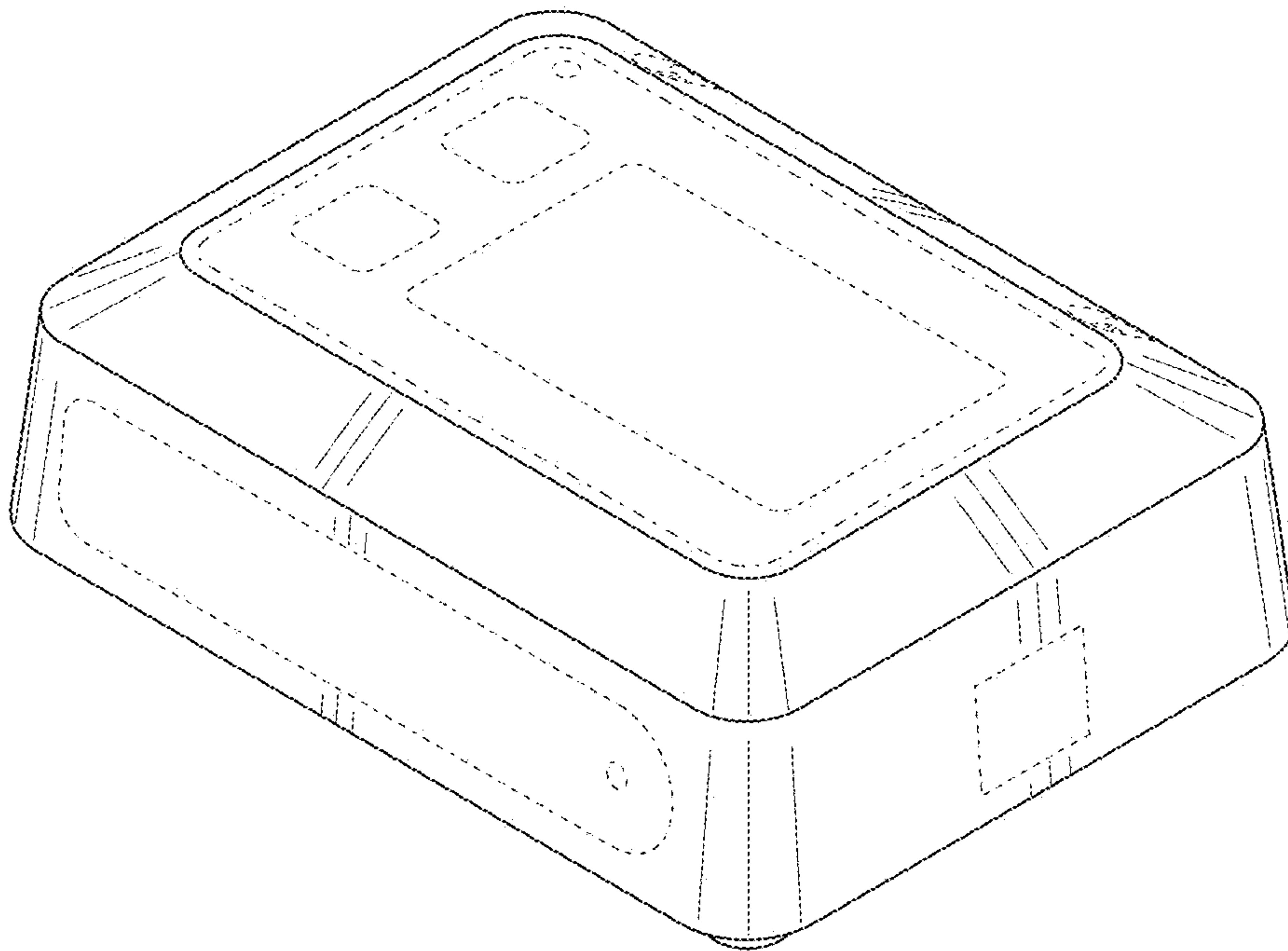


FIG. 2

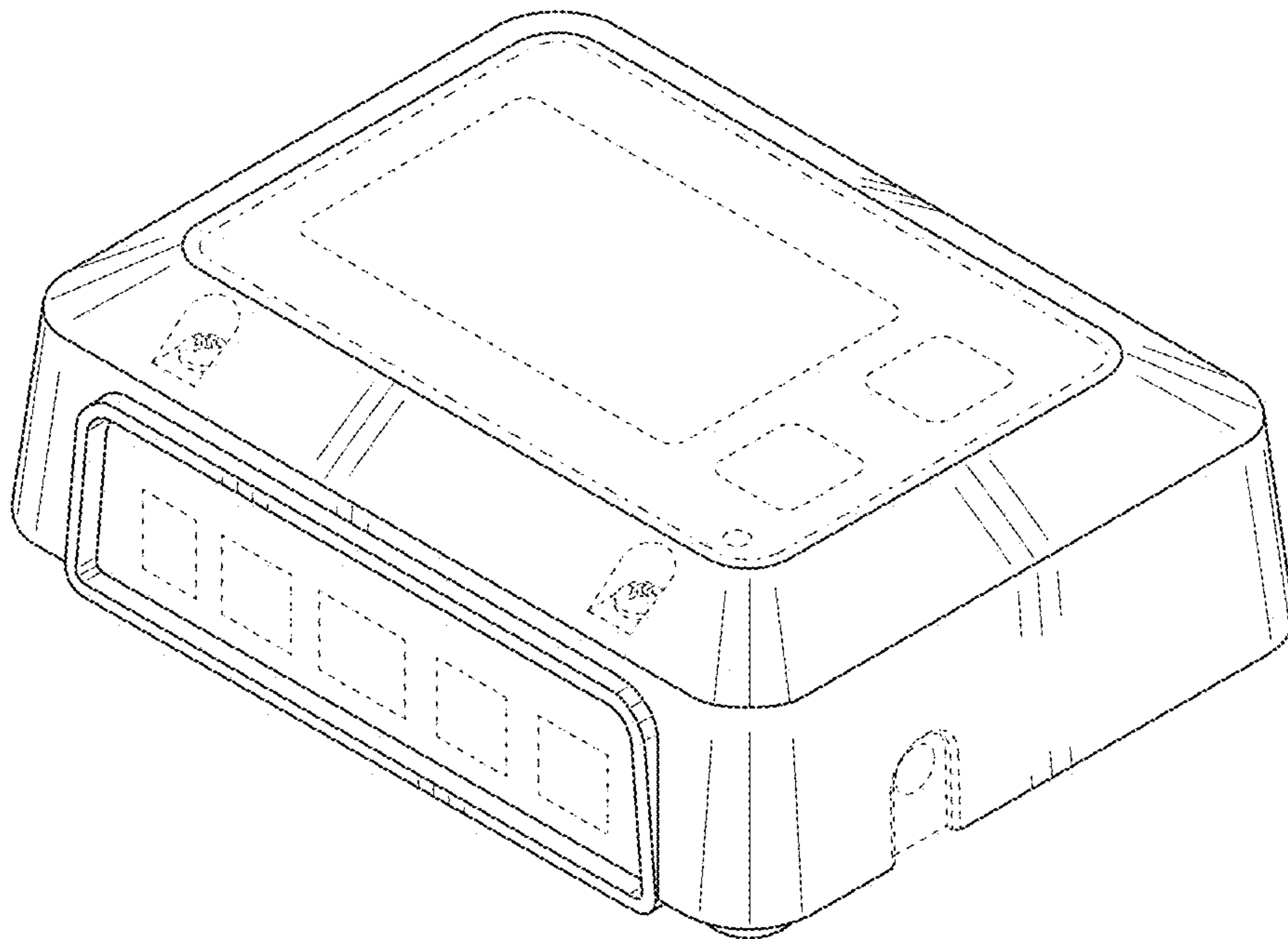


FIG. 3

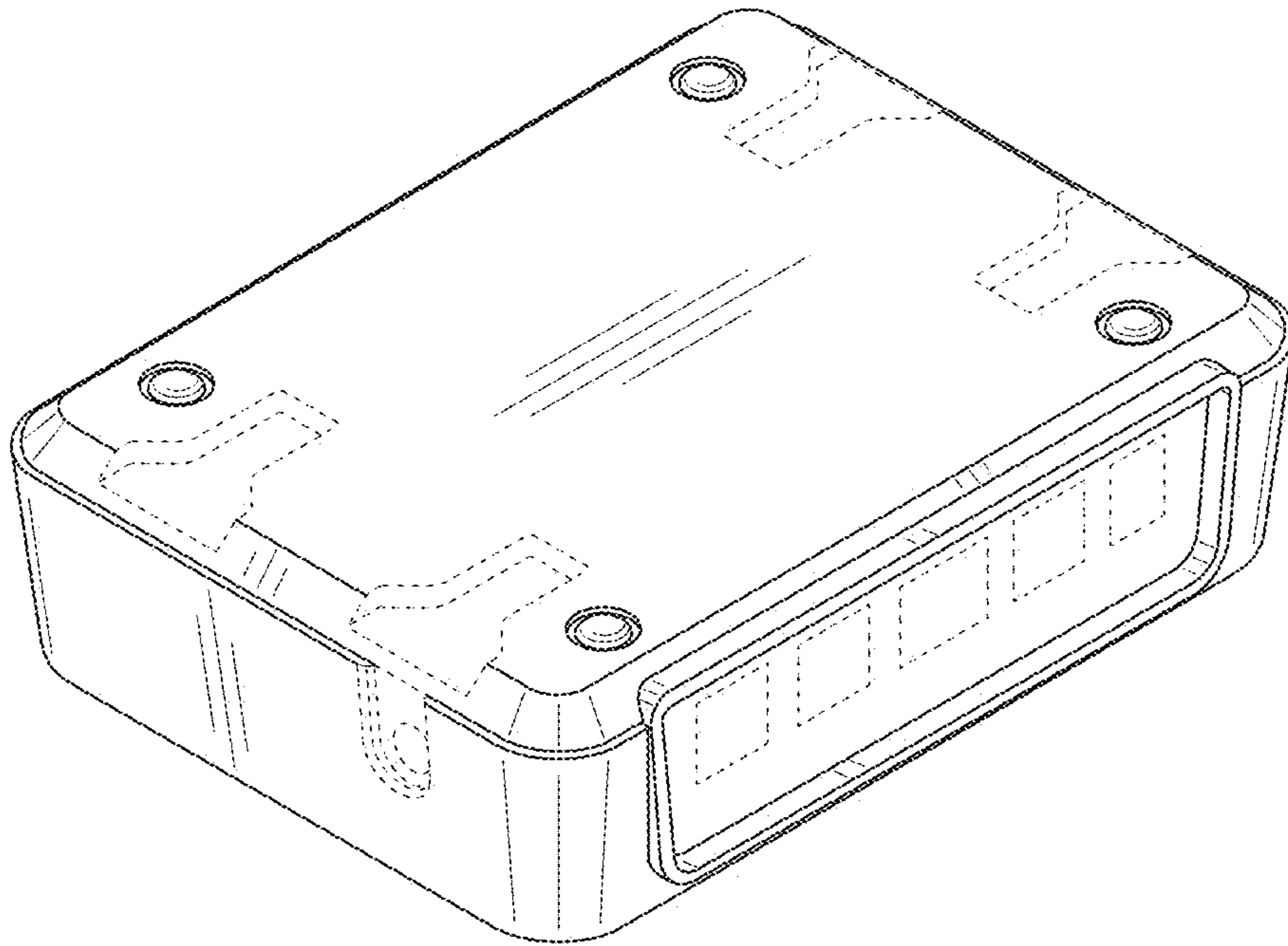


FIG. 4

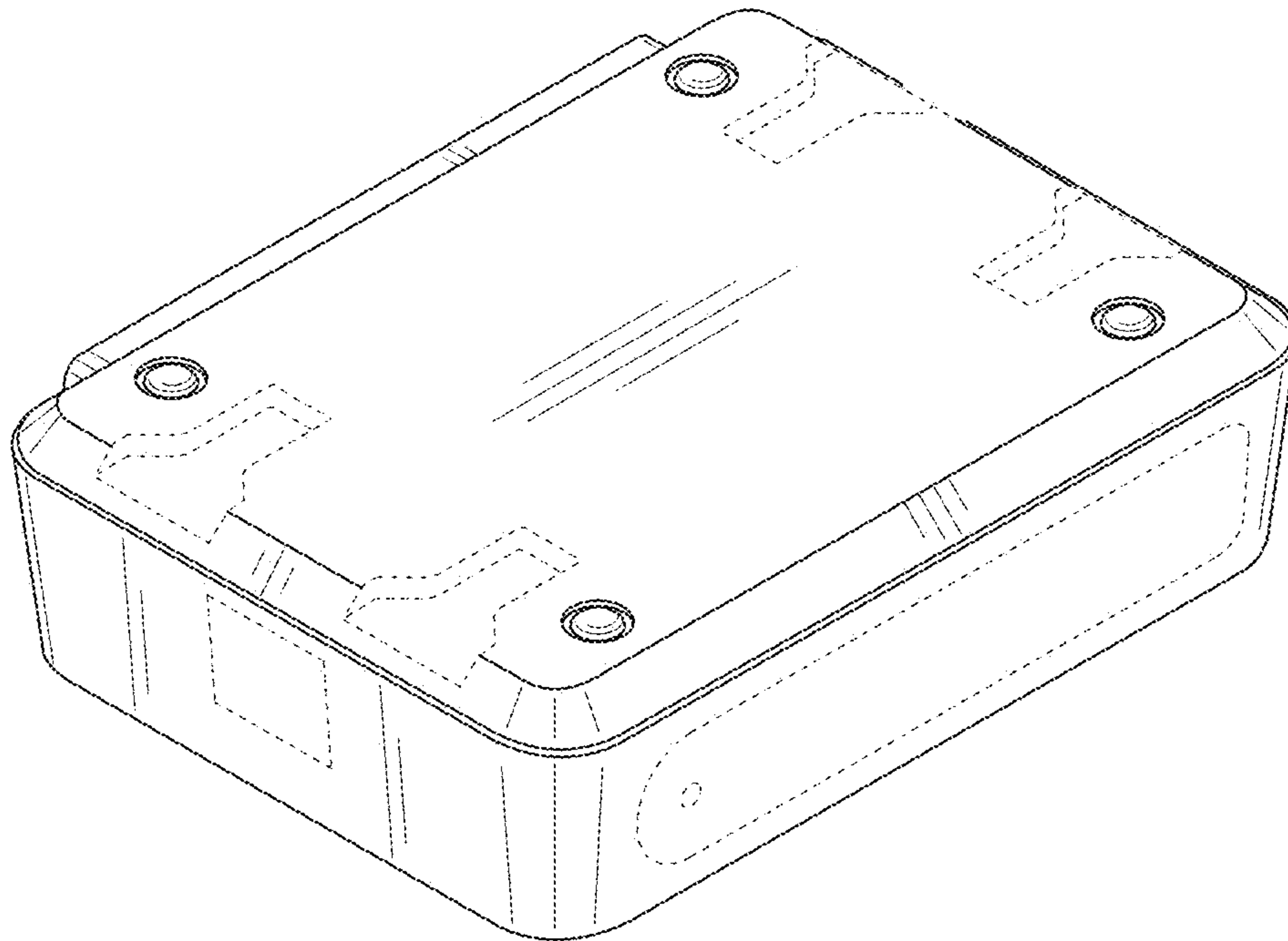


FIG. 5

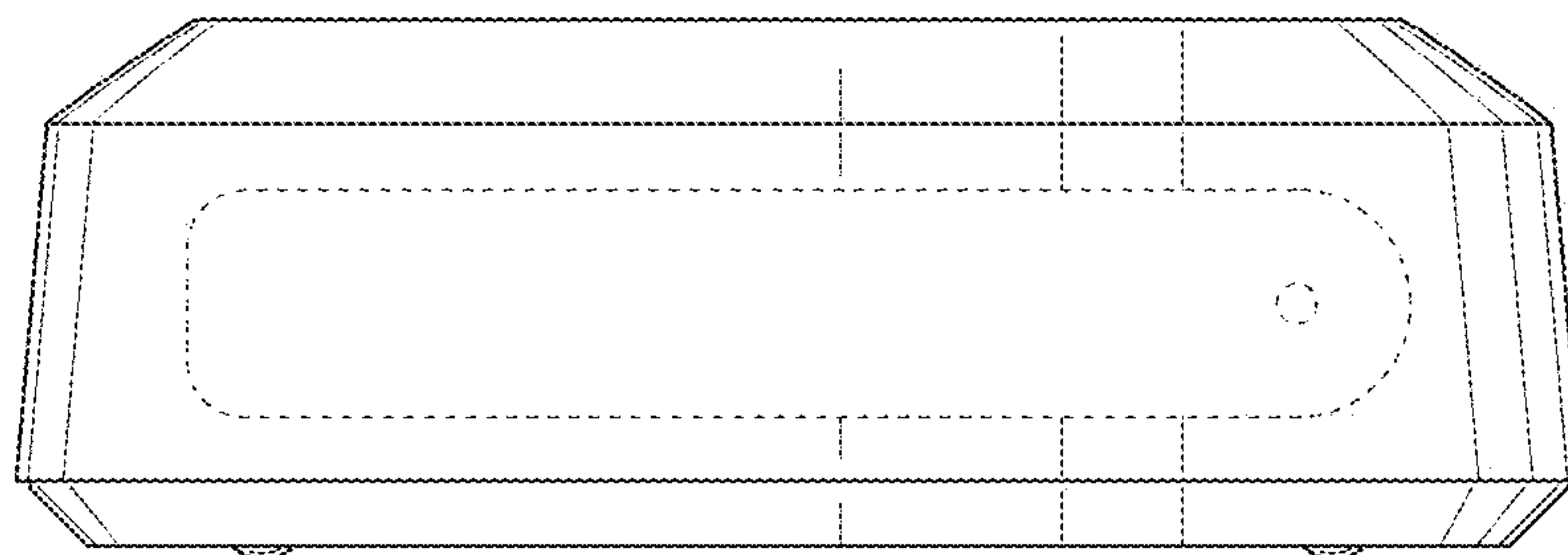


FIG. 6

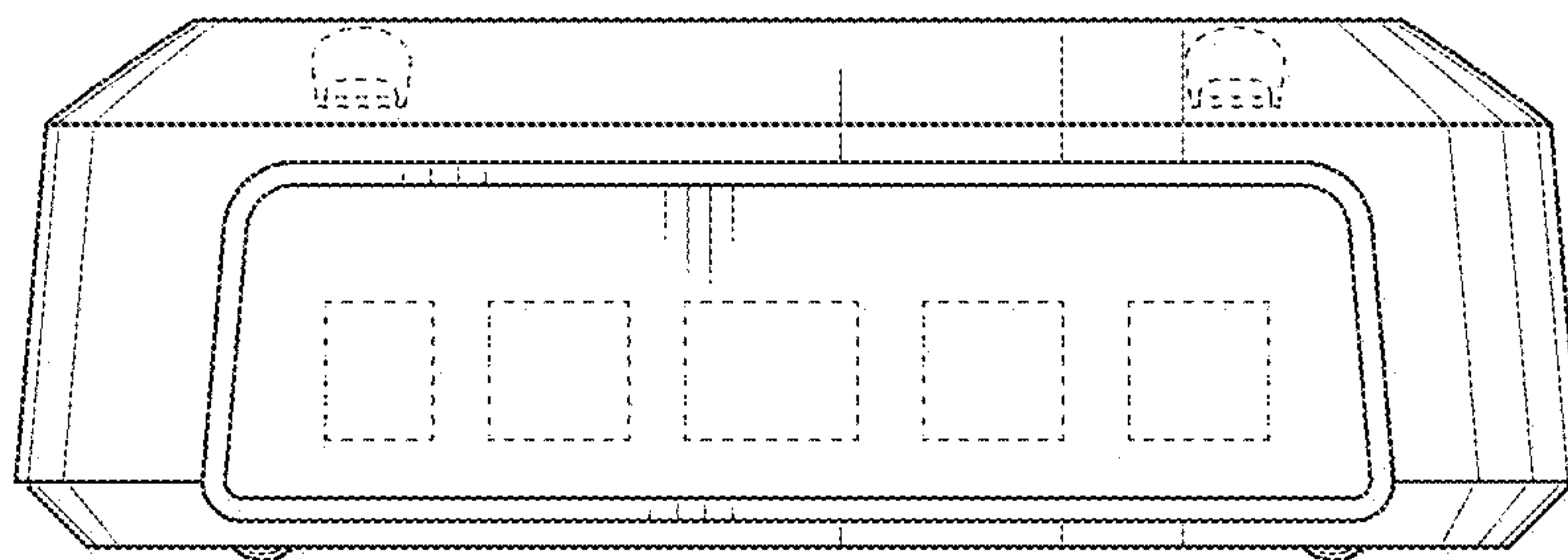


FIG. 7

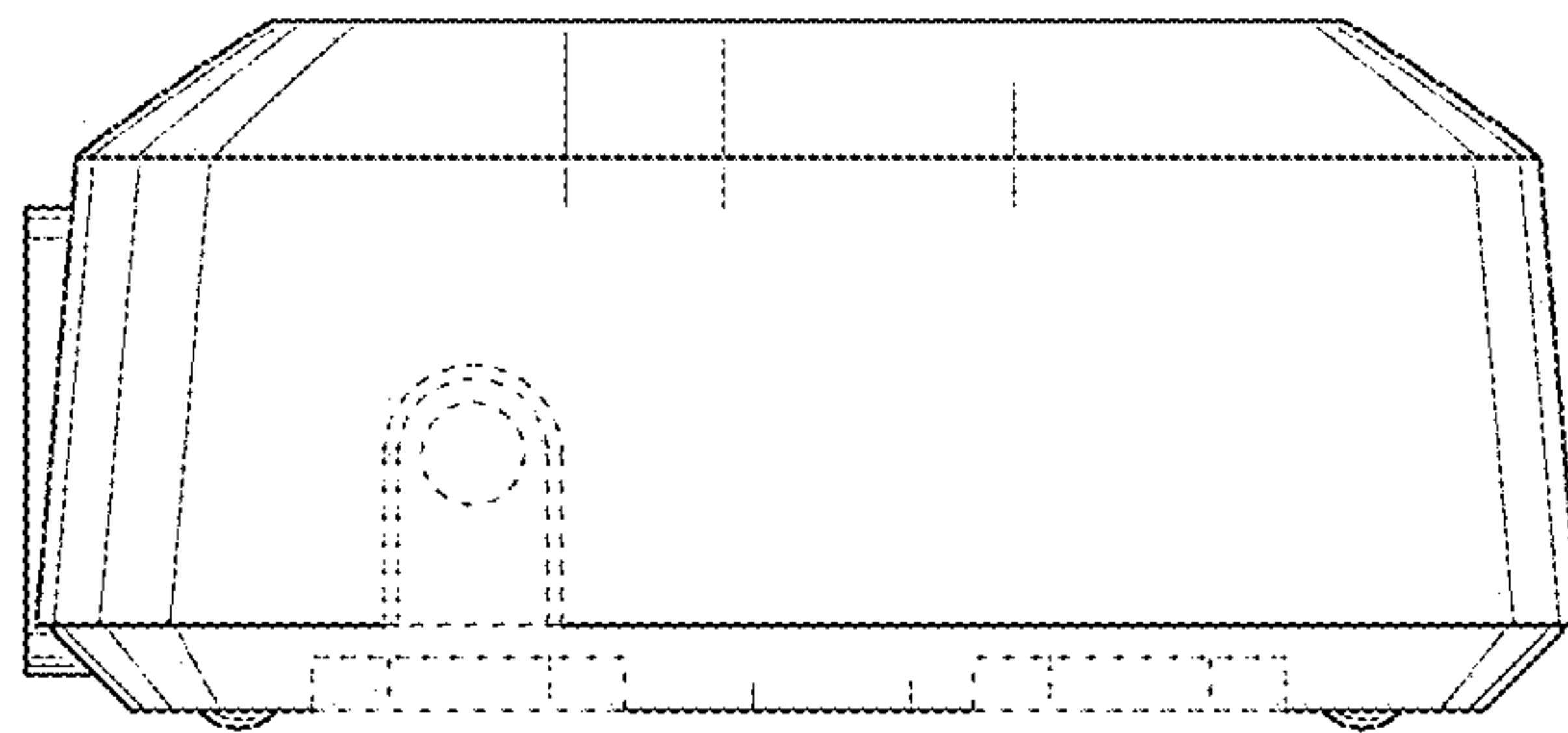


FIG. 8

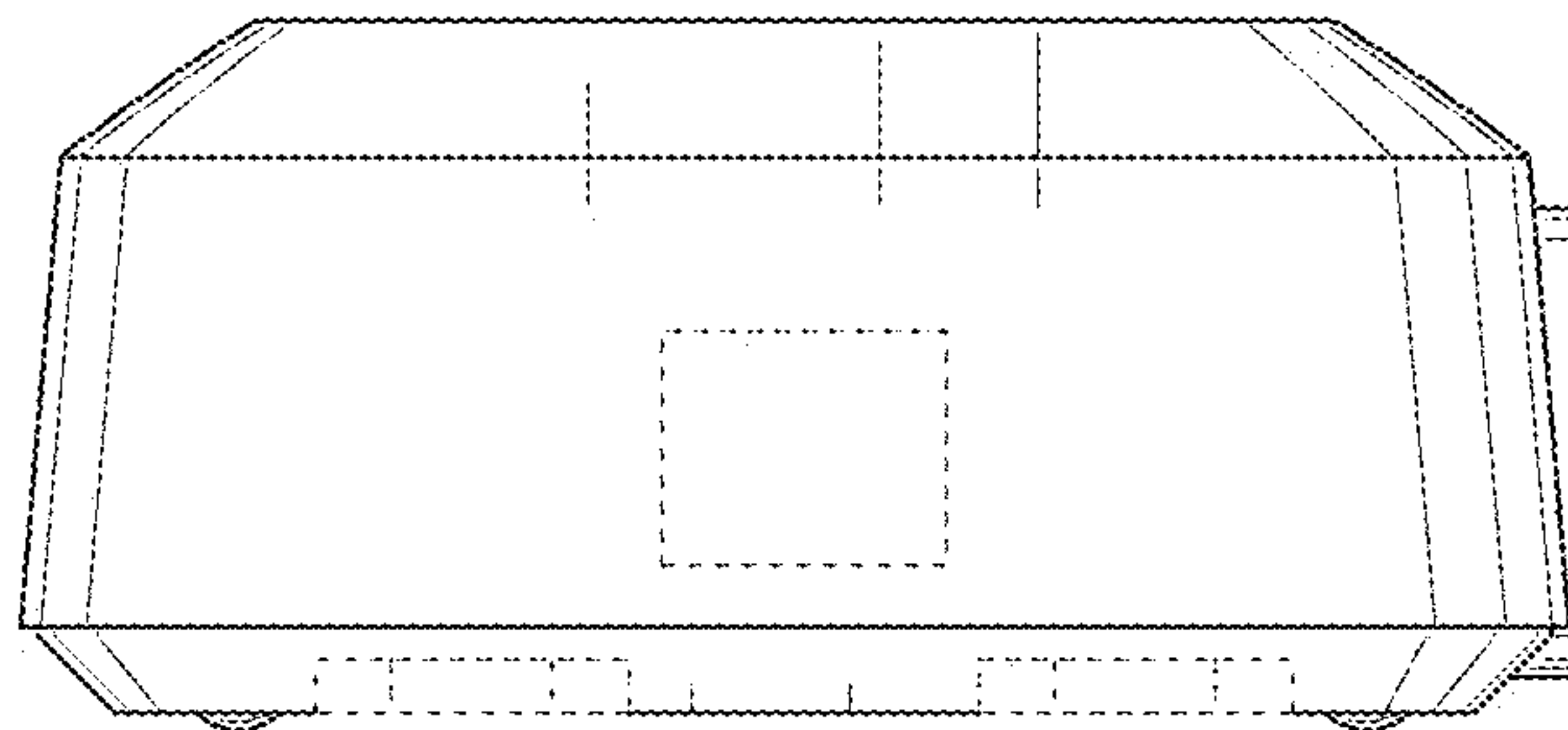


FIG. 9

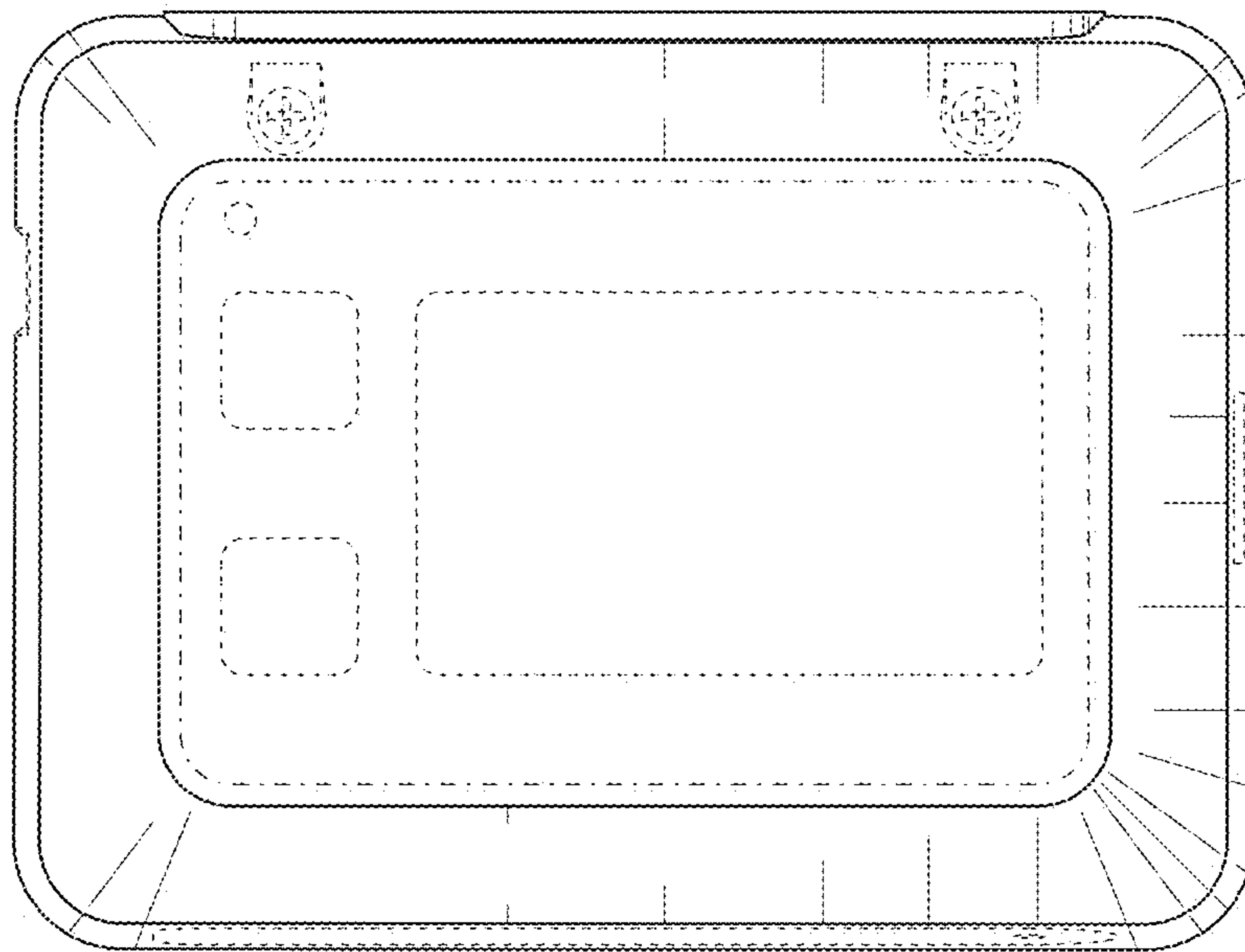


FIG. 10

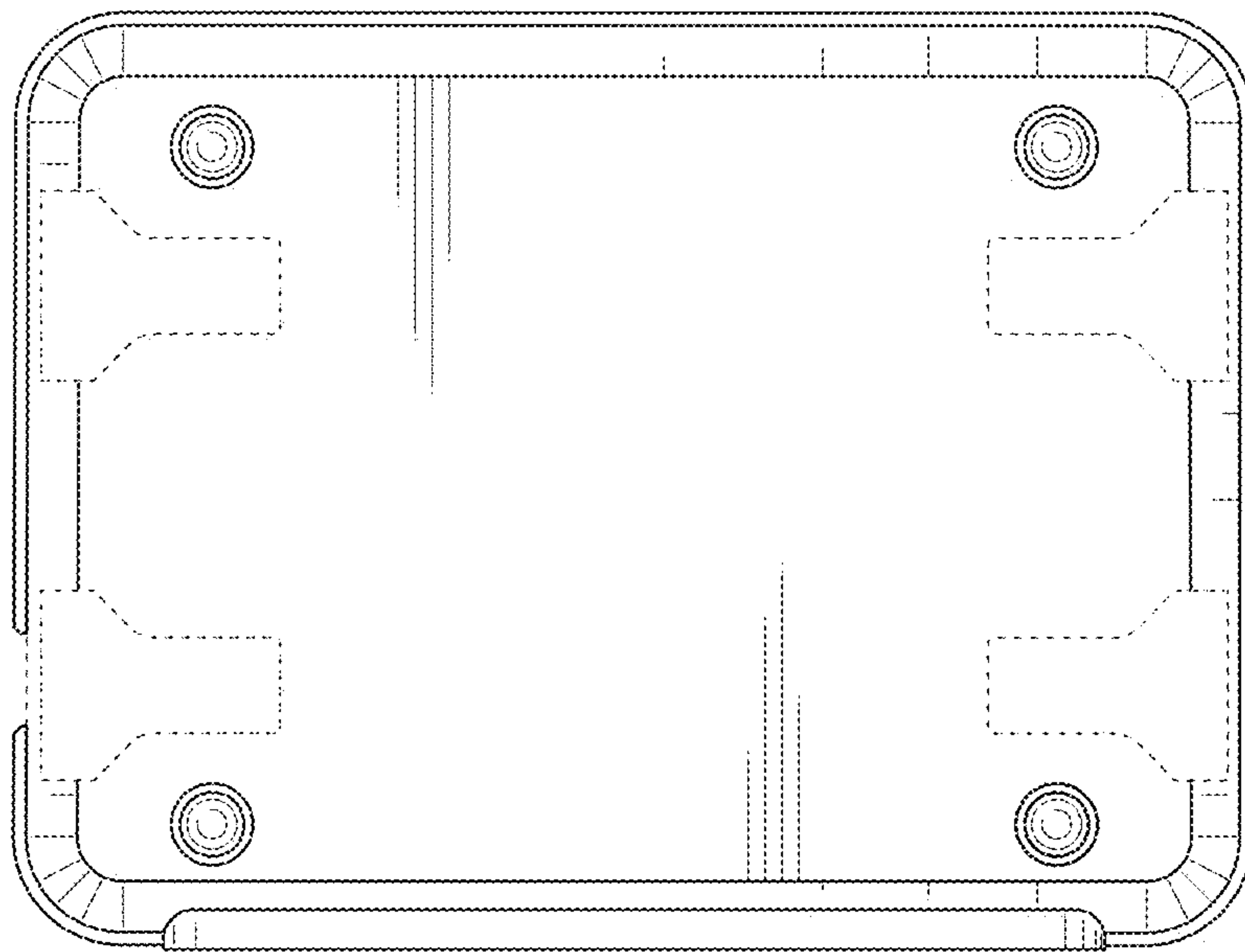


FIG. 11

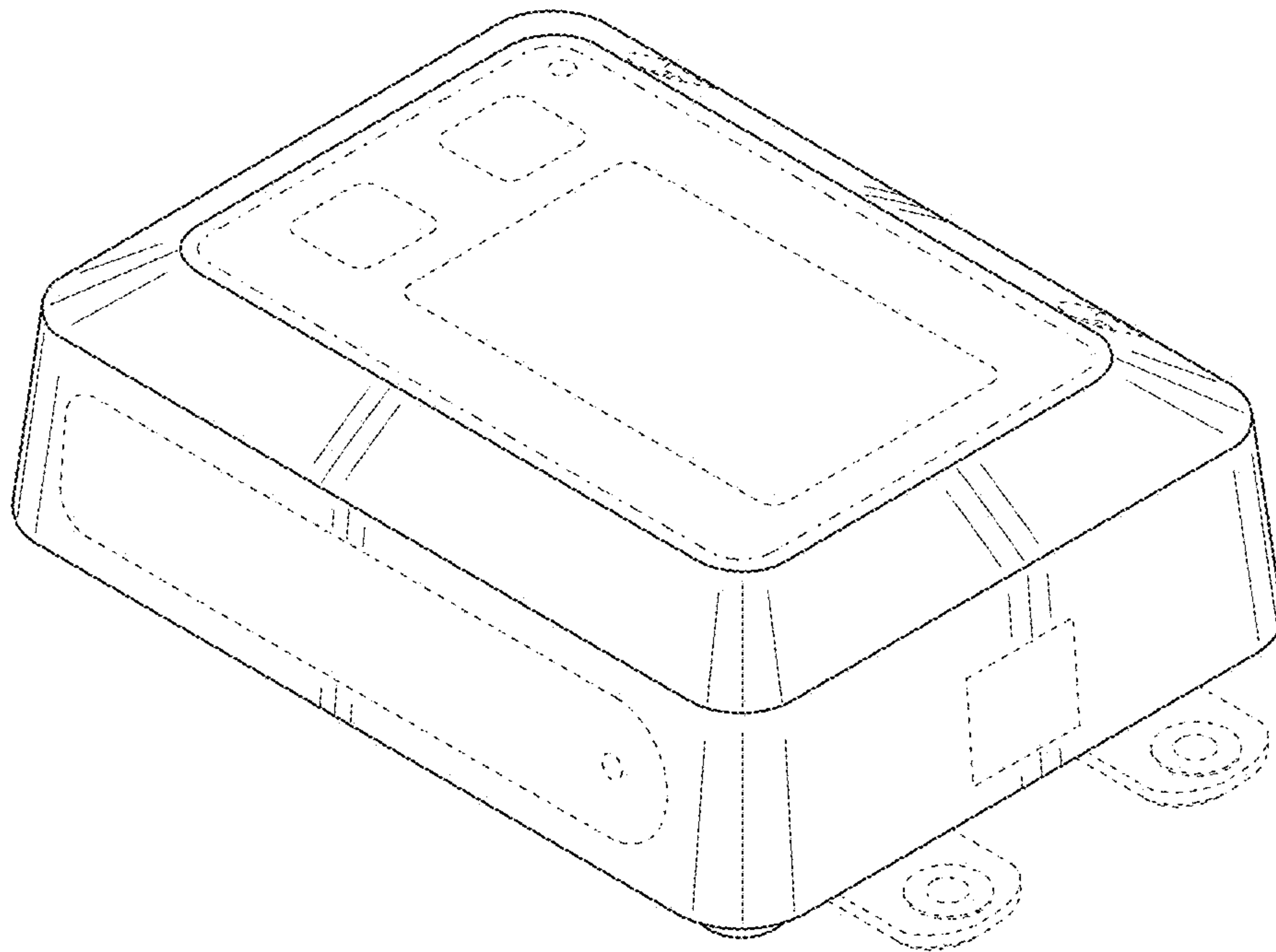


FIG. 12

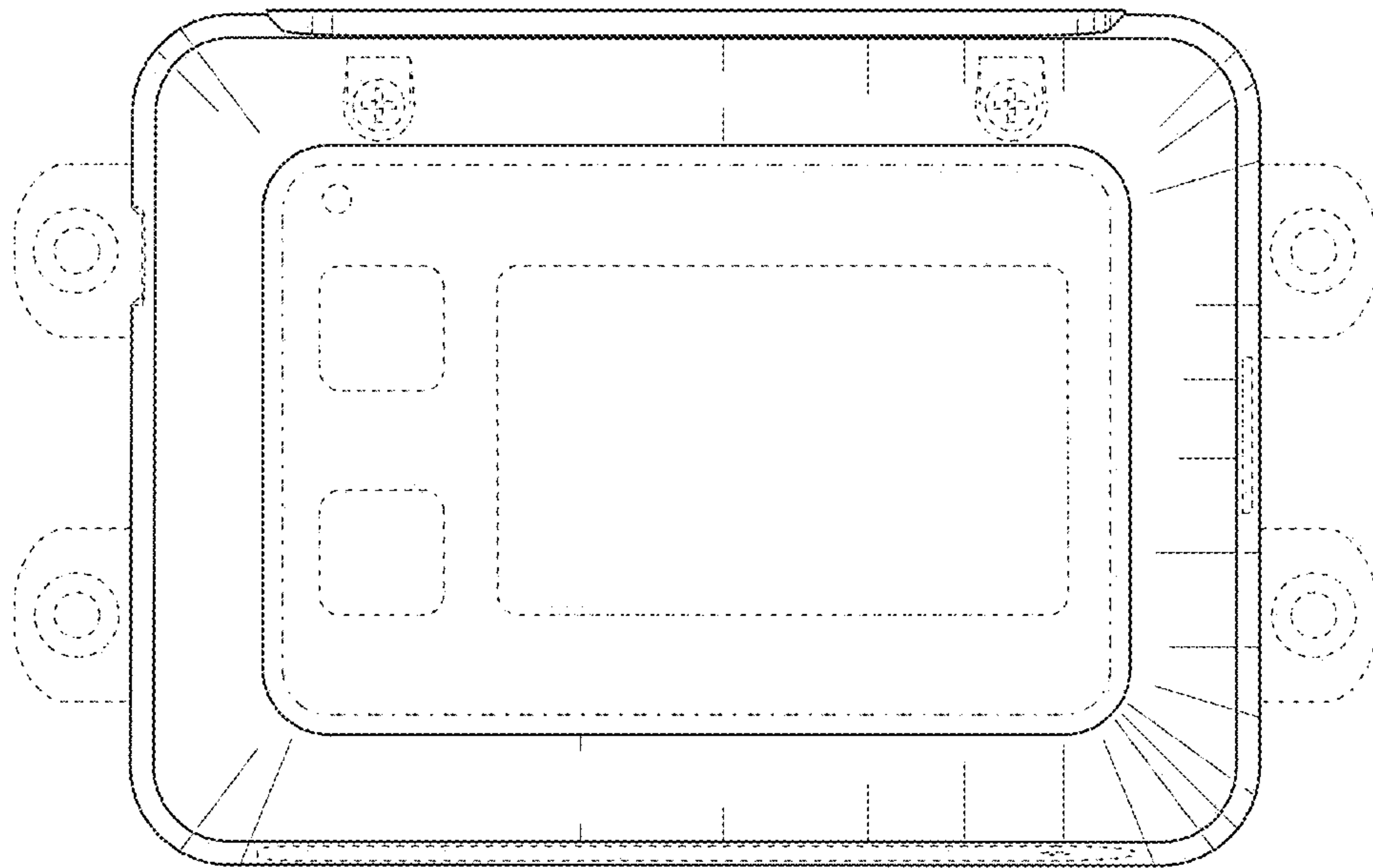


FIG. 13

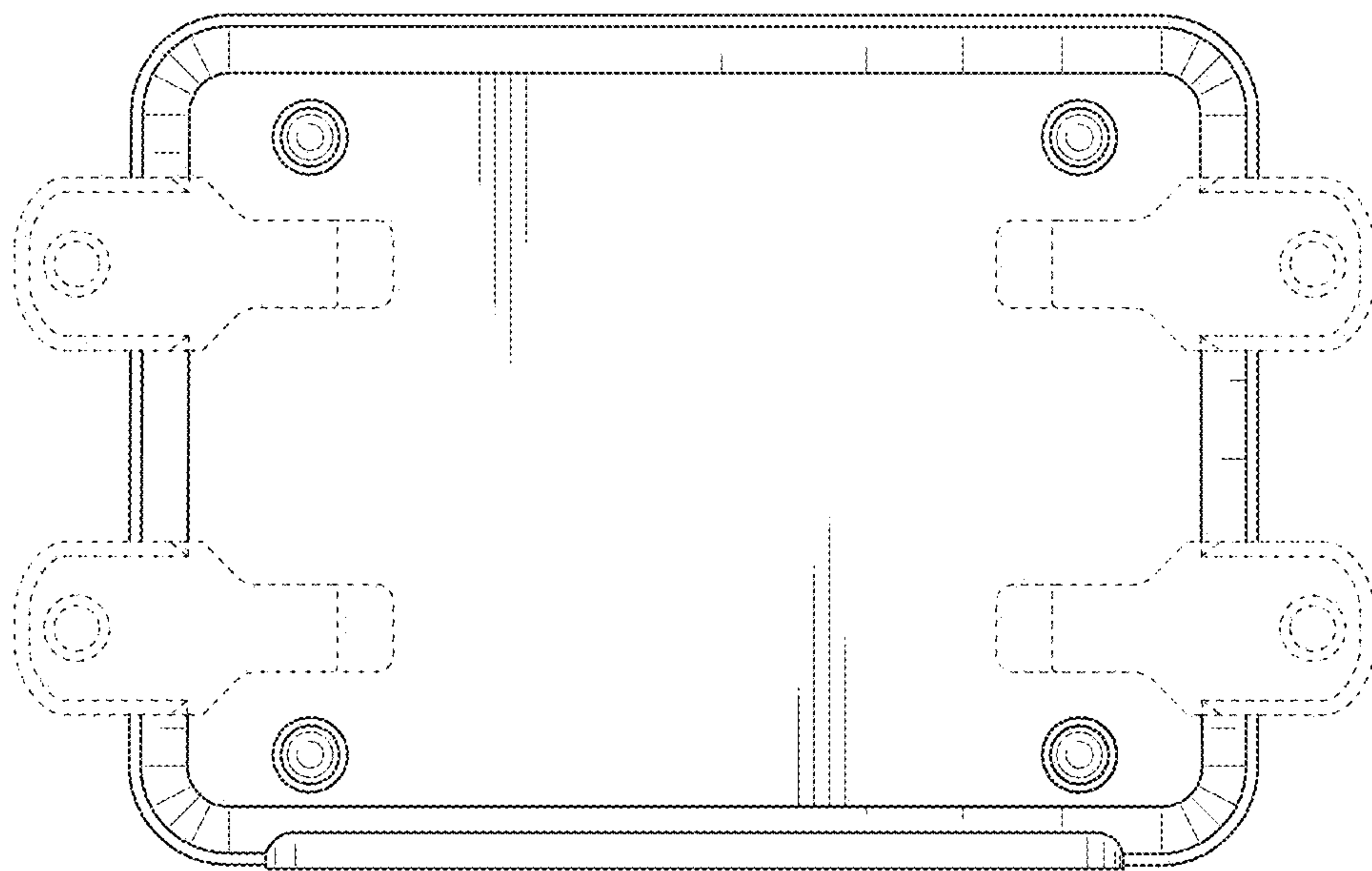


FIG. 14

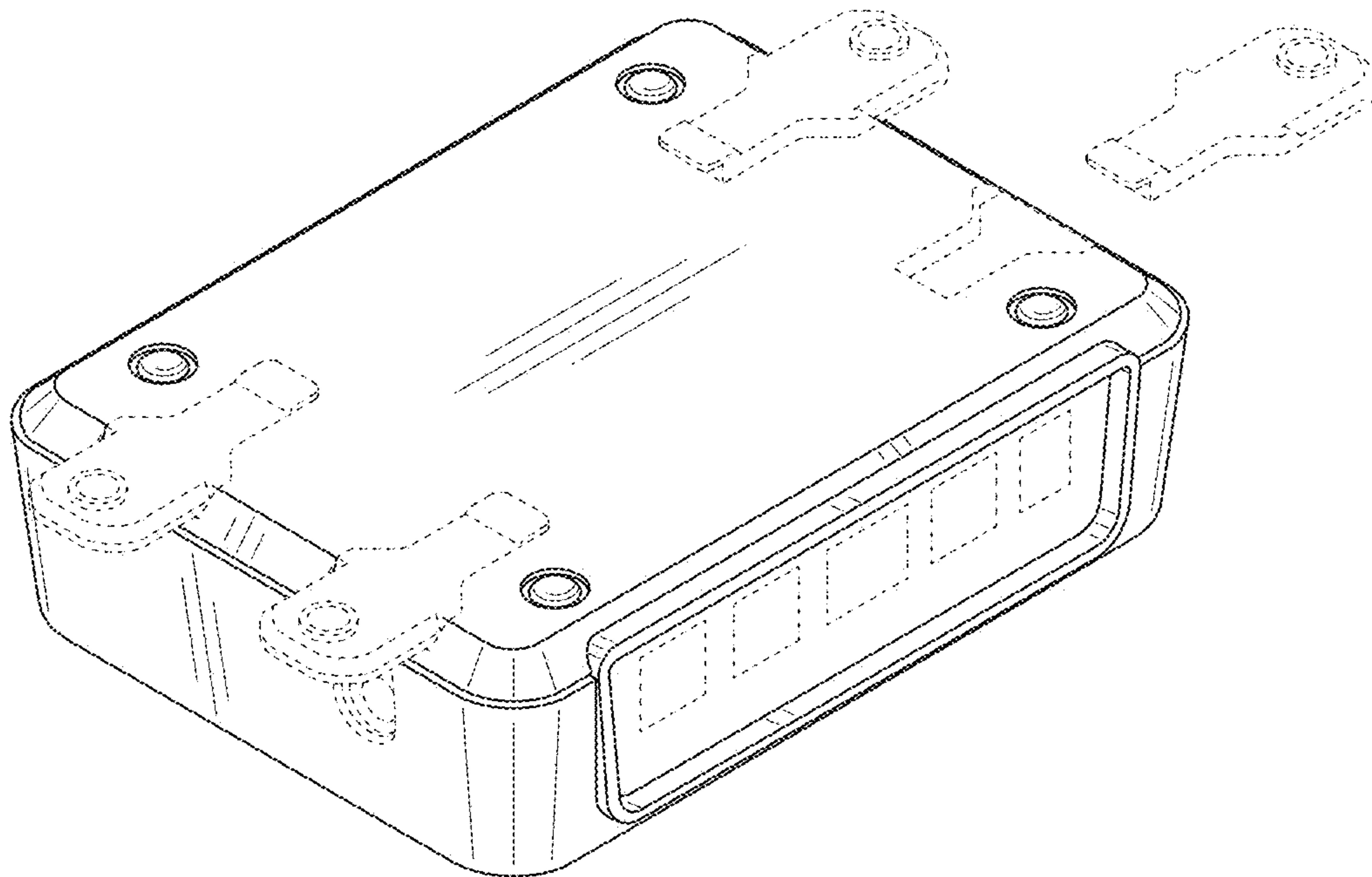


FIG. 15

