



US00D917438S

(12) **United States Design Patent** (10) **Patent No.:** **US D917,438 S**
Kuroda (45) **Date of Patent:** **** Apr. 27, 2021**

(54) **STAND FOR MONITOR**

21/0314; A47B 88/044; A47B 2021/0335;
F16B 47/00; F16B 47/006

(71) Applicant: **Tetsuji Kuroda**, Yokohama (JP)

See application file for complete search history.

(72) Inventor: **Tetsuji Kuroda**, Yokohama (JP)

(56) **References Cited**

(73) Assignee: **Ricoh Company, Ltd.**, Tokyo (JP)

U.S. PATENT DOCUMENTS

(**) Term: **15 Years**

D192,792 S * 5/1962 Morris D34/21
3,046,667 A * 7/1962 Martineau B21D 37/142
33/551
D247,169 S * 2/1978 Sheeley D34/21
7,290,777 B2 * 11/2007 Preston B62B 3/10
211/187
D742,863 S * 11/2015 Aoyagi D14/239
D809,324 S * 2/2018 Robins D6/675.4
D809,733 S * 2/2018 Newgent D34/31
D819,374 S * 6/2018 Kuehn D6/681.2

(21) Appl. No.: **29/726,637**

(22) Filed: **Mar. 4, 2020**

(Continued)

(30) **Foreign Application Priority Data**

Nov. 29, 2019 (JP) 2019-026581

(51) **LOC (13) Cl.** **14-03**

(52) **U.S. Cl.**
USPC **D14/239**

(58) **Field of Classification Search**
USPC D14/371-382, 125-129, 336, 337,
D14/447-452, 492, 335, 239, 457,
D14/439-441, 432, 251-253; D8/349,
D8/354, 363, 373, 376, 380; D21/333;
D12/415; D3/218; 348/180, 184, 325,
348/739, 825

CPC G06F 3/0412; G06F 3/016; G06F 3/0488;
G06F 3/011; G06F 3/038; G06F 3/03543;
G06F 3/0338; G06F 3/0202; G06F
3/0219; G06F 3/0213; G06F 1/1616;
G06F 3/023; G06F 3/04883; G02F
1/13338; G02F 1/1313; G02F 1/1333;
G02F 1/135; G02F 1/132; G02F
1/133308; G02F 1/134309; G02F
1/13718; G09G 3/3648; G06K 15/1252;
G03F 7/70291; F16M 13/02; F16M
13/00; F16M 11/10; F16M 11/04; F16M
2200/08; F16M 11/2021; H02G 3/126;
A47G 1/17; A47K 2201/00; B41J 2/465;
G02B 27/0172; G02B 5/30; G02B
2027/0118; G02B 27/0101; A47B

Primary Examiner — Katie Jane Stofko

(74) *Attorney, Agent, or Firm* — Oblon, McClelland,
Maier & Neustadt, L.L.P.

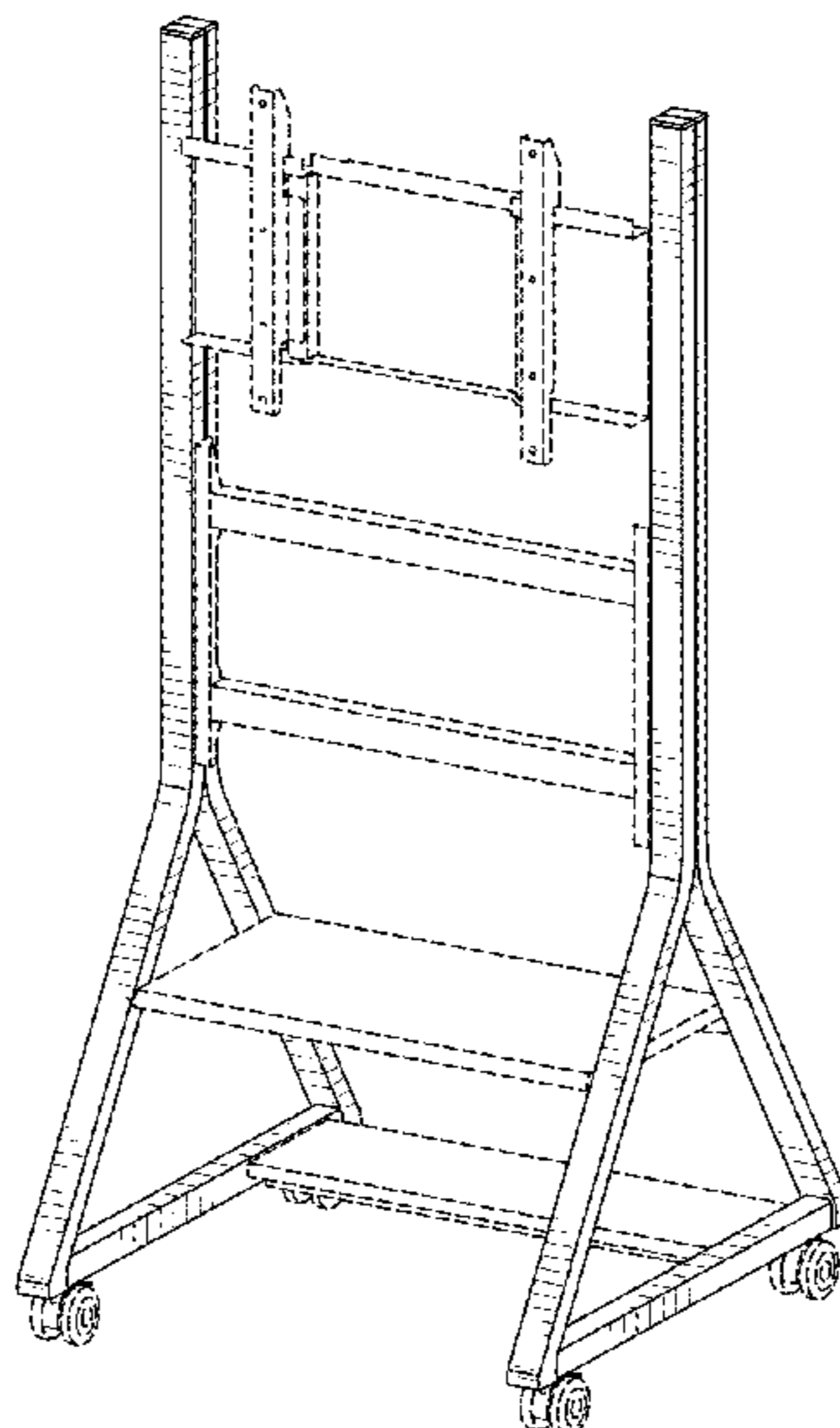
(57) **CLAIM**

The ornamental design for a stand for monitor, as shown and described.

DESCRIPTION

FIG. 1 is a front, top, and right side perspective view of a stand for monitor;
FIG. 2 is a rear, top, and left side perspective view thereof;
FIG. 3 is a front elevational view thereof;
FIG. 4 is a rear elevational view thereof;
FIG. 5 is a top plan view thereof;
FIG. 6 is a bottom plan view thereof; and,
FIG. 7 is a left side elevational view thereof, the left side elevational view being a mirror image of the right side elevational view.
The broken lines shown in the figures are for the purpose of illustrating portions of the stand for a monitor that form no part of the claimed design.

1 Claim, 6 Drawing Sheets



(56)

References Cited

U.S. PATENT DOCUMENTS

D820,818 S	*	6/2018	Heckler	D14/239
D821,371 S	*	6/2018	Heckler	D14/239
D822,109 S	*	7/2018	Avallon	D19/114
D829,453 S	*	10/2018	Neri	D6/343
D886,821 S	*	6/2020	Escolin	D14/375

* cited by examiner

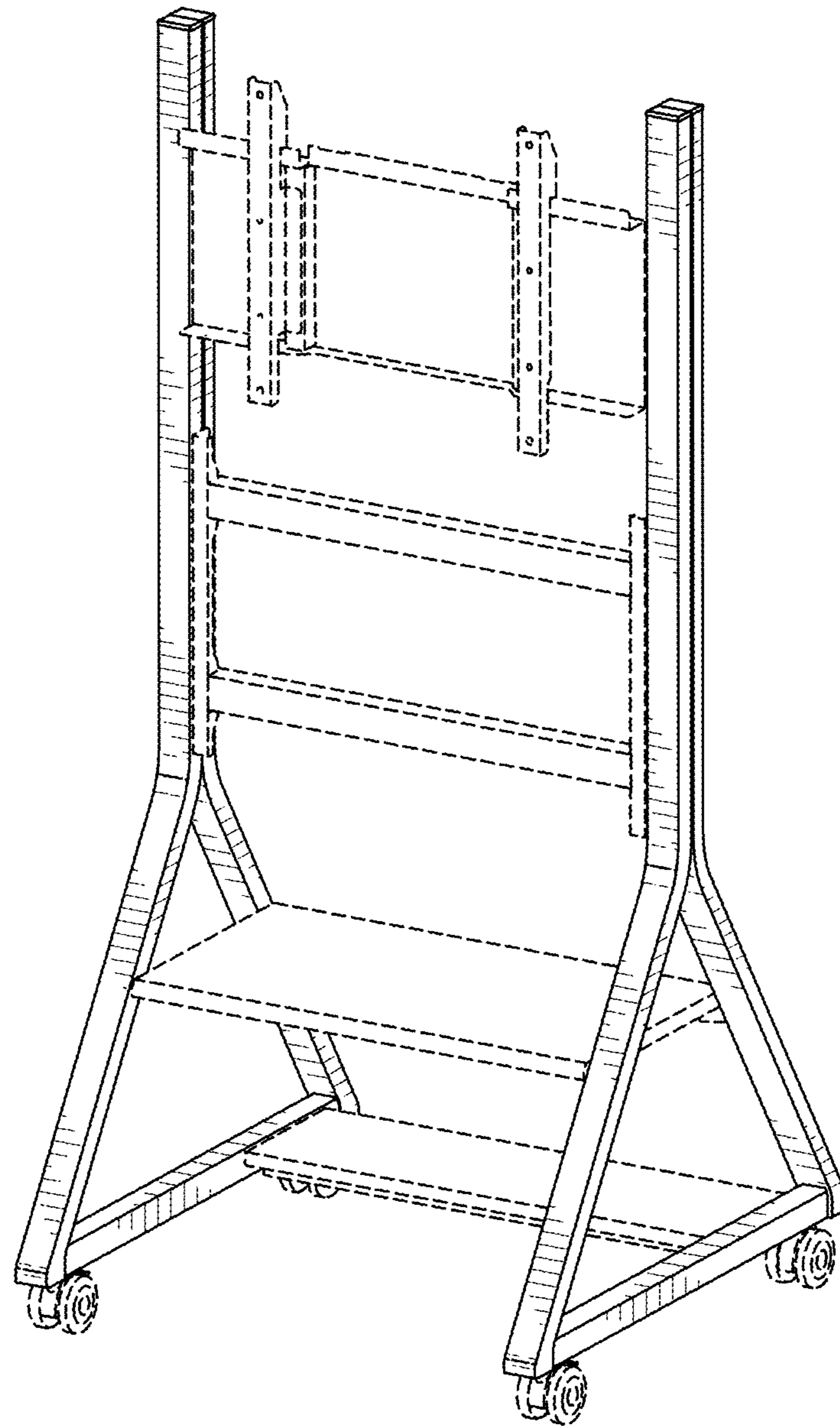


FIG. 1

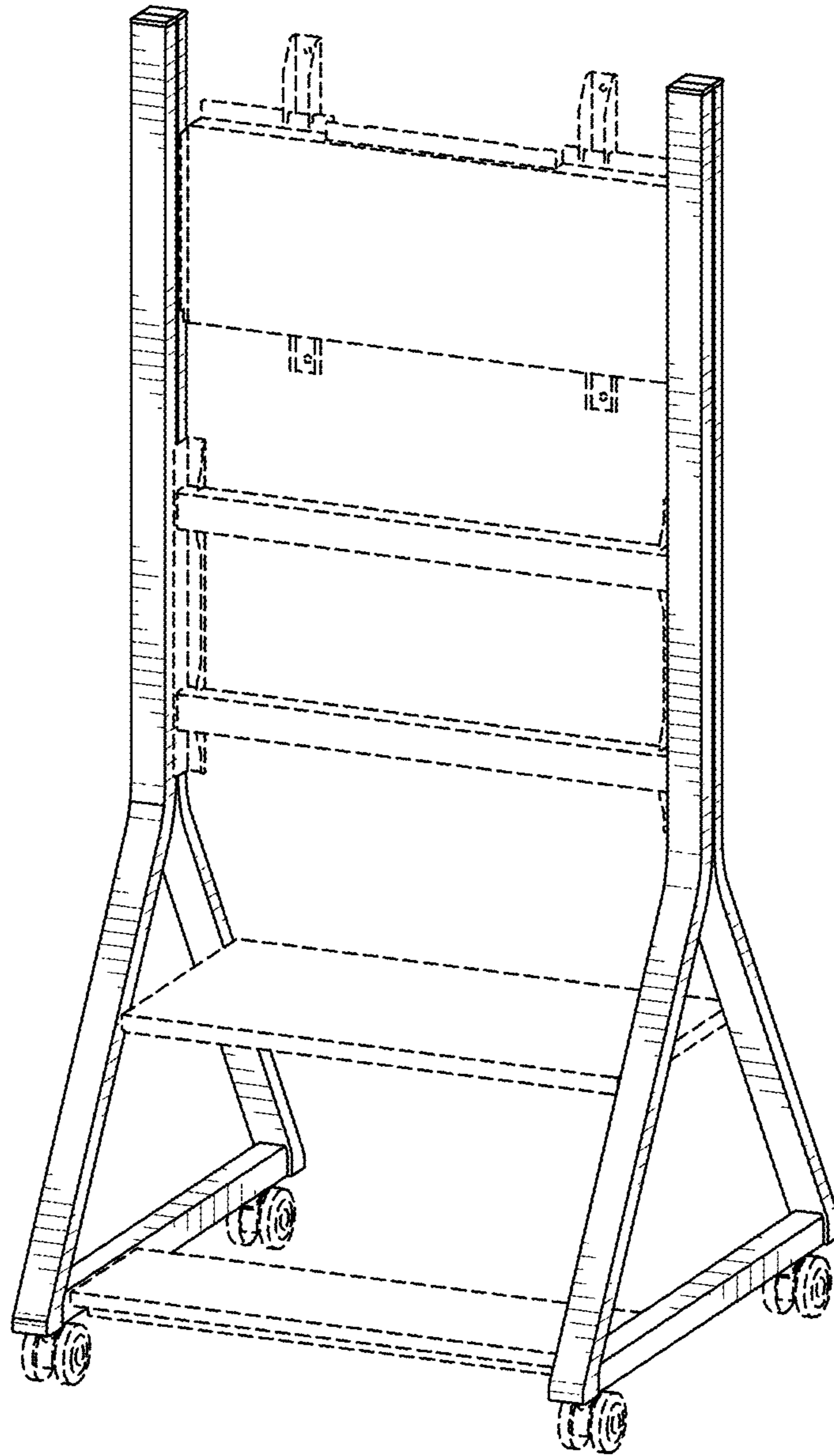


FIG. 2

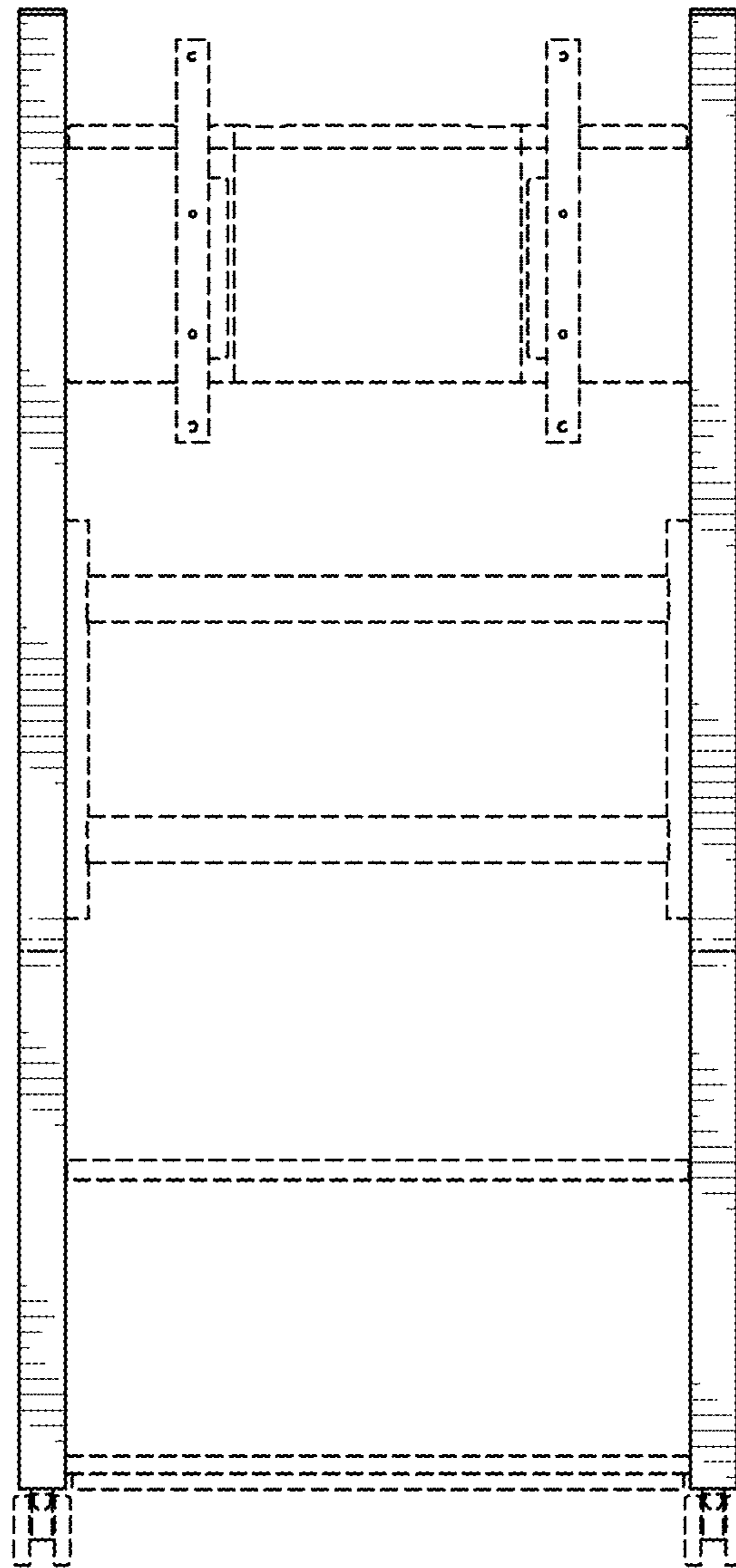


FIG. 3

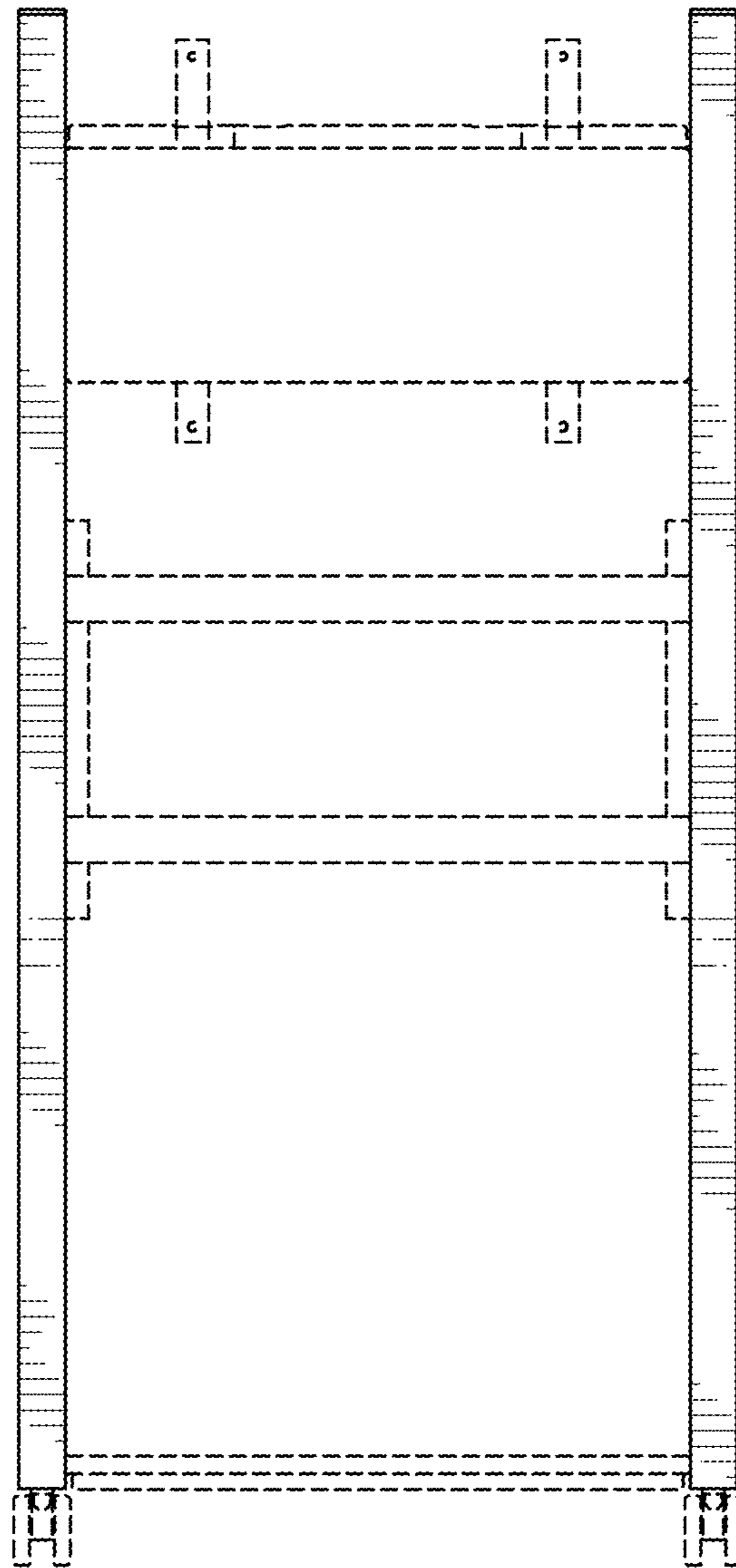


FIG. 4

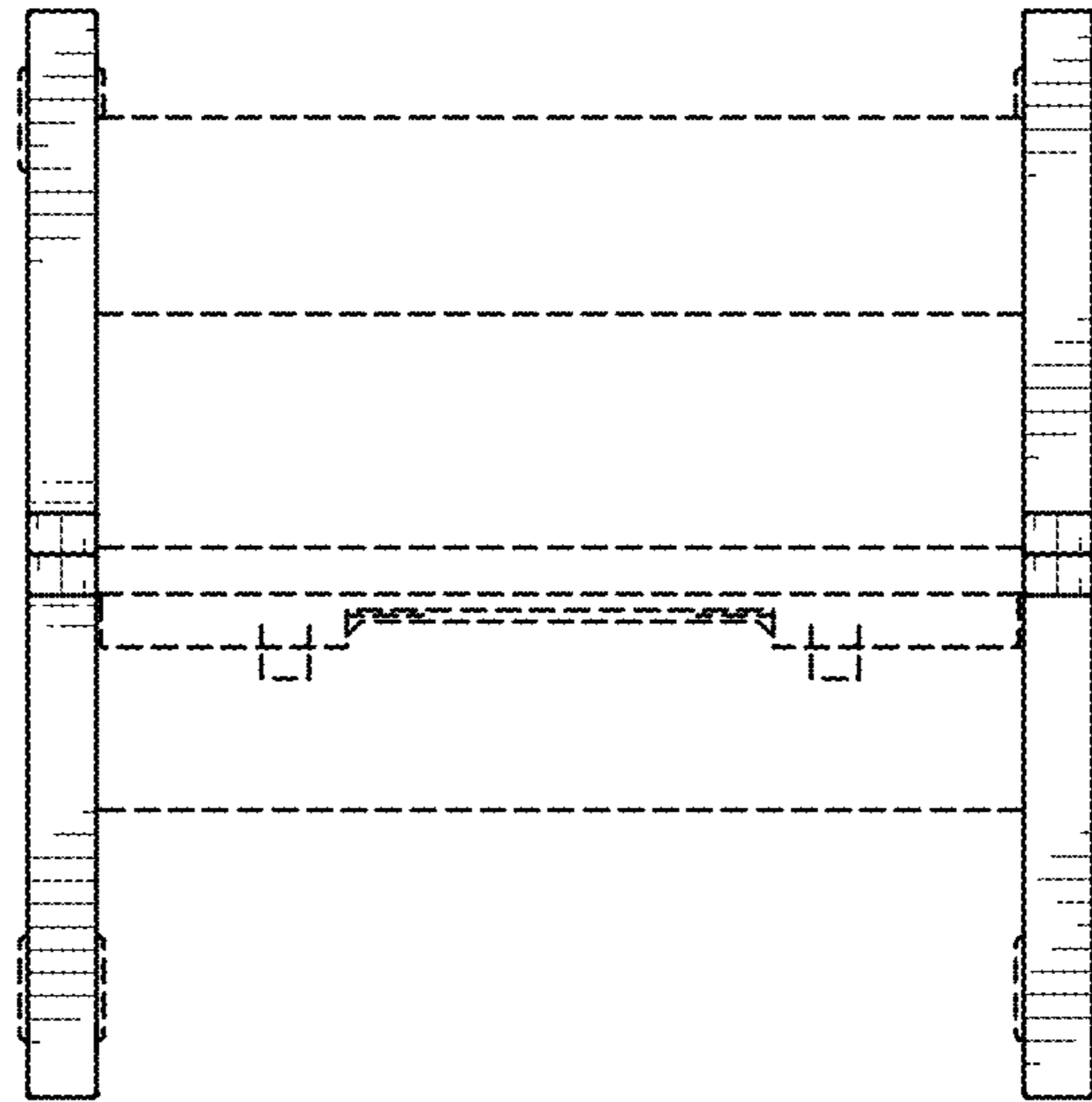


FIG. 5

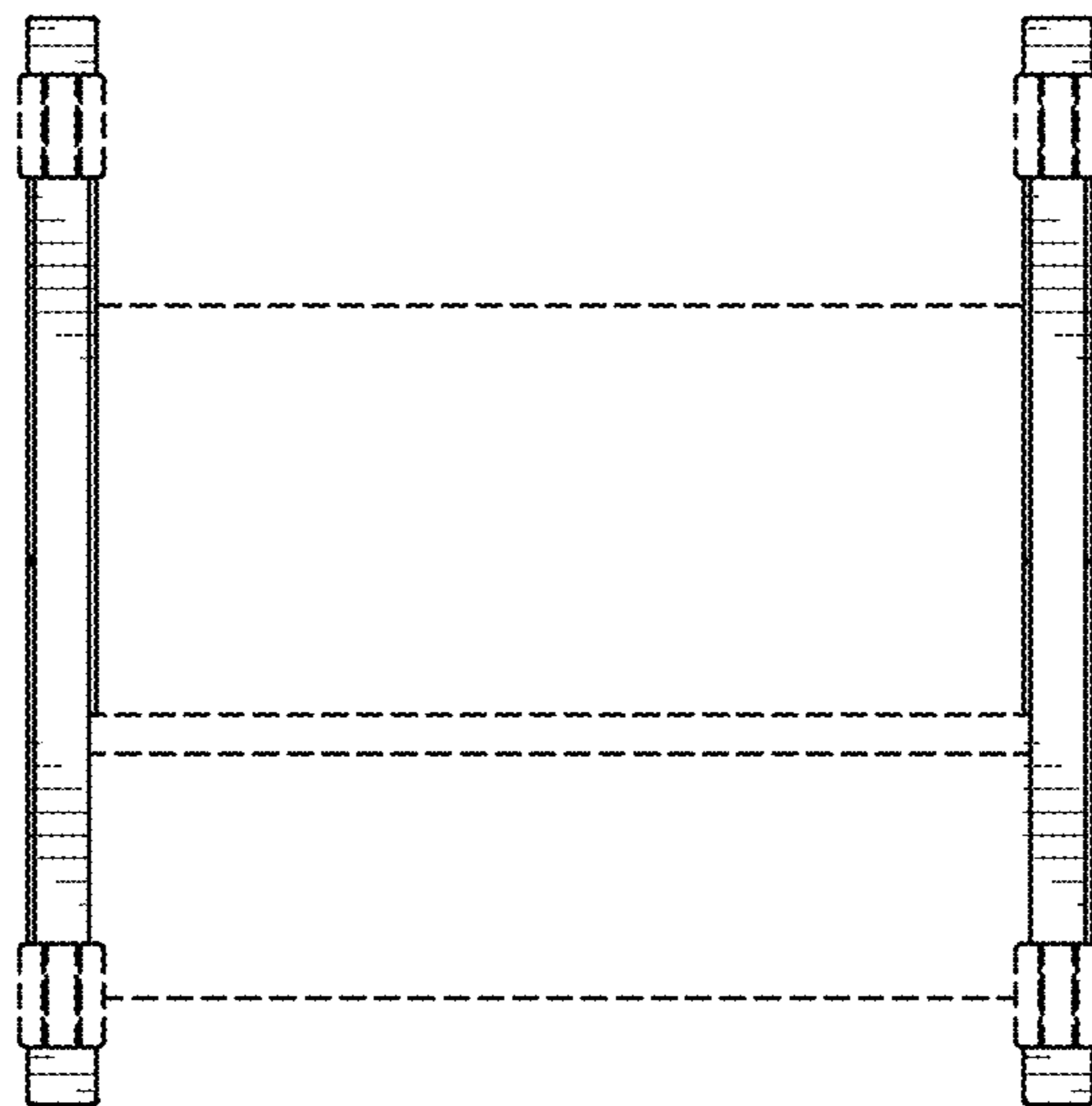


FIG. 6

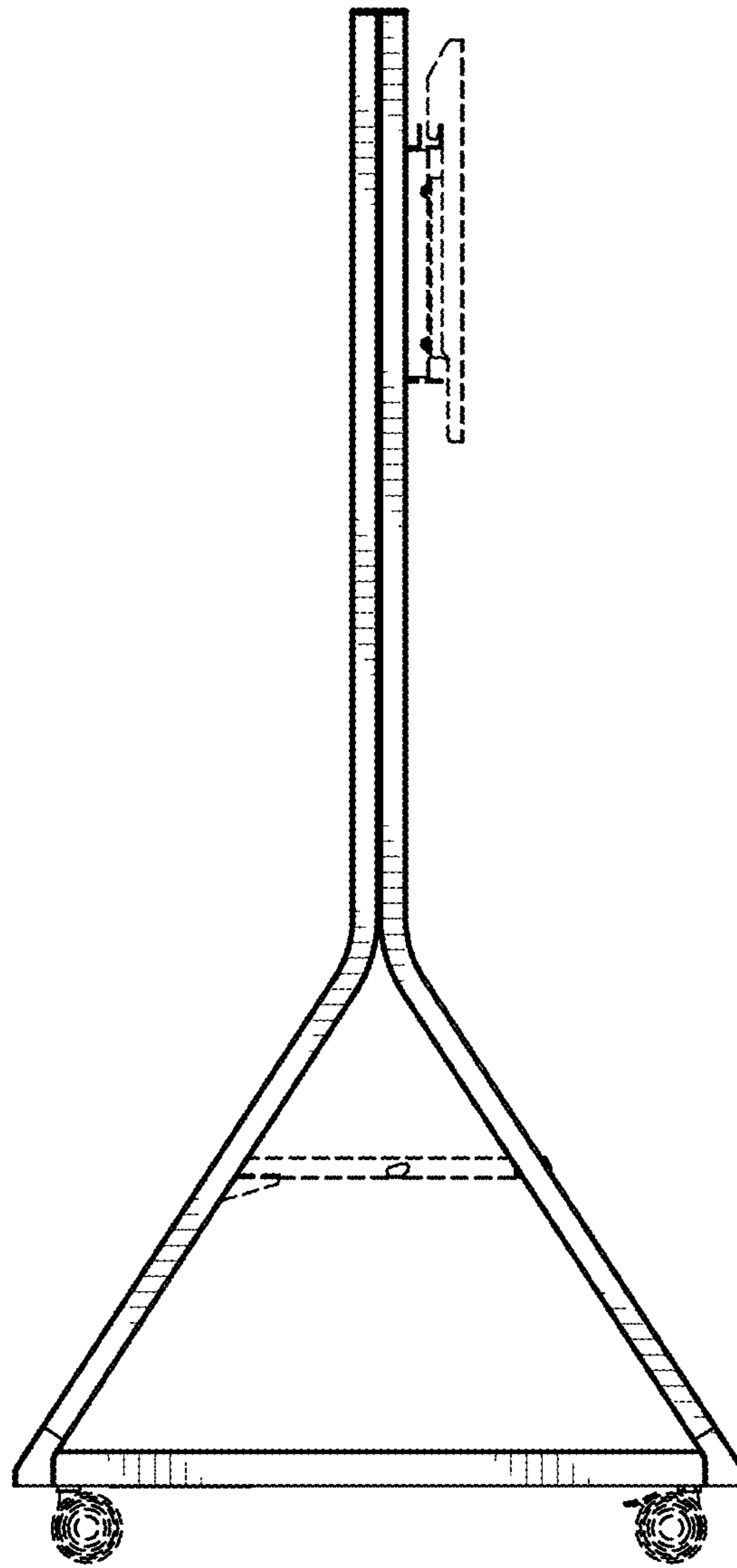


FIG. 7