



US00D917437S

(12) **United States Design Patent** (10) **Patent No.:** **US D917,437 S**
Wu et al. (45) **Date of Patent:** **** Apr. 27, 2021**

(54) **TV BRACKET**

(71) Applicant: **Ningbo Somle Audio-Visual Technology Co., Ltd., Ningbo (CN)**

(72) Inventors: **Xiaojun Wu, Ningbo (CN); Weidong Chen, Ningbo (CN)**

(73) Assignee: **Ningbo Somle Audio-Visual Technology Co., Ltd., Ningbo (CN)**

(**) Term: **15 Years**

(21) Appl. No.: **29/706,855**

(22) Filed: **Sep. 24, 2019**

(51) **LOC (13) Cl.** **14-03**

(52) **U.S. Cl.**
USPC **D14/239**

(58) **Field of Classification Search**
USPC ... D14/239, 217, 224, 230, 238, 238.1, 432, D14/300, 336, 371-382, 125-129, 337, D14/447-452, 492, 335, 457, 439-441, D14/251-253; D6/672; D8/349, 363, D8/354, 373, 376, 380; D21/333; D12/415; D3/218; 348/180, 184, 325, 348/739, 825

CPC .. F16M 11/24; F16M 11/045; F16M 11/2014; F16M 11/2064; F16M 13/02; F16M 13/00; F16M 11/10; F16M 11/04; F16M 2200/08; F16M 11/2021; Y10S 248/92; G02F 1/1313; G02F 1/1333; G02F 1/135; G02F 1/132; G02F 1/133308; G02F 1/134309; G02F 1/13718; G02F 1/13338; G06K 15/1252; B41J 2/465; G03F 7/70291; G02B 27/0172; G02B 5/30; G02B 2027/0118; G02B 27/0101; G06F 3/0412; G06F 3/011; G06F 3/038; G06F 3/03543; G06F 3/0338; G06F 3/0202; G06F 3/0219; G06F 3/0213; G06F 1/1616; G06F 3/023;

(Continued)

(56) **References Cited**

U.S. PATENT DOCUMENTS

D474,047 S * 5/2003 Lara D6/675.1
D539,566 S * 4/2007 Anderson D6/676.1

(Continued)

OTHER PUBLICATIONS

Mobile TV Stand Cart Mount Wheels Shelf, first available 2020, newegg.com, [online], [site visited Nov. 12, 2020], Available from internet URL: <https://www.newegg.com/p/169-01AJ-00018> (Year: 2020).*

(Continued)

Primary Examiner — Nathaniel D. Buckner

Assistant Examiner — Holly M Rodriguez

(74) *Attorney, Agent, or Firm* — Greensfelder, Hemker & Gale, P.C.; Richard C. Himelhoch

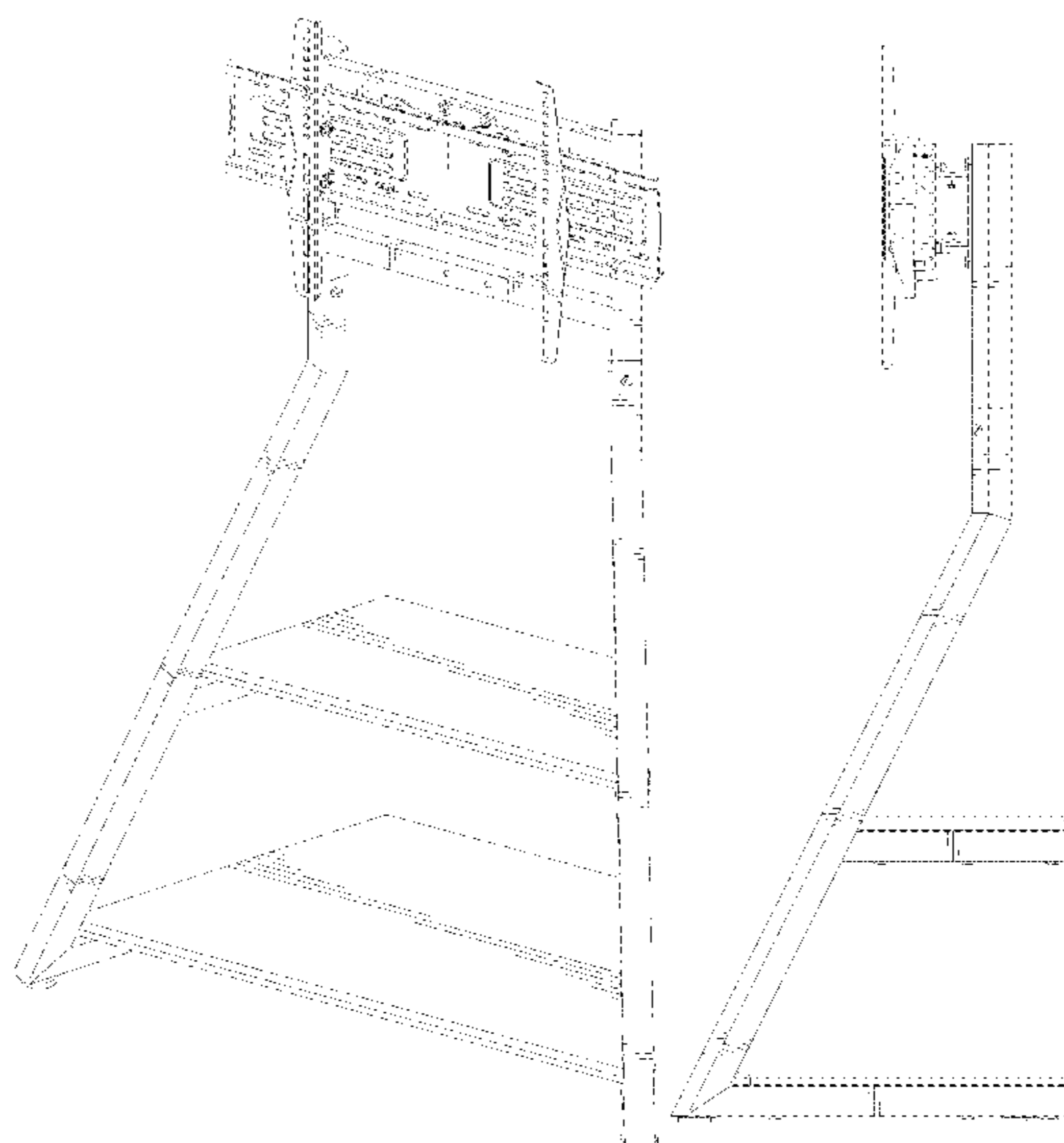
(57) **CLAIM**

We claim the ornamental design for a TV bracket, as shown and described.

DESCRIPTION

FIG. 1 is a front perspective view of a TV bracket in accordance with the present design;
FIG. 2 is a rear perspective view of the TV bracket of FIG. 1;
FIG. 3 is a front side plan view of the TV bracket of FIG. 1;
FIG. 4 is a rear side plan view of the TV bracket of FIG. 1;
FIG. 5 is a left side plan view of the TV bracket of FIG. 1;
FIG. 6 is a right side plan view of the TV bracket of FIG. 1;
FIG. 7 is a top plan view of the TV bracket of FIG. 1; and
FIG. 8 is a bottom plan view of the TV bracket of FIG. 1.

1 Claim, 8 Drawing Sheets



(58) **Field of Classification Search**

CPC G06F 3/04883; G06F 3/0488; G06F 3/016;
G09G 3/3648; A47B 21/0314; A47B
88/044; A47B 2021/0335; F16B 47/00;
F16B 47/006; H02G 3/126; A47G 1/17;
A47K 2201/00

See application file for complete search history.

D784,999 S * 4/2017 Cutler D14/447
2011/0079687 A1* 4/2011 Grove F16M 11/08
248/168
2011/0079688 A1* 4/2011 Grove F16M 11/38
248/176.3

OTHER PUBLICATIONS

(56)

References Cited

U.S. PATENT DOCUMENTS

D567,546 S * 4/2008 Liu D6/678.1
D570,620 S * 6/2008 Ongor D6/675.1
D593,776 S * 6/2009 Sexton D6/678.2
D618,015 S * 6/2010 Sexton D6/678.2
D630,870 S * 1/2011 Sexton D6/675.3
D640,071 S * 6/2011 Sexton D6/678.2
D719,384 S * 12/2014 Sowers D6/678.2
D782,491 S * 3/2017 Cutler D14/447

Universal Floor TV Stand Swivel Mount, first available 2020, newegg.com, [online], [site visited Nov. 12, 2020], Available from internet URL: <https://www.newegg.com/p/169-01AJ-00010?Item=9SIARJSC0U9909> (Year: 2020).*

Flat Screen Tv Stands ,Universal Black Tv Stand , first available 2020, alibaba.com, [online], [site visited Nov. 12, 2020], Available from internet URL: https://lumi.en.alibaba.com/product/60646707950211954768/Flat_Screen_Tv_Stands_Universal_Black_Tv_Stand_On_Wheels_For_Sale.html (Year: 2020).*

* cited by examiner

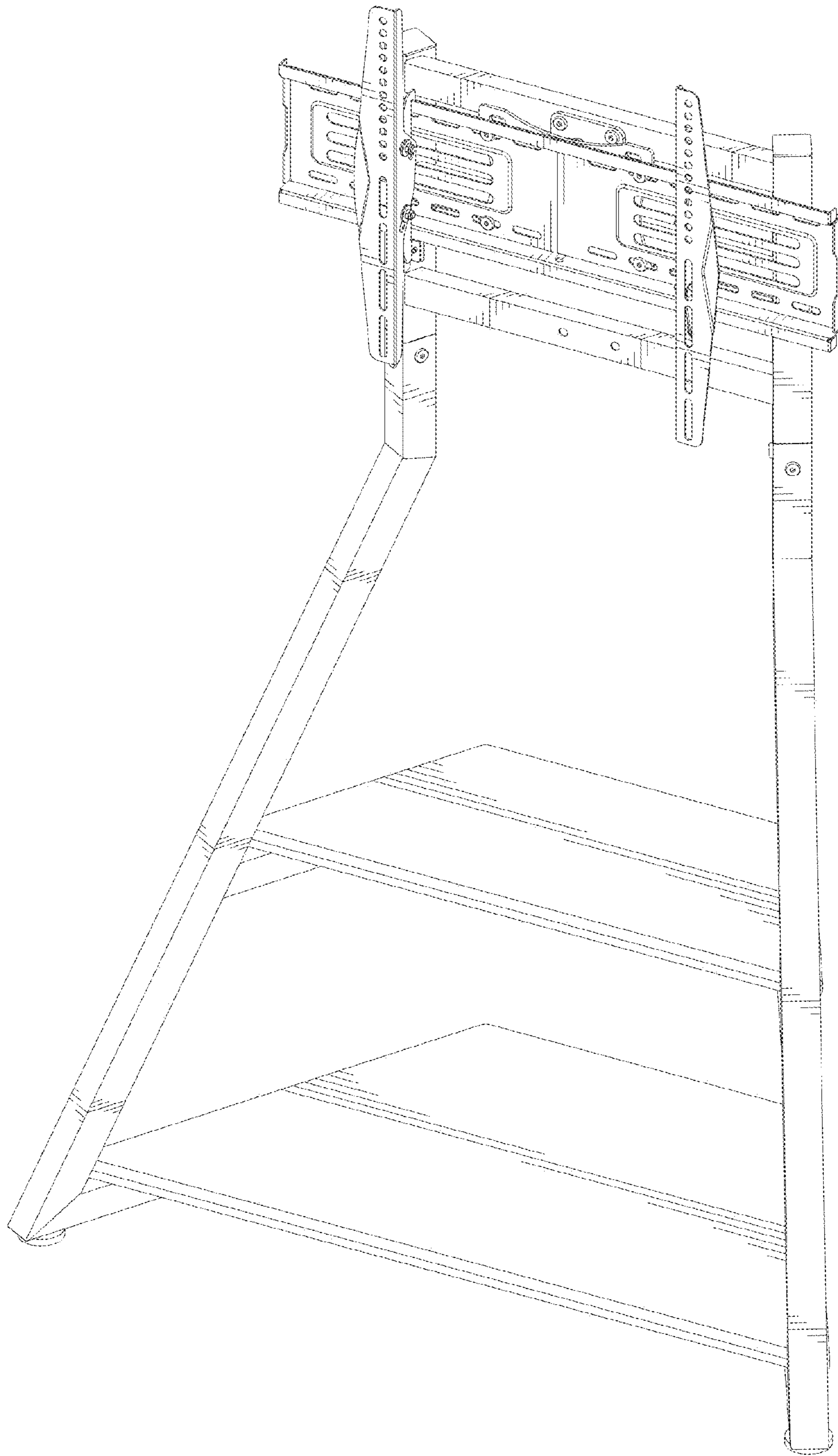


FIG.1

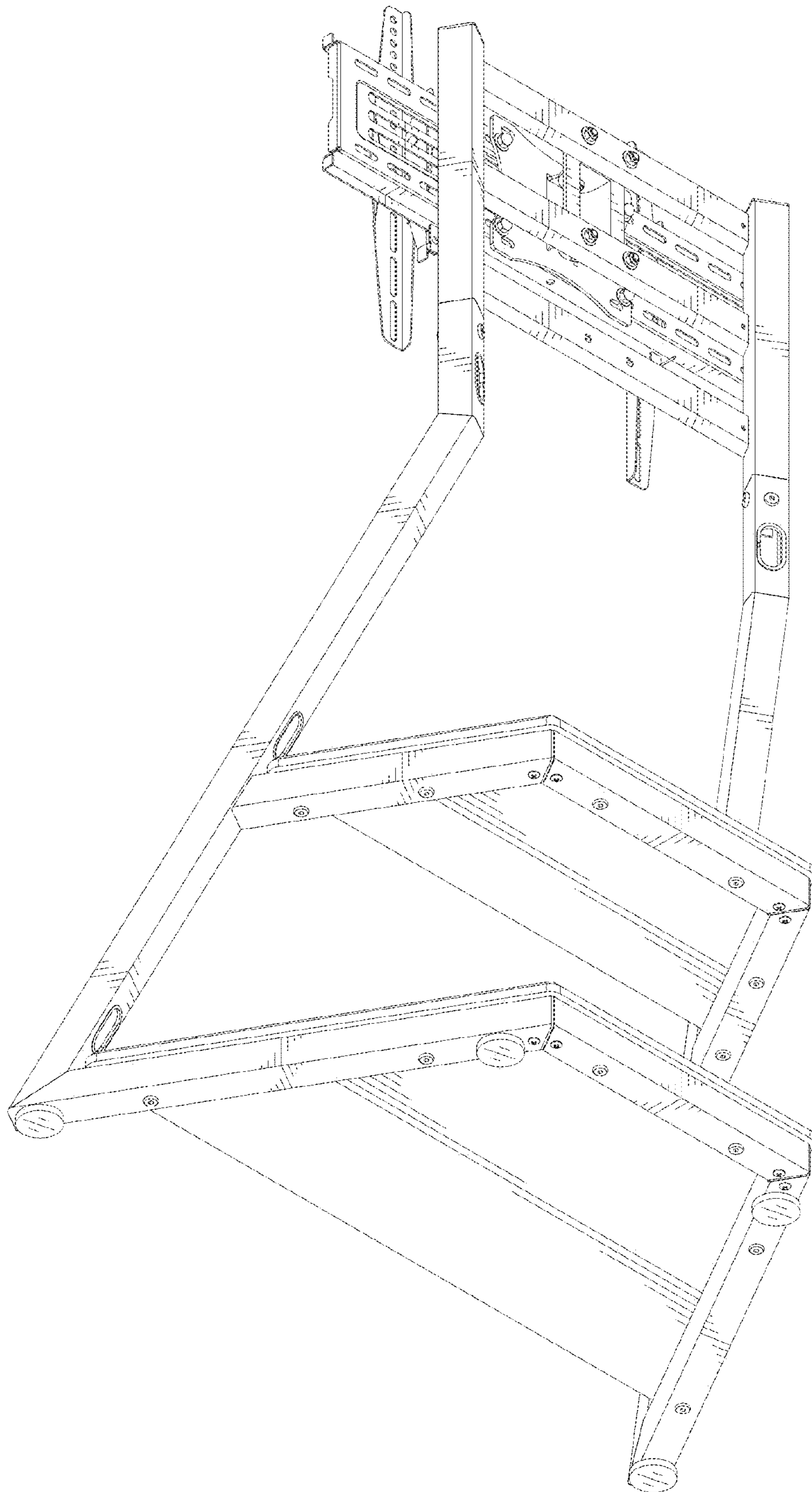


FIG.2

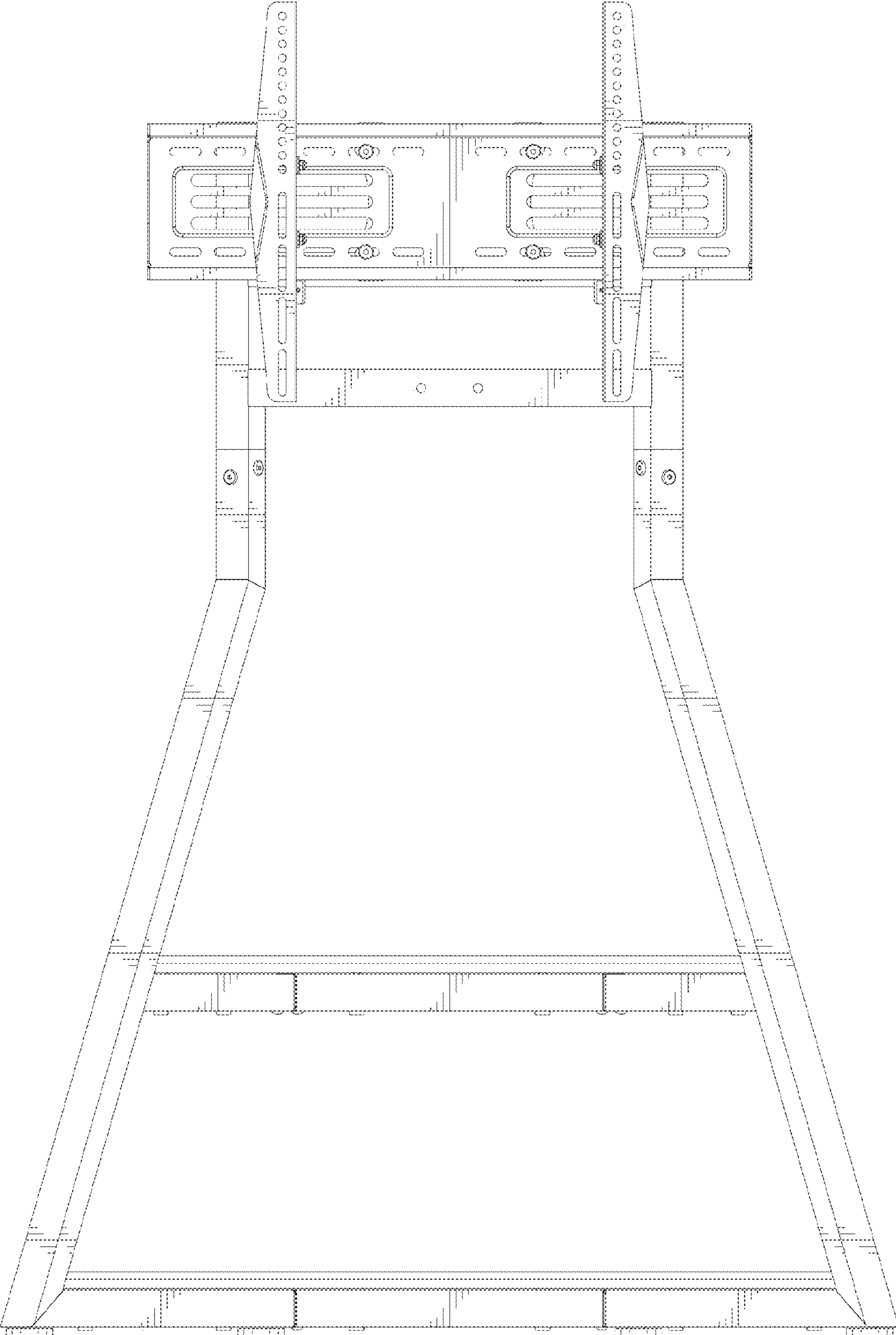


FIG.3

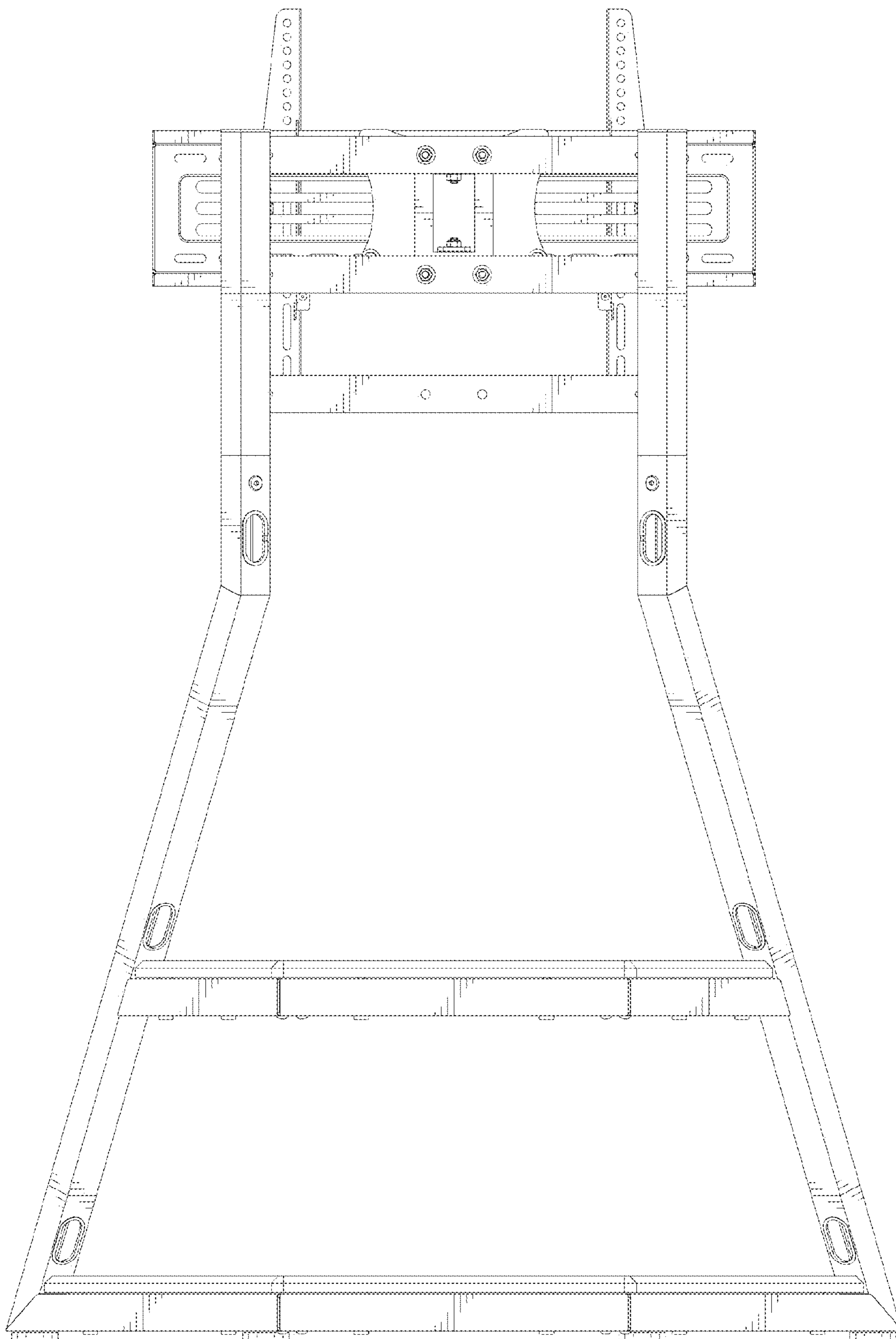


FIG.4

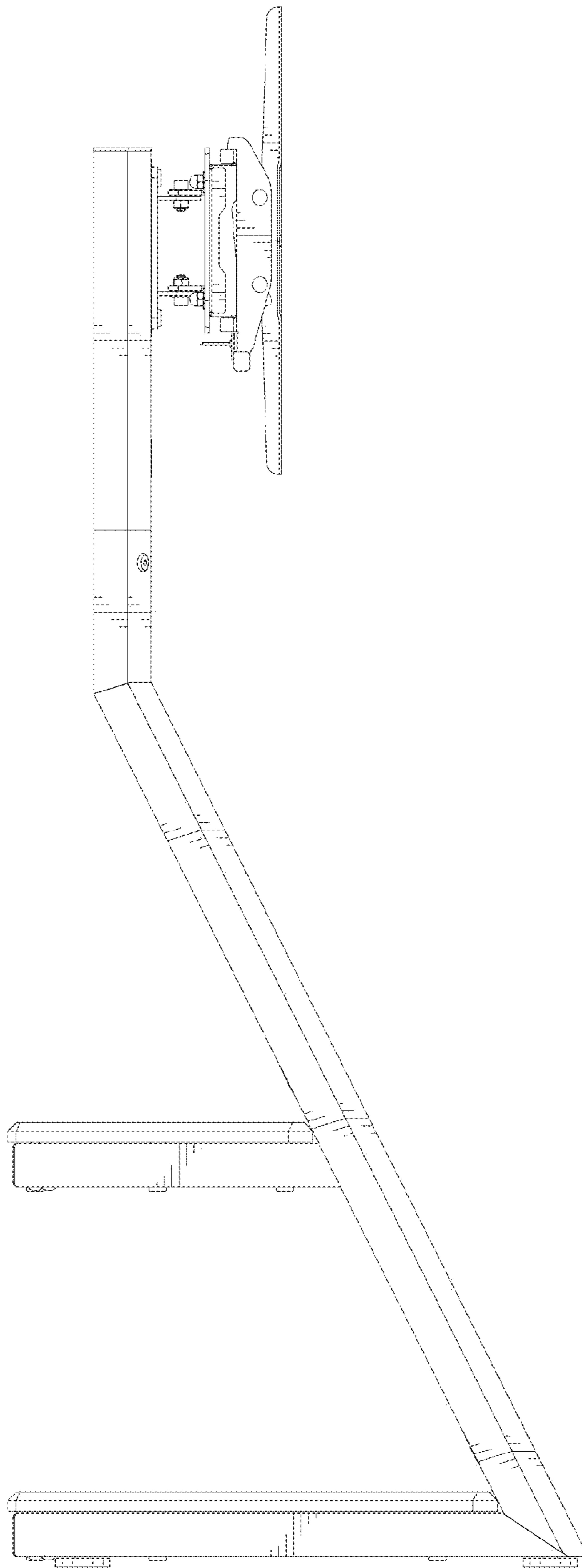


FIG.5

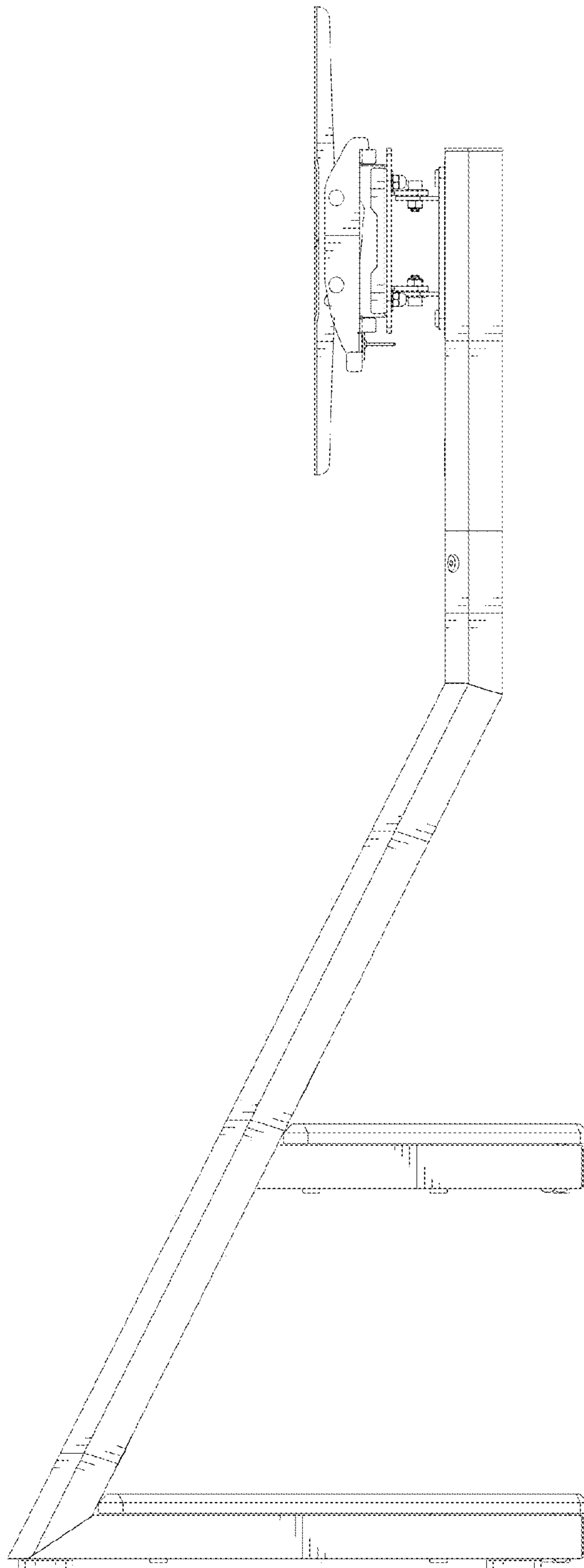


FIG.6

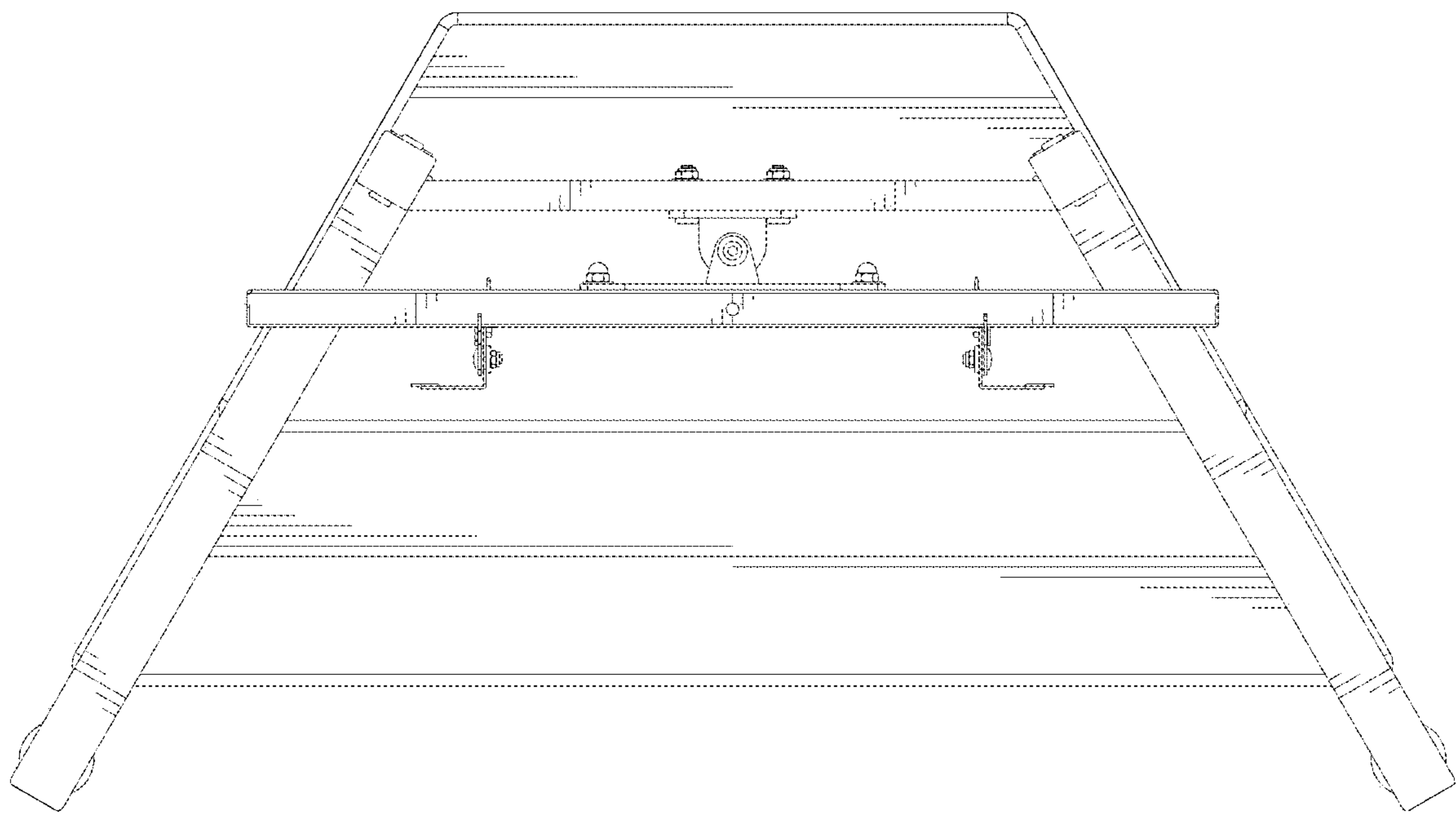


FIG.7

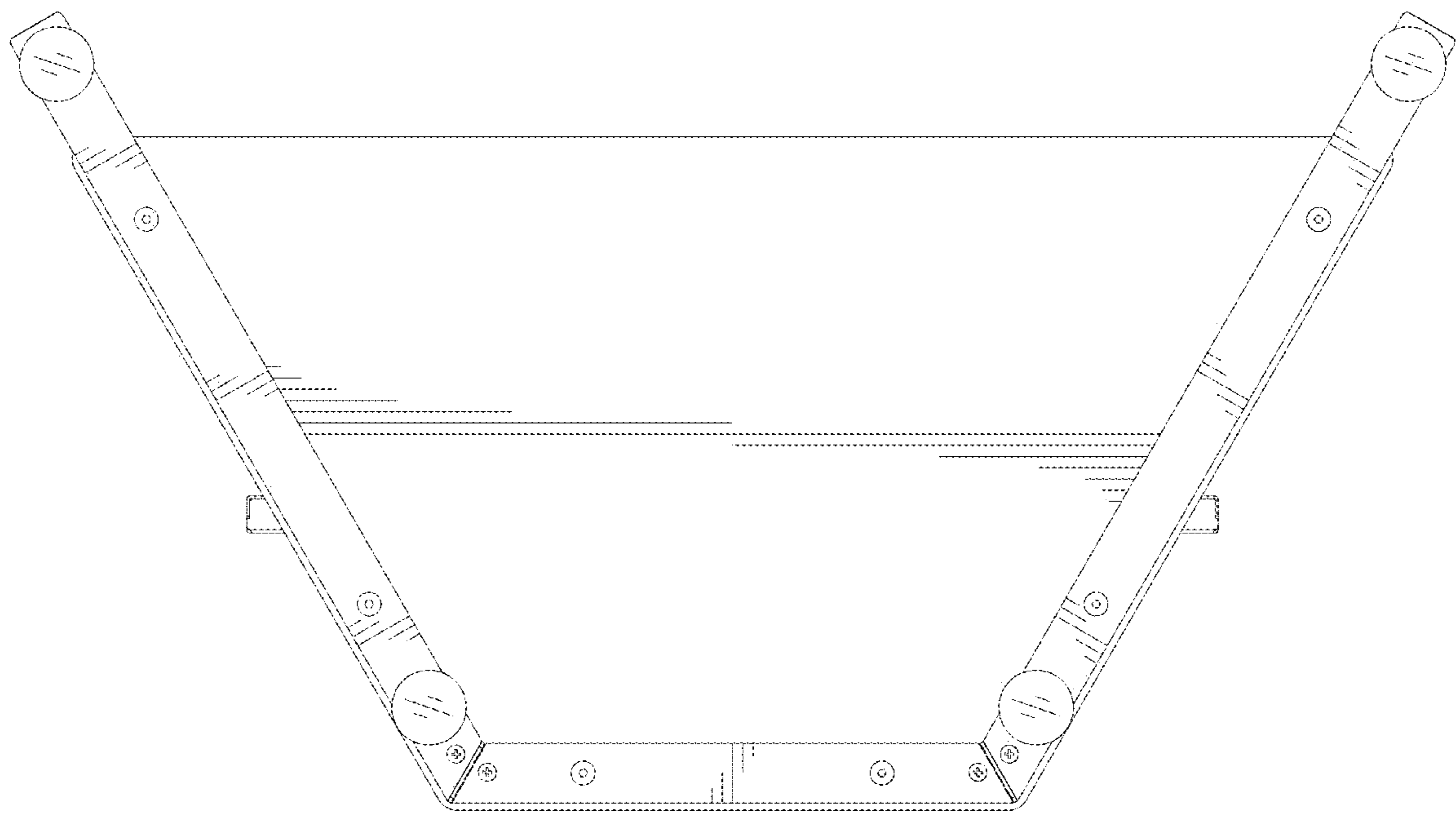


FIG.8