



US00D917432S

(12) **United States Design Patent**
Mai

(10) **Patent No.:** **US D917,432 S**
(45) **Date of Patent:** **** Apr. 27, 2021**

(54) **MICROPHONE**

(71) Applicant: **SHENZHEN XUNWEIJIA TECHNOLOGY DEVELOPMENT CO., LTD.**, Shenzhen (CN)

(72) Inventor: **Qibin Mai**, Shenzhen (CN)

(73) Assignee: **SHENZHEN XUNWEIJIA TECHNOLOGY DEVELOPMENT CO., LTD.**, Shenzhe (CN)

(**) Term: **15 Years**

(21) Appl. No.: **29/741,109**

(22) Filed: **Jul. 9, 2020**

(51) **LOC (13) Cl.** **14-01**

(52) **U.S. Cl.**
USPC **D14/227; D14/229**

(58) **Field of Classification Search**
USPC D14/227, 229, 225, 228, 226, 497, 155, D14/240, 243, 256, 140, 452, 252, 251; D10/104.1; D13/108, 110; 181/158; 381/355, 361, 113, 191, 357, 174, 362; D21/483; 248/411, 278.1, 184.1, 558, 248/222.13, 917, 185.1, 206.5; D6/513, D6/716.8, 574; D8/355; D16/214, 131, D16/130, 135; 379/454; 224/553; 403/61, 55

CPC H04R 9/08; H04R 19/02; H04R 19/04; H04R 19/06; H04R 25/00; H04R 11/04; H04R 3/00; H04R 1/08; H04R 1/20; H04R 1/02; H04R 1/086; A47F 5/00; F16M 11/00; F16M 13/02
See application file for complete search history.

(56) **References Cited**

U.S. PATENT DOCUMENTS

1,680,560 A * 8/1928 McDonald F21V 21/26 403/55
1,988,001 A * 1/1935 Flanders H04R 1/083 381/113

2,081,622 A * 5/1937 Foster H04R 1/08 381/361
2,123,103 A * 7/1938 Fischel H01R 39/00 439/23
2,156,367 A * 5/1939 Zadek F16M 11/10 403/93
2,459,040 A * 1/1949 Miller F16M 11/10 248/183.1
2,459,785 A * 1/1949 Allerton F16B 7/1427 248/412

(Continued)

FOREIGN PATENT DOCUMENTS

CN 305017573 * 1/2019
CN 306118289 * 10/2020
EM 005216140-0001 * 4/2018

Primary Examiner — Paula Allen Greene

(74) *Attorney, Agent, or Firm* — Law Offices of Steven W. Weinrieb

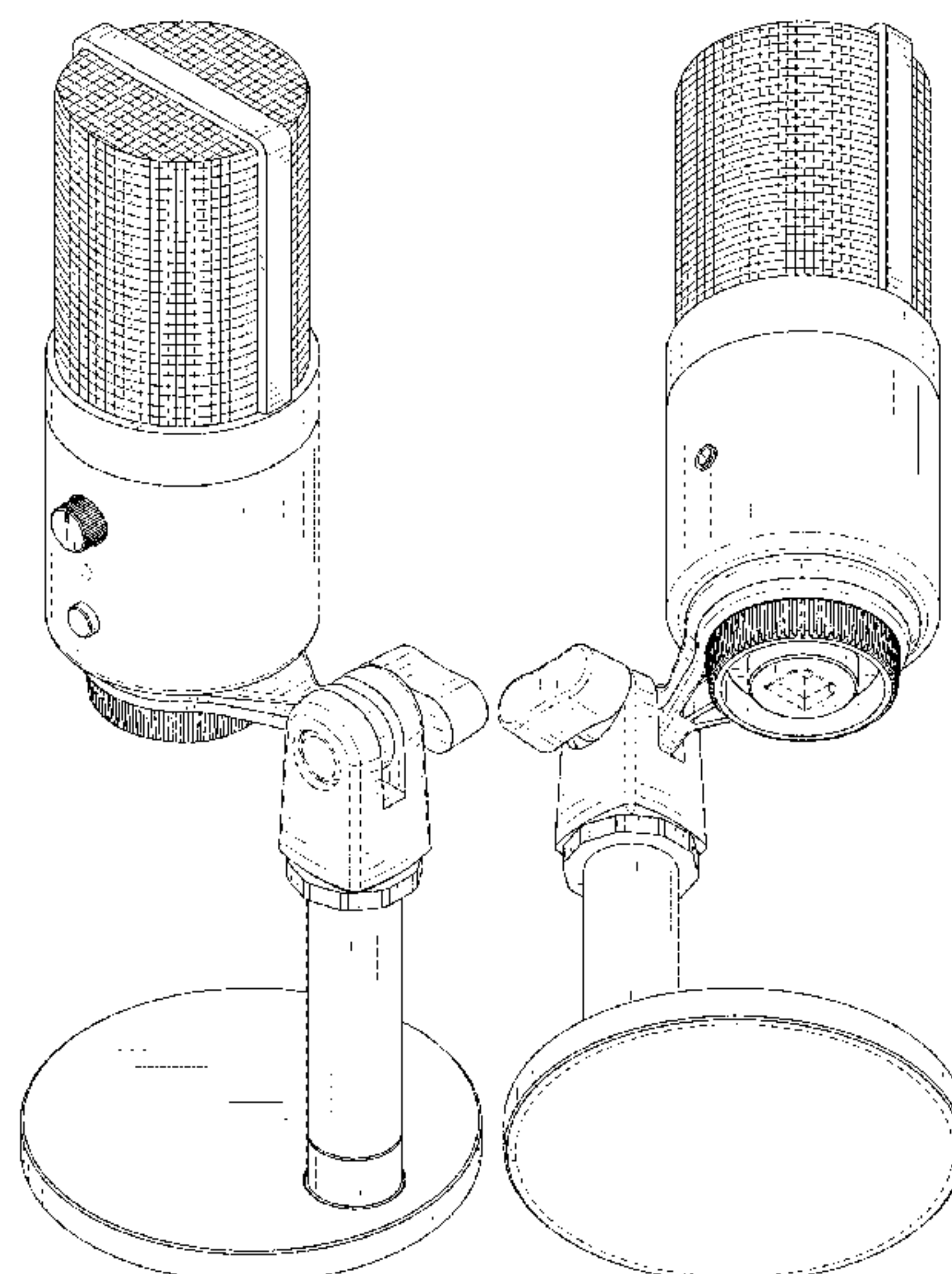
(57) **CLAIM**

The ornamental design for a microphone, as shown and described.

DESCRIPTION

FIG. 1 is a front, right side, top perspective view of a microphone showing my new design; FIG. 2 is a rear, left side, bottom perspective view thereof; FIG. 3 is a front elevational view thereof; FIG. 4 is a rear elevational view thereof; FIG. 5 is a left side elevational view thereof; FIG. 6 is a right side elevational view thereof; FIG. 7 is a top plan view thereof; and, FIG. 8 is a bottom plan view thereof. The broken lines depict portions of the microphone that form no part of the claimed design.

1 Claim, 8 Drawing Sheets



(56)	References Cited				
	U.S. PATENT DOCUMENTS				
2,567,875	A *	9/1951	Carrington	H04R 1/222 381/360	5,357,577 A * 10/1994 Waji H01J 7/24 361/704
2,650,788	A *	9/1953	Hulstein	F16M 11/2078 248/231.71	D353,684 S * 12/1994 Moussa D26/113
2,773,933	A *	12/1956	Hawley	H04R 1/406 381/357	5,398,901 A * 3/1995 Brodmann A47B 81/06 248/181.1
D179,540	S *	1/1957	Knechtsberger	D14/227	5,400,991 A * 3/1995 Werner F16M 11/08 248/230.4
2,905,421	A *	9/1959	O'Connor	F16M 11/2014 248/636	D357,481 S * 4/1995 Giuntoli D14/227
2,920,140	A *	1/1960	Morgan	H04R 19/04 381/113	D366,887 S * 2/1996 Wood D16/242
3,007,012	A *	10/1961	Olson	H04R 19/04 381/357	5,553,820 A * 9/1996 Karten A47B 21/0314 248/181.2
3,153,123	A *	10/1964	Harman	H04R 1/08 381/363	5,588,630 A * 12/1996 Chen-Chao F16C 11/10 248/514
3,505,761	A *	4/1970	Prieur	A01G 17/12 47/43	D379,185 S * 5/1997 Luther D14/227
3,545,710	A *	12/1970	Mooney	F16M 11/2014 248/183.2	5,799,096 A * 8/1998 Liao H04R 1/083 381/355
D220,108	S *	3/1971	Van de Poel	D14/228	5,805,709 A * 9/1998 Liou H04R 1/08 381/355
3,661,376	A *	5/1972	Hill	B23Q 1/28 269/75	D400,540 S * 11/1998 Cruver, IV D14/228
3,712,571	A *	1/1973	Miller	F16M 11/2014 248/183.2	D412,331 S * 7/1999 Nakamura D14/155
3,718,862	A *	2/1973	Norris	H04B 5/06 455/95	6,000,948 A * 12/1999 Peterson H04R 1/08 439/22
3,828,991	A *	8/1974	Moore	A45C 11/38 224/610	D435,037 S * 12/2000 Liu D14/228
D235,478	S *	6/1975	Armbruster	D16/131	D439,852 S * 4/2001 Hisatsune D10/104.1
D239,290	S *	3/1976	Saito et al.	D14/225	D442,932 S * 5/2001 Koike D14/155
4,010,926	A *	3/1977	Carnahan	A47C 3/28 248/411	D445,819 S * 7/2001 Backs D16/242
4,034,946	A *	7/1977	Zimmer, Jr.	F21V 21/30 248/183.2	D447,131 S * 8/2001 Hough D14/228
D247,706	S *	4/1978	Armstrong	D14/228	D449,042 S * 10/2001 Chung D14/228
D250,221	S *	11/1978	Clark	D17/22	D462,947 S * 9/2002 Kung D14/228
4,225,105	A *	9/1980	Nakamura	F16M 11/10 248/184.1	6,570,992 B1 * 5/2003 Folan H04M 1/03 379/433.03
4,344,184	A *	8/1982	Edwards	H04B 1/04 343/702	6,671,382 B2 * 12/2003 Chen H01R 35/02 381/189
D269,945	S *	8/1983	Carney	D8/355	D504,126 S * 4/2005 Saulespurens D14/228
D273,233	S *	3/1984	Norgate	D25/140	6,922,475 B2 * 7/2005 Hsieh H04R 1/08 381/361
4,463,632	A *	8/1984	Parke	B25G 1/063 403/93	7,021,593 B1 * 4/2006 Fan F16B 47/00 248/206.2
D275,431	S *	9/1984	Usab	248/921	7,100,881 B2 * 9/2006 Worrall F16C 11/0619 116/173
4,480,809	A *	11/1984	Healey	F16M 11/10 248/185.1	D551,661 S * 9/2007 Probst D14/225
D277,852	S *	3/1985	Watson	D14/228	7,303,171 B1 * 12/2007 Chen B60R 11/00 224/908
4,600,077	A *	7/1986	Drever	H04R 1/086 181/158	D561,180 S * 2/2008 Aitchison D14/229
4,614,452	A *	9/1986	Wang	F16B 7/04 403/146	D563,396 S * 3/2008 Probst D14/228
D286,787	S *	11/1986	Feinbloom	D16/130	D567,810 S * 4/2008 Yeh D14/253
4,628,525	A *	12/1986	Iwahara	H04R 1/086 381/26	D579,928 S * 11/2008 Murata D14/229
D291,650	S *	9/1987	Monzen	D24/128	D599,786 S * 9/2009 Metlen D14/225
4,789,044	A *	12/1988	Akino	H04R 1/38 181/158	D603,849 S * 11/2009 Durrett D14/228
4,872,630	A *	10/1989	Cooper	B60R 11/00 248/278.1	D604,274 S * 11/2009 Durrett D14/228
D305,026	S *	12/1989	Wolf	D14/229	D605,637 S * 12/2009 Sank D14/225
D306,396	S *	3/1990	Brushaber	114/230.11	D618,222 S * 6/2010 Kallas D14/229
4,910,795	A *	3/1990	McCowen	H04R 1/04 455/95	D623,631 S * 9/2010 Kung
D308,389	S *	6/1990	Horn	D16/219	D626,541 S * 11/2010 Kim D14/253
D310,368	S *	9/1990	Derhaag	D14/225	D634,307 S * 3/2011 Arpe D14/228
D311,829	S *	11/1990	Vossoughi	D6/513	7,974,429 B2 * 7/2011 Tsai H04R 1/08 381/361
D332,789	S *	1/1993	Rak	D12/415	D649,139 S * 11/2011 Waay D14/225
D337,333	S *	7/1993	Turk	D14/251	8,076,889 B2 * 12/2011 Lai F16M 11/2021 318/575
5,271,590	A *	12/1993	Rosen	F16M 11/10 248/222.13	8,317,152 B1 * 11/2012 Zhou F16M 11/041 248/596
D347,841	S *	6/1994	Rossmann	D14/452	8,556,218 B2 * 10/2013 Daisenberger F16M 11/10 248/185.1
					D708,170 S * 7/2014 Duek D14/225
					8,848,962 B2 * 9/2014 Akino H04R 19/04 381/356
					D745,494 S * 12/2015 Wise D14/227
					D746,269 S * 12/2015 Chen D14/227
					D774,494 S * 12/2016 Sunwoo D14/227
					D791,742 S * 7/2017 Lai D14/225
					D834,004 S * 11/2018 Chen D14/226
					D834,564 S * 11/2018 Chen D14/226
					D834,566 S * 11/2018 Sunwoo D14/227
					D835,612 S * 12/2018 Tong D14/225
					D836,090 S * 12/2018 Li D14/227
					D842,278 S * 3/2019 Tong

(56)

References Cited

U.S. PATENT DOCUMENTS

D842,846 S * 3/2019 Mai D14/225
 D849,721 S * 5/2019 Chen D14/227
 D850,423 S 6/2019 Chen
 D851,073 S * 6/2019 Tong D14/227
 D864,921 S * 10/2019 Mai D14/227
 D864,922 S * 10/2019 Mai D14/227
 D868,754 S * 12/2019 Chou D14/225
 D881,168 S * 4/2020 Chen D14/228
 D889,442 S * 7/2020 Bovin D14/228
 D890,141 S * 7/2020 Chen D14/228
 D890,732 S * 7/2020 Chen D14/227
 D892,090 S * 8/2020 Xiang D14/228
 D895,583 S * 9/2020 Smith D14/227
 D898,001 S * 10/2020 Chen D14/228
 D898,771 S * 10/2020 You D14/497
 D905,023 S * 12/2020 Renwick D14/227
 2003/0179898 A1 * 9/2003 Chen H04R 1/08
 381/355

2005/0056751 A1 * 3/2005 Slatter A01K 91/08
 248/288.11
 2006/0002576 A1 * 1/2006 Akino H04R 1/021
 381/361
 2007/0012825 A1 * 1/2007 Yeh F16M 11/105
 248/122.1
 2008/0061199 A1 * 3/2008 Chen F16M 11/2064
 248/205.8
 2008/0152174 A1 * 6/2008 Marshall H04R 19/04
 381/172
 2010/0208929 A1 * 8/2010 Heil H04R 11/04
 381/355
 2010/0237206 A1 * 9/2010 Barker G03B 17/561
 248/206.5
 2011/0044477 A1 * 2/2011 Huang H04R 1/083
 381/122
 2014/0071339 A1 * 3/2014 Baker G03B 17/48
 348/373
 2017/0149121 A1 * 5/2017 Zachara H01Q 11/08

* cited by examiner

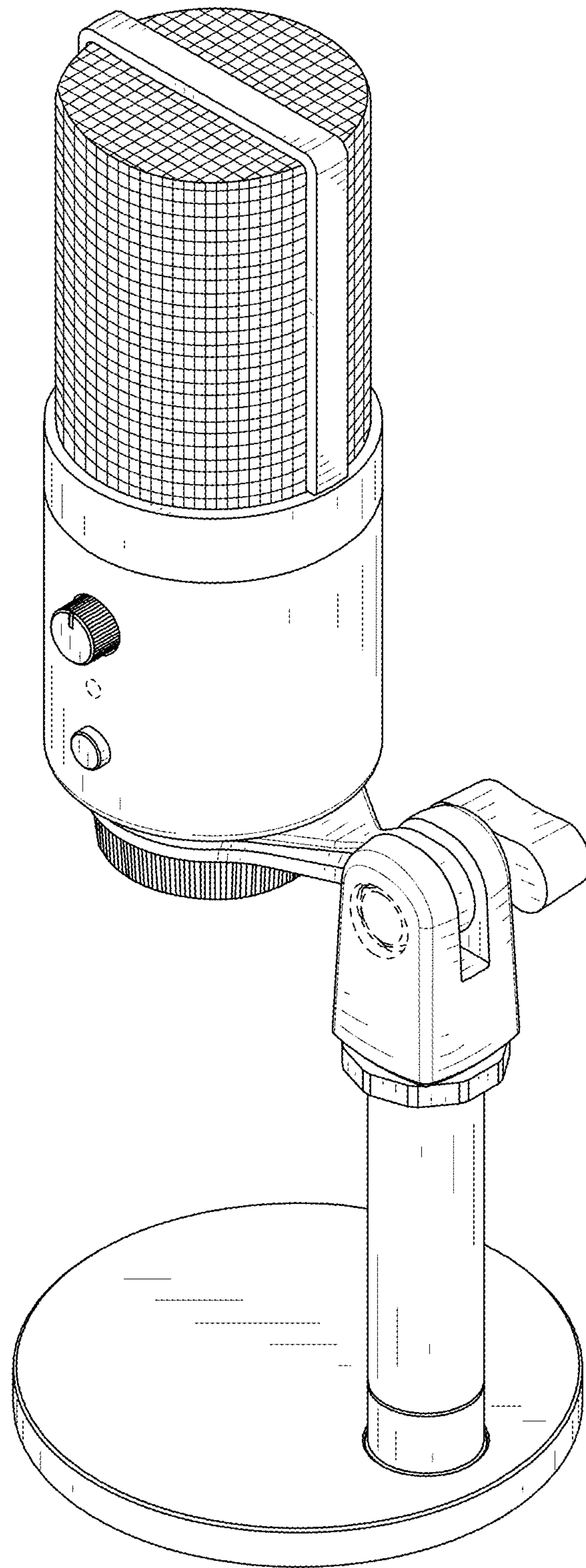


FIG. 1

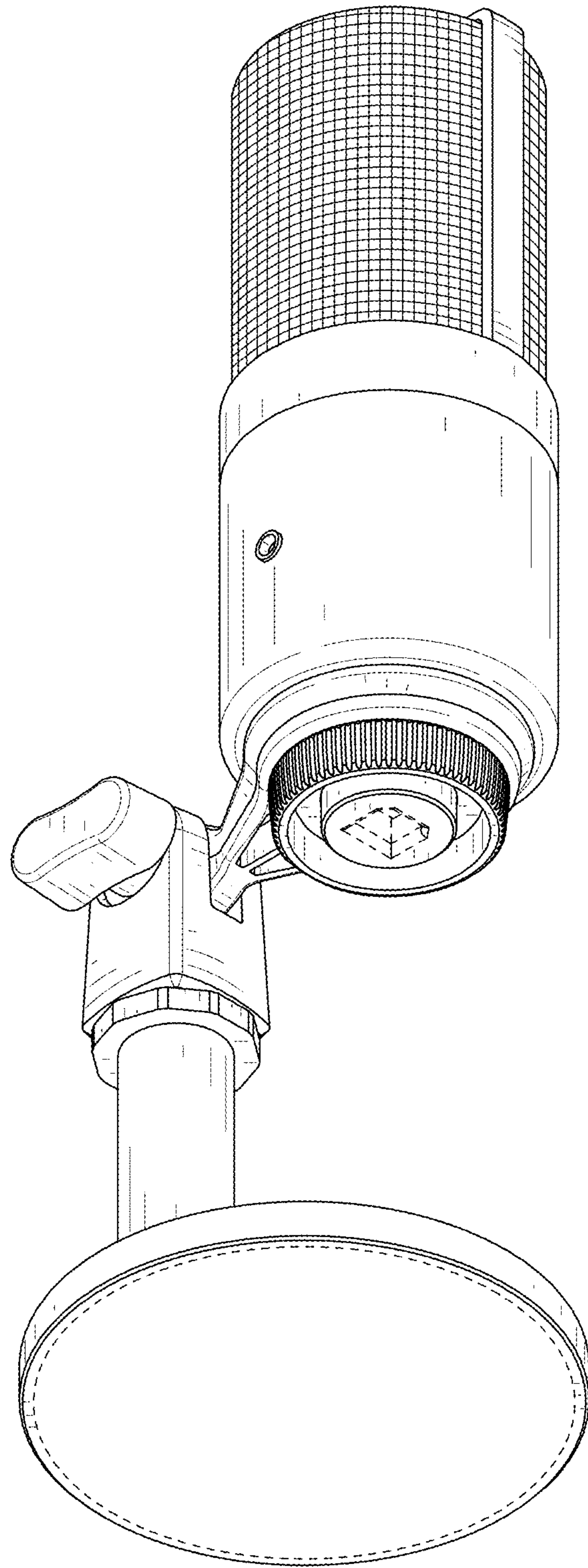


FIG. 2

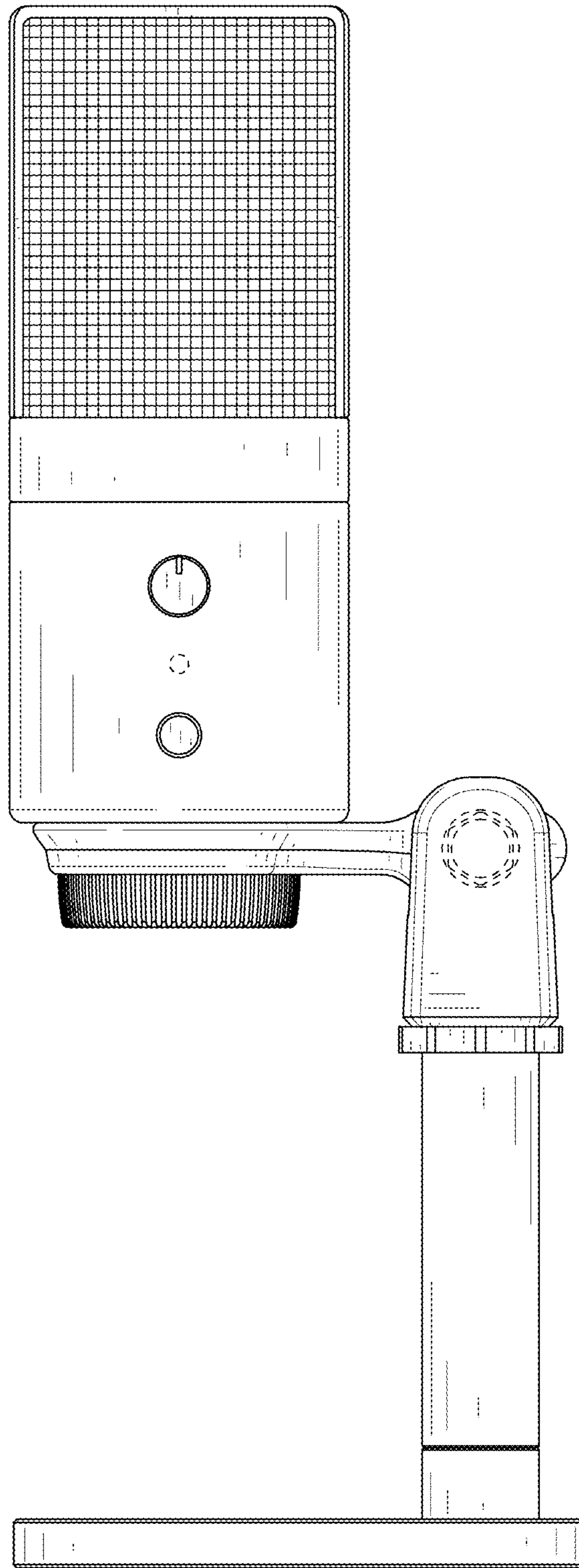


FIG. 3

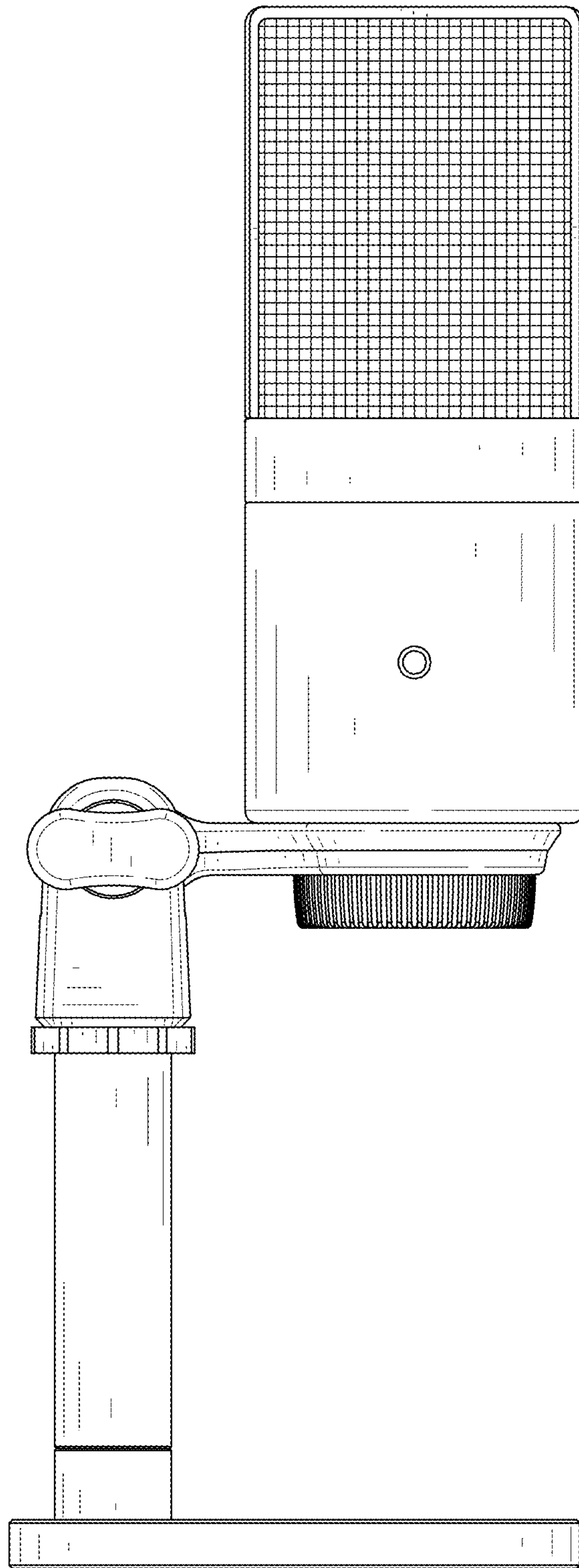


FIG. 4

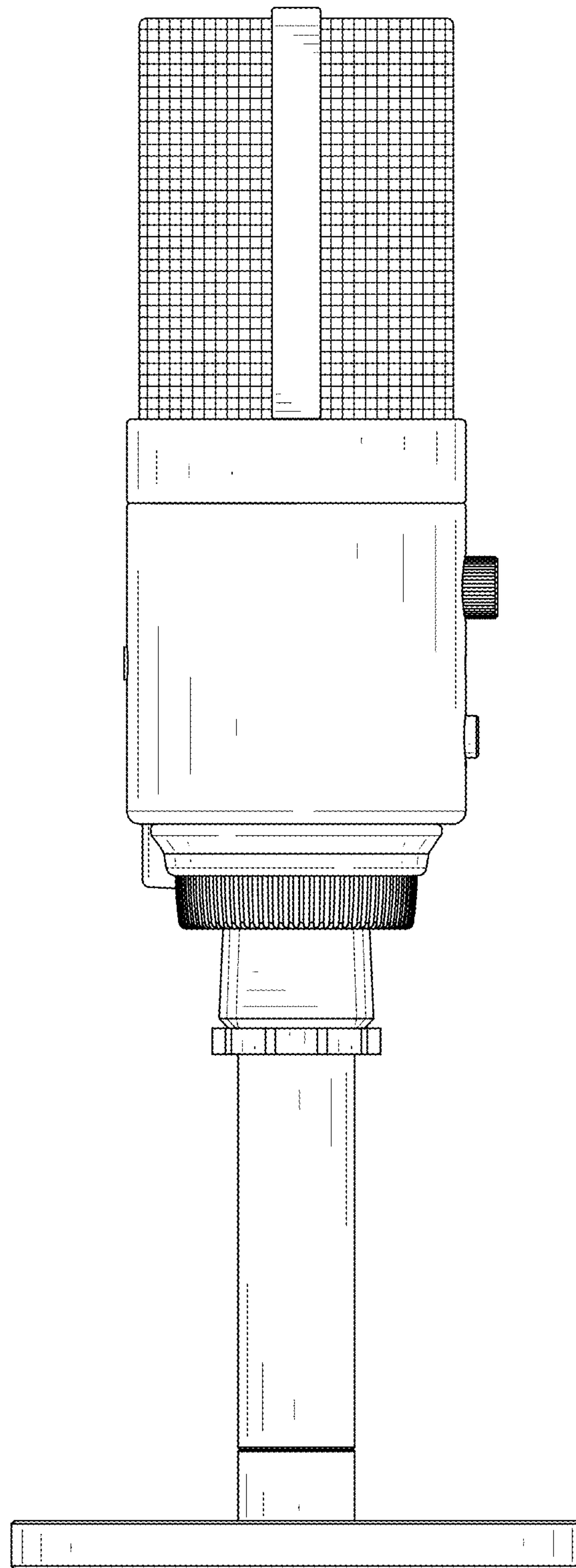


FIG. 5

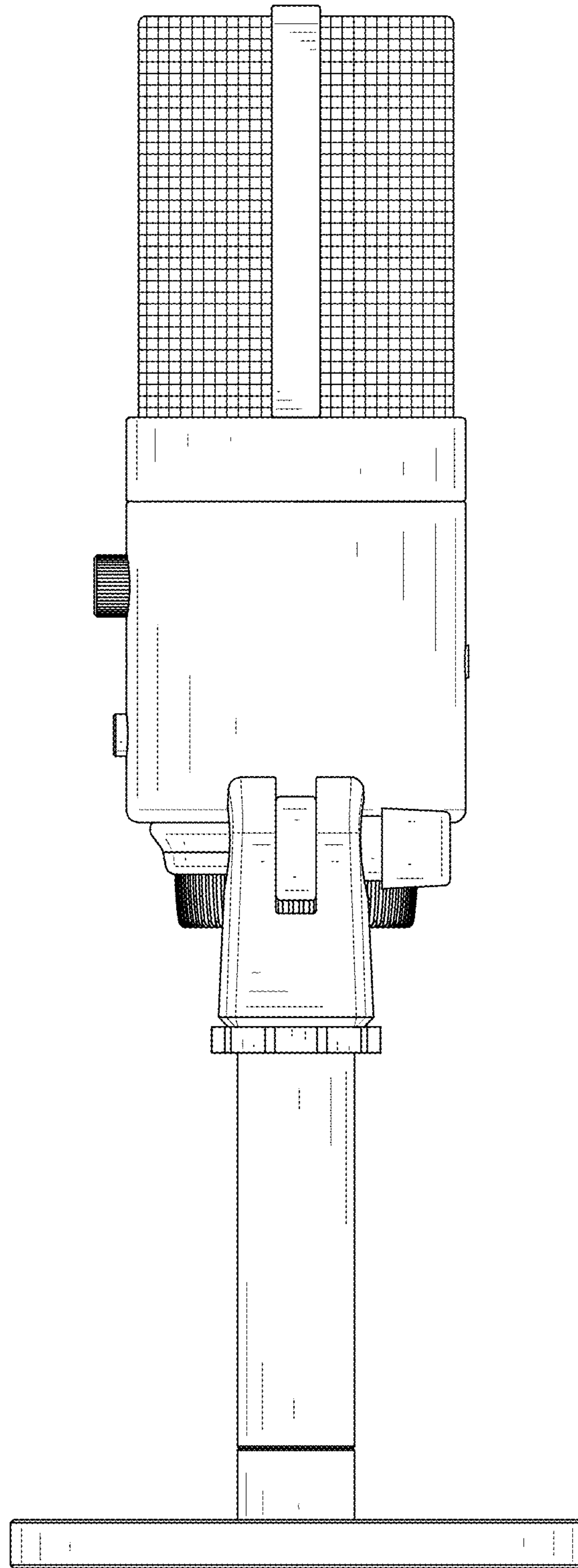


FIG. 6

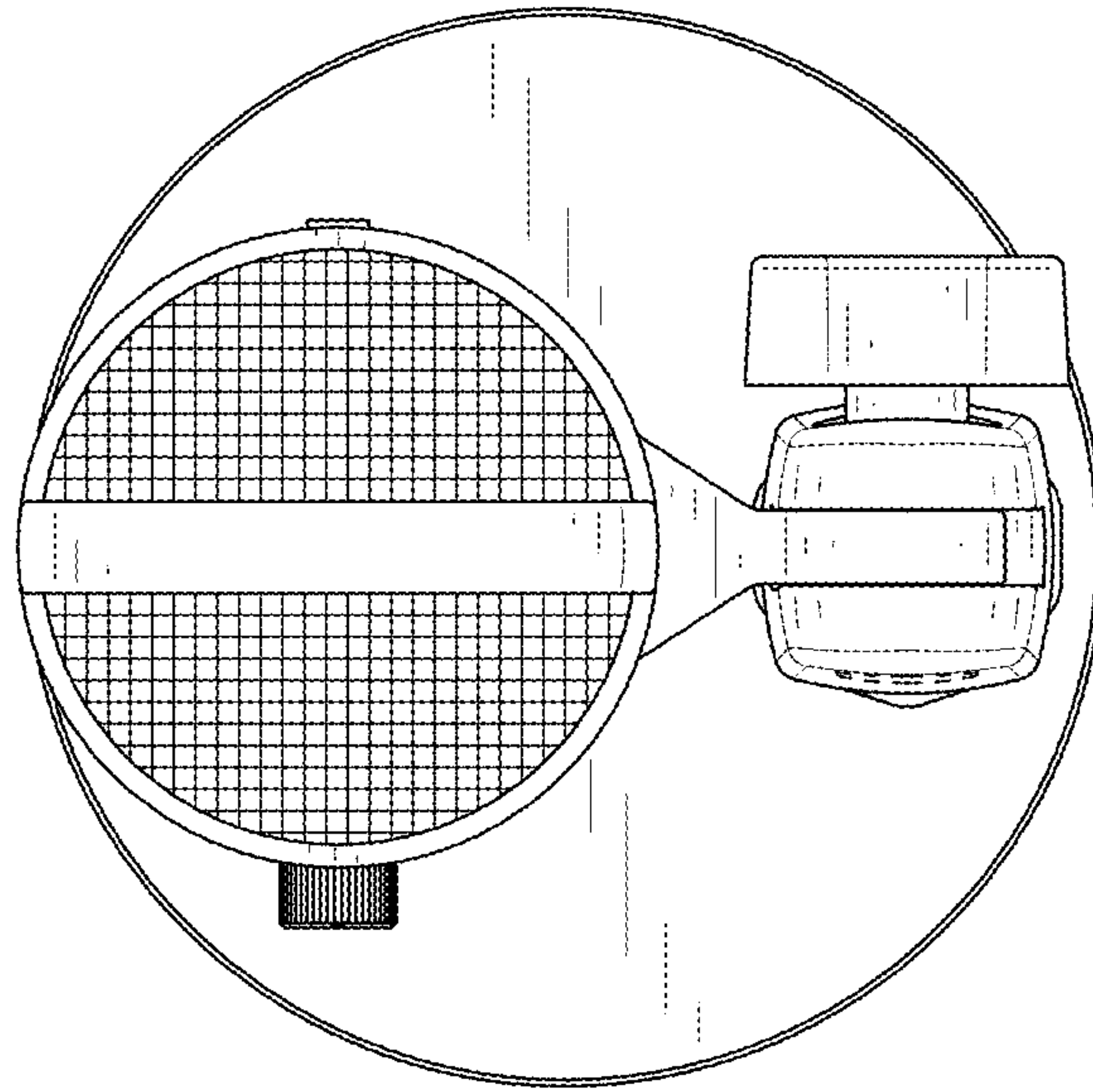


FIG. 7

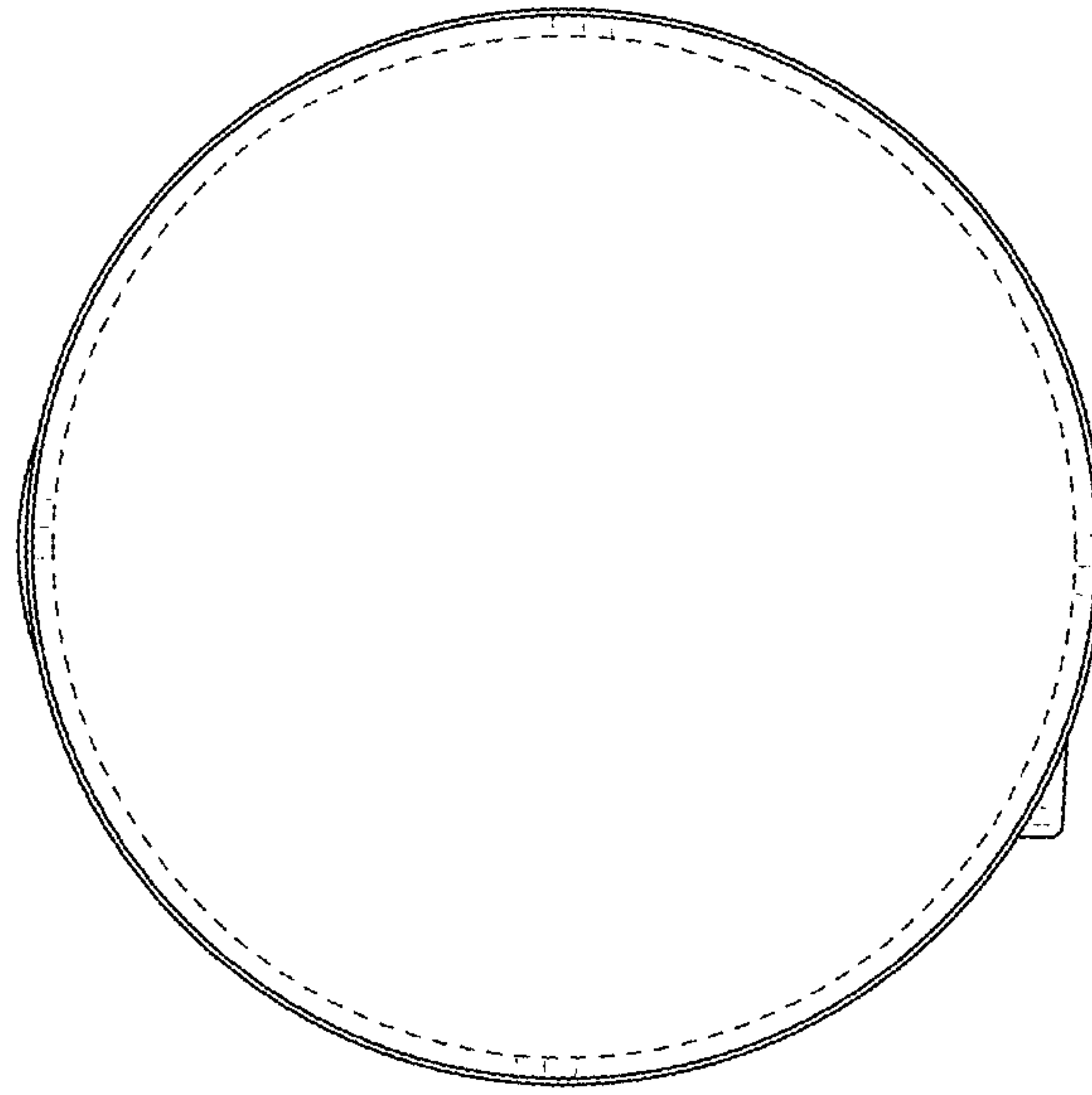


FIG. 8