



US00D917431S

(12) **United States Design Patent**
Gao

(10) **Patent No.:** **US D917,431 S**
(45) **Date of Patent:** **** Apr. 27, 2021**

(54) **WIRELESS MICROPHONE TRANSMITTER**

(71) Applicant: **YueRui Gao**, Shenzhen (CN)

(72) Inventor: **YueRui Gao**, Shenzhen (CN)

(**) Term: **15 Years**

(21) Appl. No.: **29/756,682**

(22) Filed: **Oct. 30, 2020**

(51) **LOC (13) Cl.** **14-01**

(52) **U.S. Cl.**
USPC **D14/225**; D14/192

(58) **Field of Classification Search**
USPC D14/255, 155, 158, 144, 172, 185, 186,
D14/188, 191, 192, 198, 203.5, 203.7,
D14/230; D13/168; D10/103, 104.1,
D10/106; 381/357; 181/158; 455/90.3,
455/575.1, 569.1, 100, 128, 550.1
CPC H04R 1/02; H04R 25/00; H04M 11/00;
H04M 1/00; A45F 5/02

See application file for complete search history.

(56) **References Cited**

U.S. PATENT DOCUMENTS

- 4,057,794 A * 11/1977 Grossfield G08B 21/04
340/7.5
- 4,083,481 A * 4/1978 Selinko A45F 5/02
224/269
- 4,293,742 A * 10/1981 Sato G11B 25/063
360/137
- D293,088 S * 12/1987 Brown D10/106.1
- D297,518 S * 9/1988 Yuen D10/106.1
- 4,828,153 A * 5/1989 Guzik A45F 5/02
224/242
- D304,191 S * 10/1989 Sekine D14/192
- 5,089,808 A * 2/1992 Amirdash G08B 21/02
340/573.7
- D338,465 S * 8/1993 Hayasaka D14/191
- D339,349 S * 9/1993 Hayasaka D14/188
- D352,504 S * 11/1994 Scheid D14/191

- D355,657 S * 2/1995 Scheid D14/191
- D357,419 S * 4/1995 Hsu D10/2
- D358,558 S * 5/1995 Isomura D10/65
- D370,014 S * 5/1996 Braxton D14/191
- D370,671 S * 6/1996 Lam D14/138 R
- D383,747 S * 9/1997 Richards D14/138 AA
- D389,139 S * 1/1998 Oross D14/137
- D395,433 S * 6/1998 Kee D14/192
- D397,114 S * 8/1998 Kataoka D14/191
- D398,304 S * 9/1998 Murray D14/137
- 5,859,594 A * 1/1999 King G08B 5/225
340/7.55
- D412,705 S * 8/1999 Laiacona D14/172
- D441,735 S * 5/2001 Katayama D14/203.3

(Continued)

FOREIGN PATENT DOCUMENTS

- CN 306140978 * 10/2020
- CN 306261675 * 1/2021
- CN 306336156 * 2/2021

Primary Examiner — Paula Allen Greene

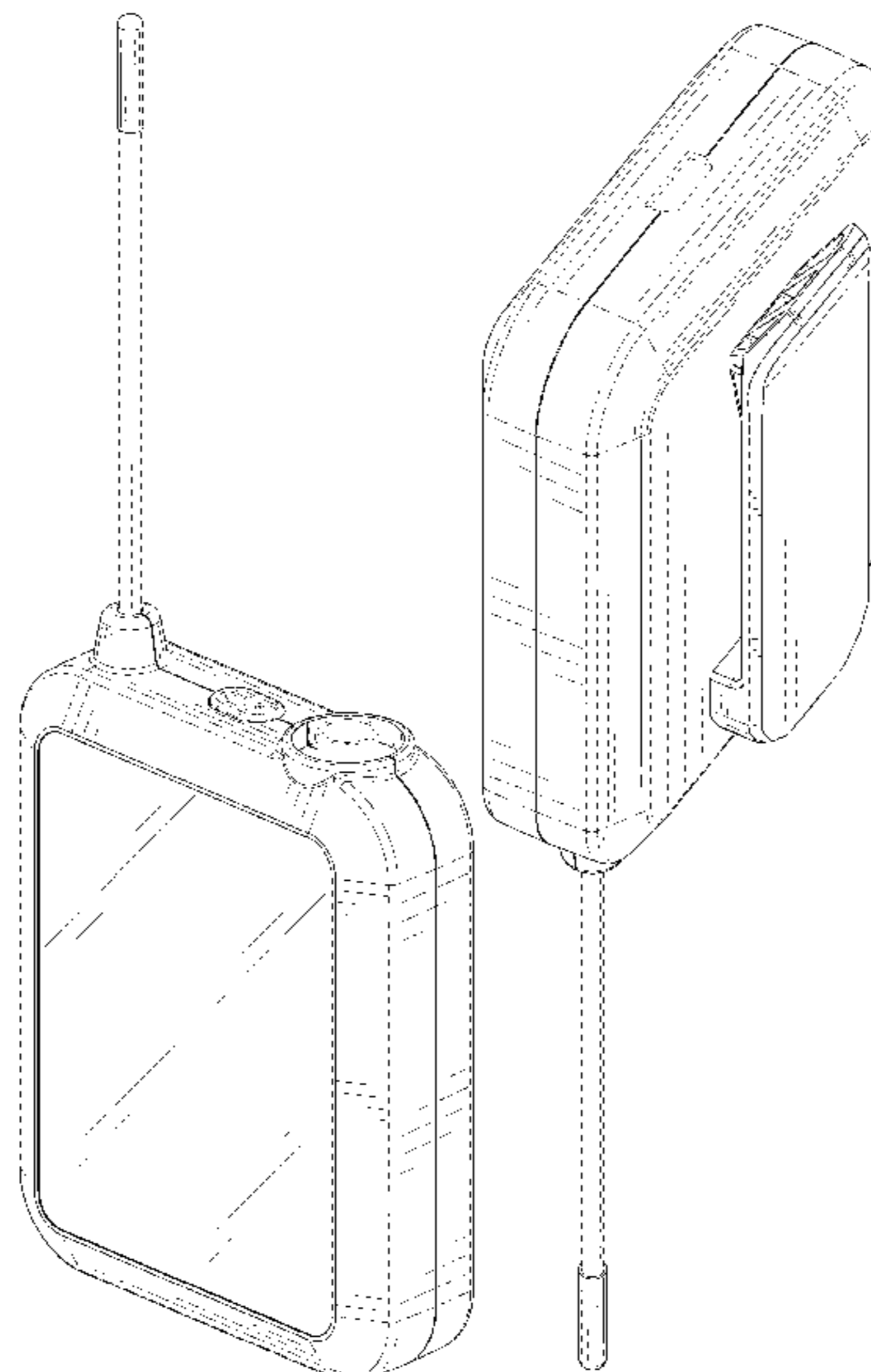
(57) **CLAIM**

The ornamental design for a wireless microphone transmitter, as shown and described.

DESCRIPTION

FIG. 1 is a front and top perspective view of a wireless microphone transmitter, showing my new design; FIG. 2 is a rear and bottom perspective view thereof; FIG. 3 is a front elevational view thereof; FIG. 4 is a rear elevational view thereof; FIG. 5 is a left side elevational view thereof; FIG. 6 is a right side elevational view thereof; FIG. 7 is a top plan view thereof; and, FIG. 8 is a bottom plan view thereof. The broken lines in the figures illustrate portions of the wireless microphone transmitter that form no part of the claimed design.

1 Claim, 8 Drawing Sheets



(56)

References Cited

U.S. PATENT DOCUMENTS

D441,744 S * 5/2001 Miyazaki D14/137
 D496,030 S * 9/2004 Harbeke D14/225
 D503,642 S * 4/2005 Hutchison D10/78
 D532,785 S * 11/2006 Lo D14/363
 D539,777 S * 4/2007 Pena Angarita D14/138 R
 D540,774 S * 4/2007 Alwicker D14/155
 D548,195 S * 8/2007 Poulet D13/168
 D554,616 S * 11/2007 Pierce D14/191
 D558,742 S * 1/2008 Koller D14/225
 D568,877 S * 5/2008 Bodley D14/225
 D577,708 S * 9/2008 von Meiss
 D577,713 S * 9/2008 Kim D14/218
 D577,715 S * 9/2008 Lim D14/240
 D581,943 S * 12/2008 Pedersen D14/150
 D583,806 S * 12/2008 Okazaki D14/225
 D602,006 S * 10/2009 Kim D14/223
 D604,723 S * 11/2009 Bodley D14/225

7,676,246 B2 * 3/2010 Kreiter H04N 7/147
 455/556.2
 D618,676 S * 6/2010 Hui D14/300
 D673,554 S * 1/2013 Simmer D14/250
 D695,806 S * 12/2013 Konishi D16/202
 D696,225 S * 12/2013 Osada D14/167
 D705,748 S * 5/2014 He D14/155
 D707,651 S * 6/2014 Tsai D14/191
 D719,130 S * 12/2014 Crane D14/195
 D729,762 S * 5/2015 Hu D14/194
 D758,366 S * 6/2016 Peng D14/363
 9,762,075 B1 * 9/2017 Gill H01M 50/20
 D800,086 S * 10/2017 Scherr D14/154
 D803,193 S * 11/2017 Meinertz D14/225
 D848,984 S * 5/2019 Ohashi D14/225
 D893,447 S * 8/2020 Smith D14/192
 D894,161 S * 8/2020 Ye D14/225
 2010/0200628 A1 * 8/2010 Tages A45F 5/02
 224/269

* cited by examiner

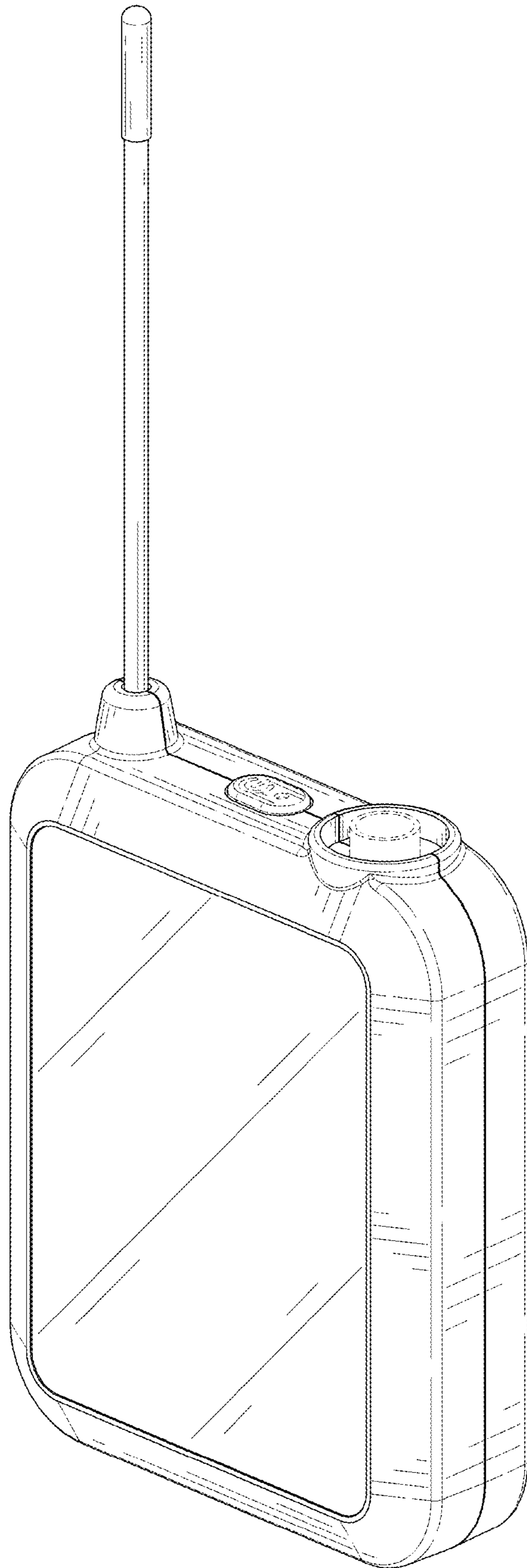


FIG. 1

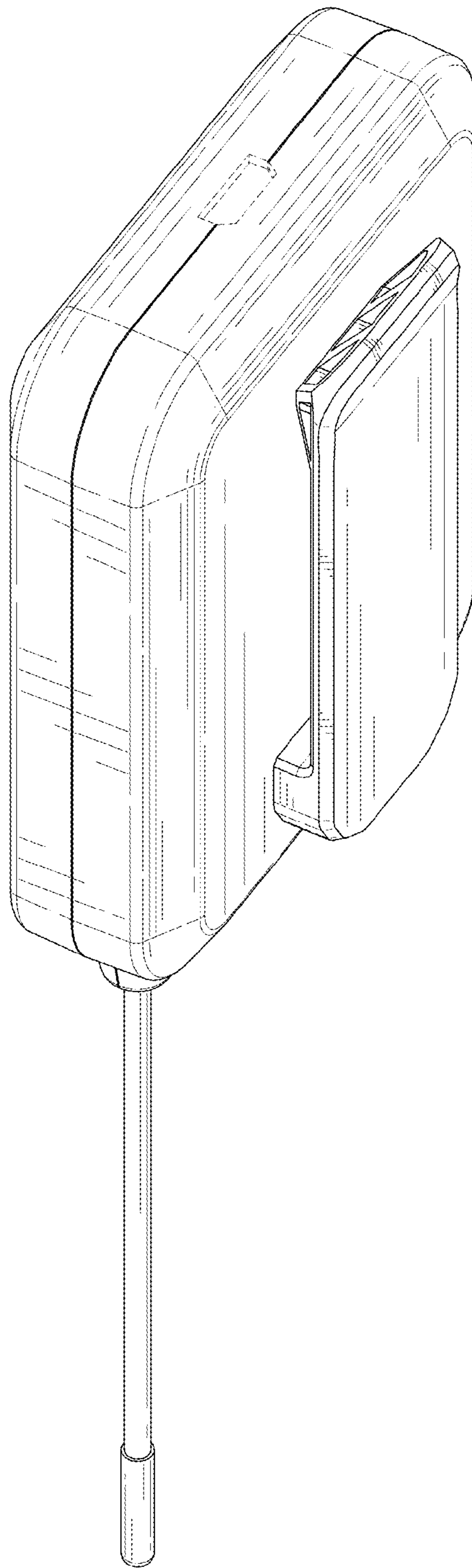


FIG. 2

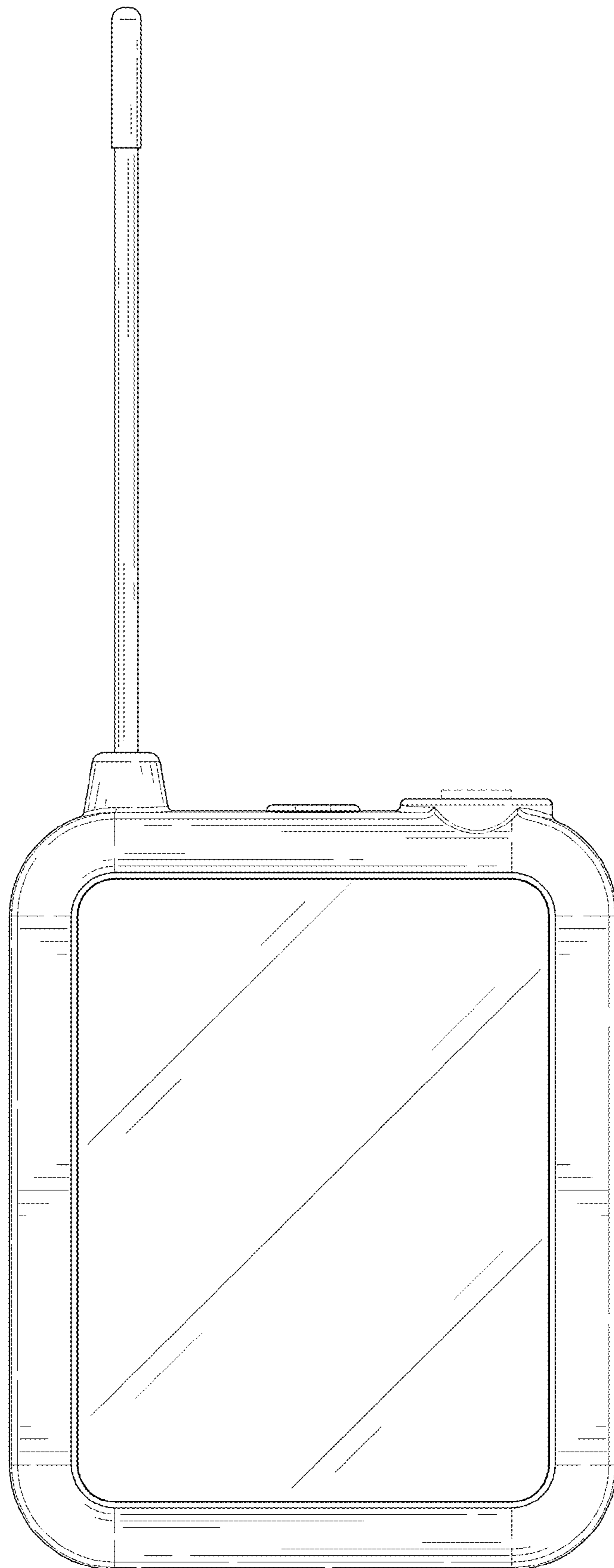


FIG. 3

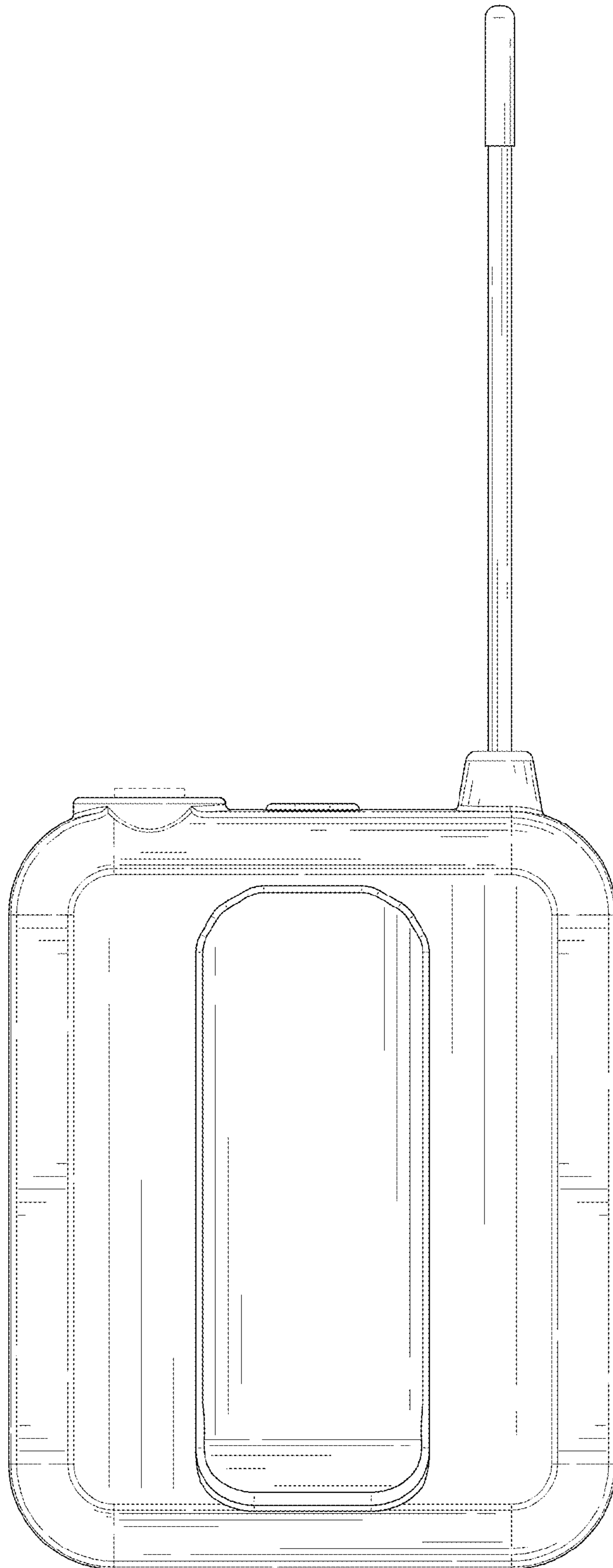


FIG. 4

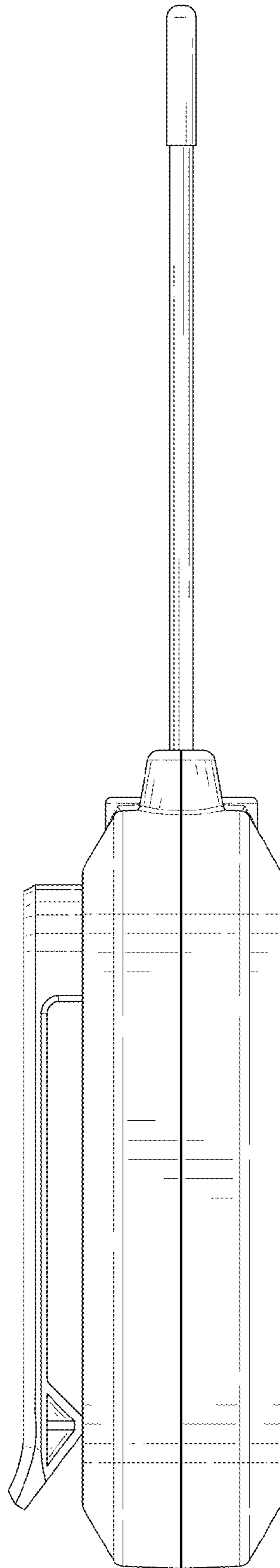


FIG. 5

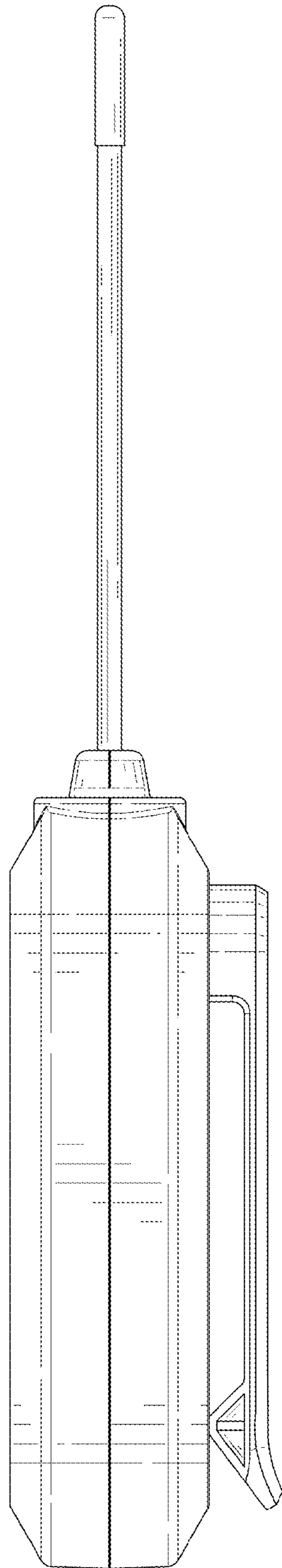


FIG. 6

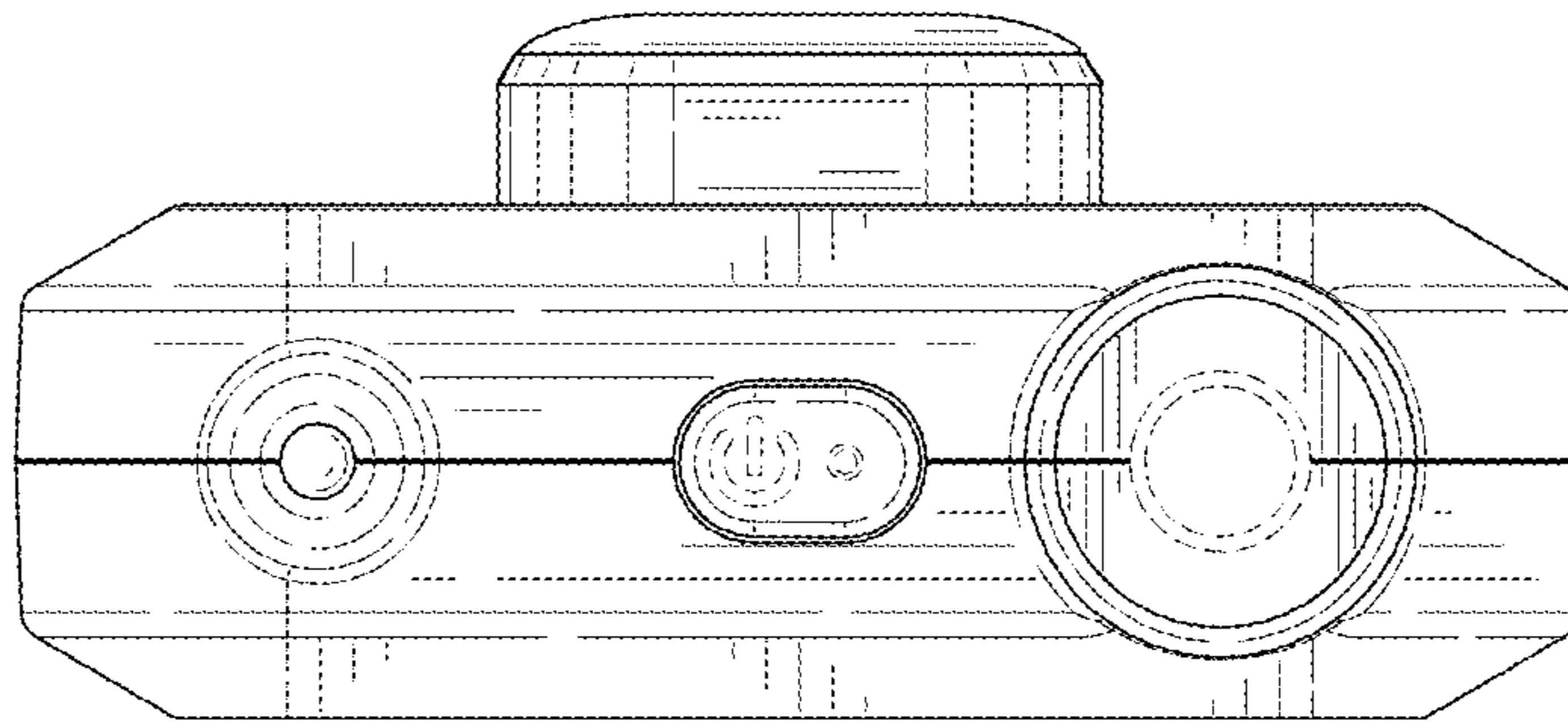


FIG. 7

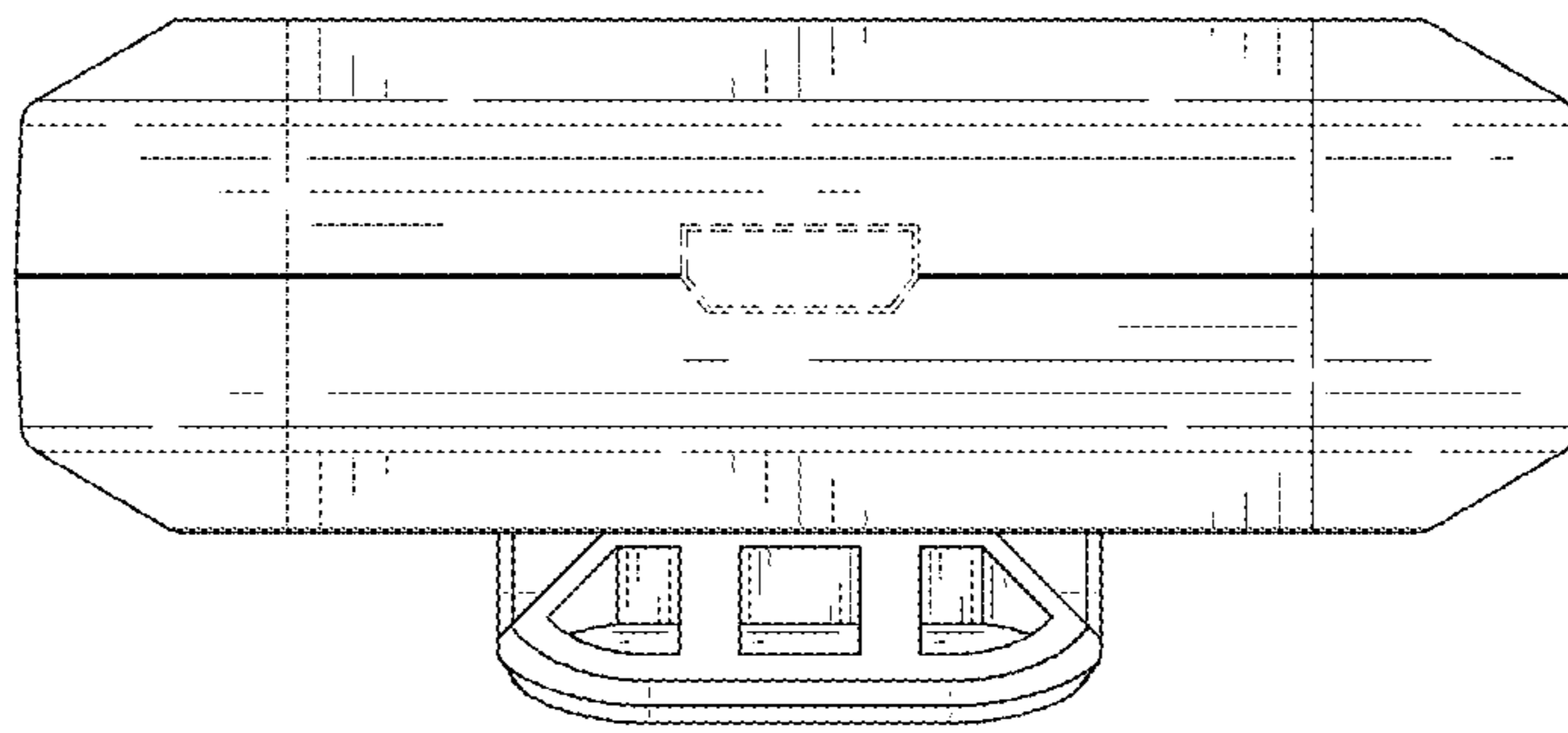


FIG. 8