



US00D917427S

(12) **United States Design Patent**  
**Zheng**

(10) **Patent No.:** **US D917,427 S**  
(45) **Date of Patent:** **\*\* Apr. 27, 2021**

- (54) **WIRELESS SPEAKER**
- (71) Applicant: **Shenzhen Doageas Technology Limited, Shenzhen (CN)**
- (72) Inventor: **Jian Zheng, Shenzhen (CN)**
- (\*\*) Term: **15 Years**
- (21) Appl. No.: **29/758,537**
- (22) Filed: **Nov. 17, 2020**
- (51) **LOC (13) Cl.** ..... **14-01**
- (52) **U.S. Cl.**  
USPC ..... **D14/223; D3/201**
- (58) **Field of Classification Search**  
USPC ..... D14/223, 205, 215, 216, 214, 203, 3,  
D14/203.6, 496, 253, 480.6, 209.1;  
D24/174; 128/864, 865, 866; D13/108;  
D3/201, 249, 207, 208, 215, 218, 294,  
D3/274; 224/666, 904; D8/395;  
D28/77, 85; D9/420; 455/90.3, 575.1,  
455/569.1  
CPC ..... H04R 1/10; H04R 25/00; H04R 1/1016;  
H04R 5/033; H04R 5/0335; H04R 1/02;  
H04R 5/00; H04R 9/06; H02J 7/02  
See application file for complete search history.

- D374,611 S \* 10/1996 Bonoan ..... 401/104
- 6,044,973 A \* 4/2000 Vasudeva ..... B25H 3/023  
206/372
- D443,856 S \* 6/2001 Lehtovaara ..... D13/107
- D446,511 S \* 8/2001 Kanno ..... D14/167
- D478,725 S \* 8/2003 Vasudeva ..... D3/282
- 6,606,769 B1 \* 8/2003 Harris ..... F16B 45/02  
224/180
- D479,221 S \* 9/2003 Wong ..... D14/192
- 6,625,469 B1 \* 9/2003 Hwang ..... H04B 1/385  
379/433.01
- D483,014 S \* 12/2003 Hsiao ..... D13/107
- D495,488 S \* 9/2004 Singh ..... D3/282
- D504,767 S \* 5/2005 DiMarchi ..... D3/208
- D511,493 S \* 11/2005 Luneau ..... D13/107

(Continued)

**FOREIGN PATENT DOCUMENTS**

- EM 006952644-0001 \* 9/2019
- EM 008368369-0001 \* 12/2020
- JP D1660248 \* 10/2019

*Primary Examiner* — Paula Allen Greene

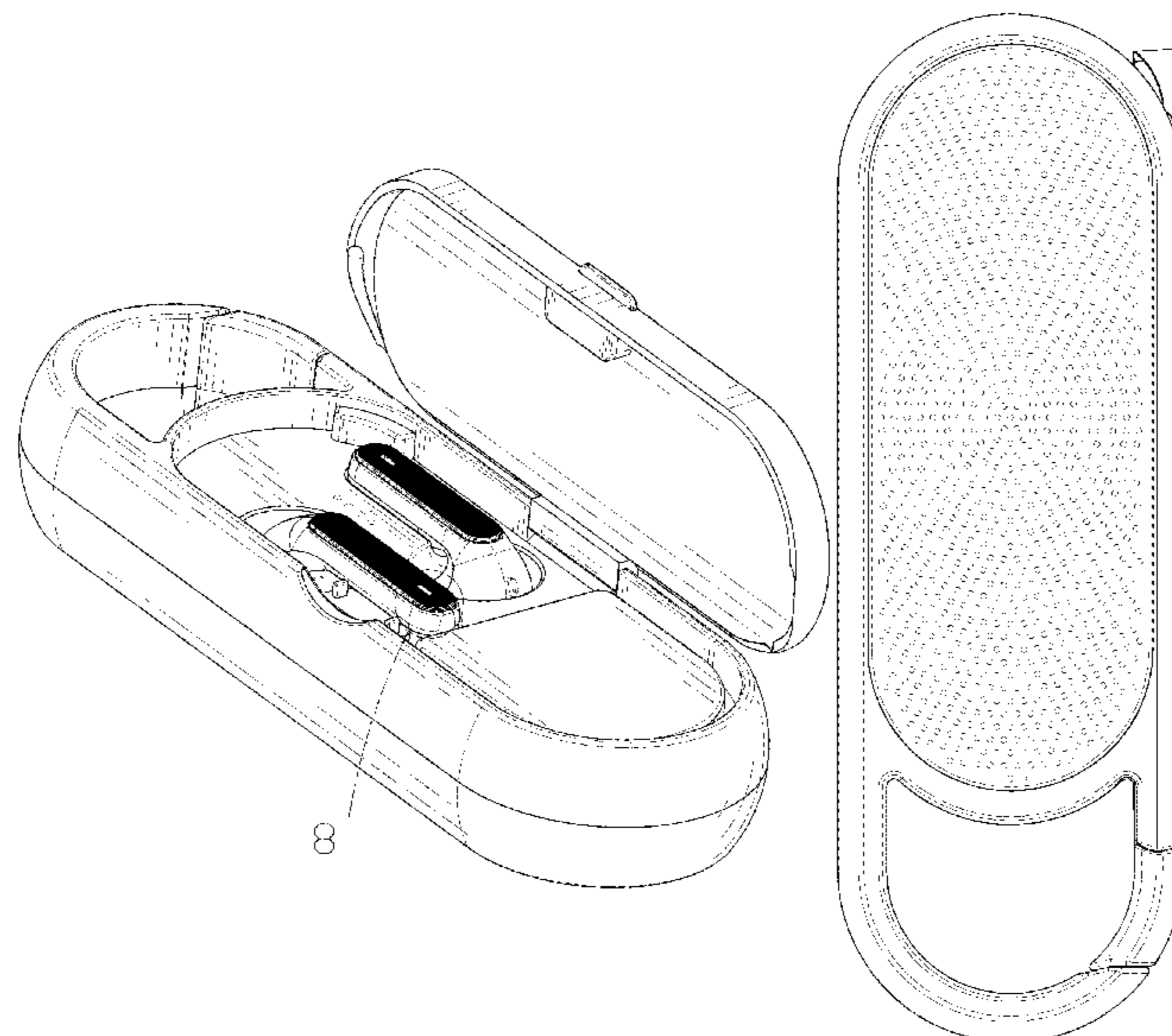
(57) **CLAIM**

The ornamental design for a wireless speaker, as shown and described.

**DESCRIPTION**

FIG. 1 is a front and top perspective view of a wireless speaker, showing my new design;  
 FIG. 2 is a front elevational view thereof;  
 FIG. 3 is a rear elevational view thereof;  
 FIG. 4 is a left side elevational view thereof;  
 FIG. 5 is a right side elevational view thereof;  
 FIG. 6 is a top plan view thereof;  
 FIG. 7 is a bottom plan view thereof; and,  
 FIG. 8 is an enlarged view of a portion indicated with numeric 8 in FIG. 1.  
 The broken lines in the figures illustrate portions of the wireless speaker that form no part of the claimed design.

**1 Claim, 8 Drawing Sheets**



(56)

**References Cited**

U.S. PATENT DOCUMENTS

|              |      |         |                |       |                     |
|--------------|------|---------|----------------|-------|---------------------|
| D517,799     | S *  | 3/2006  | Oas            | ..... | D3/203.2            |
| D537,071     | S *  | 2/2007  | Chen           | ..... | D14/215             |
| D543,690     | S *  | 6/2007  | Fishman        | ..... | D3/201              |
| D553,077     | S *  | 10/2007 | Kim            | ..... | D13/108             |
| 7,347,325    | B2 * | 3/2008  | O'Neill        | ..... | A45C 1/06<br>206/38 |
| D574,145     | S *  | 8/2008  | Phillips       | ..... | D3/208              |
| D582,392     | S *  | 12/2008 | Pauschitz      | ..... | D14/215             |
| D606,078     | S *  | 12/2009 | Chen           | ..... | D14/480.6           |
| D674,775     | S *  | 1/2013  | Bolton         | ..... | D14/209.1           |
| D706,643     | S *  | 6/2014  | Akana          | ..... | D9/721              |
| D709,758     | S *  | 7/2014  | Burdock-Latter | ..... | D9/418              |
| D712,279     | S *  | 9/2014  | Akana          | ..... | D9/721              |
| D722,264     | S *  | 2/2015  | Saideh         | ..... | D9/432              |
| D723,792     | S *  | 3/2015  | Anderson       | ..... | D3/201              |
| D726,154     | S *  | 4/2015  | Chang          | ..... | D14/215             |
| D726,687     | S *  | 4/2015  | Minarik        | ..... | D14/216             |
| D730,049     | S *  | 5/2015  | Miksovsky      | ..... | D3/274              |
| D731,781     | S *  | 6/2015  | Behar          | ..... | D3/201              |
| D734,022     | S *  | 7/2015  | Harper         | ..... | D3/201              |
| D753,725     | S *  | 4/2016  | Palmer, Jr.    | ..... | D14/496             |
| D772,572     | S *  | 11/2016 | Palmborg       | ..... | D3/294              |
| D775,960     | S *  | 1/2017  | Erdwiens       | ..... | D9/521              |
| D778,156     | S *  | 2/2017  | Follett        | ..... | D9/432              |
| D791,479     | S *  | 7/2017  | Son            | ..... | D3/298              |
| D796,968     | S *  | 9/2017  | Akana          | ..... | D9/721              |
| D799,316     | S *  | 10/2017 | Thain          | ..... | D9/415              |
| D801,314     | S *  | 10/2017 | Akana          | ..... | D14/223             |
| D803,184     | S *  | 11/2017 | Loh Jun Kern   | ..... | D14/205             |
| D806,388     | S *  | 1/2018  | Akana          | ..... | D3/294              |
| D808,363     | S *  | 1/2018  | Li             | ..... | D14/209.1           |
| D817,306     | S *  | 5/2018  | Jang           | ..... | D14/214             |
| D818,268     | S *  | 5/2018  | Akana          | ..... | D3/294              |
| D821,970     | S *  | 7/2018  | Loermann       | ..... | D13/107             |
| D822,374     | S *  | 7/2018  | Hung           | ..... | D3/201              |
| D823,894     | S *  | 7/2018  | Ullits         | ..... | D14/496             |
| D832,824     | S *  | 11/2018 | Kim            | ..... | D14/223             |
| D838,480     | S *  | 1/2019  | Son            | ..... | D3/294              |
| D841,580     | S *  | 2/2019  | Bao            | ..... | D13/108             |
| D846,264     | S *  | 4/2019  | Wu             | ..... | D3/201              |
| D847,794     | S *  | 5/2019  | Guo            | ..... | D14/223             |
| D848,982     | S *  | 5/2019  | Kim            | ..... | D14/223             |
| D853,116     | S *  | 7/2019  | Bergman        | ..... | D3/294              |
| D860,167     | S *  | 9/2019  | Zhu            | ..... |                     |
| D864,110     | S *  | 10/2019 | Yoshimura      | ..... | D13/108             |
| D864,165     | S *  | 10/2019 | Roberts        | ..... | D14/223             |
| D864,169     | S *  | 10/2019 | Min            | ..... | D14/223             |
| D869,445     | S *  | 12/2019 | Hu             | ..... | D14/223             |
| D877,113     | S *  | 3/2020  | Jin            | ..... | D14/204             |
| D877,493     | S *  | 3/2020  | Zhang          | ..... | D3/215              |
| D878,048     | S *  | 3/2020  | Wang           | ..... | D3/294              |
| D881,572     | S *  | 4/2020  | Wang           | ..... | D3/294              |
| D882,262     | S *  | 4/2020  | Zhang          | ..... | D3/294              |
| D882,939     | S *  | 5/2020  | Hu             | ..... | D3/201              |
| D883,203     | S *  | 5/2020  | Zheng          | ..... | D13/108             |
| D886,454     | S *  | 6/2020  | Williamson     | ..... | D3/294              |
| D886,455     | S *  | 6/2020  | Williamson     | ..... | D3/294              |
| D890,138     | S *  | 7/2020  | Peng           | ..... | D14/223             |
| D890,724     | S *  | 7/2020  | Li             | ..... | D14/223             |
| D892,770     | S *  | 8/2020  | Gao            | ..... | D14/223             |
| D893,462     | S *  | 8/2020  | Liu            | ..... | D14/223             |
| D895,579     | S *  | 9/2020  | Yang           | ..... | D14/223             |
| D895,582     | S *  | 9/2020  | Wu             | ..... | D14/223             |
| D896,206     | S *  | 9/2020  | Xu             | ..... | D14/223             |
| D904,755     | S *  | 12/2020 | Birger         | ..... | D3/201              |
| D905,018     | S *  | 12/2020 | Zhu            | ..... | D14/223             |
| D908,084     | S *  | 1/2021  | He             | ..... | D13/108             |
| 2021/0014603 | A1 * | 1/2021  | Wei            | ..... | G06F 3/044          |

\* cited by examiner

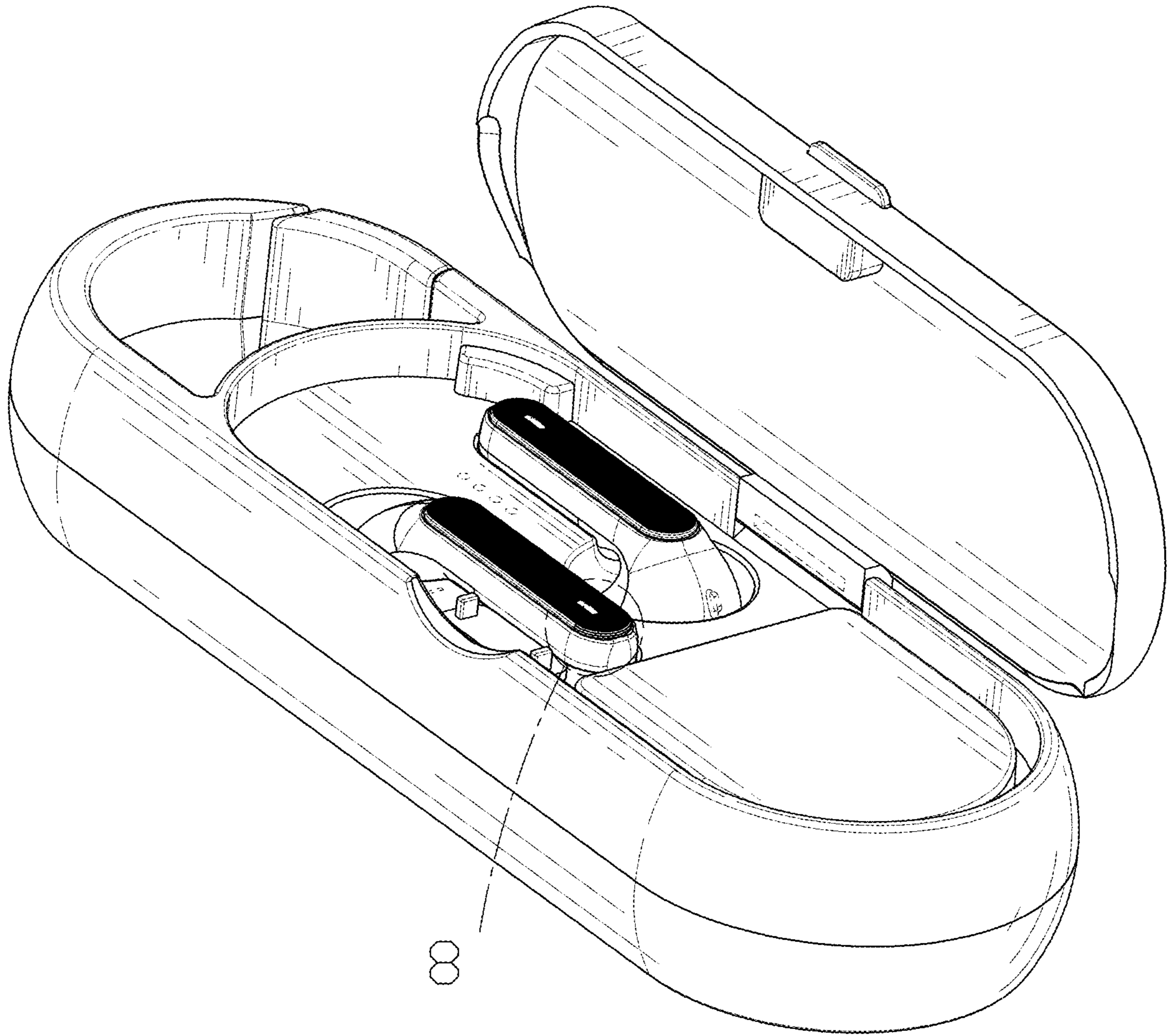


FIG. 1

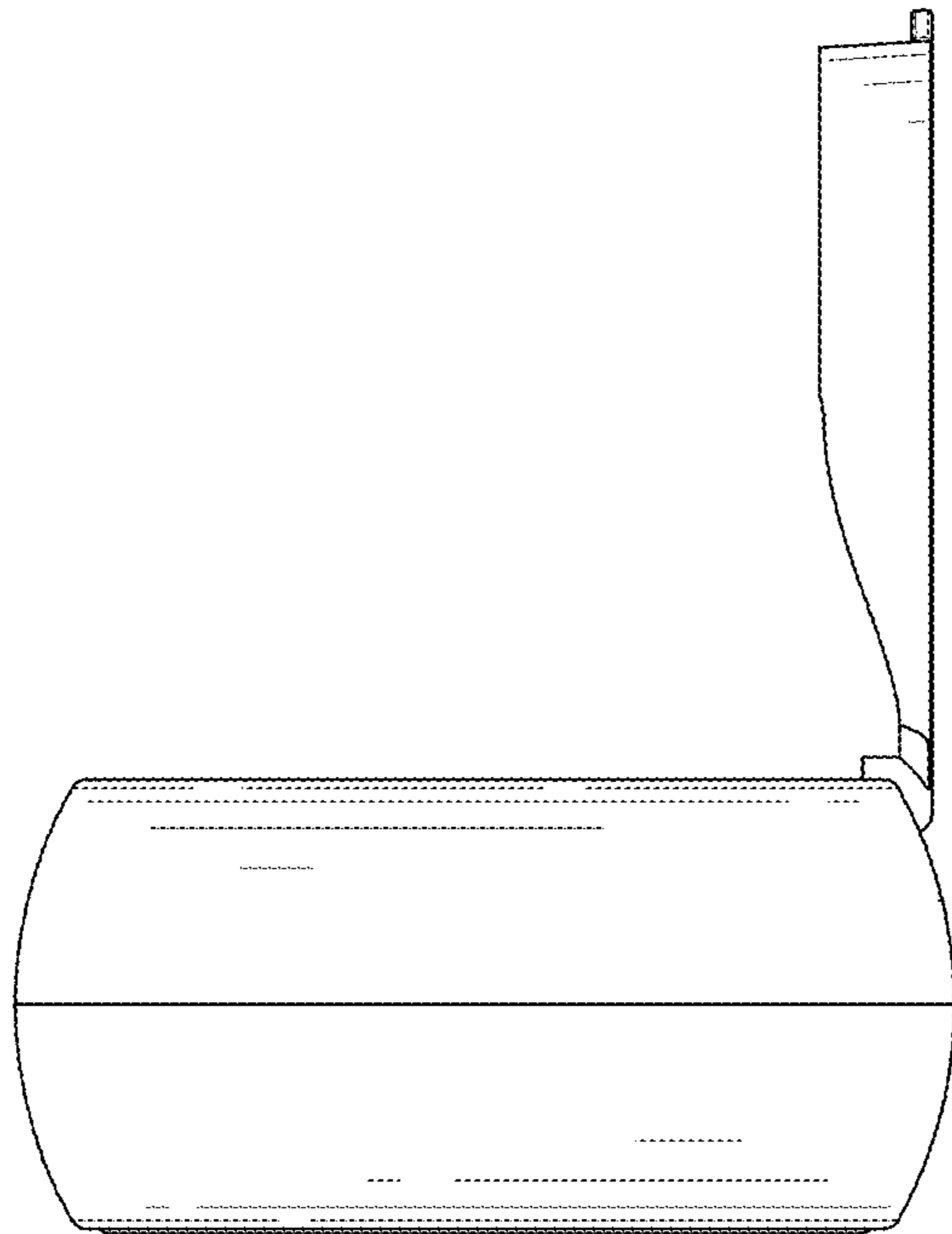


FIG. 2

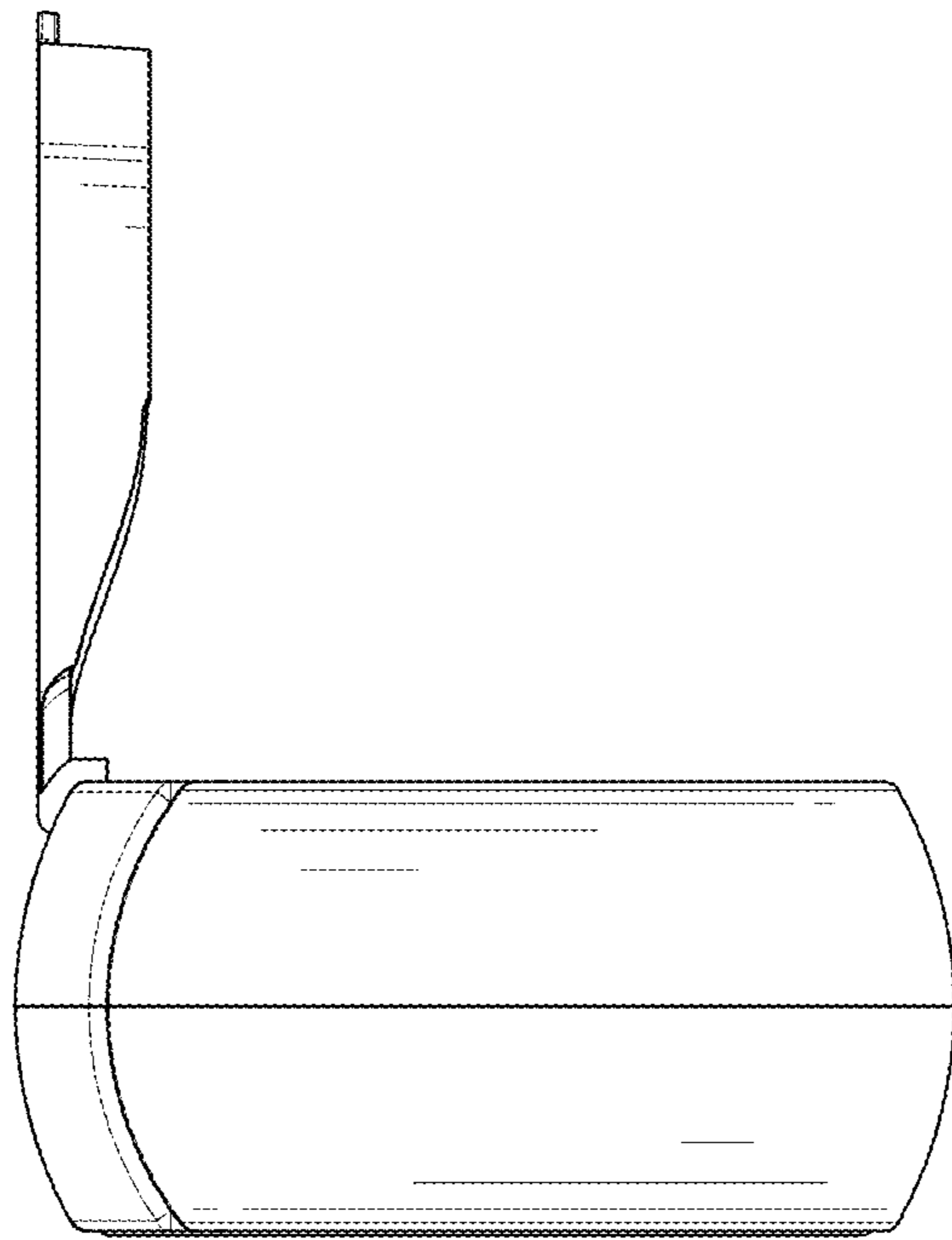


FIG. 3

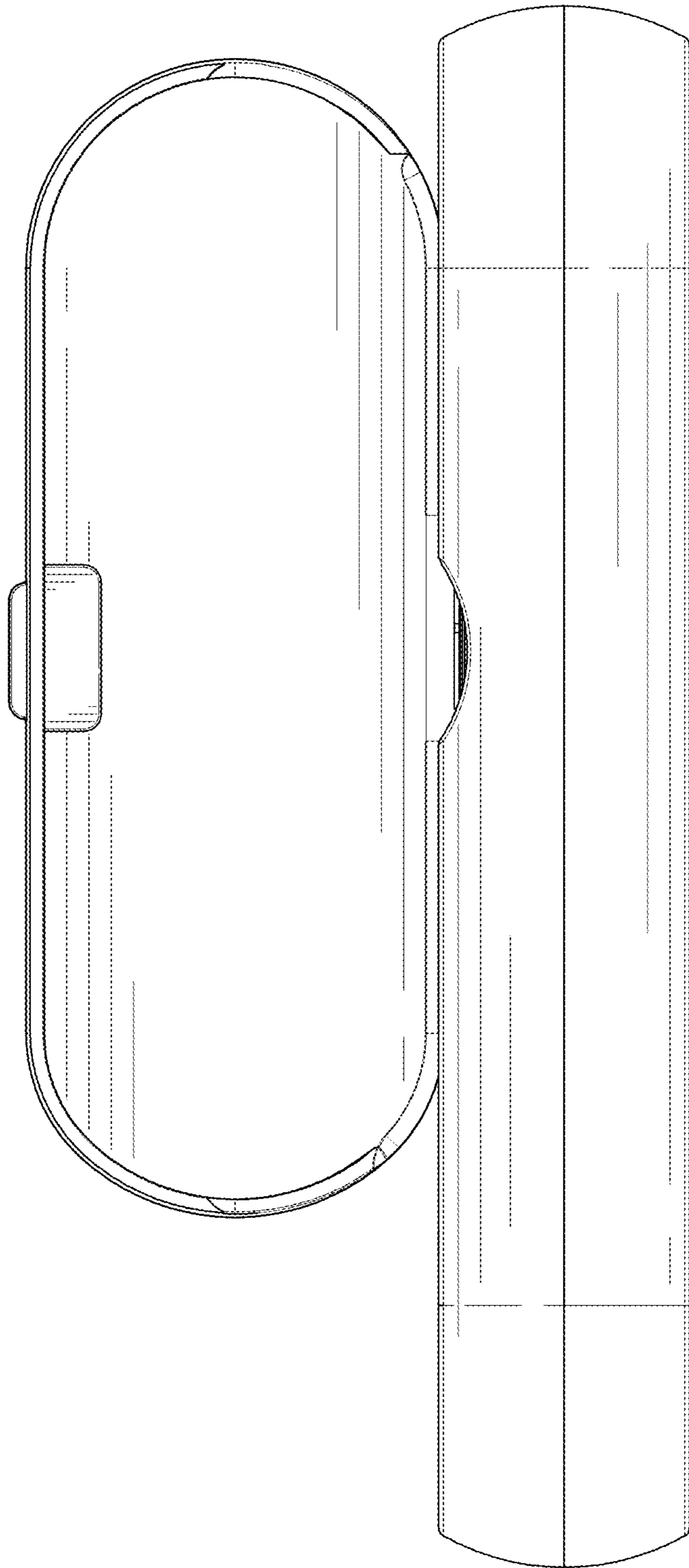


FIG. 4

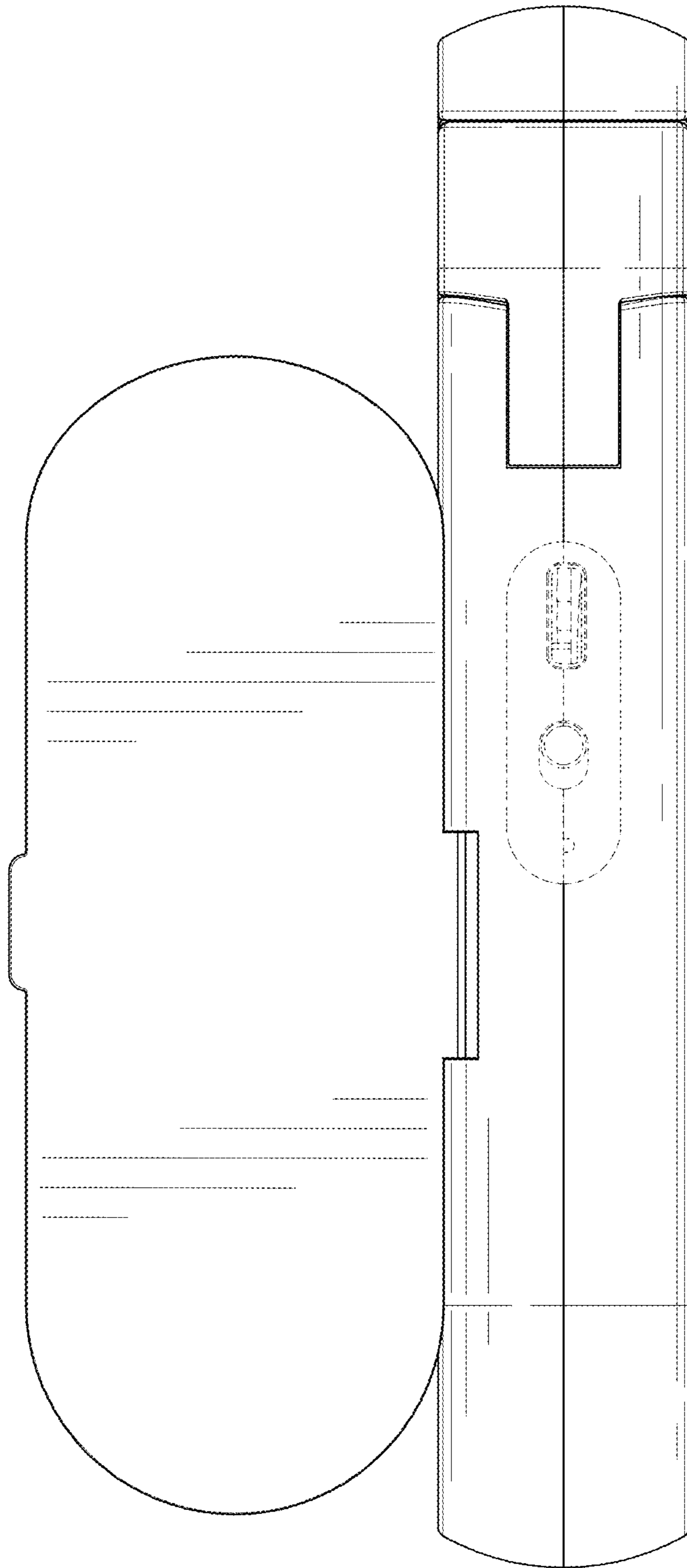


FIG. 5

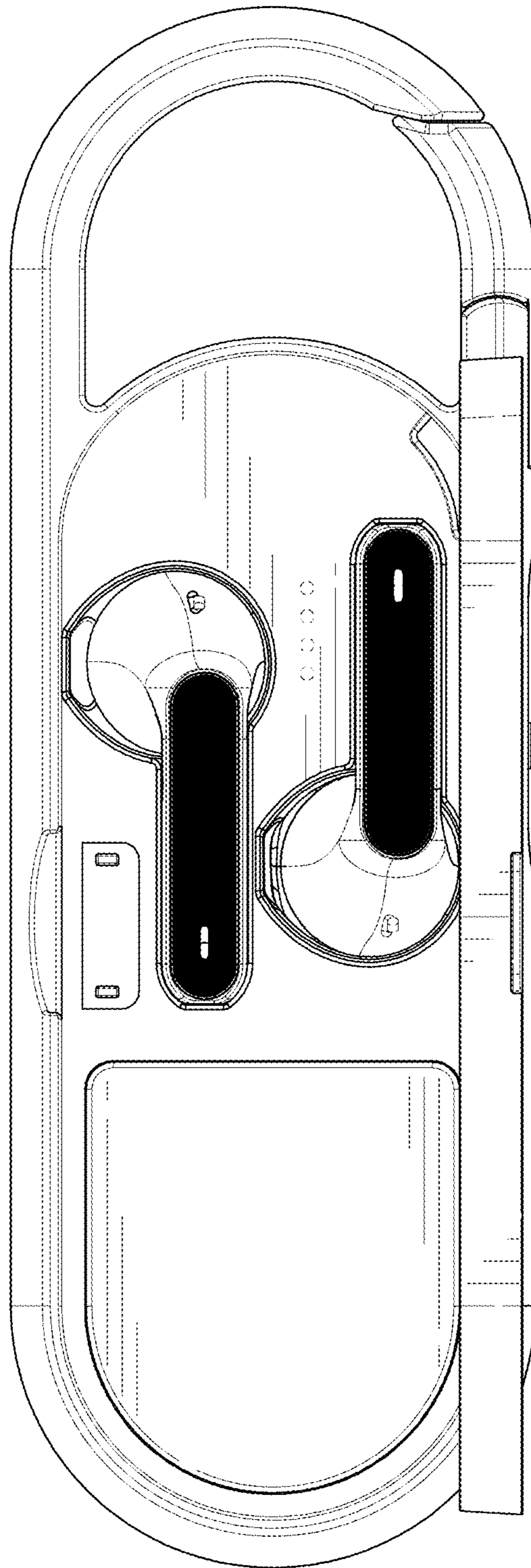


FIG. 6



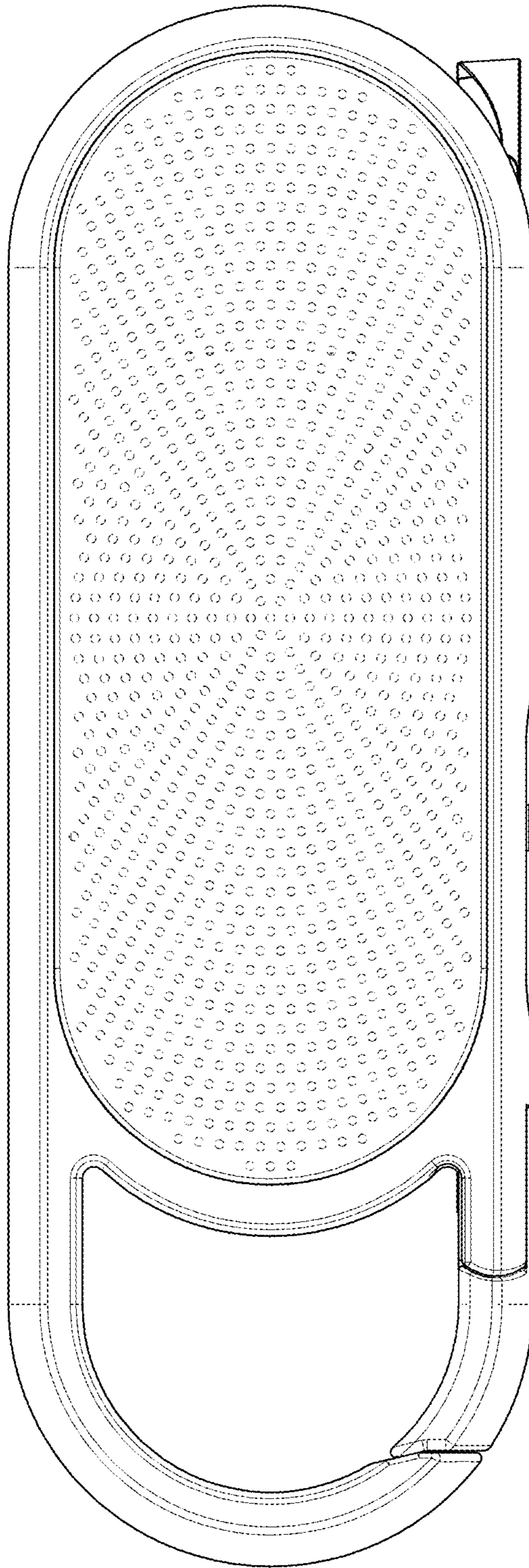


FIG. 7

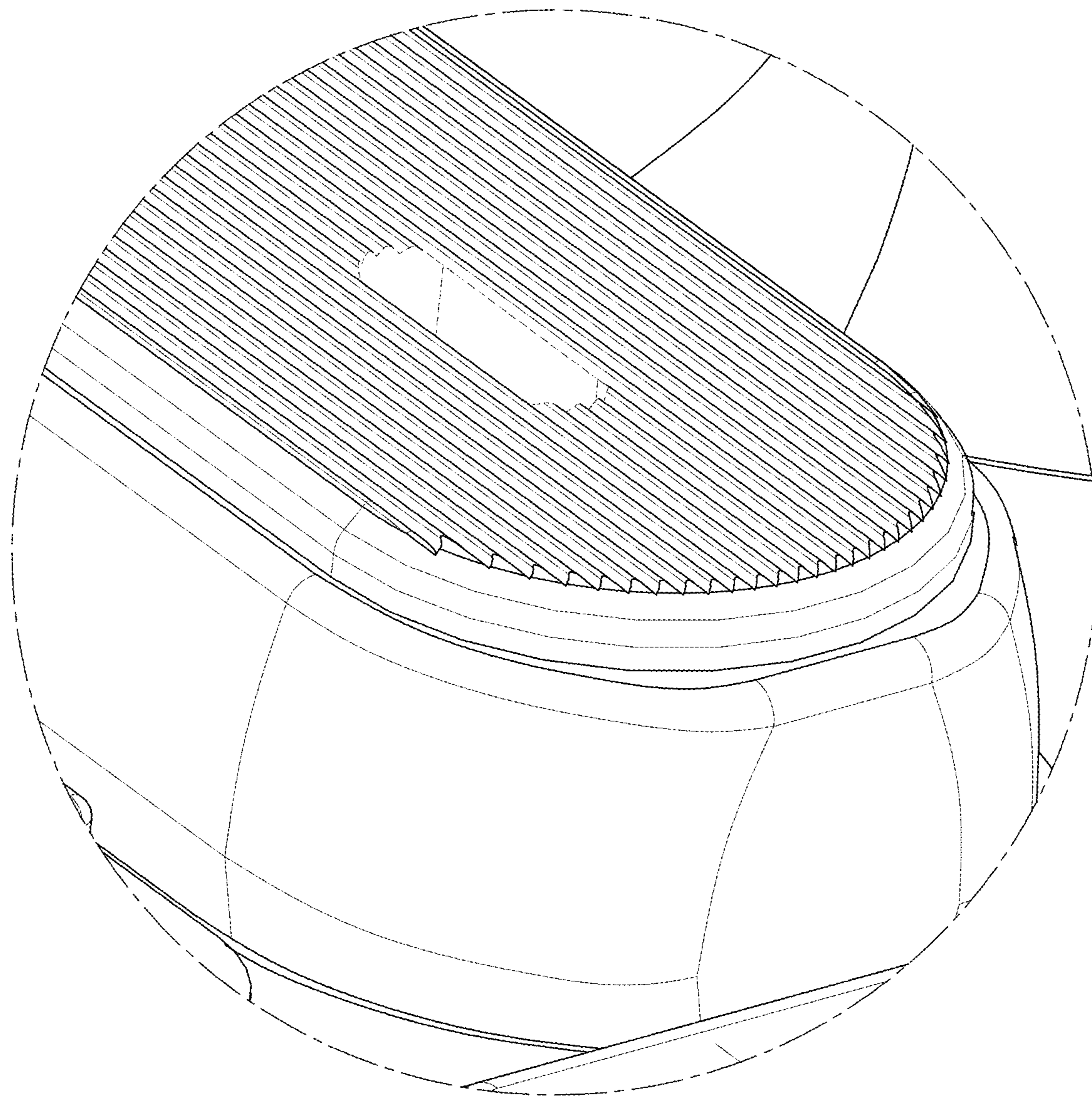


FIG. 8