



US00D917423S

(12) **United States Design Patent**  
**Walker**

(10) **Patent No.:** **US D917,423 S**

(45) **Date of Patent:** **\*\* Apr. 27, 2021**

(54) **FLOORBOARD FORMAT PERSONAL AUDIO MONITORING MIXER WITH DIGITAL AUDIO NETWORK INTERFACE**

1/0083; G10H 1/0575; G10H 1/06; G10H 1/18; G10H 1/386; G10H 2220/101  
See application file for complete search history.

(71) Applicant: **Alastair David Walker**, Hong Kong (HK)

(56) **References Cited**

(72) Inventor: **Alastair David Walker**, Hong Kong (HK)

U.S. PATENT DOCUMENTS

(\*\*) Term: **15 Years**

D611,036 S *	3/2010	Cooper	.....	D14/217
D717,278 S *	11/2014	Amiya	.....	D14/217
D763,827 S *	8/2016	McMillen	.....	D14/217
D769,226 S *	10/2016	Ito	.....	D14/217
D780,718 S *	3/2017	Jackson	.....	D14/217
D783,001 S *	4/2017	Tschetter	.....	D14/217

(21) Appl. No.: **29/697,167**

(Continued)

(22) Filed: **Jul. 4, 2019**

*Primary Examiner* — Khawaja Anwar

(30) **Foreign Application Priority Data**

(74) *Attorney, Agent, or Firm* — Fay Sharpe LLP

Jan. 4, 2019 (GB) ..... 6051217

Jan. 4, 2019 (GB) ..... 6051218

(51) **LOC (13) Cl.** ..... **14-03**

(52) **U.S. Cl.**

USPC ..... **D14/217**

(58) **Field of Classification Search**

USPC ..... D14/217, 257, 258, 434, 496, 162, 167, D14/175, 188, 196-198

CPC ..... G10H 1/0066; G10H 1/0008; G10H 2220/106; G10H 1/32; G10H 2220/096; G10H 2230/015; G10H 1/38; G10H 1/0091; G10H 2210/125; G10H 1/34; G10H 1/348; G10H 1/02; G10H 1/46; G10H 1/0025; G10H 2210/066; G10H 2220/201; G10H 2220/241; G10H 2240/211; G10H 7/008; G10H 7/02; G10H 1/0058; G10H 2230/021; G10H 3/146; G10H 7/00; G10H 1/00; G10H 1/28; G10H 1/342; G10H 1/36; G10H 1/383; G10H 2210/081; G10H 2210/095; G10H 3/188; G10H 1/0033; G10H

(57) **CLAIM**

The ornamental design for a floorboard format personal audio monitoring mixer with digital audio network interface, as shown and described.

**DESCRIPTION**

FIG. 1 is a rear perspective view of a floorboard format personal audio monitoring mixer with digital audio network interface;

FIG. 2 is a bottom view of the floorboard format personal audio monitoring mixer with digital audio network interface;

FIG. 3 is a front view of the floorboard format personal audio monitoring mixer with digital audio network interface;

FIG. 4 is a left side view of the floorboard format personal audio monitoring mixer with digital audio network interface;

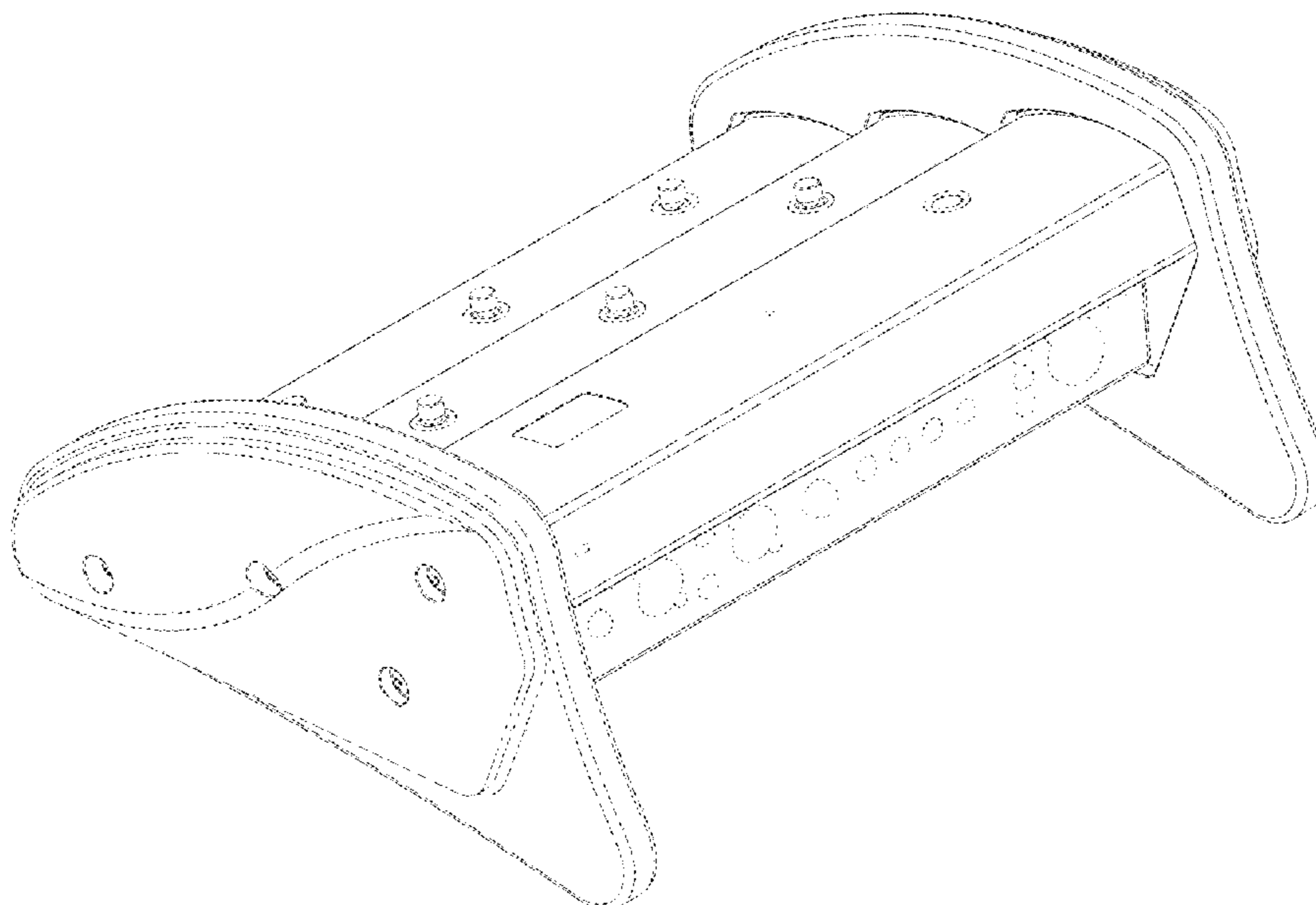
FIG. 5 is a rear view of the floorboard format personal audio monitoring mixer with digital audio network interface;

FIG. 6 is a right side view of the floorboard format personal audio monitoring mixer with digital audio network interface;

and,

FIG. 7 is a top view of the floorboard format personal audio monitoring mixer with digital audio network interface.

**1 Claim, 7 Drawing Sheets**



(56)

**References Cited**

U.S. PATENT DOCUMENTS

D807,860	S	*	1/2018	Tschetter	.....	D14/217
D823,895	S	*	7/2018	Petty	.....	D14/496
D824,880	S	*	8/2018	Jackson	.....	D14/217
D824,881	S	*	8/2018	Jackson	.....	D14/217
D890,722	S	*	7/2020	Wrigley	.....	D14/217
D895,574	S	*	9/2020	Schillebeeckx	.....	D14/217

\* cited by examiner

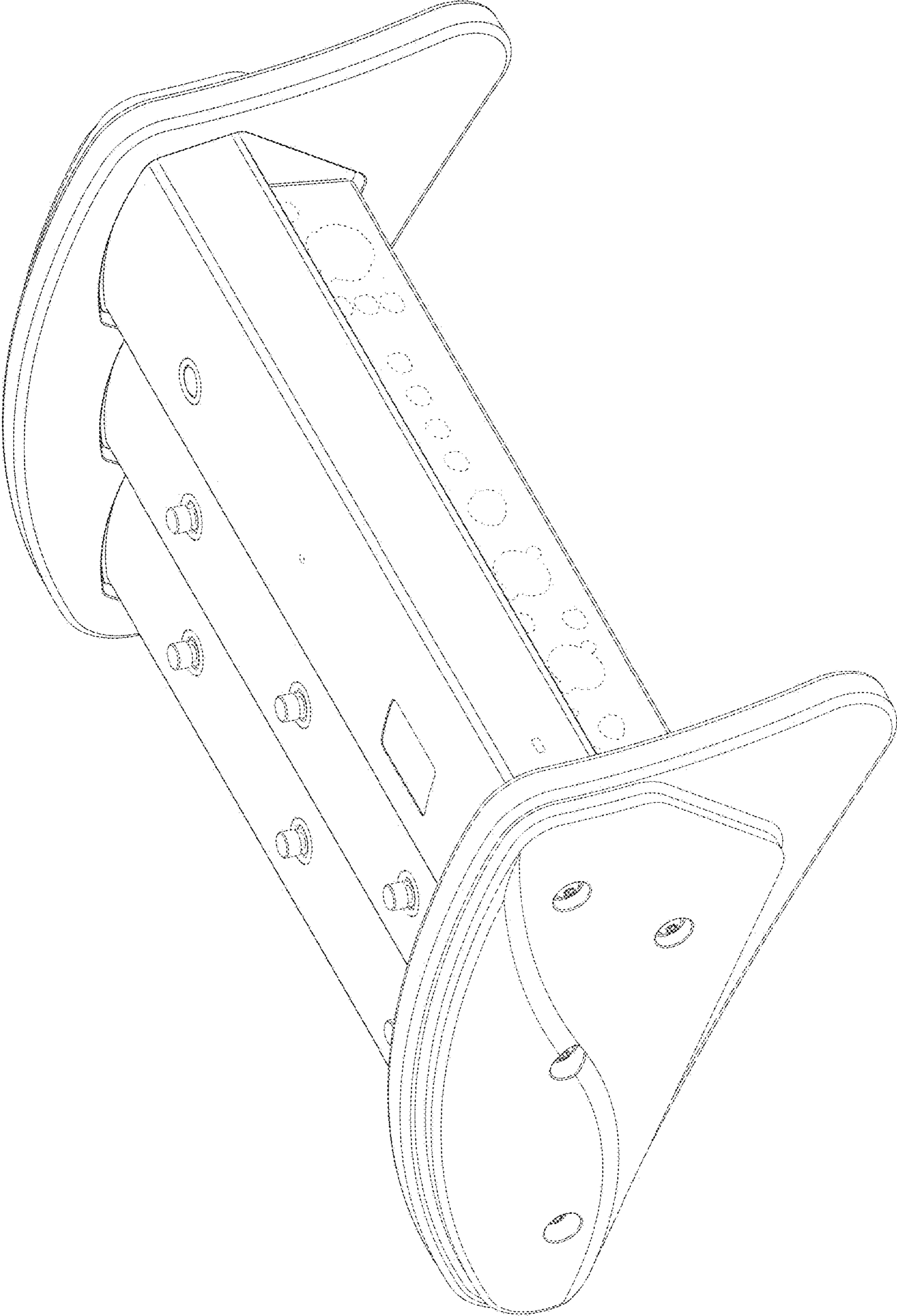


FIG. 1

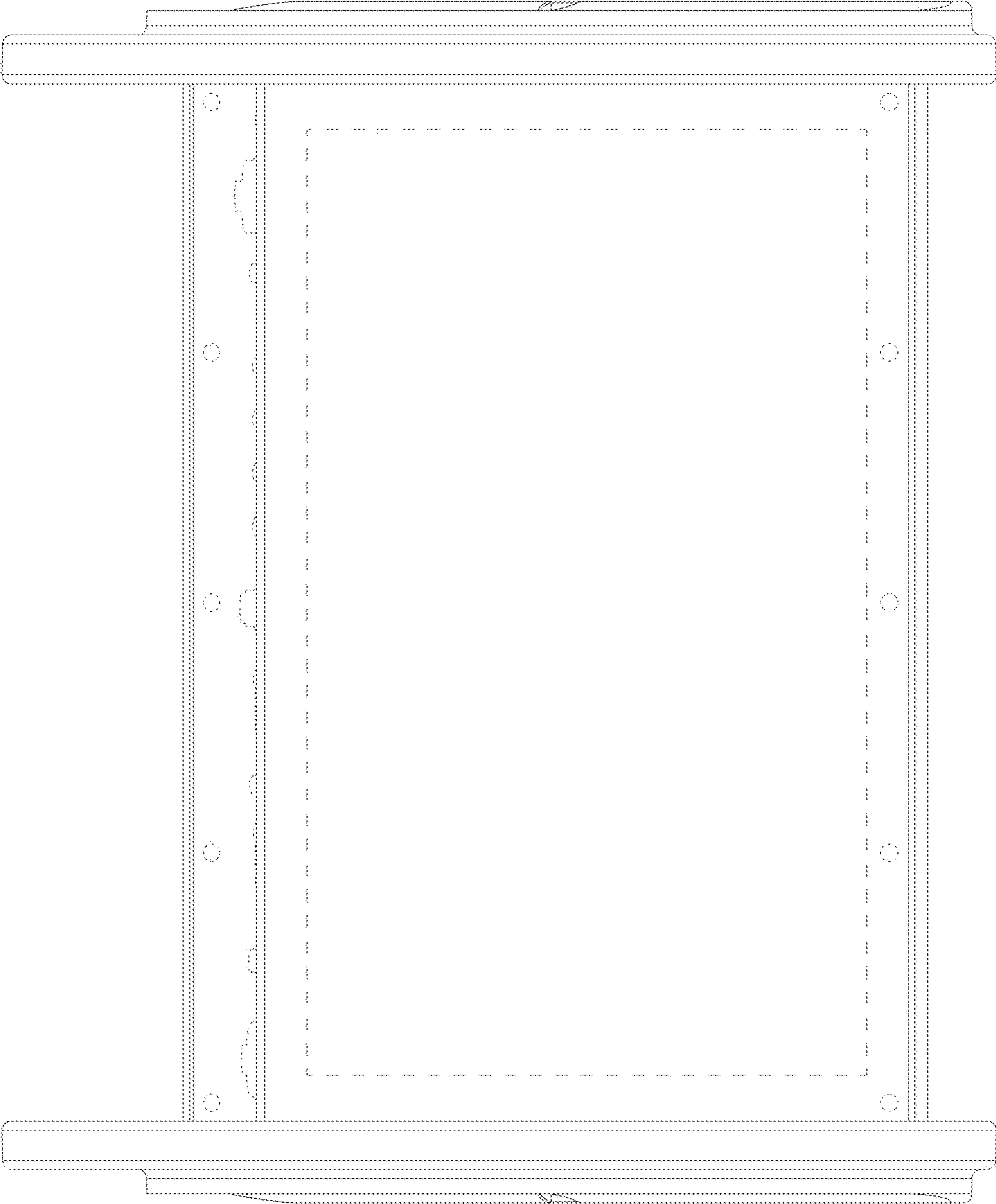


FIG. 2

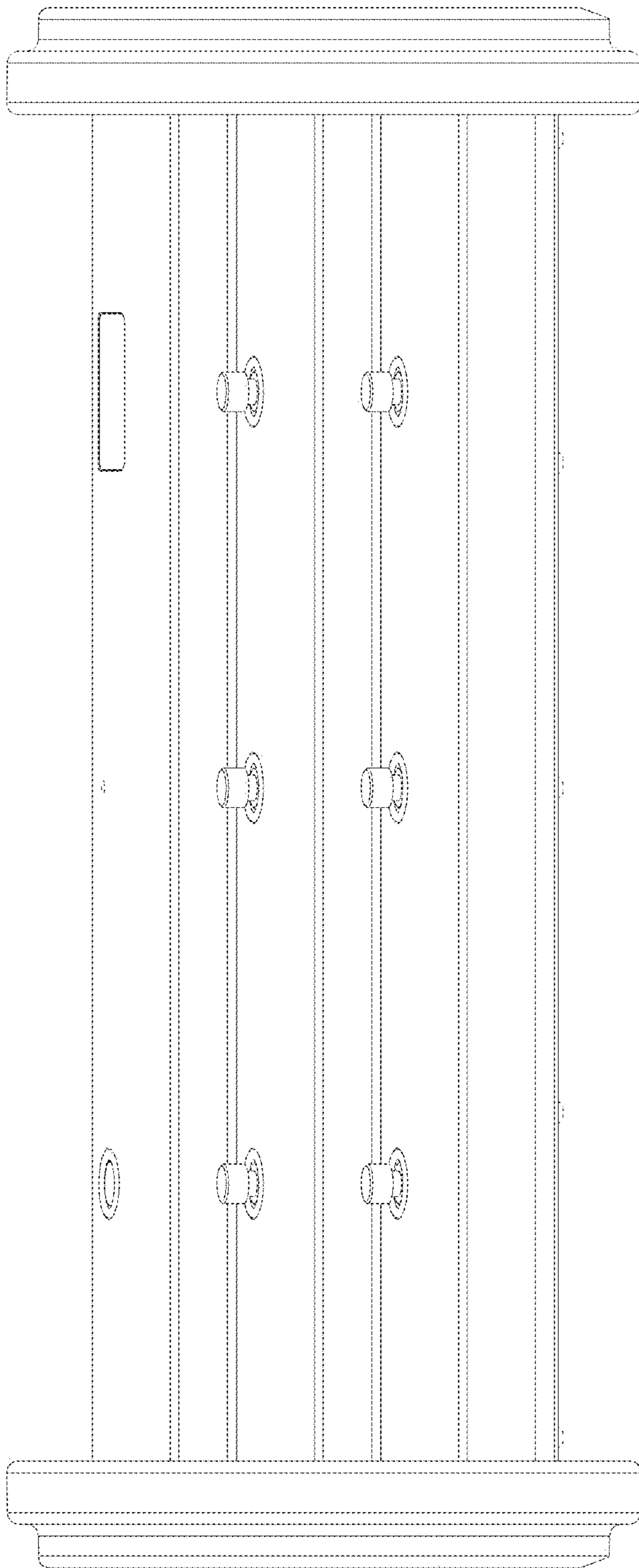


FIG. 3

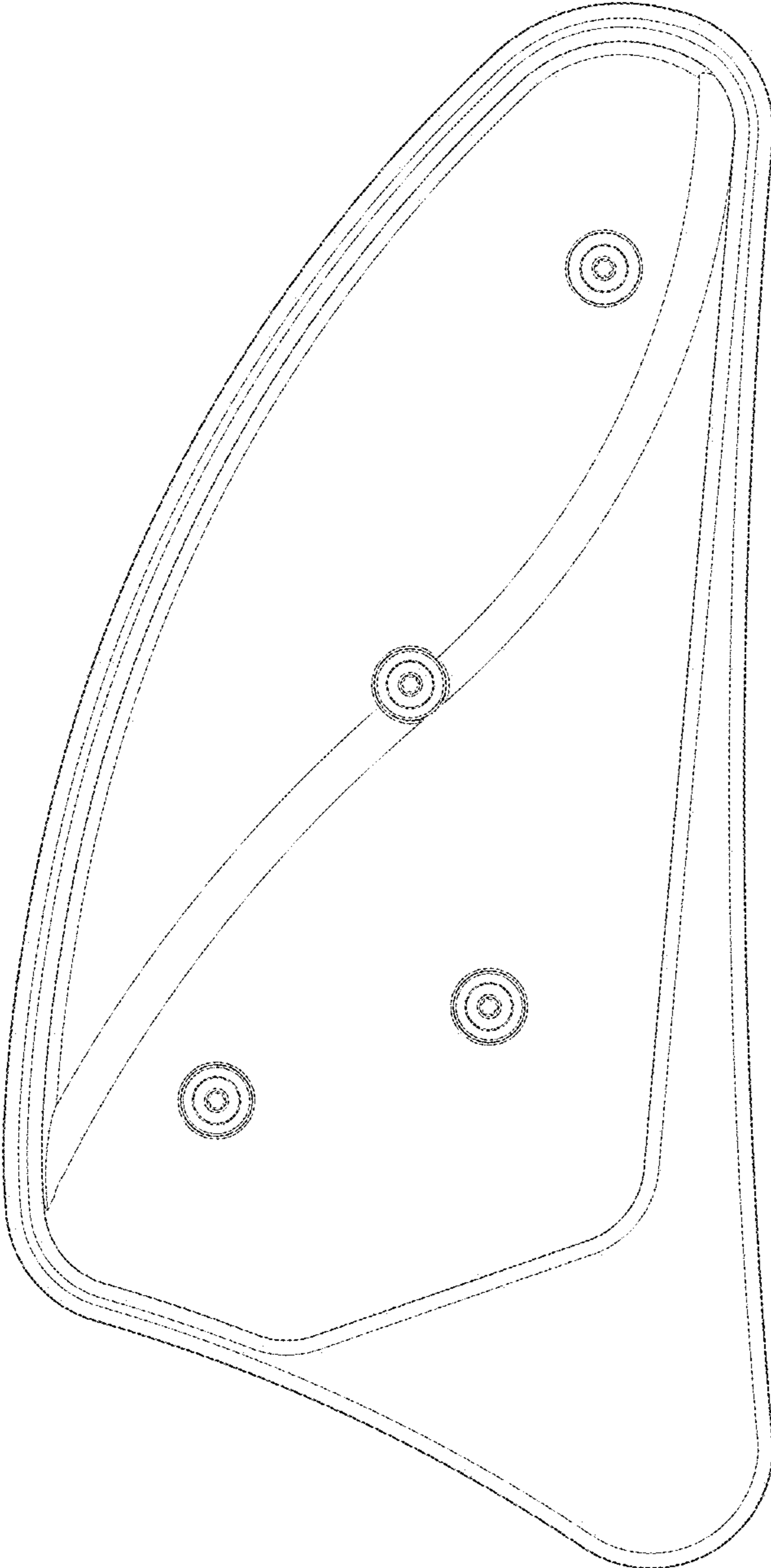


FIG. 4

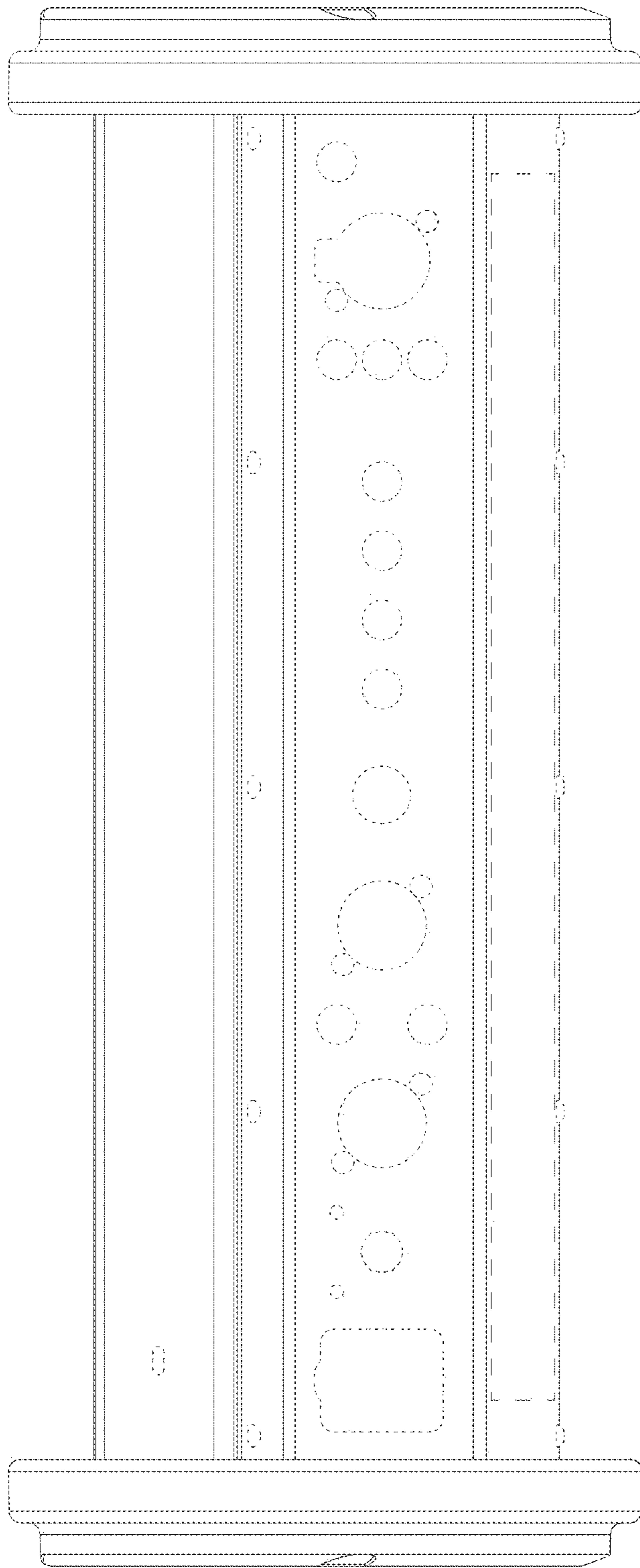


FIG. 5

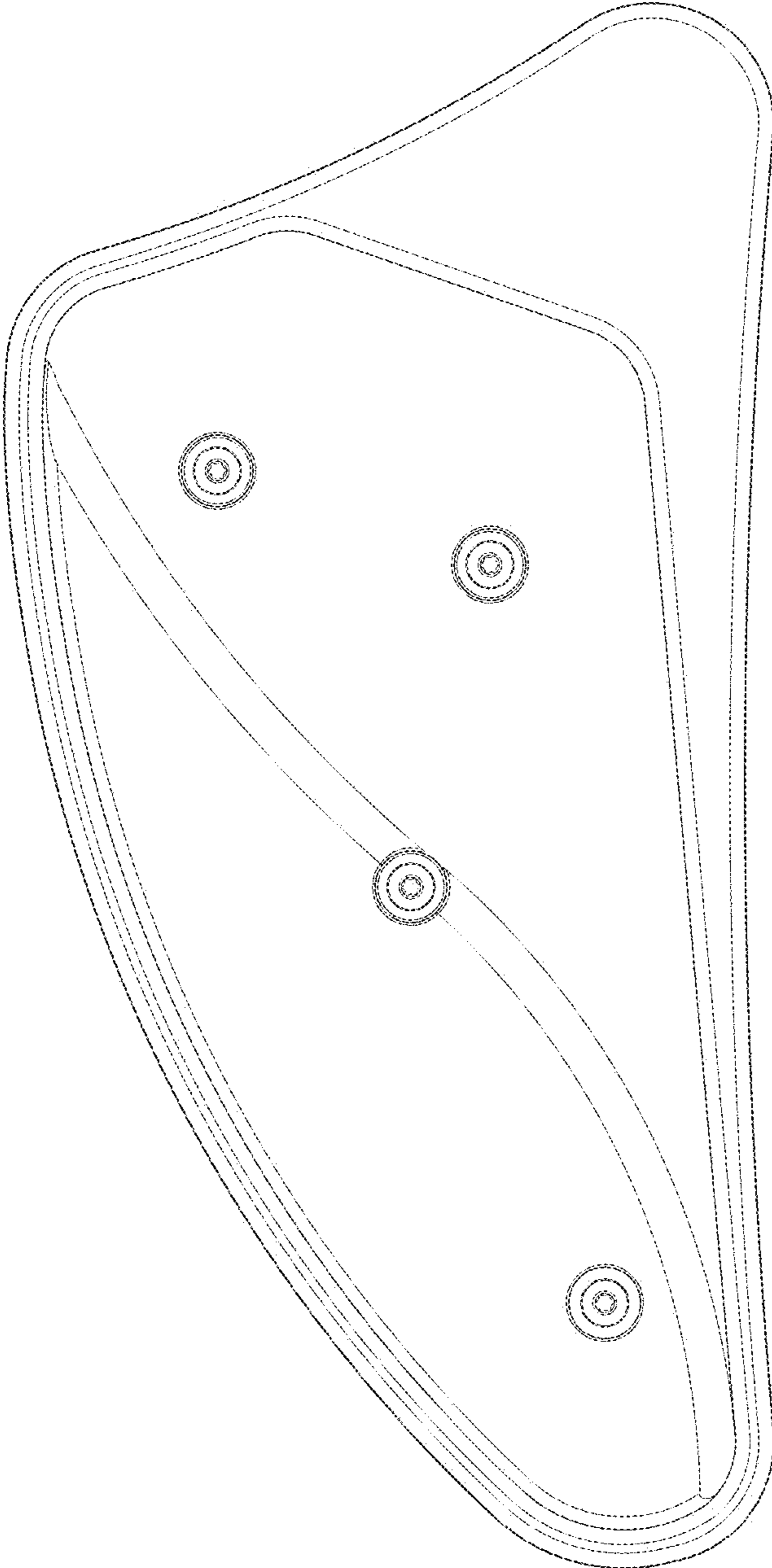


FIG. 6



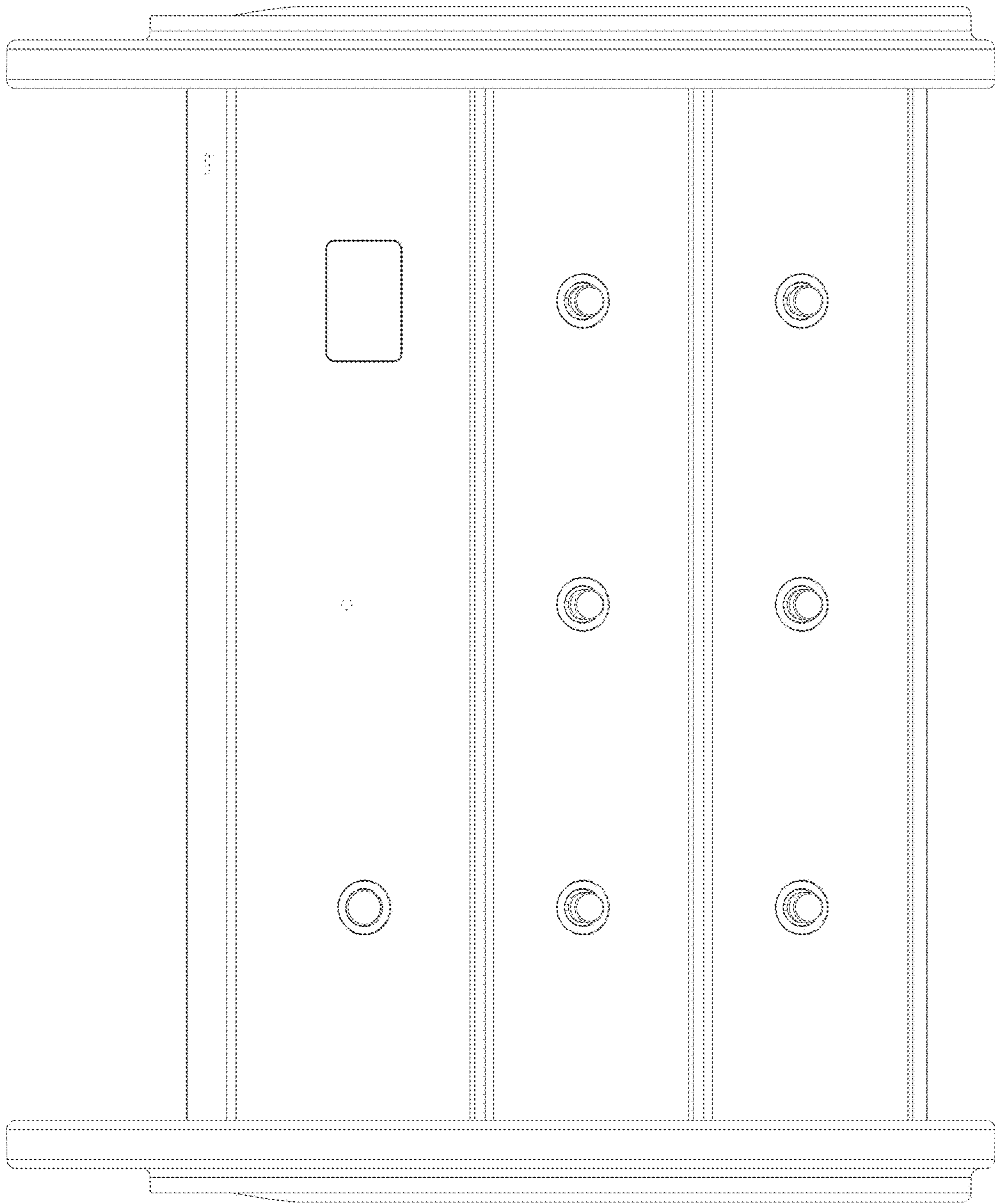


FIG. 7