



US00D917421S

(12) **United States Design Patent**
Zheng

(10) **Patent No.:** **US D917,421 S**

(45) **Date of Patent:** **** Apr. 27, 2021**

(54) **AUDIO HEADSET**

(71) Applicant: **Mingxun Zheng**, Yanji (CN)

(72) Inventor: **Mingxun Zheng**, Yanji (CN)

(**) Term: **15 Years**

(21) Appl. No.: **29/708,675**

(22) Filed: **Oct. 8, 2019**

(51) **LOC (13) Cl.** **14-01**

(52) **U.S. Cl.**
USPC **D14/205**; D14/206

(58) **Field of Classification Search**
USPC D14/205, 206, 188, 192, 249; D29/112;
2/209; 381/380, 381, 370, 374;
455/90.3, 575.1, 569.1
CPC H04R 25/00; H04R 25/02; H04R 1/1016;
H04R 1/1066; H04R 5/033; H04R
5/0335; H04R 1/105; H04R 1/1008;
H04R 1/1091; H04R 1/1058
See application file for complete search history.

(56) **References Cited**

U.S. PATENT DOCUMENTS

- 2,875,543 A * 3/1959 Sylvester D06Q 1/00
428/30
- 2,958,148 A * 11/1960 Sylvester B44F 1/00
428/30
- 3,454,964 A * 7/1969 Brinkhoff A61F 11/14
2/209
- 3,787,899 A * 1/1974 Krawagna H04R 1/1066
2/209
- 5,293,647 A * 3/1994 Mirmilshsteyn H04R 1/10
2/209
- D353,817 S * 12/1994 Wada D14/205
- 5,862,241 A * 1/1999 Nelson H04R 1/105
381/374
- D431,550 S * 10/2000 Yoneda D14/205
- 7,172,052 B2 * 2/2007 Lenhard-Backhaus
H04R 1/1066
181/129
- D571,354 S * 6/2008 Ng D14/205

- D603,370 S * 11/2009 Suzuki D14/205
- D635,959 S * 4/2011 Hutchieson D14/205
- D666,990 S * 9/2012 Komiyama D14/205
- D691,108 S * 10/2013 Takeno D14/205
- D691,583 S * 10/2013 Kitayama D14/205
- D708,163 S * 7/2014 Ishikura D14/205
- D722,998 S * 2/2015 Sancho D14/205
- D781,265 S * 3/2017 Levine D14/205
- D787,469 S * 5/2017 Djohar D14/205
- D811,365 S * 2/2018 Czaniecki D14/205
- D812,588 S * 3/2018 Levine D14/205
- D816,061 S * 4/2018 Ando D14/205
- D826,894 S * 8/2018 Zhang D14/205
- D838,687 S * 1/2019 Wu D14/205

(Continued)

FOREIGN PATENT DOCUMENTS

- EM 008016034-0007 * 12/2019
- EM 007762679-0002 * 3/2020
- JP D1440137 * 4/2012

Primary Examiner — Paula Allen Greene

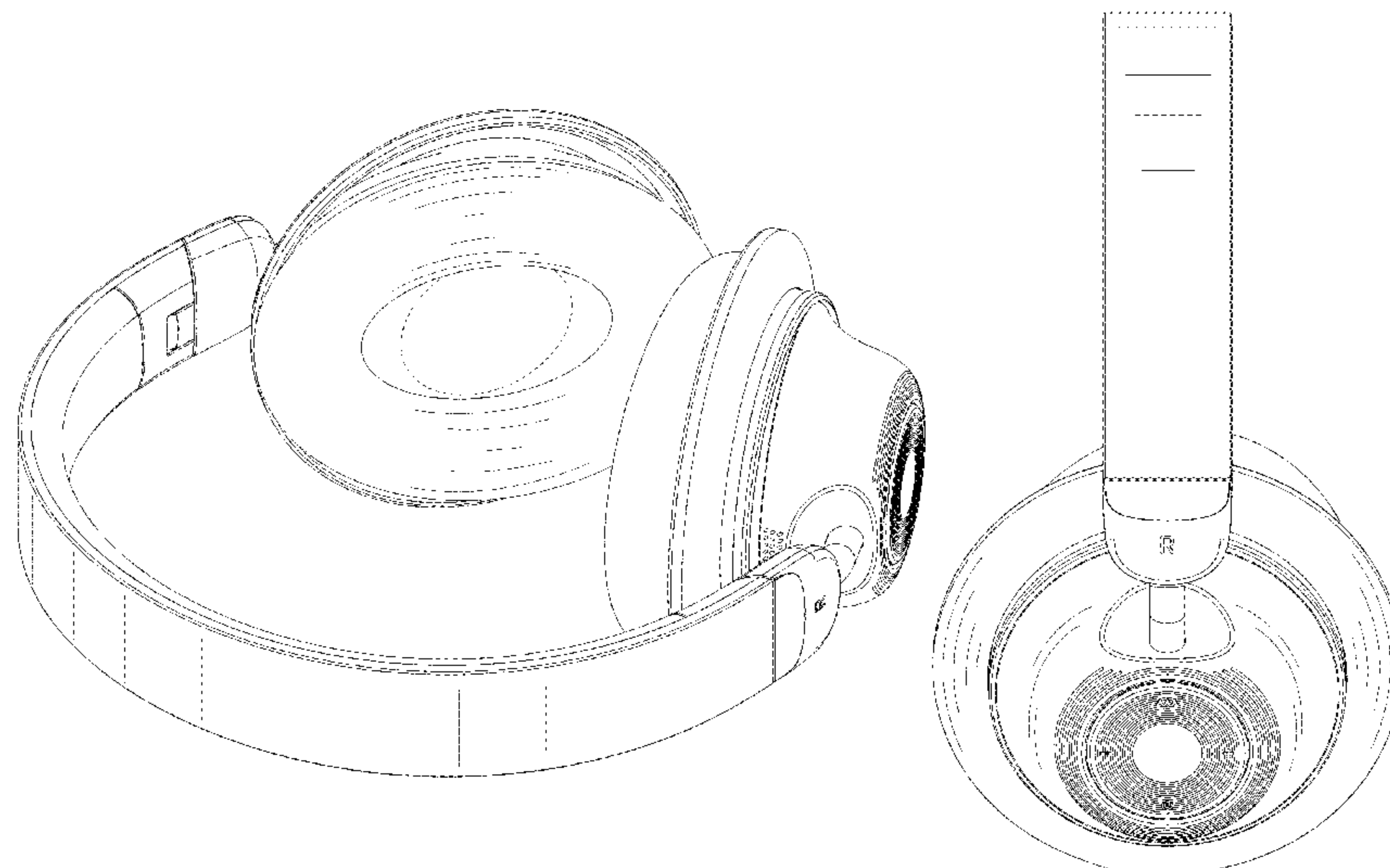
(57) **CLAIM**

The ornamental design for an audio headset, as shown and described.

DESCRIPTION

FIG. 1 is a front, top perspective view of the audio headset showing my new design;
 FIG. 2 is a front, bottom perspective view thereof;
 FIG. 3 is a front elevational view thereof;
 FIG. 4 is a rear elevational view thereof;
 FIG. 5 is a left side elevational view thereof;
 FIG. 6 is a right side elevational view thereof;
 FIG. 7 is a top plan view thereof; and,
 FIG. 8 is a bottom plan view thereof.
 The broken lines of the figures depict the portions of the audio headset that form no part of the claimed design.

1 Claim, 8 Drawing Sheets



(56)

References Cited

U.S. PATENT DOCUMENTS

D848,395	S	*	5/2019	Kelley	D14/205
D851,622	S	*	6/2019	Billaudet	D14/205
D857,652	S	*	8/2019	Wang	D14/205
D858,481	S	*	9/2019	Saule	D14/205
D859,353	S	*	9/2019	Wagner	D14/205
D859,356	S	*	9/2019	Hu	D14/205
D860,161	S	*	9/2019	Xia	D14/205
D871,368	S	*	12/2019	Saule	D14/205
D872,049	S	*	1/2020	Saule	D14/205
D876,388	S	*	2/2020	Carr	D14/205
D877,114	S	*	3/2020	Lindenberger	D14/205
D877,716	S	*	3/2020	Hu	D14/205
D878,327	S	*	3/2020	Dhondt	D14/205
D880,449	S	*	4/2020	Hu	D14/205
D893,452	S	*	8/2020	Yook	D14/205
D900,782	S	*	11/2020	Vaclavik	D14/205
D909,988	S	*	2/2021	Vaclavik	D14/205
2015/0063623	A1	*	3/2015	Yoshida	H04R 1/10 381/378
2017/0353780	A1	*	12/2017	Huang	H04R 5/033
2020/0389719	A1	*	12/2020	Morris	H04R 1/1091

* cited by examiner

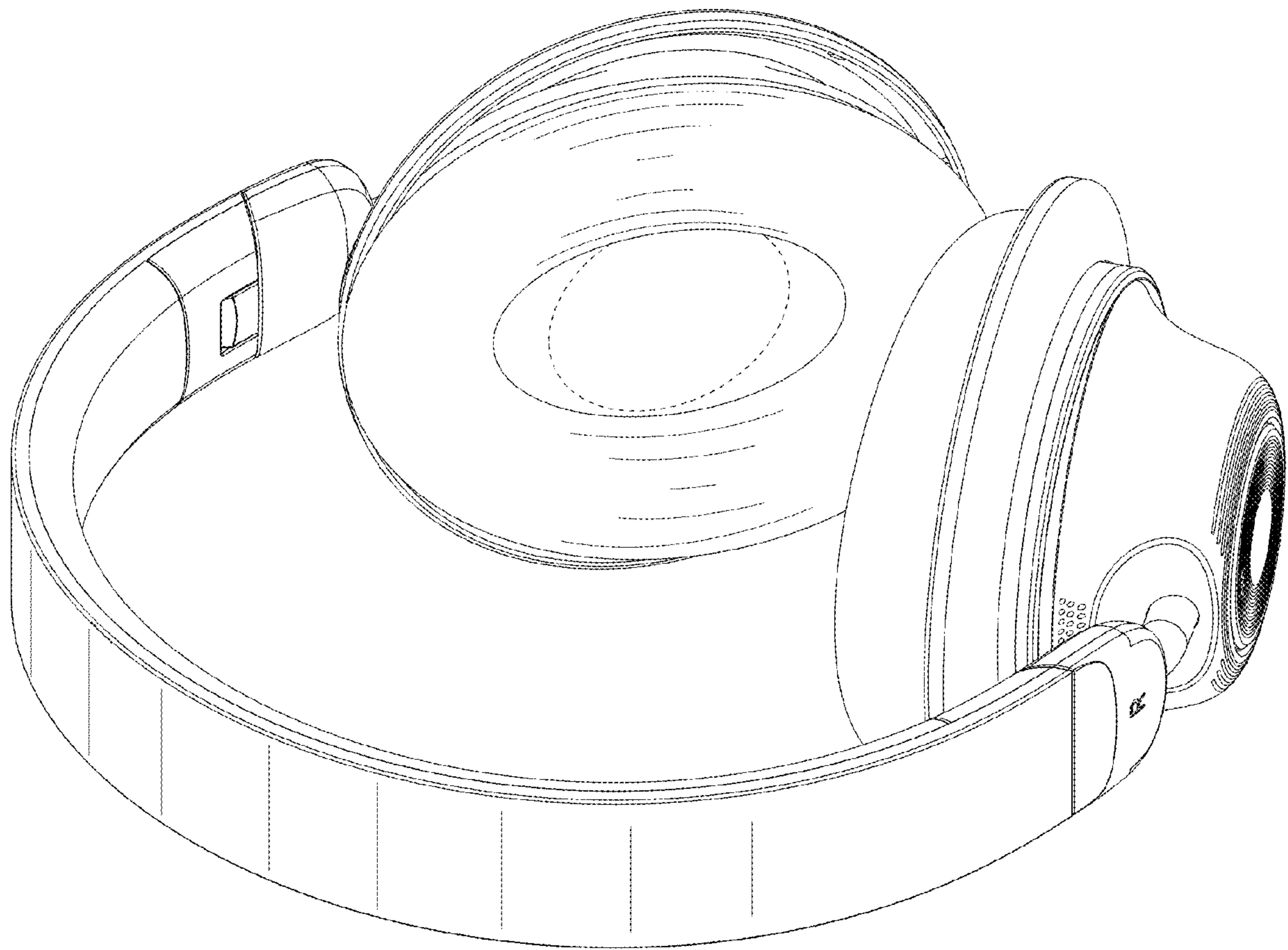


FIG. 1

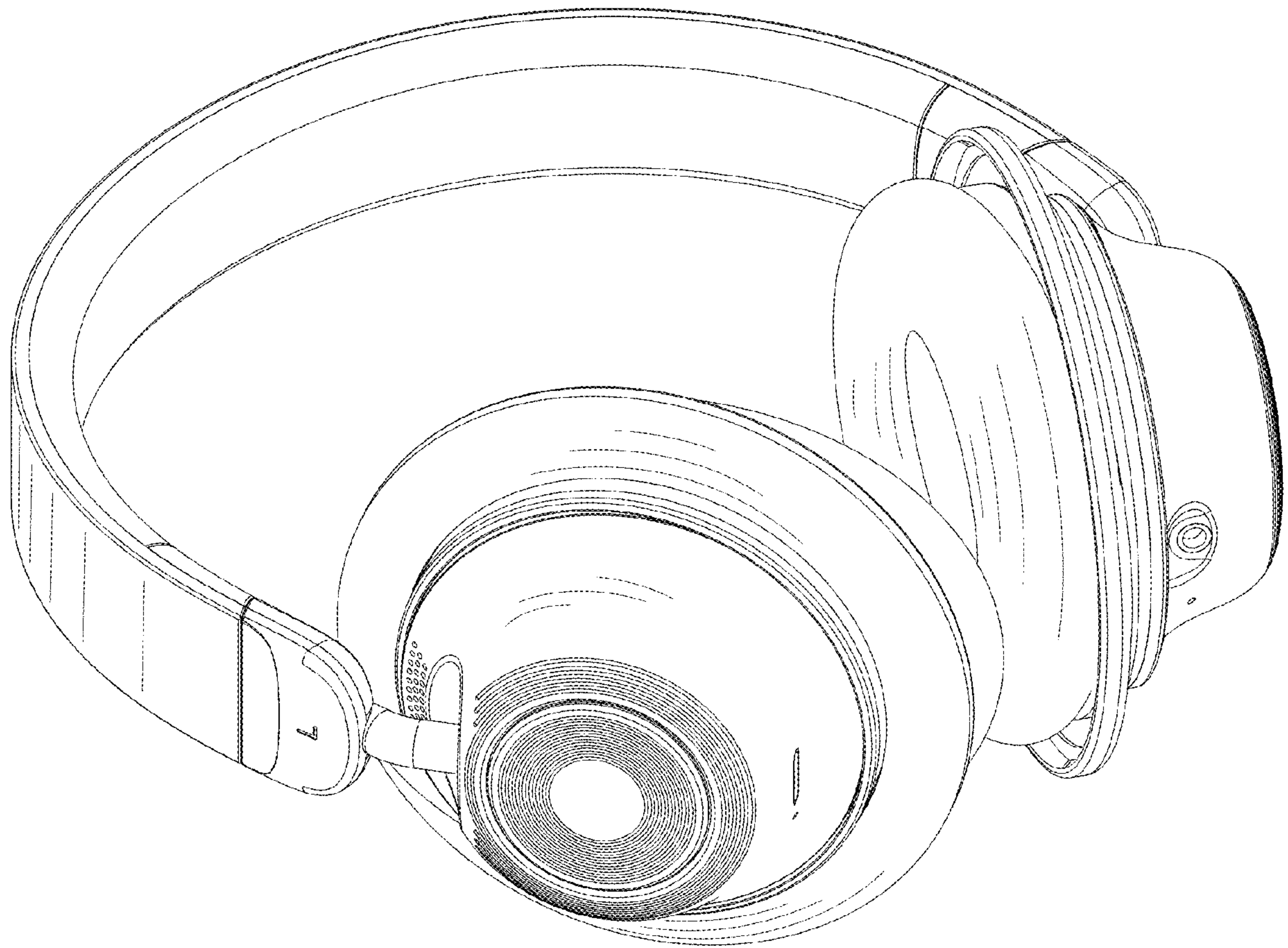


FIG. 2



FIG. 3



FIG. 4

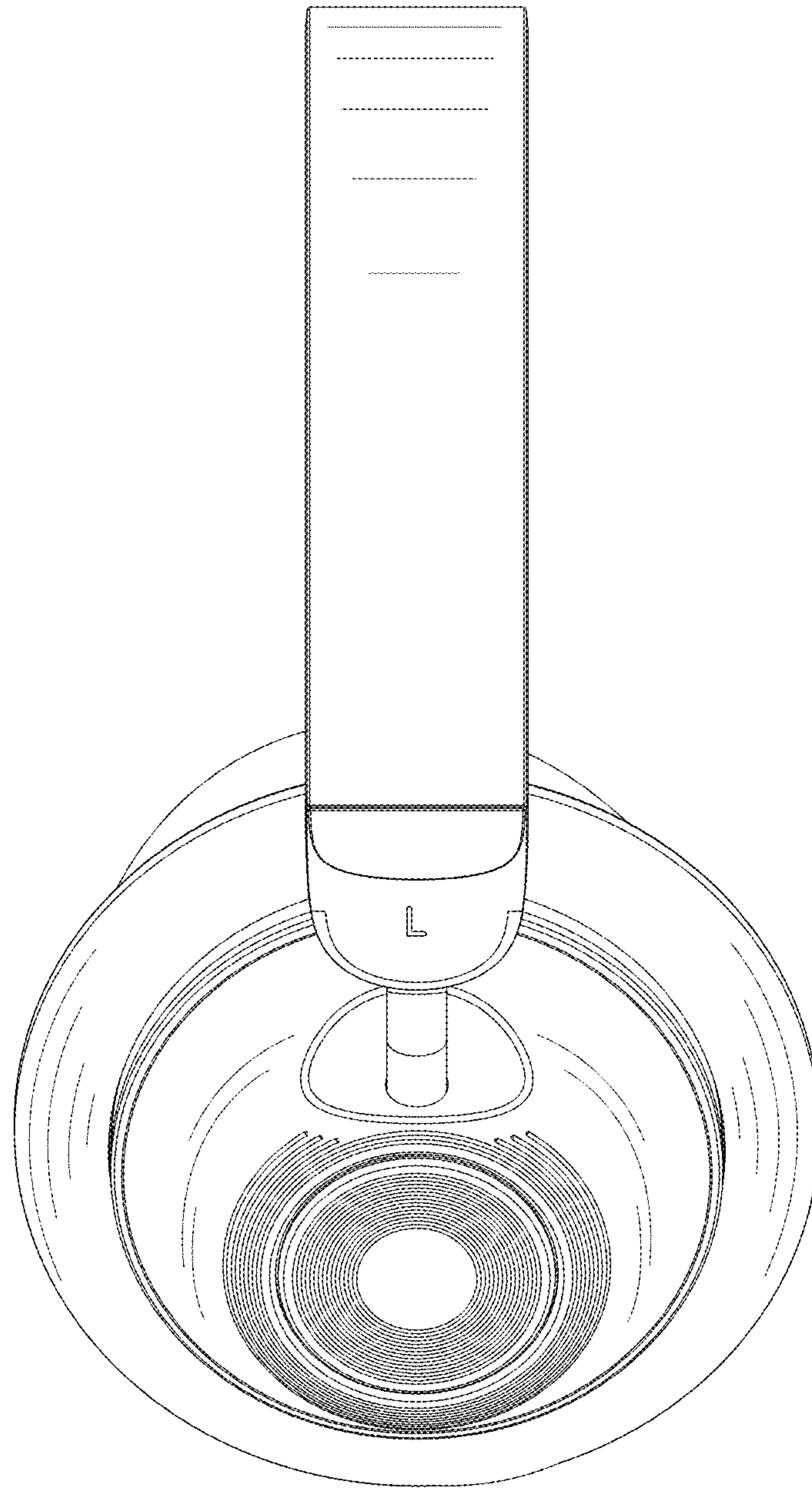


FIG. 5

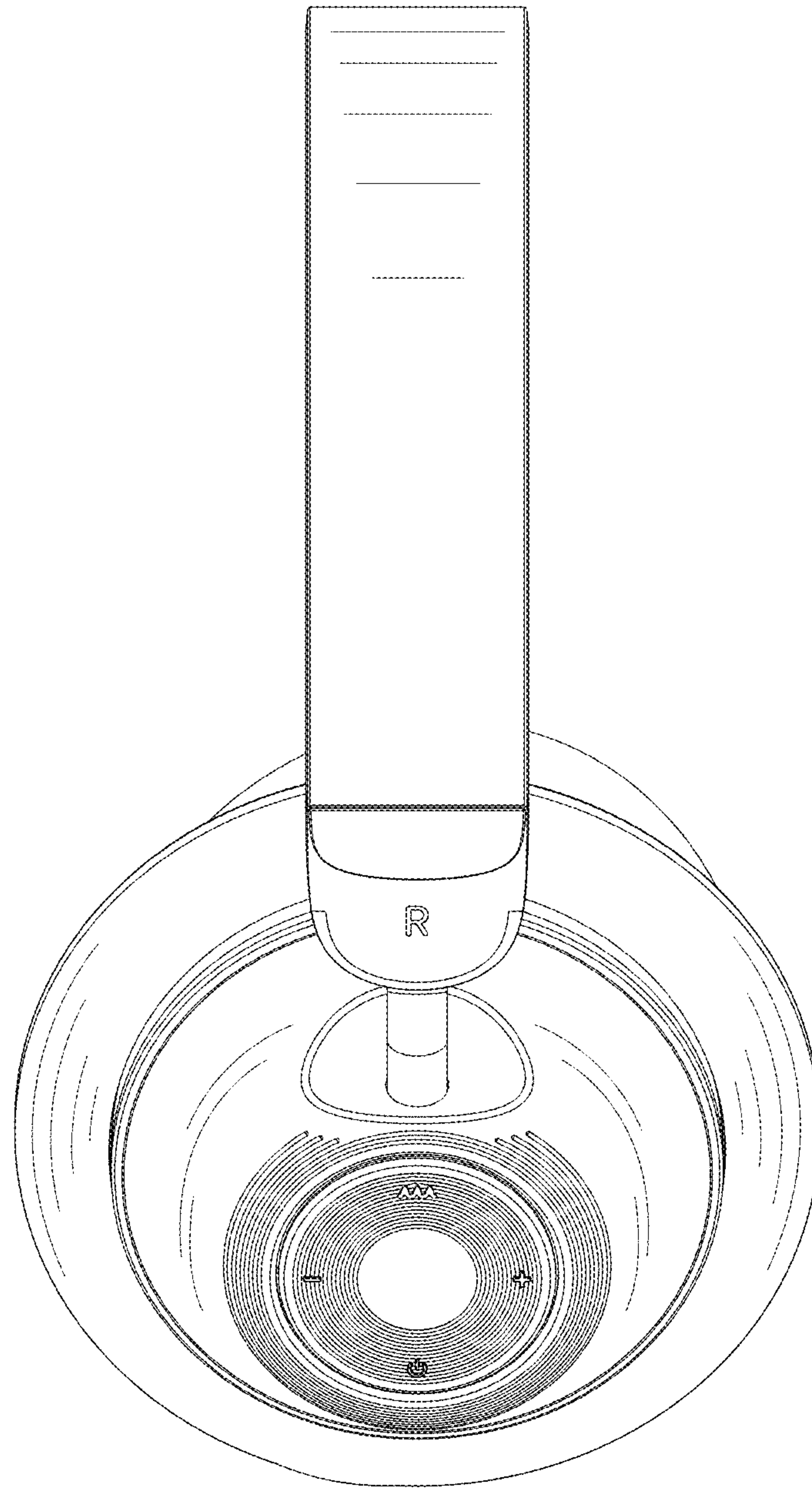


FIG. 6

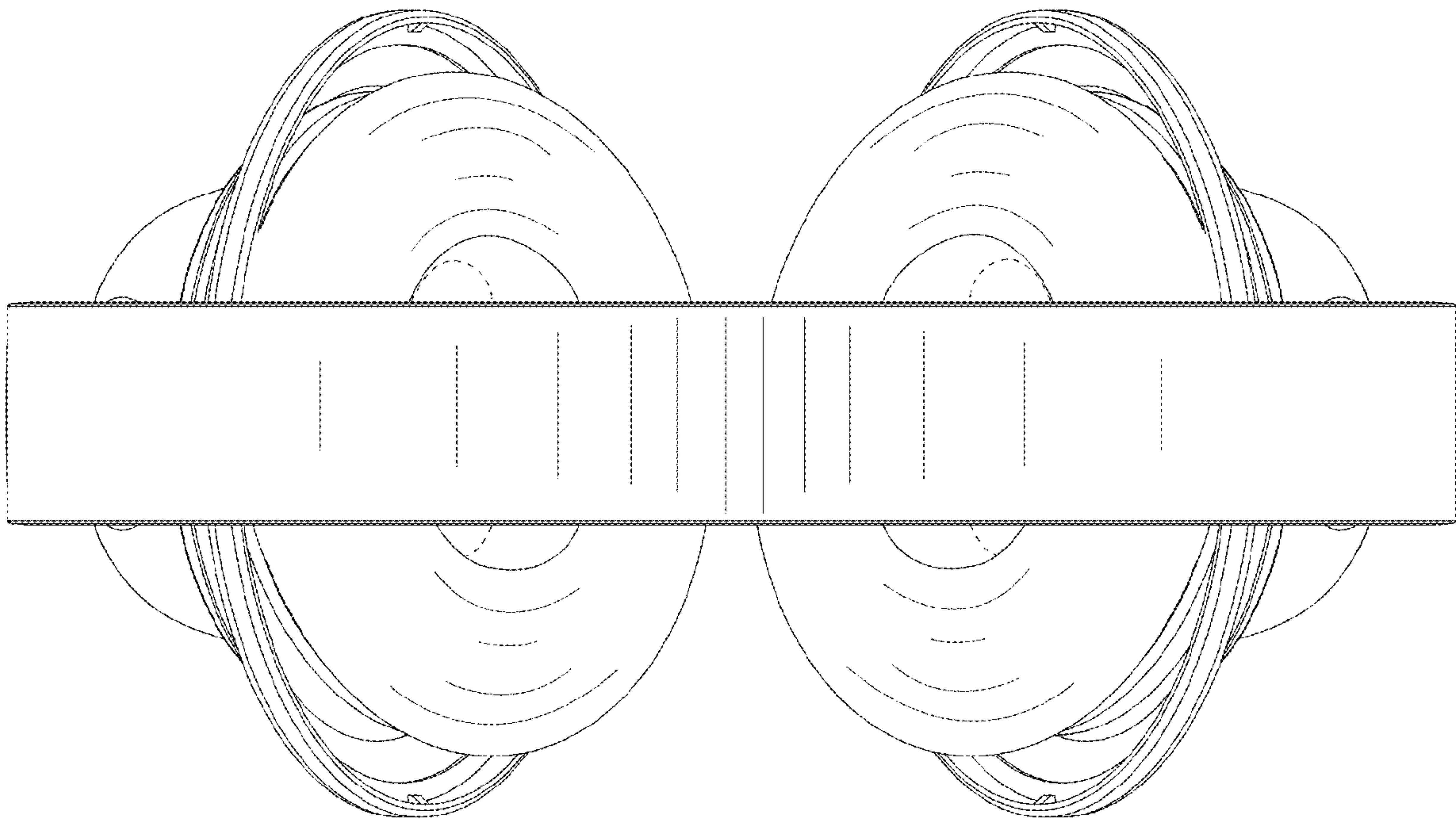


FIG. 7

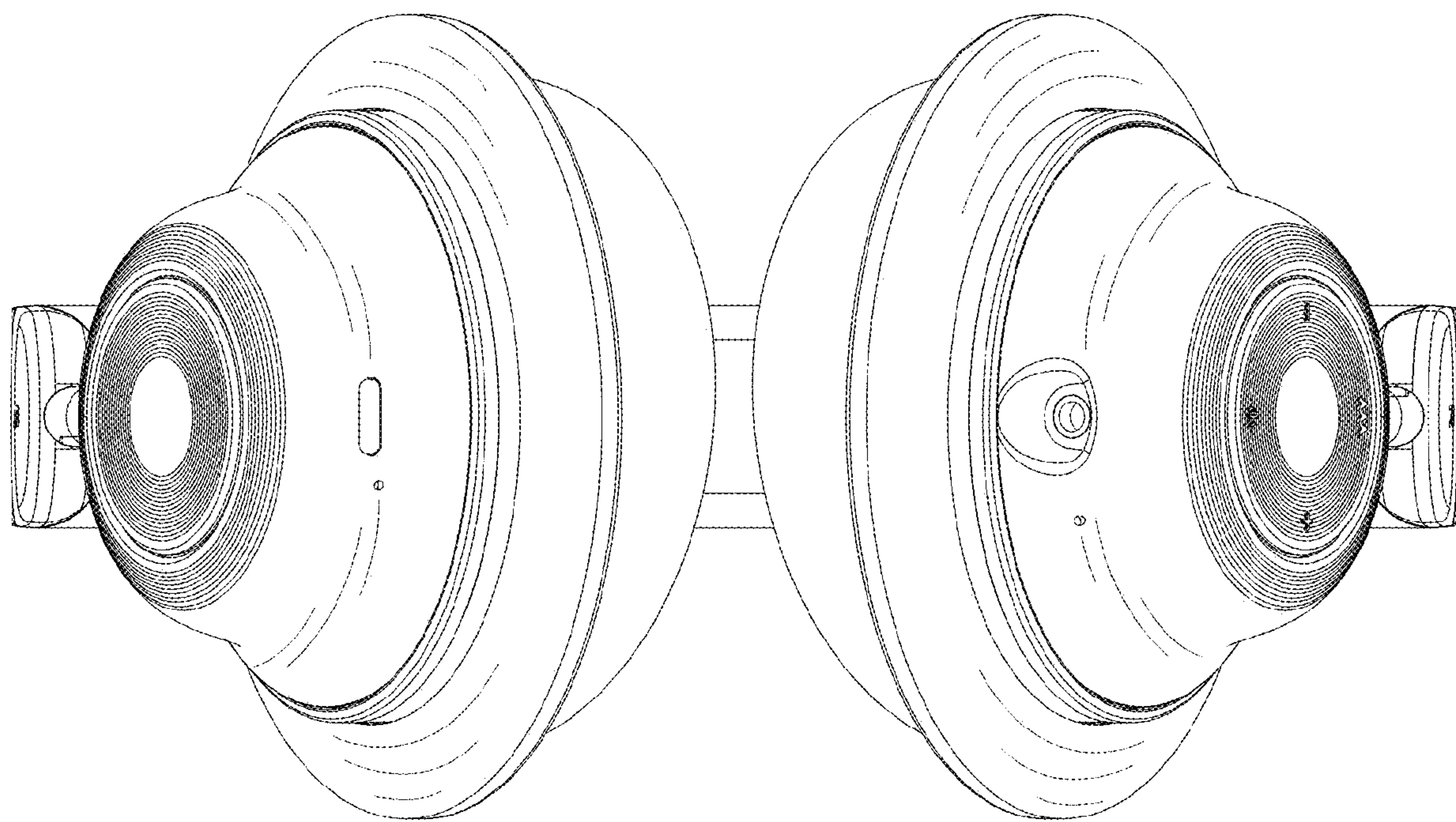


FIG. 8