



US00D917420S

(12) **United States Design Patent**
Zheng

(10) **Patent No.:** **US D917,420 S**

(45) **Date of Patent:** **** Apr. 27, 2021**

(54) **AUDIO HEADSET**

(71) Applicant: **Mingxun Zheng, Yanji (CN)**

(72) Inventor: **Mingxun Zheng, Yanji (CN)**

(**) Term: **15 Years**

(21) Appl. No.: **29/699,394**

(22) Filed: **Jul. 25, 2019**

(51) **LOC (13) Cl.** **14-01**

(52) **U.S. Cl.**
USPC **D14/205**

(58) **Field of Classification Search**
USPC D14/205, 188, 192; D29/112; 2/209;
381/380, 381, 374; 455/90.3, 575.1,
455/569.1; 428/30
CPC H04R 25/00; H04R 25/02; H04R 1/1066;
H04R 1/1016; H04R 5/033; H04R
5/0335; H04R 1/1058
See application file for complete search history.

D691,583 S * 10/2013 Kitayama D14/205
D691,984 S * 10/2013 Wang D14/205
D693,791 S * 11/2013 Troy D14/205
D697,048 S * 1/2014 Pavitsich D14/205
D698,334 S * 1/2014 Fujioka D14/205
D705,750 S * 5/2014 Wu H04R 1/1066
D14/205
8,737,668 B1 * 5/2014 Blair H04R 1/1066
381/378
D719,136 S * 12/2014 Schaal D14/206
D721,053 S * 1/2015 Fujioka D14/205
D725,074 S * 3/2015 Boeckel D14/205
D728,512 S * 5/2015 Nakagawa D14/205
D769,221 S * 10/2016 Pedersen D14/206
D786,824 S * 5/2017 Hembrey D14/205
D787,470 S * 5/2017 Kelly D14/205
D806,676 S * 1/2018 Fuglsang D14/206
D811,364 S * 2/2018 Park D14/205
D812,588 S * 3/2018 Levine D14/205
D814,440 S * 4/2018 Hardi D14/205
D817,303 S * 5/2018 Tragatschnig D14/205
D823,278 S * 7/2018 Ito D14/205
D826,894 S * 8/2018 Zhang D14/205

(Continued)

Primary Examiner — Paula Allen Greene

(56) **References Cited**

U.S. PATENT DOCUMENTS

2,875,543 A * 3/1959 Sylvester D06Q 1/00
428/30
2,958,148 A * 11/1960 Sylvester B44F 1/00
428/30
7,172,052 B2 * 2/2007 Lenhard-Backhaus
H04R 1/1066
181/129
7,412,070 B2 * 8/2008 Kleinschmidt H04R 1/1066
381/374
D604,266 S * 11/2009 Milde D14/205
D635,959 S * 4/2011 Hutchieson D14/205
D637,176 S * 5/2011 Brunner D14/205
D639,776 S * 6/2011 Arimoto D14/205
D665,775 S * 8/2012 Katsumata D14/205
D666,990 S * 9/2012 Komiyama D14/205
D673,523 S * 1/2013 Brennwald D14/206

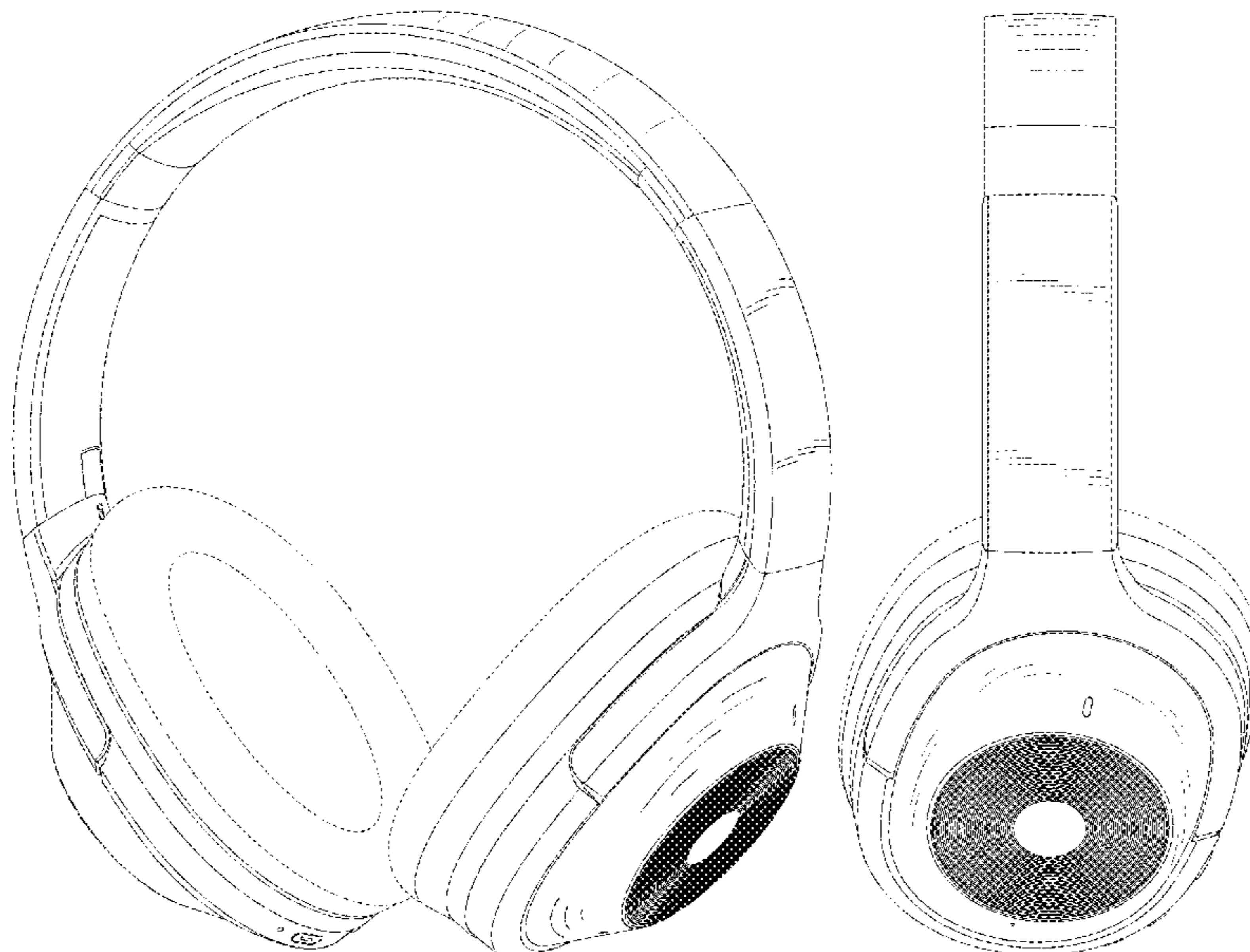
(57) **CLAIM**

The ornamental design for an audio headset, as shown and described.

DESCRIPTION

FIG. 1 is a front perspective view of the audio headset showing my new design;
FIG. 2 is a front elevational view thereof;
FIG. 3 is a rear elevational view thereof;
FIG. 4 is a left side elevational view thereof;
FIG. 5 is a right side elevational view thereof;
FIG. 6 is a top plan view thereof; and,
FIG. 7 is a bottom plan view thereof.
The broken lines in the figures depict the portions of the article that form no part of the claimed design.

1 Claim, 7 Drawing Sheets



(56)

References Cited

U.S. PATENT DOCUMENTS

D829,193	S	*	9/2018	Cai	D14/223
D832,813	S	*	11/2018	Levine	D14/205
D834,260	S	*	11/2018	Garcia Mansilla	D29/112
D834,557	S	*	11/2018	Hardi	D14/205
D836,084	S	*	12/2018	Xie	D14/205
D840,370	S	*	2/2019	Kelly	D14/205
D843,967	S	*	3/2019	Paterson	D14/205
D851,622	S	*	6/2019	Billaudet	D14/205
D852,163	S	*	6/2019	Nagamine	D14/205
D852,168	S	*	6/2019	Zhou	D14/205
D852,777	S	*	7/2019	Park	D14/206
D854,513	S	*	7/2019	Miyake	D14/205
D859,354	S	*	9/2019	Xia	D14/205
D859,356	S	*	9/2019	Hu	D14/205
D864,900	S	*	10/2019	Miller	D14/205
D867,328	S	*	11/2019	Bian	D14/205
D868,029	S	*	11/2019	Hanggi	D14/205
D868,733	S	*	12/2019	Luo	D14/205
D869,432	S	*	12/2019	Jung	D14/205
D869,437	S	*	12/2019	Hu	D14/205
D871,367	S	*	12/2019	Zhijun	D14/205
D879,066	S	*	3/2020	Chen	D14/205
D879,741	S	*	3/2020	Hu	D14/205
D883,949	S	*	5/2020	Hu	D14/205
D887,391	S	*	6/2020	Chong	D14/205
D888,008	S	*	6/2020	Yook	D14/205
D892,078	S	*	8/2020	He	D14/205
D892,079	S	*	8/2020	Wu	D14/205
D893,451	S	*	8/2020	Nagamine	D14/205
2010/0310093	A1	*	12/2010	Semcken	H04R 1/1058 381/104
2017/0230746	A1	*	8/2017	Silvestri	G10K 11/162

* cited by examiner



FIG. 1

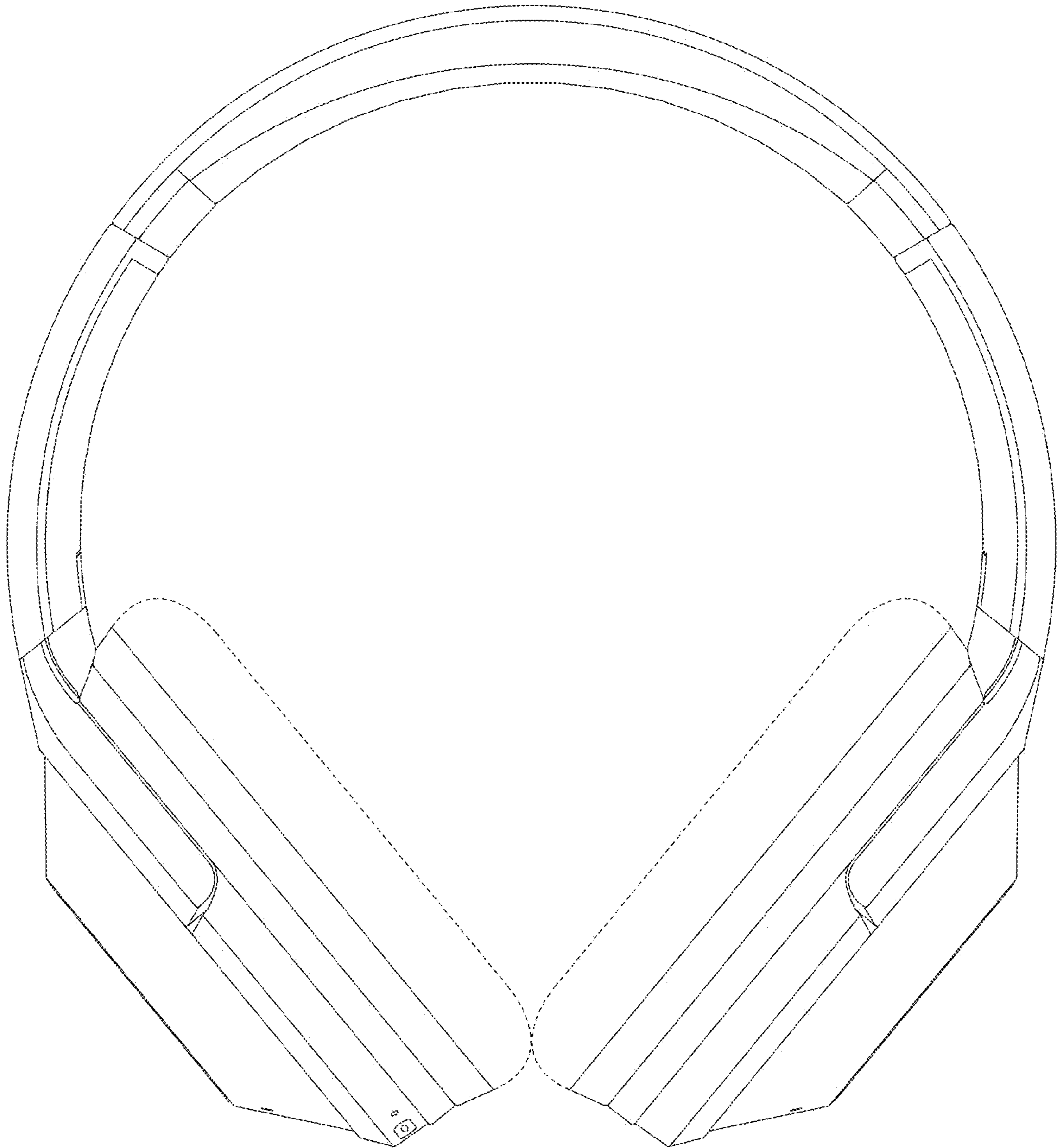


FIG. 2

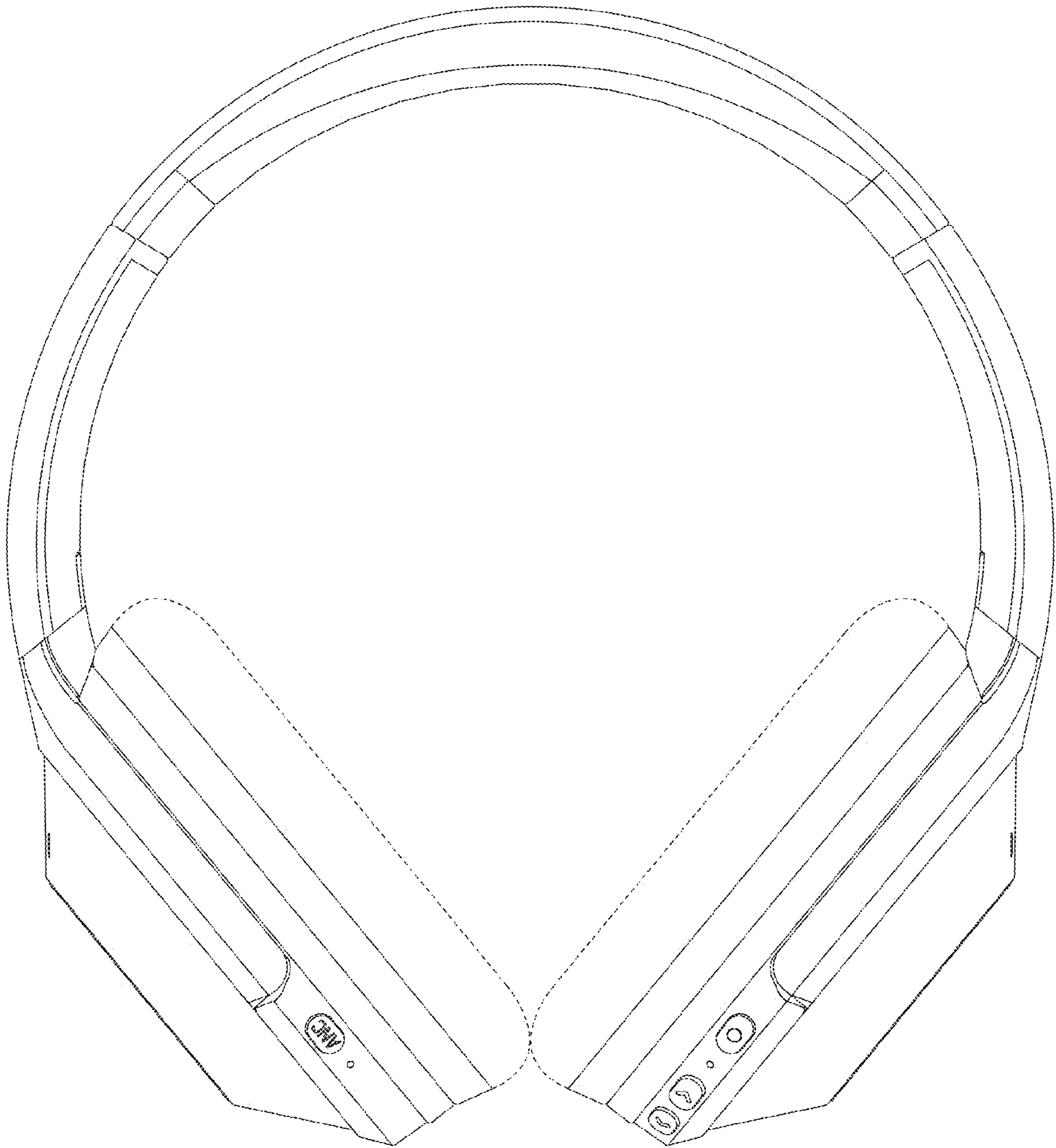


FIG. 3

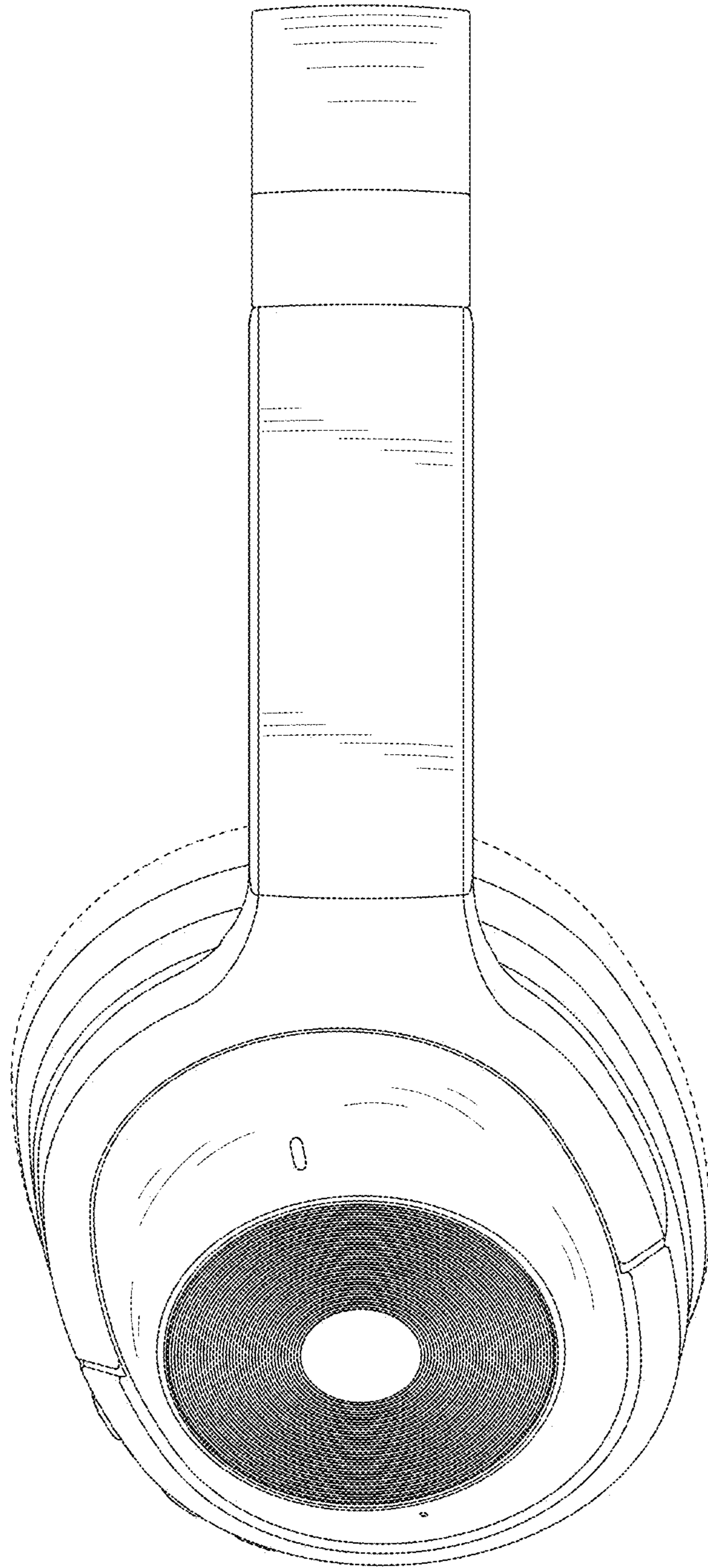


FIG. 4

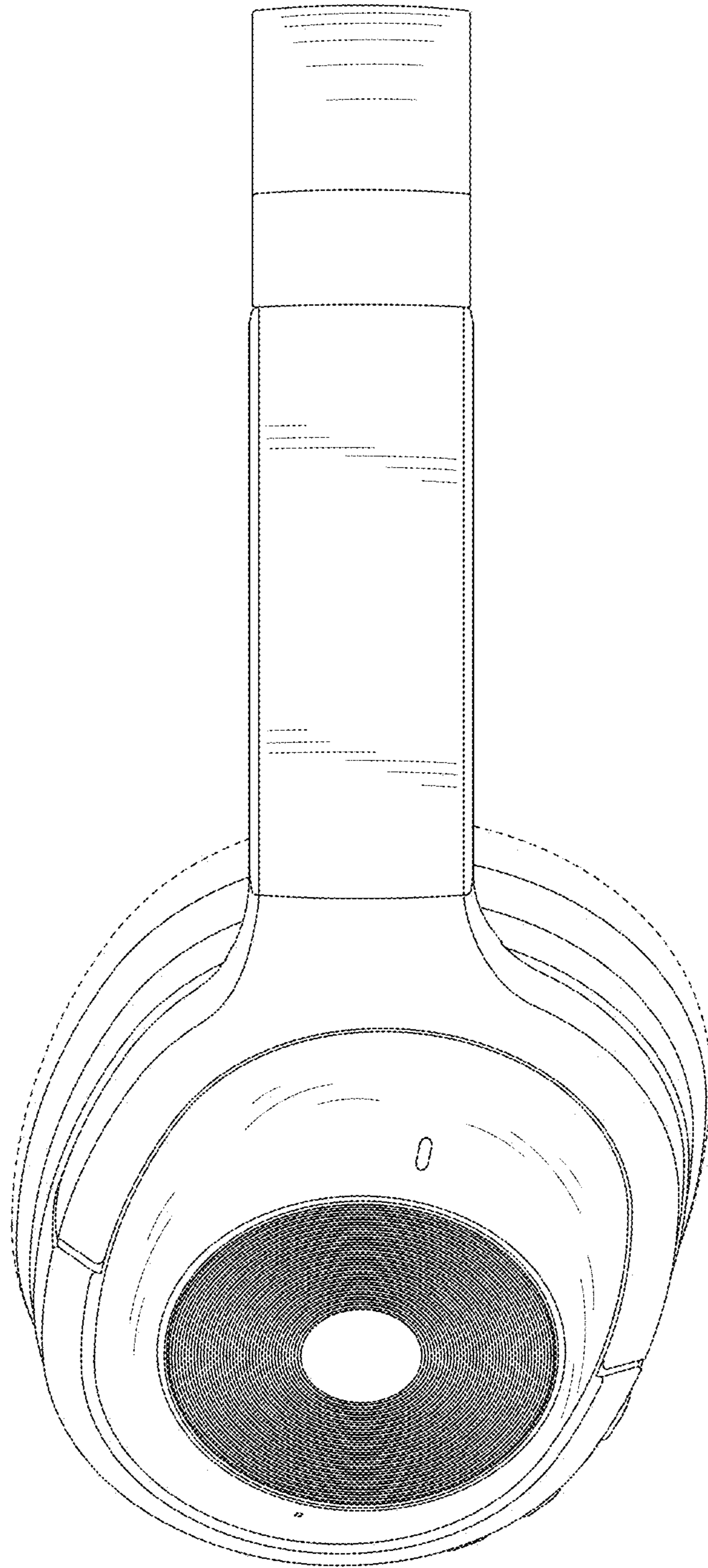


FIG. 5

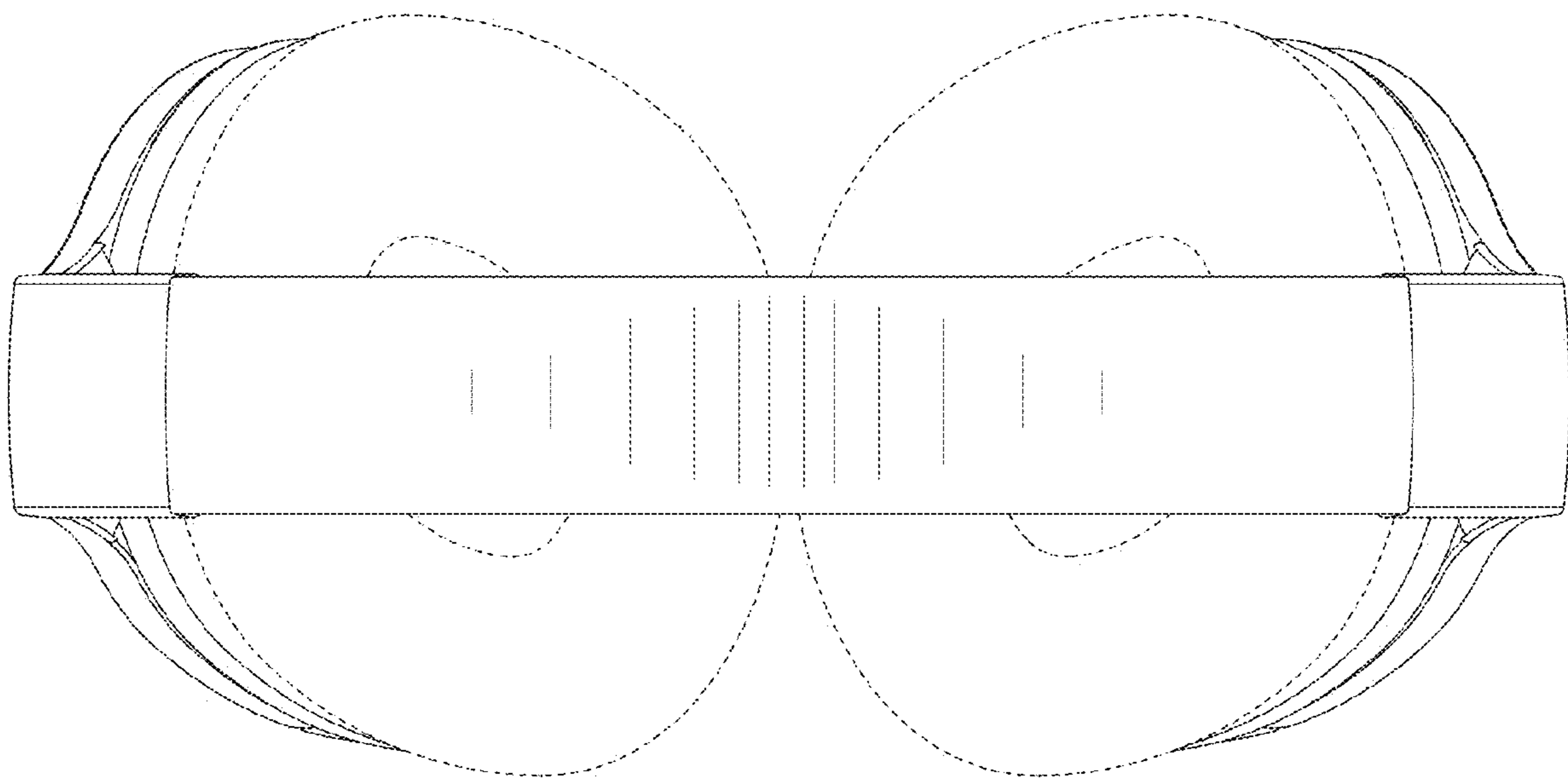


FIG. 6

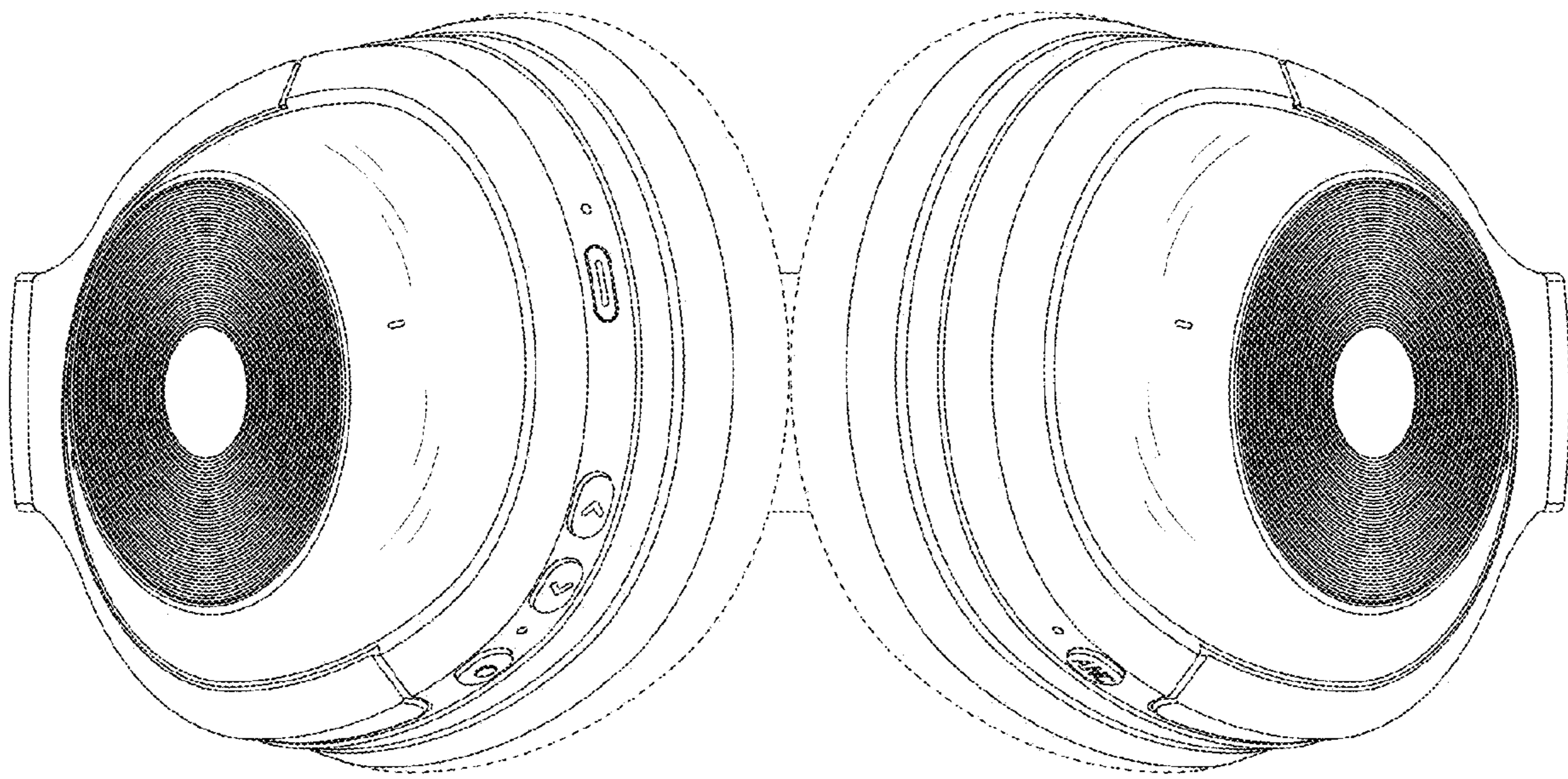


FIG. 7