



US00D917413S

(12) **United States Design Patent**
DeMaio

(10) **Patent No.:** **US D917,413 S**

(45) **Date of Patent:** **** Apr. 27, 2021**

(54) **VOICE ASSISTED DIGITAL INTERFACE DEVICE**

(71) Applicant: **PHINGE CORPORATION**, Sparks, NV (US)

(72) Inventor: **Robert Charles DeMaio**, Sparks, NV (US)

(**) Term: **15 Years**

(21) Appl. No.: **29/702,121**

(22) Filed: **Aug. 16, 2019**

(51) **LOC (13) Cl.** **14-03**

(52) **U.S. Cl.**
USPC **D14/171**; D14/496; D14/168; D10/2; D10/22

(58) **Field of Classification Search**

USPC D14/356, 357, 358, 216, 240, 242, 299, D14/125, 140, 140.1, 155, 168, 188, 195, D14/300, 302, 314, 348, 351, 388, 496, D14/142, 203.1, 204, 228, 230; D10/2, D10/3, 4, 5, 21, 22, 104.1, 106.1, 106.3, D10/106.5, 106.6, 116.1, 6.9, 121; D26/110, 106; D15/199; D13/162, 168
CPC ... H04W 88/08; H04W 88/085; H04W 88/00; H04W 88/005; H04W 88/02; H04W 88/12; H04W 88/14; H04W 88/16; H04W 88/18; H04W 4/00; H04M 2250/12; H04B 1/38; G06F 3/16; G06F 3/167
See application file for complete search history.

(56) **References Cited**

U.S. PATENT DOCUMENTS

D103,791 S * 3/1937 Rusch D10/22
D110,246 S * 6/1938 Guild D10/22
D130,316 S * 11/1941 Schulman D10/22
D145,576 S * 9/1946 Hallward D10/22
D158,929 S * 6/1950 Bruce D10/22
D160,434 S * 10/1950 Schlenker D10/22

D162,829 S * 4/1951 Hoeflich D14/168
D165,132 S * 11/1951 Bruce D10/22
D172,266 S * 5/1954 Bruce D10/22
D174,986 S * 6/1955 Fletcher D10/22
D187,608 S * 4/1960 Merrigan D10/22
D189,303 S * 11/1960 Florian D10/22
3,033,945 A * 5/1962 Villchur H04R 9/06
381/413
D215,466 S * 10/1969 Jones, Jr. D10/22
D219,648 S * 1/1971 Weaver D25/11
D239,958 S * 5/1976 Robert D99/35
D253,522 S * 11/1979 Rutenberg D10/22
D272,921 S * 3/1984 Kim D14/417
D286,399 S * 10/1986 Willy D14/222
D302,010 S * 7/1989 McLaughlin D14/417
D323,327 S * 1/1992 Davidson D14/219
D349,976 S * 8/1994 Connell D28/76
D357,234 S * 4/1995 Yoshihara D14/358

(Continued)

Primary Examiner — Marie D. Fast Horse

(74) *Attorney, Agent, or Firm* — Tatonetti IP

(57) **CLAIM**

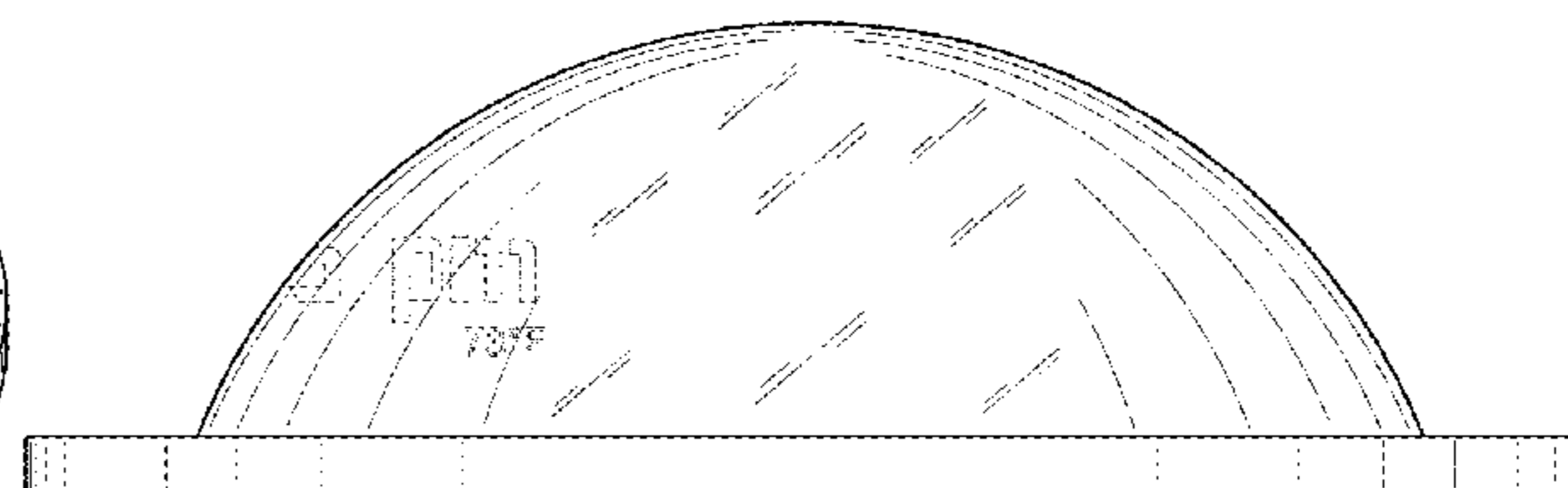
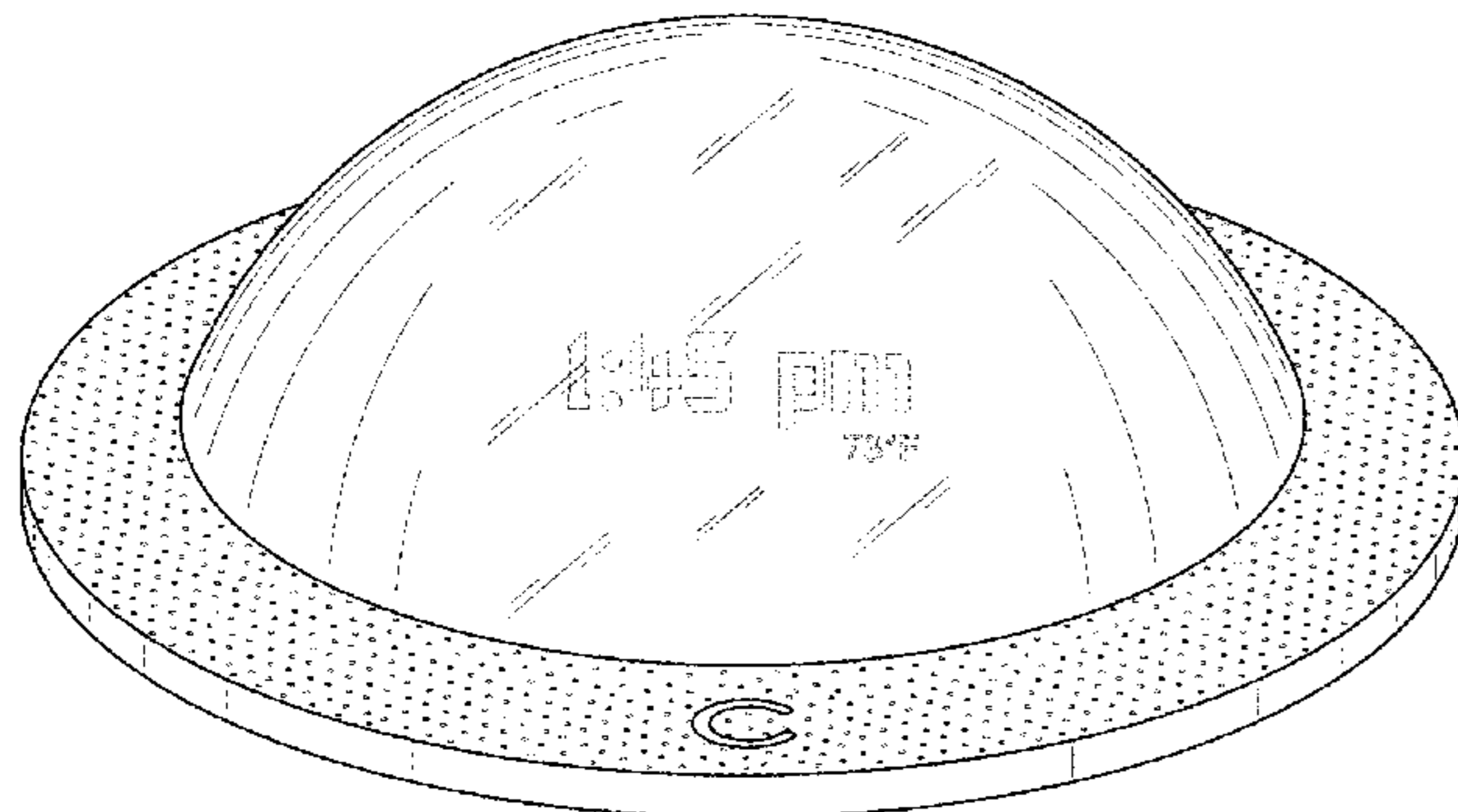
The ornamental design for a voice assisted digital interface device, as shown and described.

DESCRIPTION

FIG. 1 is a perspective view of a voice assisted digital interface device, showing my new design; FIG. 2 is a front elevation view thereof; FIG. 3 is a rear elevation view thereof; FIG. 4 is a left side elevation view thereof; FIG. 5 is a right side elevation view thereof; FIG. 6 is a top view thereof; and, FIG. 7 is a bottom view thereof.

The broken dot-dash lines showing the time depict an environmental state of use and form no part of the claimed design; while all other broken lines depict portions of the voice assisted digital interface device that form no part of the claimed design.

1 Claim, 7 Drawing Sheets



(56)

References Cited

U.S. PATENT DOCUMENTS

D368,721 S * 4/1996 Howell D14/240
 D377,485 S * 1/1997 Kaneko D14/417
 D382,261 S * 8/1997 Kaneko D14/417
 D392,900 S * 3/1998 Shields D10/22
 D396,852 S * 8/1998 Chao D14/358
 D397,374 S * 8/1998 Brooks D14/417
 D399,499 S * 10/1998 Kaneko D14/417
 D434,747 S * 12/2000 Bird D14/150
 D444,777 S * 7/2001 Bird D14/150
 D445,675 S * 7/2001 Richardson D28/8.1
 D446,447 S * 8/2001 Richardson D28/8.1
 D452,058 S * 12/2001 Munroe-Browne D99/5
 D468,216 S * 1/2003 Hsu D10/15
 D475,932 S * 6/2003 Li D10/12
 D552,607 S * 10/2007 Cleland D14/358
 D575,210 S * 8/2008 Johannsen D12/192
 D575,211 S * 8/2008 Wlotzka D12/192
 D575,712 S * 8/2008 Johannsen D12/192
 D598,898 S * 8/2009 Davidson D14/215
 D610,458 S * 2/2010 Martin D9/504
 D647,917 S * 11/2011 Voorhees D14/496

8,188,842 B2 * 5/2012 Otsuka H01H 19/005
 340/12.22
 D711,345 S * 8/2014 Liu D14/140
 D729,730 S * 5/2015 Gillespie-Brown D13/110
 D735,413 S * 7/2015 Smith D28/85
 D738,353 S * 9/2015 Slaato D14/216
 D755,162 S * 5/2016 He D14/216
 D766,877 S * 9/2016 Haase D14/215
 D795,936 S * 8/2017 Miller D15/199
 D804,533 S * 12/2017 Mangum D14/496
 D808,080 S * 1/2018 Corey D28/85
 D811,361 S * 2/2018 Peng D14/149
 D825,529 S * 8/2018 Huang D14/216
 D832,306 S * 10/2018 Liao D14/496
 D850,486 S * 6/2019 Anderson D14/496
 D852,229 S * 6/2019 Akana D14/496
 D860,257 S * 9/2019 Akana D14/496
 D863,356 S * 10/2019 Akana D14/496
 D874,008 S * 1/2020 Kotzer D14/225
 D883,329 S * 5/2020 Shi D14/496
 D891,725 S * 7/2020 Camarato D99/37
 D901,747 S * 11/2020 Lin D26/94
 D905,316 S * 12/2020 Bie D26/93

* cited by examiner

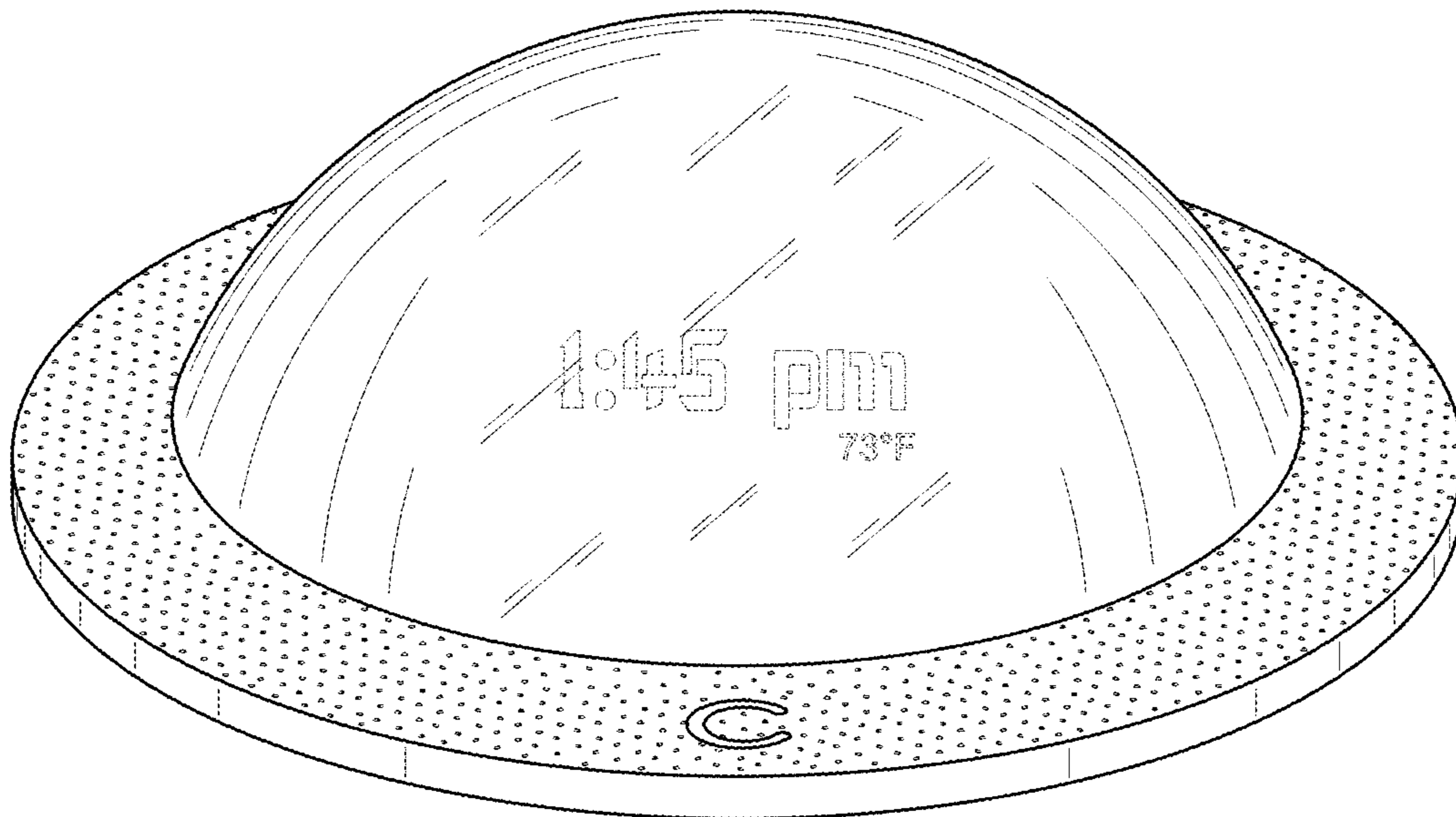


FIG. 1

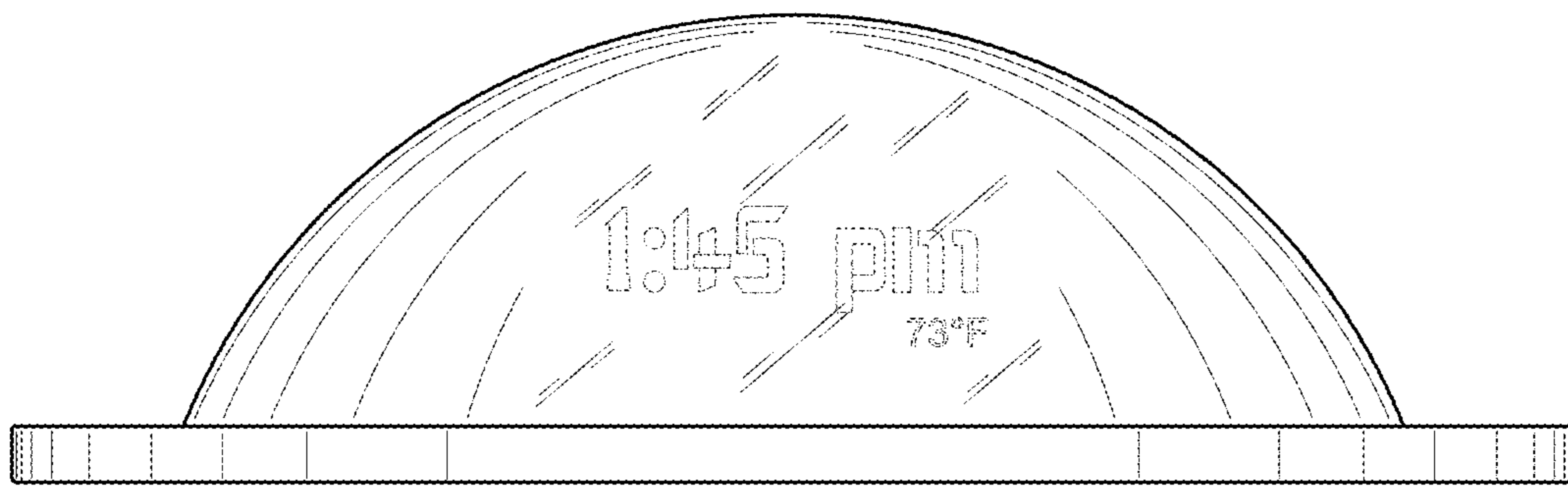


FIG. 2

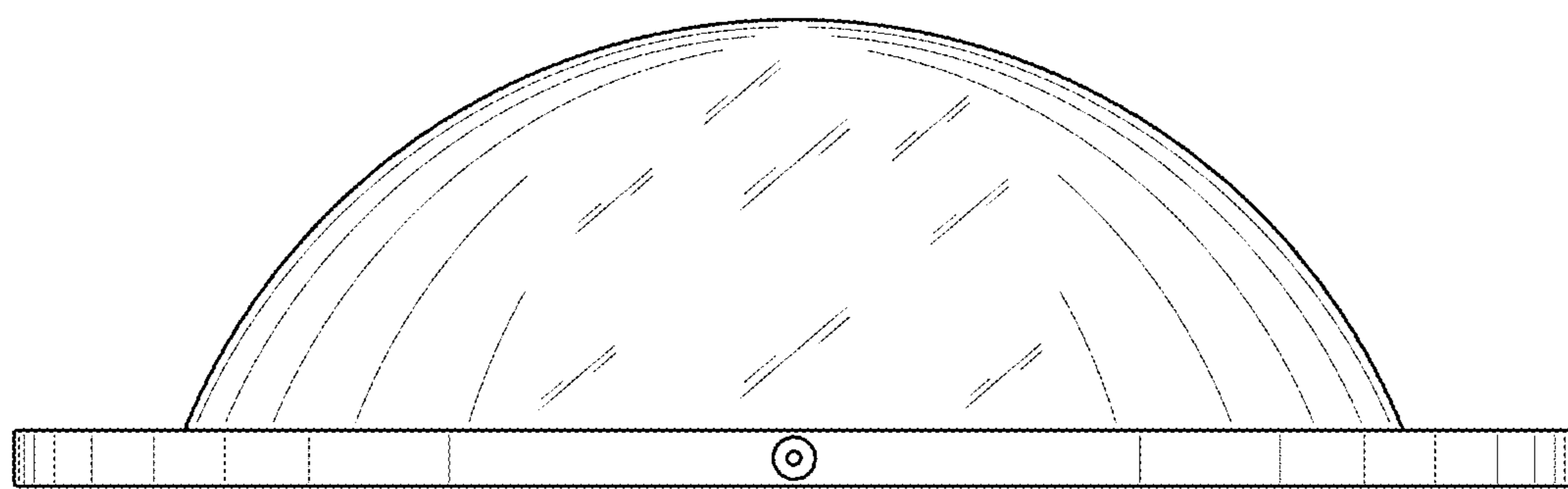


FIG. 3

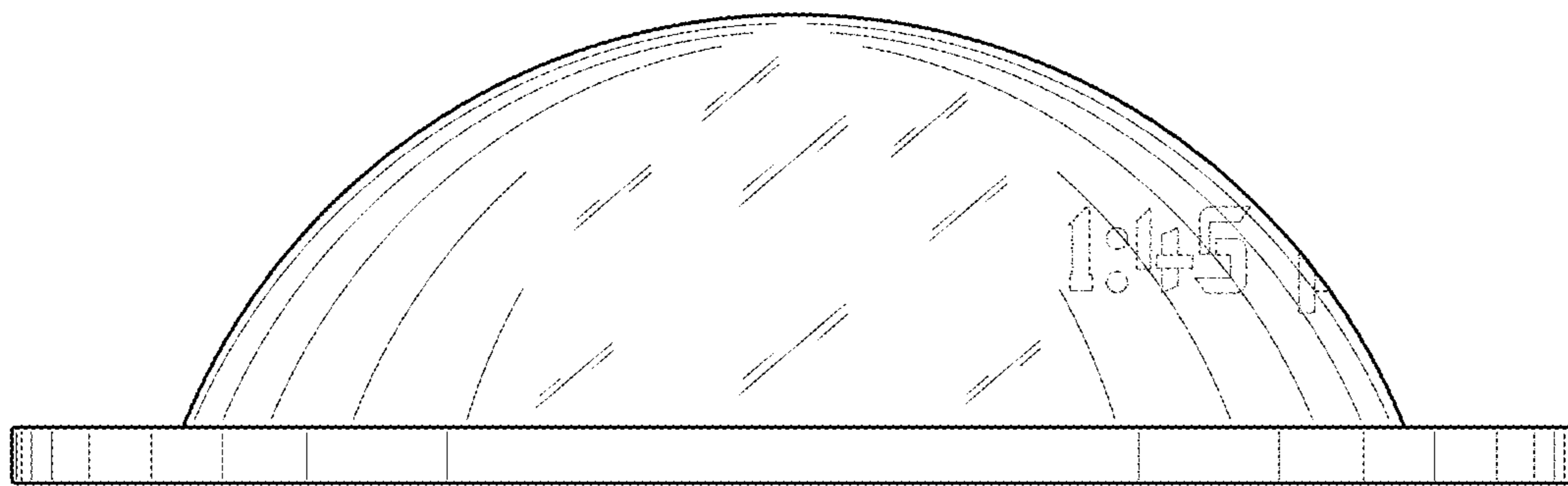


FIG. 4

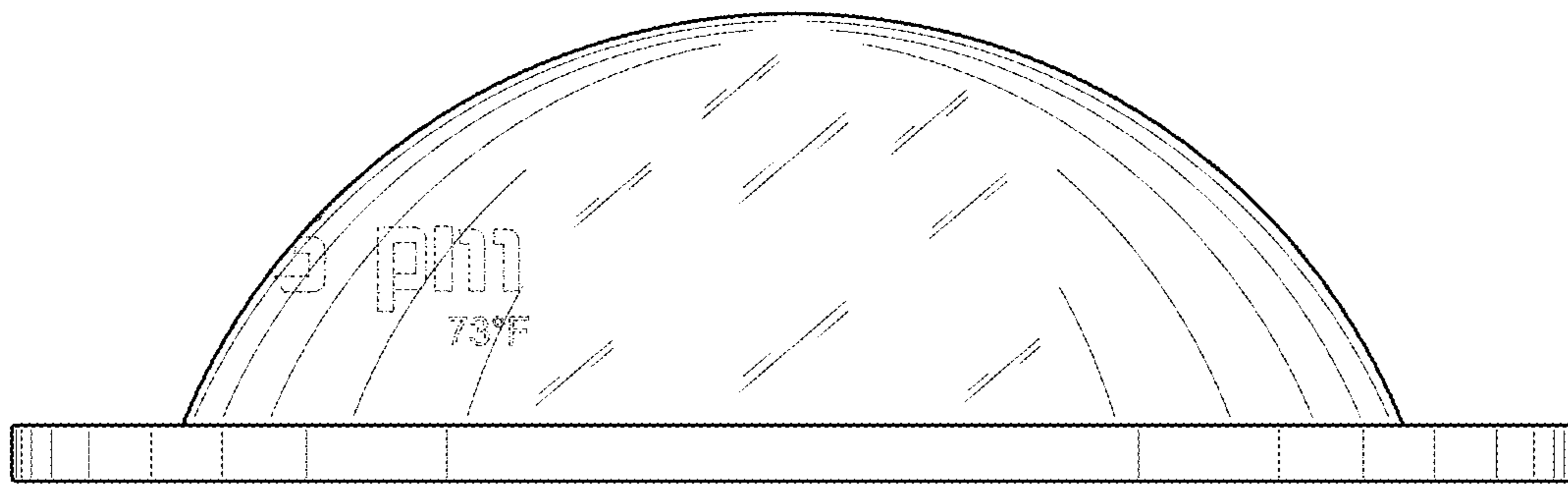


FIG. 5

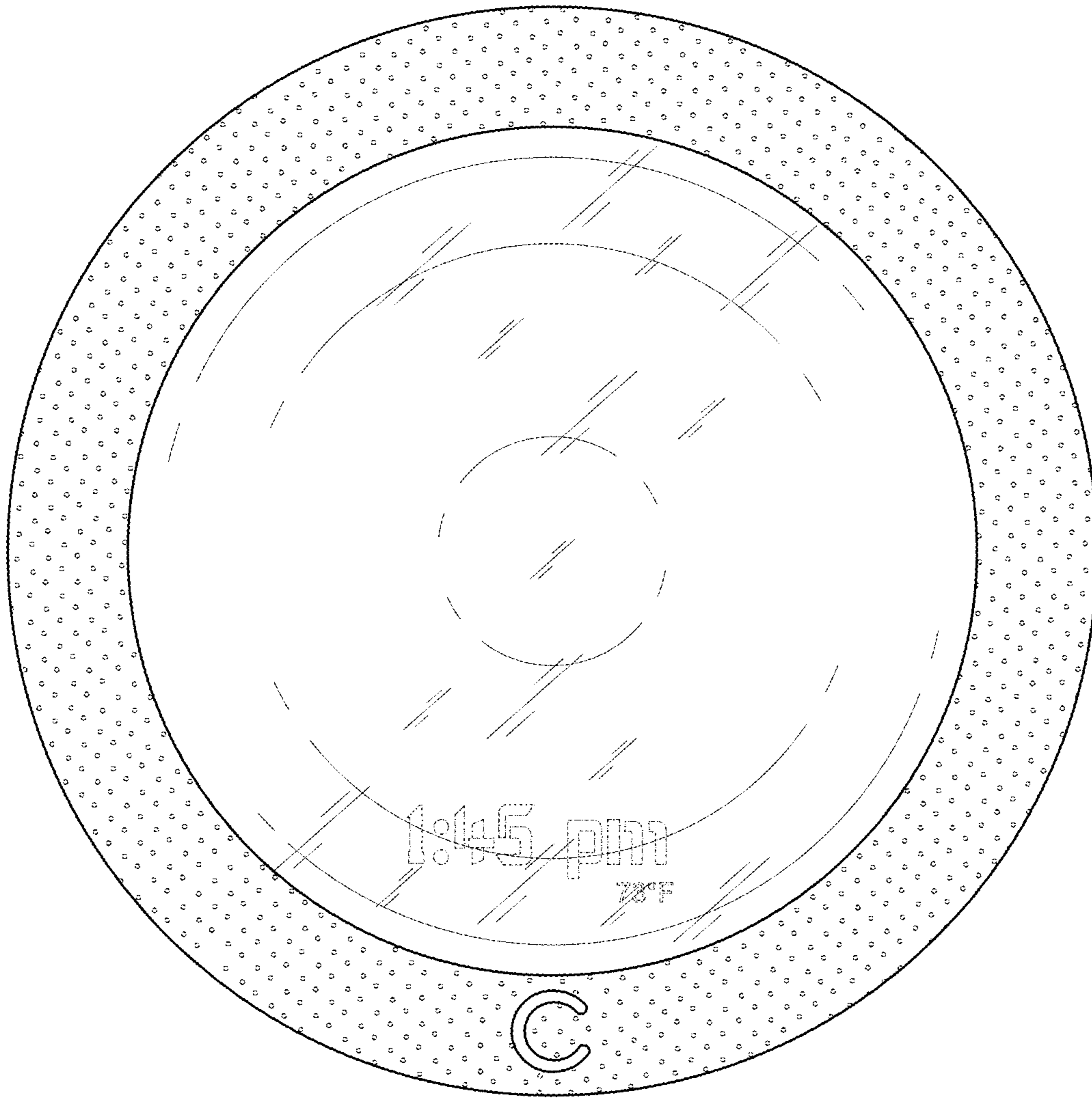


FIG. 6



FIG. 7