



US00D917411S

(12) **United States Design Patent**
Xiao

(10) **Patent No.:** **US D917,411 S**

(45) **Date of Patent:** **** Apr. 27, 2021**

(54) **INTERPHONE**

(71) Applicant: **Rundong Xiao, Yichun (CN)**

(72) Inventor: **Rundong Xiao, Yichun (CN)**

(**) Term: **15 Years**

(21) Appl. No.: **29/751,908**

(22) Filed: **Sep. 24, 2020**

(51) **LOC (13) Cl.** **14-03**

(52) **U.S. Cl.**
USPC **D14/137**

(58) **Field of Classification Search**
USPC D14/137, 138 R, 138 AA, 138 AD;
D10/104.1

CPC .. H04B 1/3833; H04B 1/3827; H04B 1/3855;
H04B 2001/3861; H04M 1/0202; H04M
1/03; H04M 1/035

See application file for complete search history.

(56) **References Cited**

U.S. PATENT DOCUMENTS

D416,252 S *	11/1999	Haase	D14/137
D422,585 S *	4/2000	Ng	D14/137
D540,764 S *	4/2007	Kaner	D14/137
D554,103 S	10/2007	Morikawa et al.		
D595,260 S	6/2009	Takahata		
D731,452 S *	6/2015	Yong	D14/137
D810,040 S *	2/2018	Nakagawa	D14/137

D816,632 S *	5/2018	Yamamoto	D14/137
10,013,863 B2 *	7/2018	Sekiyama	G08B 29/181
D842,830 S *	3/2019	Nishida	D14/137
D844,582 S	4/2019	Takahata		
D846,521 S *	4/2019	Nakagawa	D14/137
D879,062 S *	3/2020	Nishizawa	D14/137
D889,424 S *	7/2020	Chen	D14/137

* cited by examiner

Primary Examiner — Bridget L Eland

(57) **CLAIM**

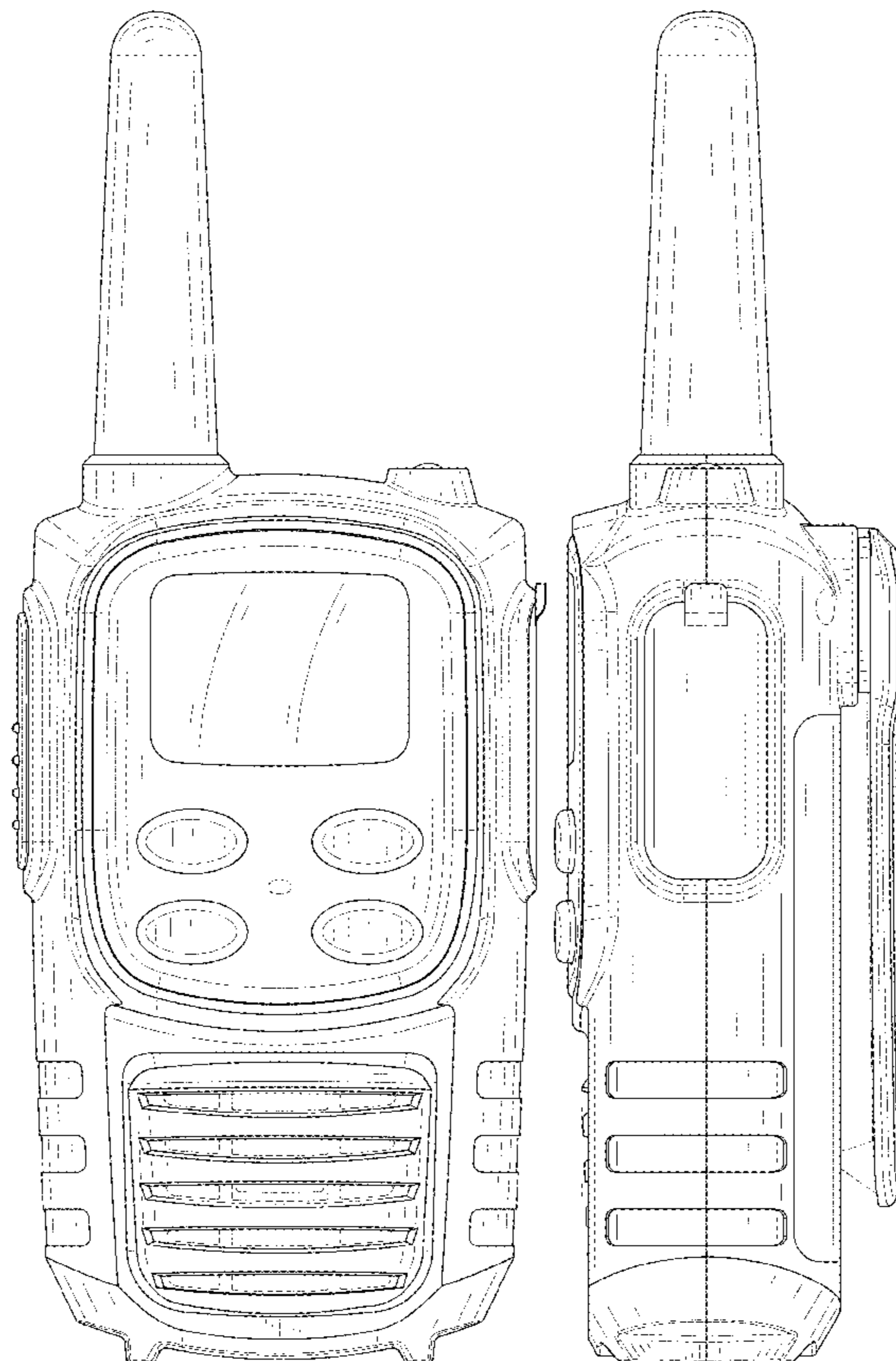
The ornamental design for an interphone, as shown and described.

DESCRIPTION

FIG. 1 is a first perspective view of an interphone showing my new design;
FIG. 2 is a second perspective view thereof;
FIG. 3 is a front view thereof;
FIG. 4 is a back view thereof;
FIG. 5 is a left side view thereof;
FIG. 6 is a right side view thereof;
FIG. 7 is a top view thereof; and,
FIG. 8 is a bottom view thereof.

The broken lines shown in the drawings, depict portions of the interphone in which the design is embodied that form no part of the claimed design.

1 Claim, 8 Drawing Sheets



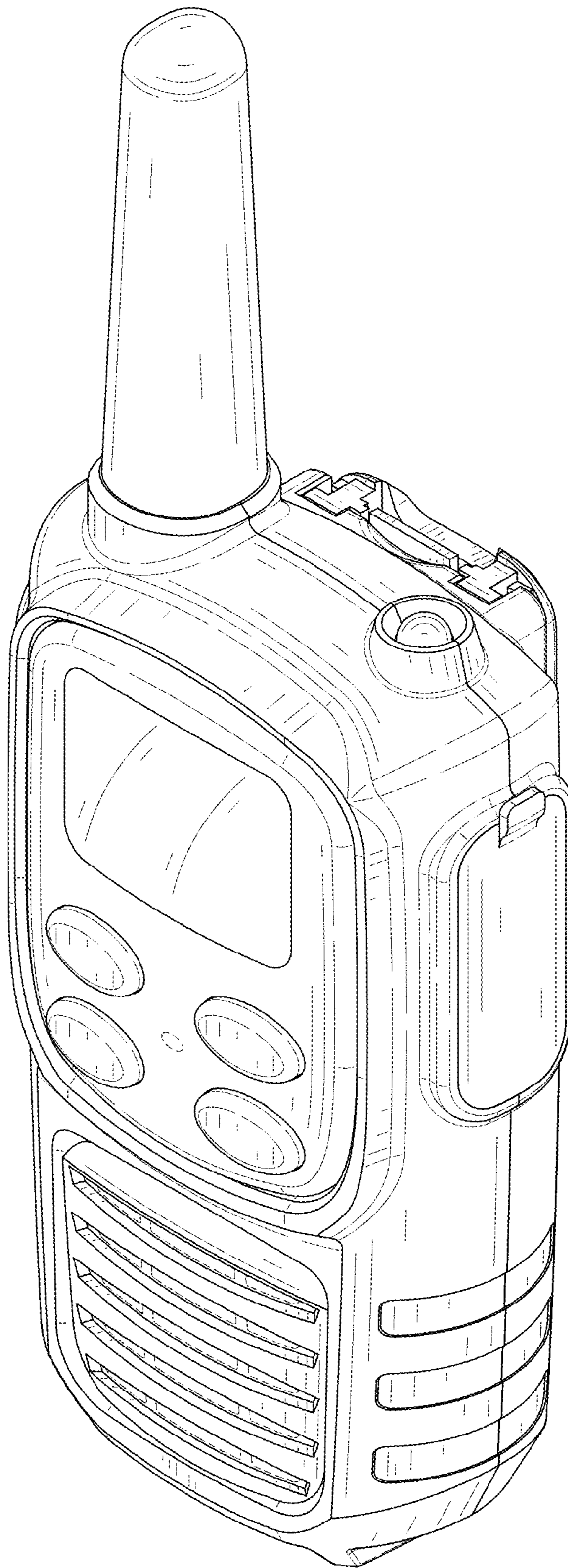


FIG. 1

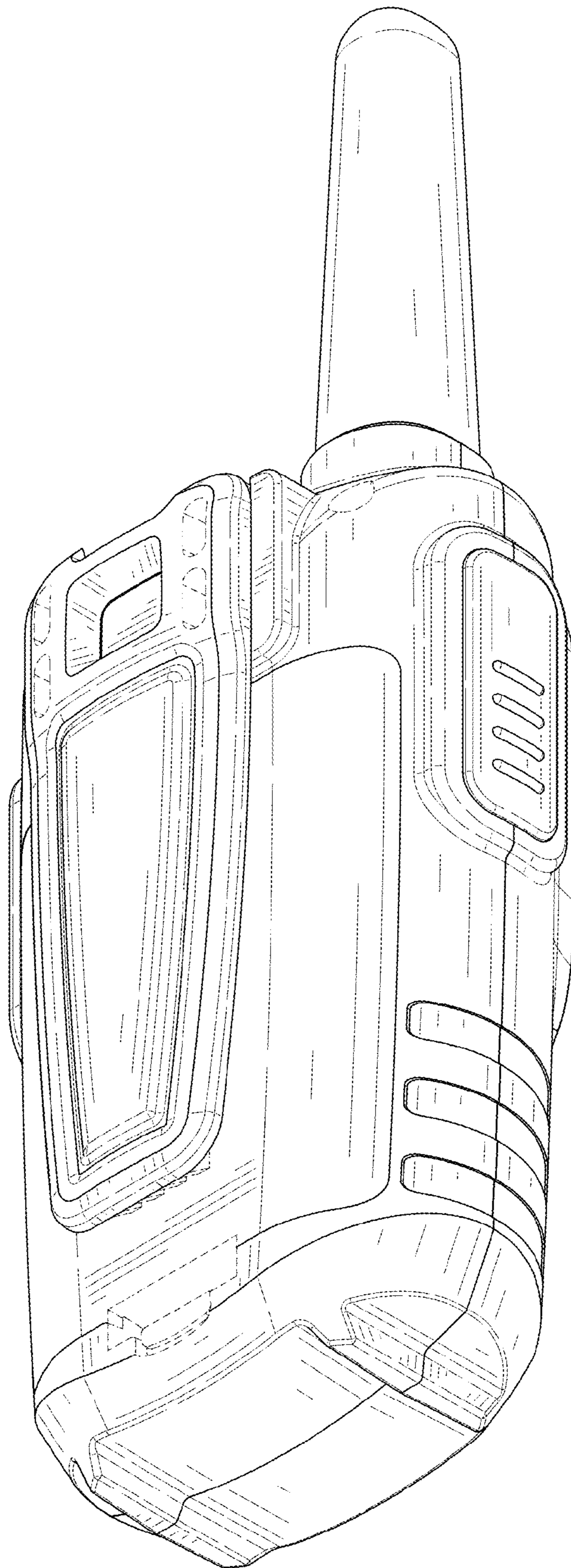


FIG. 2

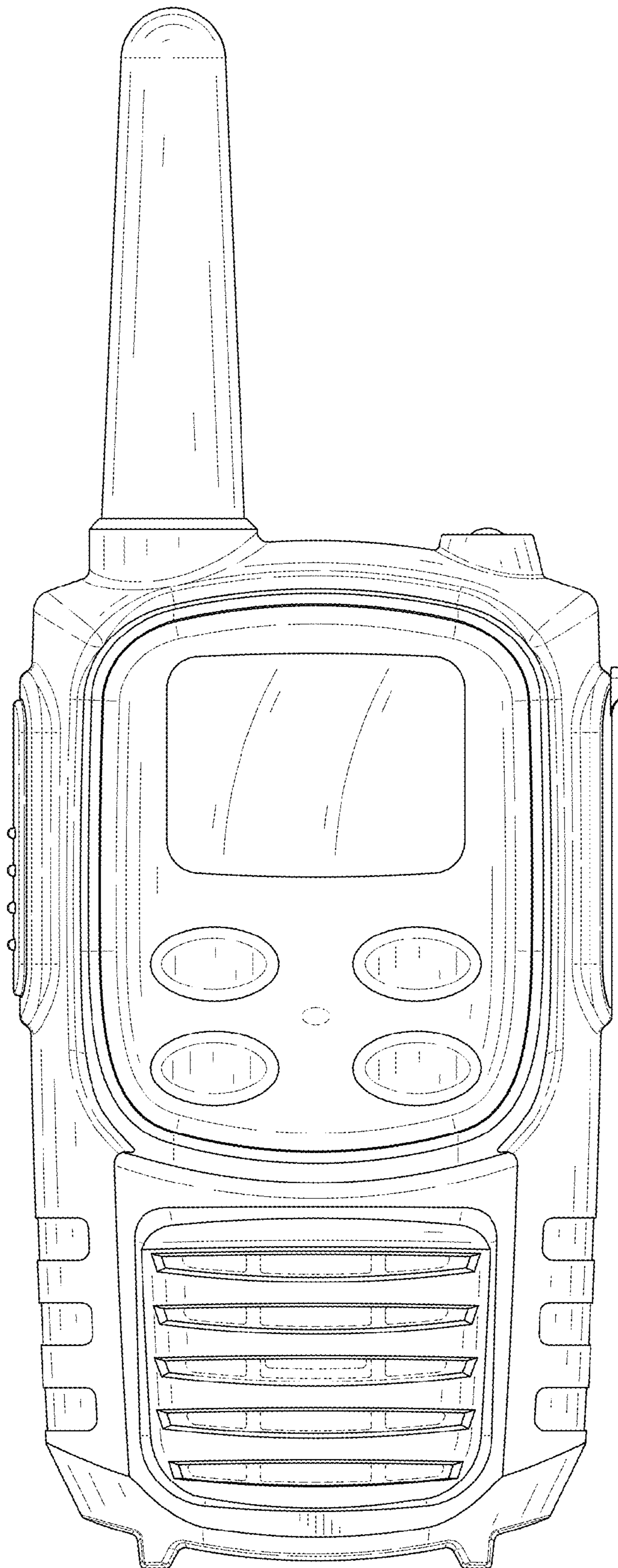


FIG. 3

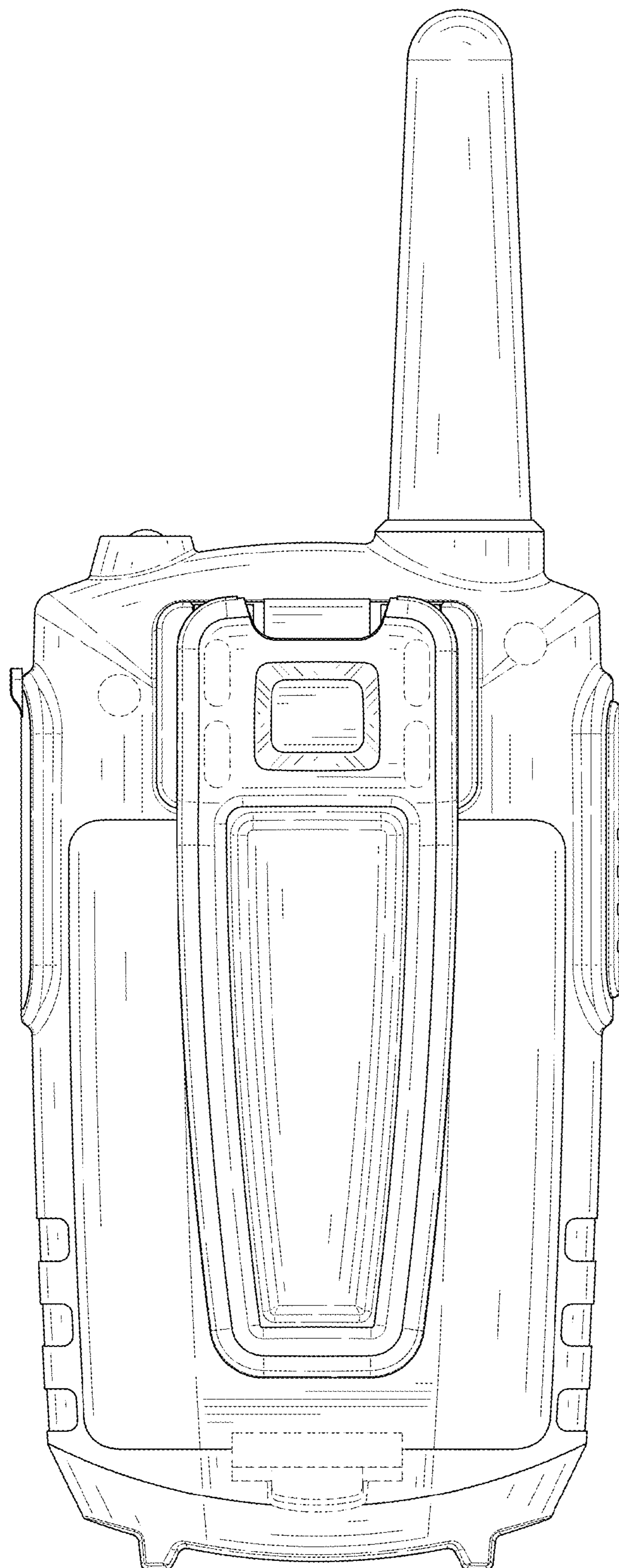


FIG. 4

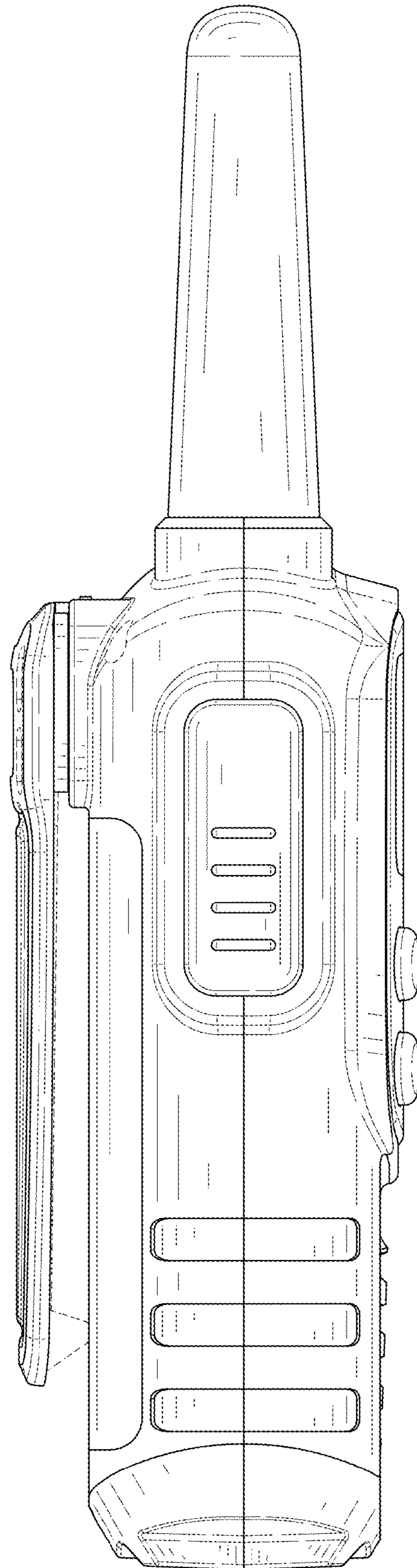


FIG. 5

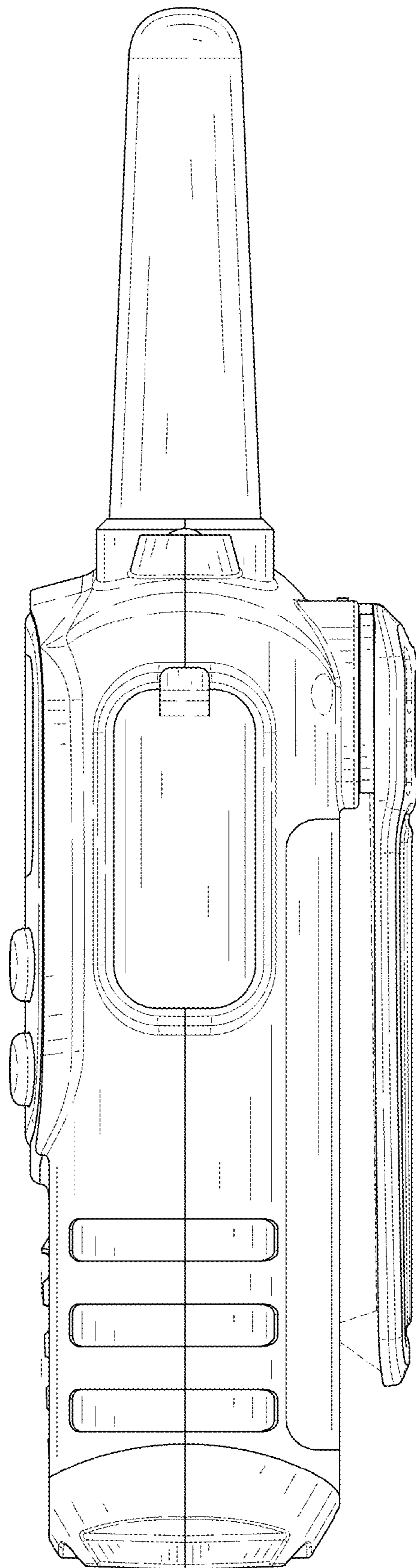


FIG. 6

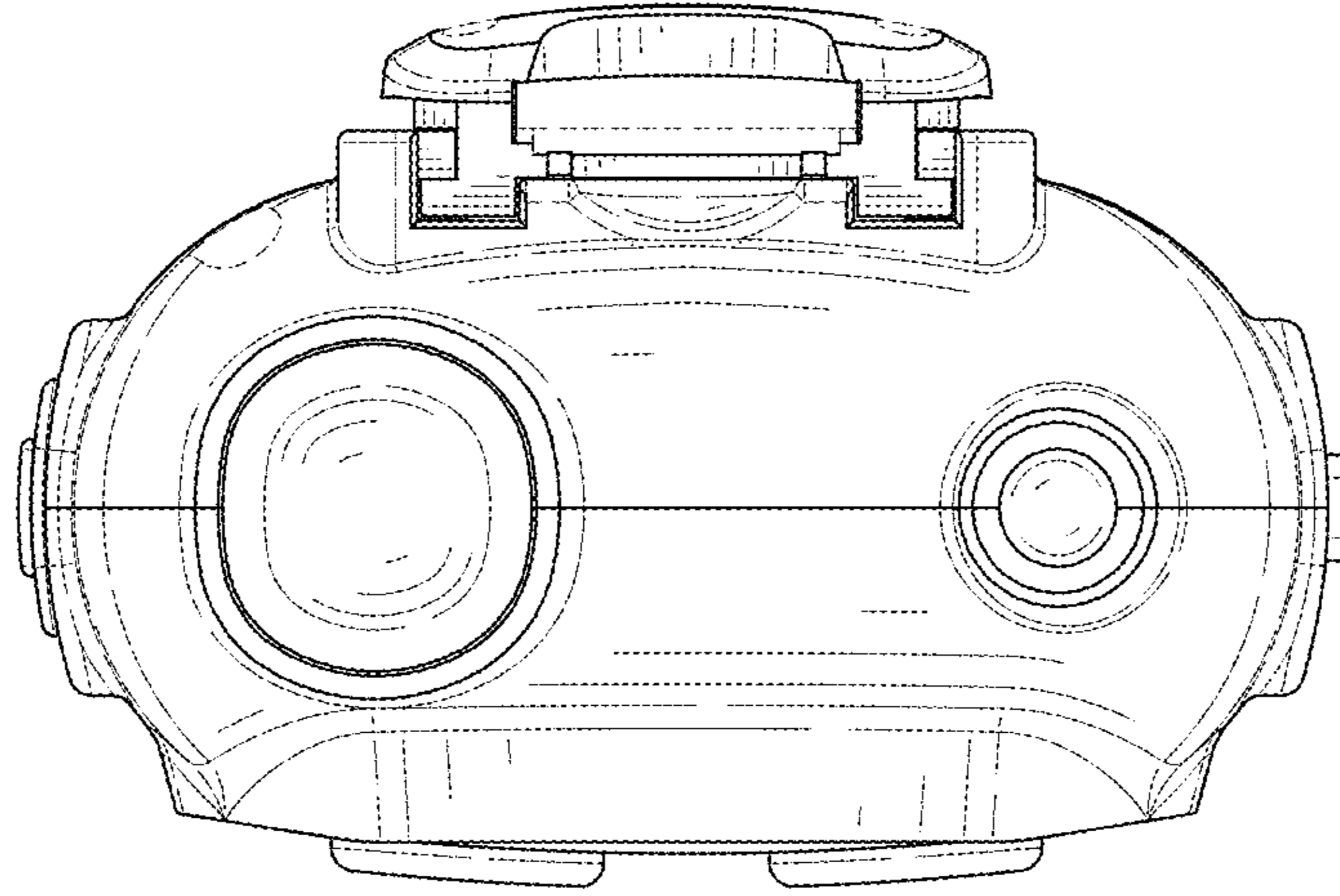


FIG. 7

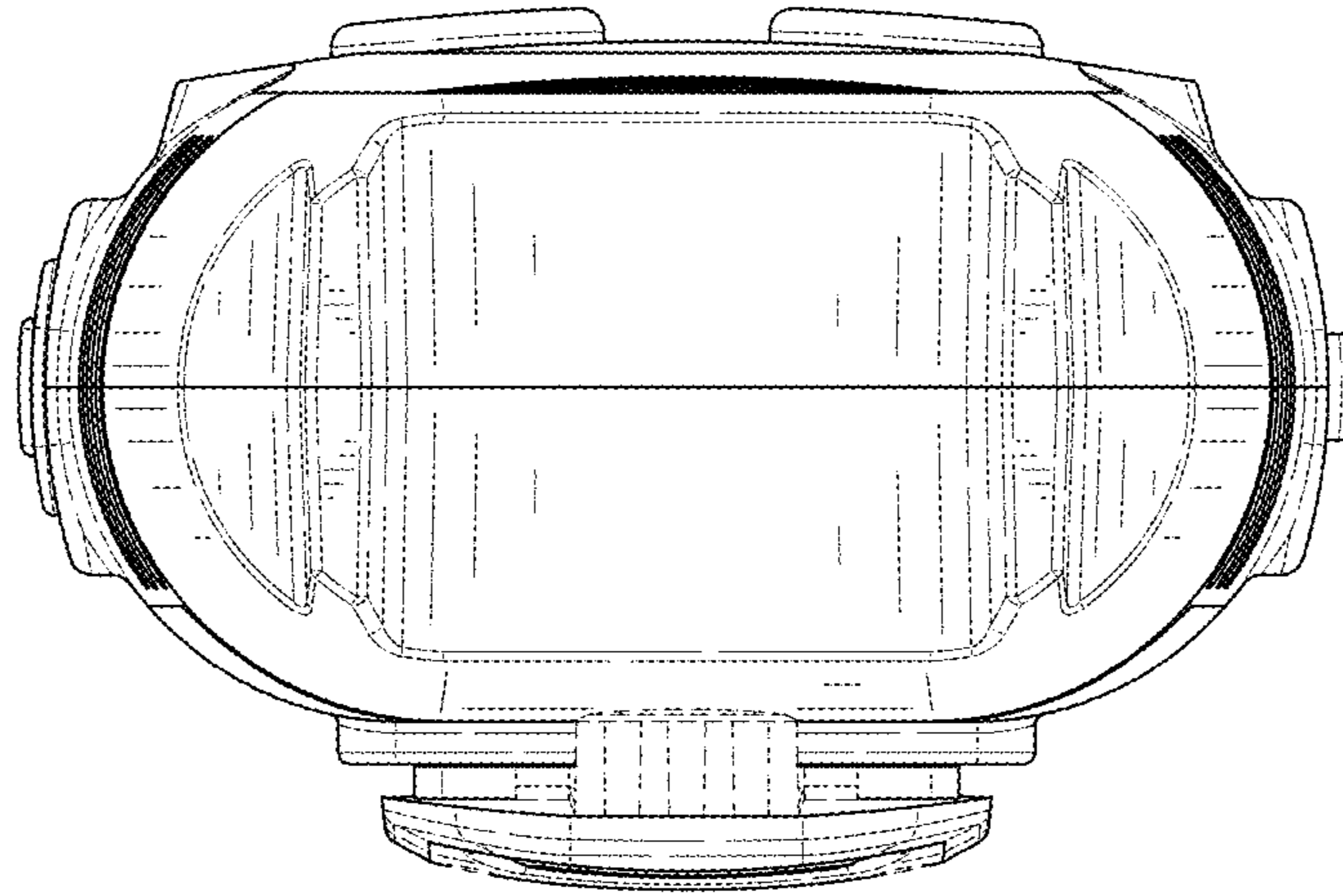


FIG. 8