



US00D917410S

(12) **United States Design Patent**  
**Suzuki et al.**

(10) **Patent No.:** **US D917,410 S**  
(45) **Date of Patent:** **\*\* Apr. 27, 2021**

(54) **PORTABLE WIRELESS COMMUNICATION DEVICE**

(71) Applicant: **JVCKENWOOD Corporation,**  
Yokohama (JP)

(72) Inventors: **Yasuhiro Suzuki,** Yokohama (JP);  
**Toyohito Yamamoto,** Yokohama (JP)

(73) Assignee: **JVCKENWOOD Corporation,**  
Yokohama (JP)

(\*\*) Term: **15 Years**

(21) Appl. No.: **29/701,831**

(22) Filed: **Aug. 15, 2019**

(30) **Foreign Application Priority Data**

Feb. 22, 2019 (JP) ..... 2019-003589

(51) **LOC (13) Cl.** ..... **14-03**

(52) **U.S. Cl.**  
USPC ..... **D14/137**

(58) **Field of Classification Search**  
USPC ..... D14/137, 138 R, 138 AA, 138 AD  
CPC .. H04B 1/3833; H04B 1/3827; H04B 1/3855;  
H04B 2001/3861; H04M 1/0202; H04M  
1/03; H04M 1/035  
See application file for complete search history.

(56) **References Cited**

**U.S. PATENT DOCUMENTS**

D607,855 S \* 1/2010 Nakagawa ..... D14/137  
D616,845 S \* 6/2010 Xia ..... D14/137

D651,997 S \* 1/2012 Oikawa ..... D14/137  
D663,277 S \* 7/2012 Yong ..... D14/137  
D713,809 S \* 9/2014 Sakata ..... D14/137  
D717,259 S \* 11/2014 Ooi ..... D14/137  
D721,050 S \* 1/2015 Kaner ..... D14/137  
D749,533 S \* 2/2016 Sakata ..... D14/137  
D752,537 S \* 3/2016 Oikawa ..... D14/137  
D754,088 S \* 4/2016 Ooi ..... D14/137  
D796,466 S \* 9/2017 Sakata ..... D14/137  
D878,316 S \* 3/2020 Duman ..... D14/137  
D892,071 S \* 8/2020 Zhang ..... D14/137  
2009/0197545 A1\* 8/2009 Gong ..... H04B 1/3833  
455/90.2

\* cited by examiner

*Primary Examiner* — Bridget L Eland

(74) *Attorney, Agent, or Firm* — Amin, Turocy & Watson,  
LLP

(57) **CLAIM**

The ornamental design for a portable wireless communication device, as shown and described.

**DESCRIPTION**

FIG. 1 is a front perspective view of a portable wireless communication device;  
FIG. 2 is a front elevational view thereof;  
FIG. 3 is a rear elevational view thereof;  
FIG. 4 is a top plan view thereof;  
FIG. 5 is a bottom plan view thereof;  
FIG. 6 is a left side elevational view thereof; and,  
FIG. 7 is a right side elevational view thereof.  
The broken lines in the drawings are for the purpose of illustrating portions of the portable wireless communication device that form no part of the claimed design.

**1 Claim, 4 Drawing Sheets**

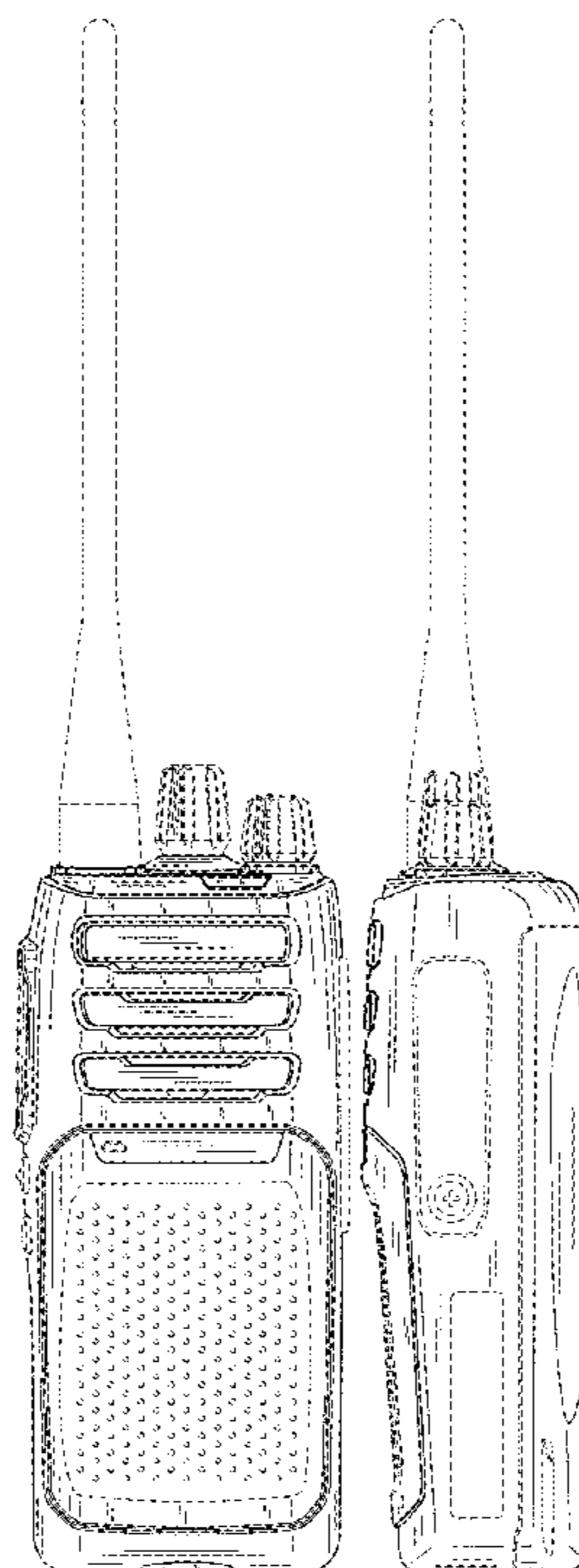


Fig. 1

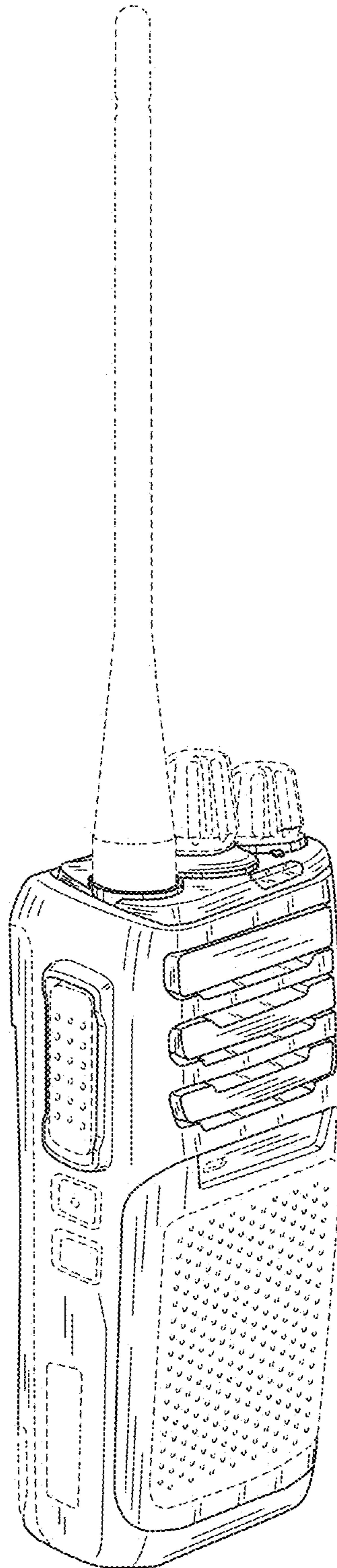


Fig.2

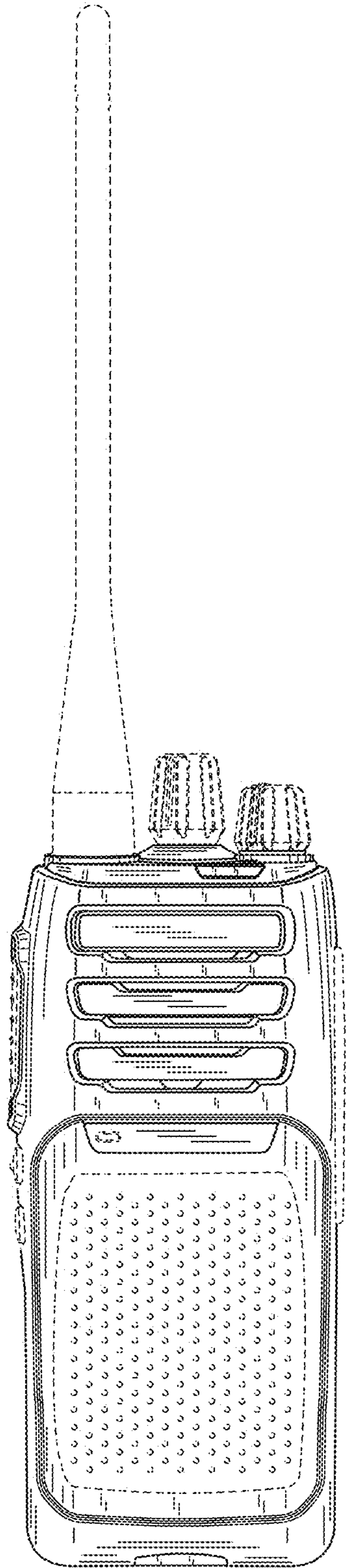


Fig.3

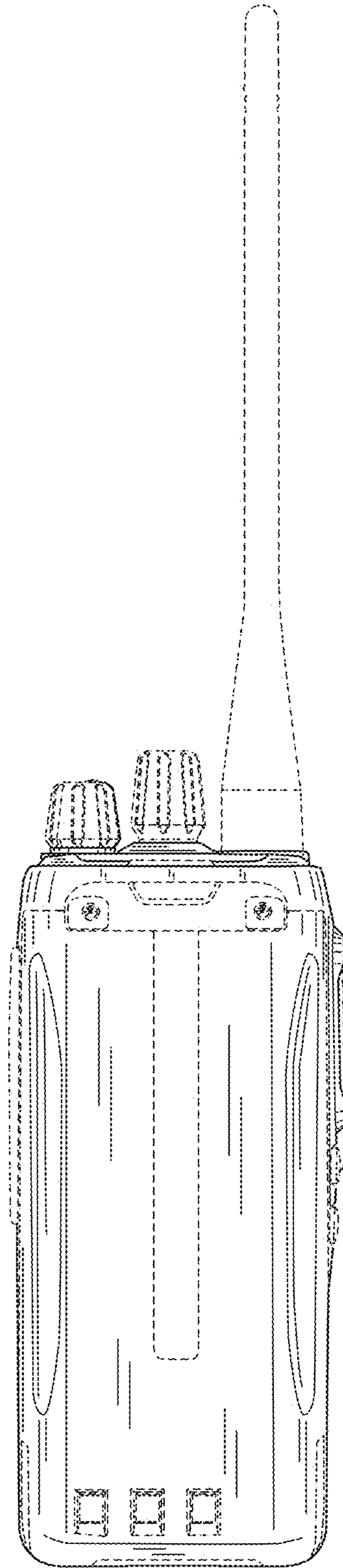


Fig.4

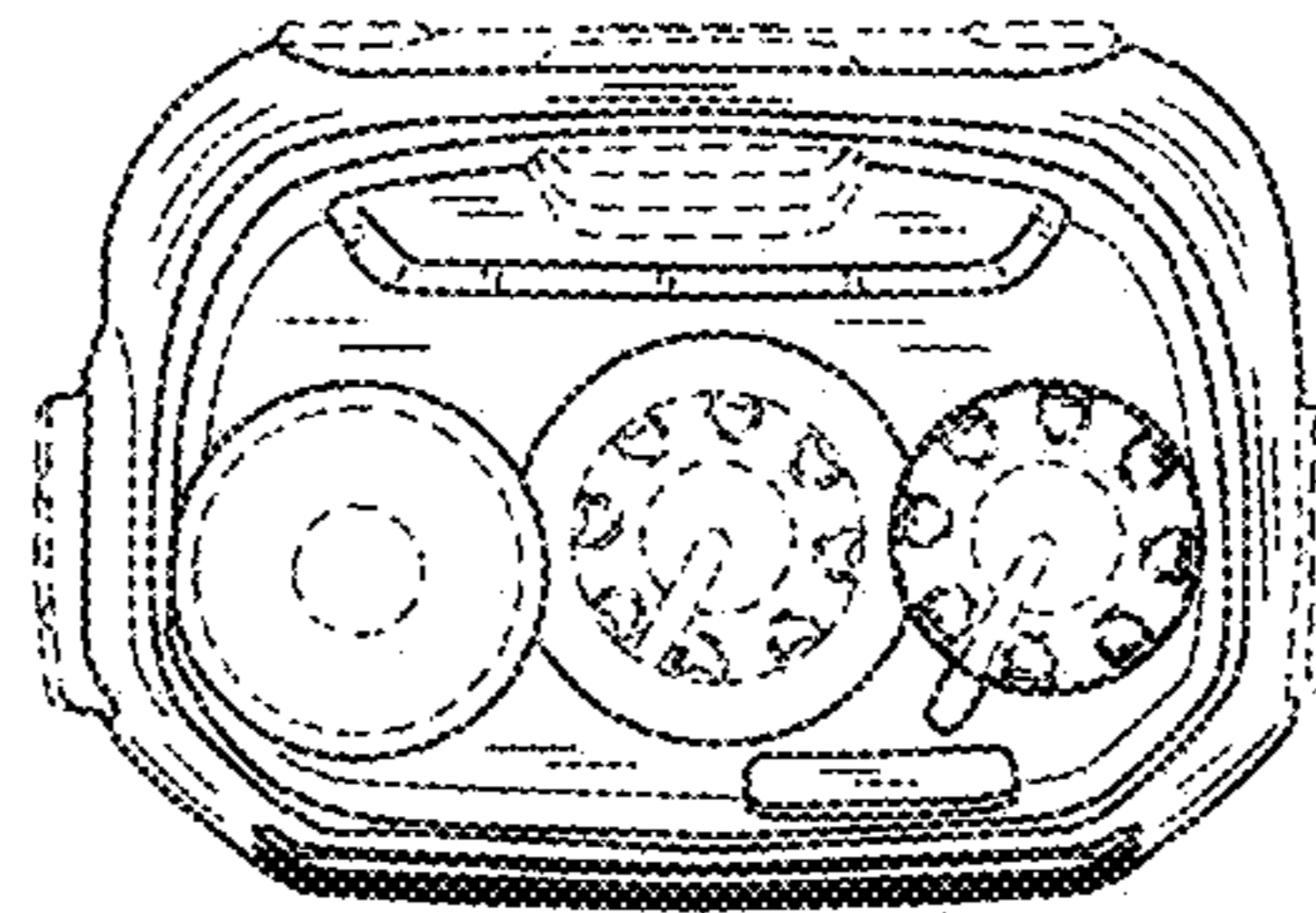


Fig.5

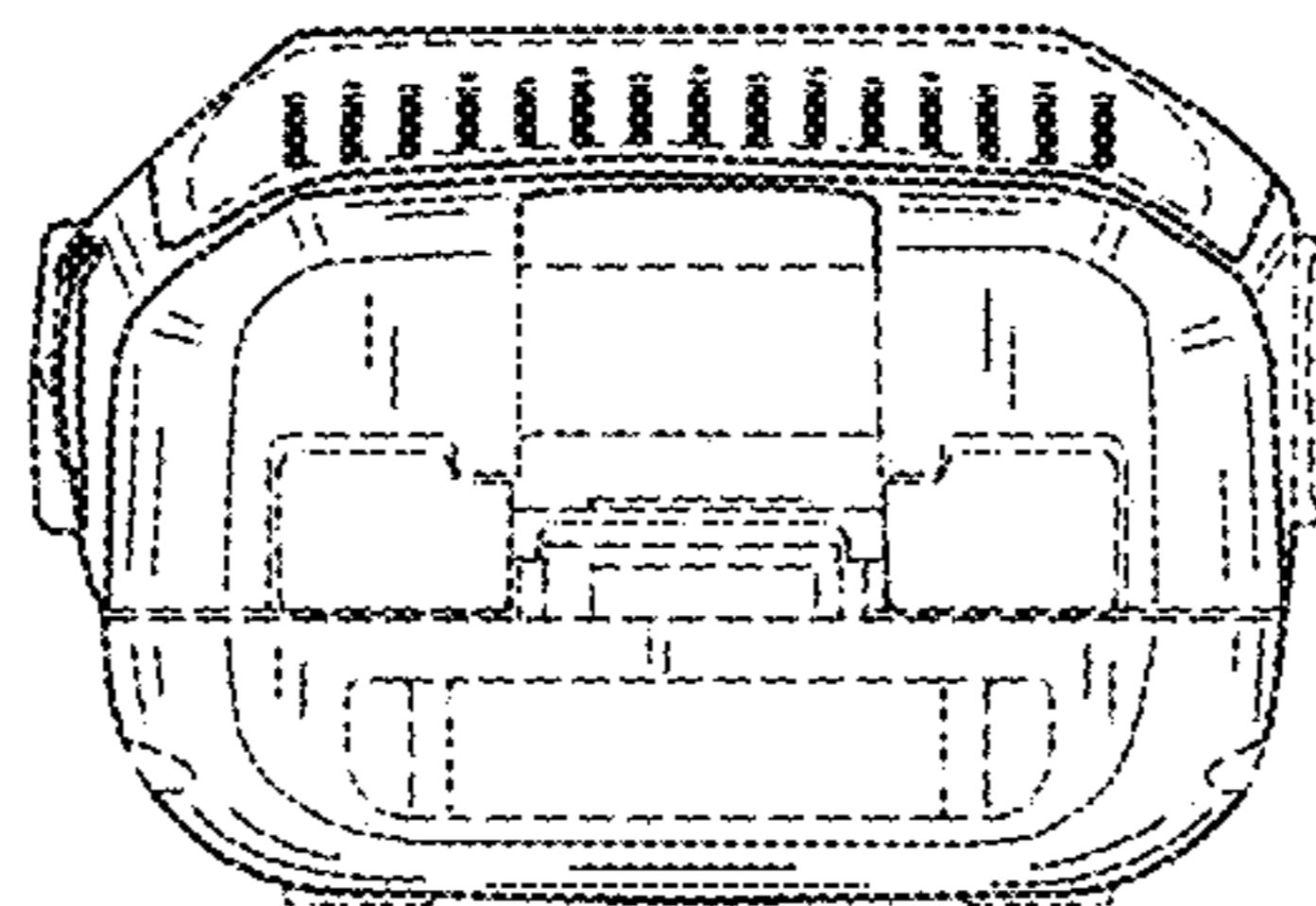


Fig.6

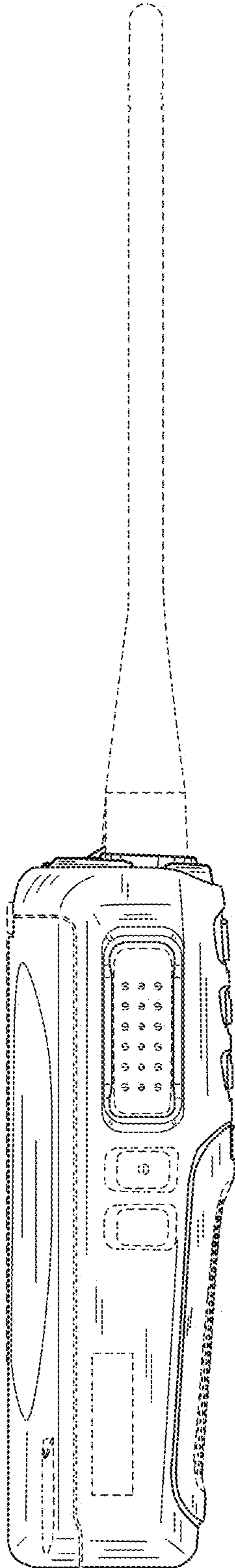


Fig.7

