



US00D917404S

(12) **United States Design Patent** (10) **Patent No.:** **US D917,404 S**
Xu (45) **Date of Patent:** **** Apr. 27, 2021**

(54) **LAMP CONTROLLER**

(71) Applicant: **SHENZHEN SKYQ TECHNOLOGY CO., LTD**, Shenzhen (CN)

(72) Inventor: **Min Xu**, Shenzhen (CN)

(73) Assignee: **SHENZHEN SKYQ TECHNOLOGY CO., LTD**, Shenzhen (CN)

(**) Term: **15 Years**

(21) Appl. No.: **29/751,665**

(22) Filed: **Sep. 23, 2020**

(51) **LOC (13) Cl.** **14-03**

(52) **U.S. Cl.**
USPC **D13/168**

(58) **Field of Classification Search**
USPC D13/137.3, 138.1, 153, 168; D14/155, D14/205, 208, 217, 218, 223, 240, 356, D14/358, 388, 225, 255, 433
CPC G08C 17/02; G08C 19/28; G08C 23/04; G05B 11/01; H04B 1/202; H05B 45/00; H05B 47/10; H05B 47/19; H03J 9/00; H03J 9/02; H03J 9/04; H03J 9/06; H03J 1/0025; H01H 9/0228; H01H 9/0235; F21S 4/00; F21S 4/10; F21S 4/28
See application file for complete search history.

(56) **References Cited**

U.S. PATENT DOCUMENTS

D344,524 S *	2/1994	Taniguchi	D14/205
D569,813 S *	5/2008	Charleux	D13/168
D611,914 S *	3/2010	Chiang	D13/164
D624,058 S *	9/2010	Kolton	D14/225
D633,447 S *	3/2011	Schaal	D13/168

D685,750 S *	7/2013	Nakagawa	D13/168
D710,828 S *	8/2014	Liu	D14/218
D747,293 S *	1/2016	Mistry	D14/218
D770,421 S *	11/2016	Pettersen	D14/218
D793,995 S *	8/2017	Nakagawa	D14/218
D805,482 S *	12/2017	McRoberts	D13/168
D811,351 S *	2/2018	O'Connell	D13/168
D822,643 S *	7/2018	Chen	D14/218
D839,849 S *	2/2019	Li	D14/192
D840,954 S *	2/2019	Wu	
D862,421 S *	10/2019	Arimoto	D14/218
D867,335 S *	11/2019	Lee	D14/218
D892,064 S *	8/2020	Tang	
D895,569 S *	9/2020	Roberts	D14/205
D900,789 S *	11/2020	Chen	D14/218
D909,336 S *	2/2021	Adams	D14/205
D911,295 S *	2/2021	Chen	D13/168
2008/0276453 A1 *	11/2008	Sample	H01H 9/0214 29/825

* cited by examiner

Primary Examiner — Selina Sikder

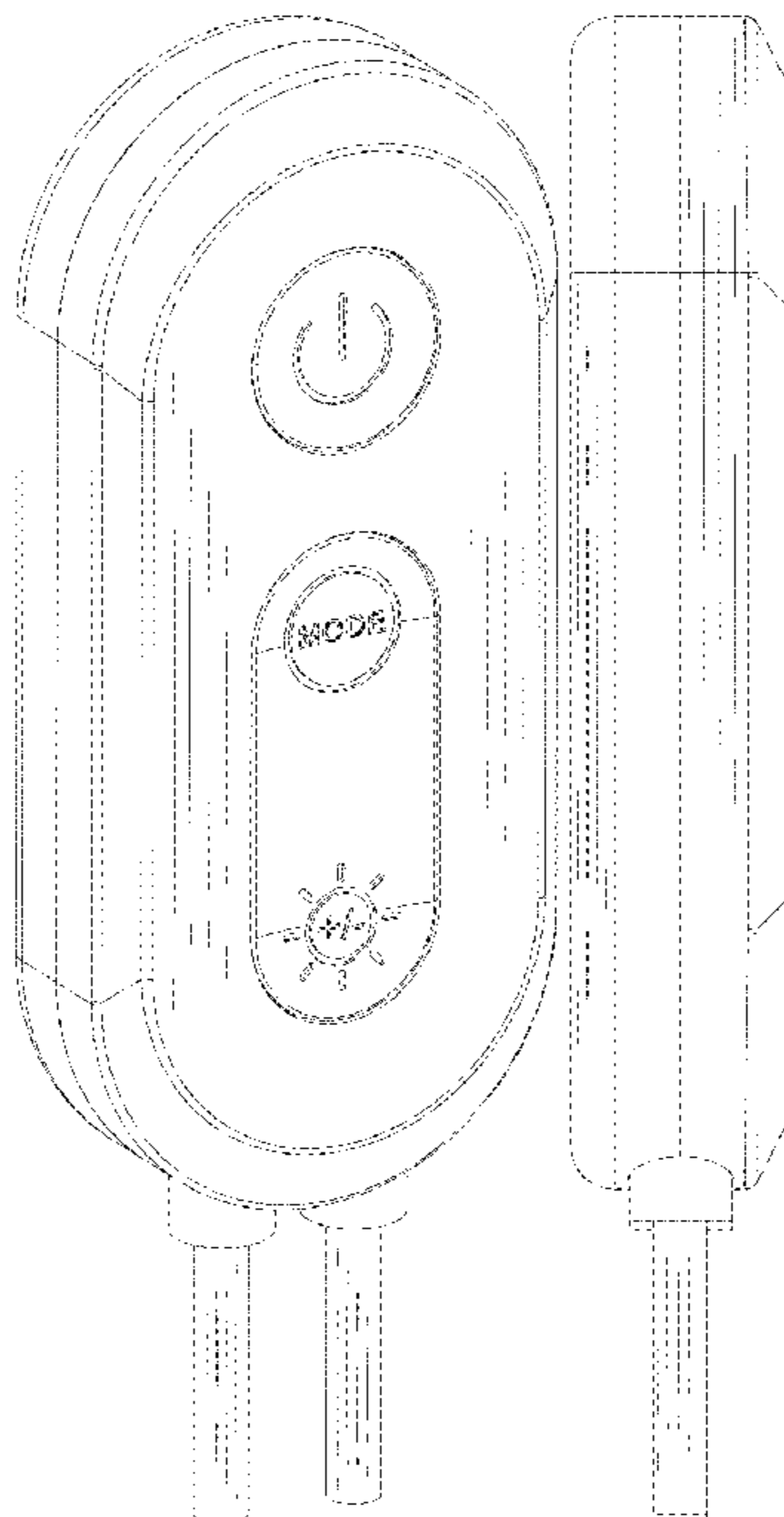
(57) **CLAIM**

The ornamental design for a lamp controller, as shown and described.

DESCRIPTION

FIG. 1 is a perspective view of a lamp controller showing my new design;
FIG. 2 is another perspective view thereof;
FIG. 3 is a front elevational view thereof;
FIG. 4 is a rear elevational view thereof;
FIG. 5 is a left side elevational view thereof;
FIG. 6 is a right side elevational view thereof;
FIG. 7 is a top plan view thereof; and,
FIG. 8 is a bottom plan view thereof.

1 Claim, 8 Drawing Sheets



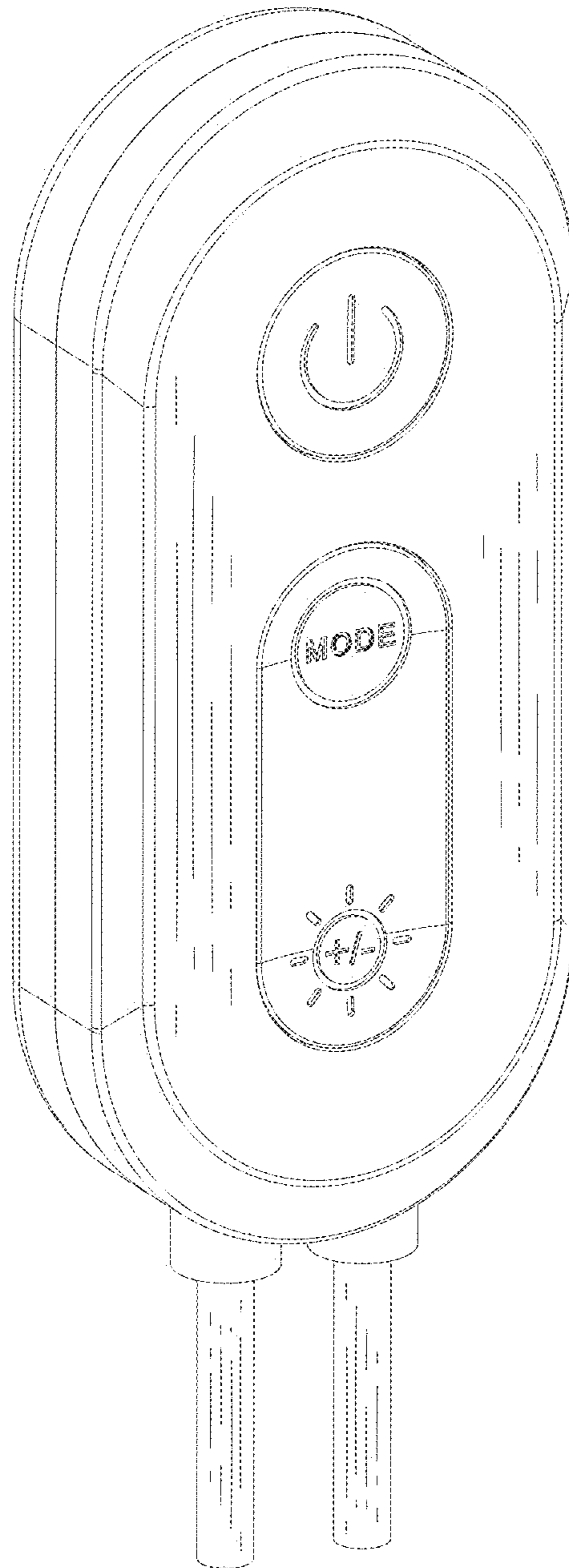


FIG. 1



FIG. 2

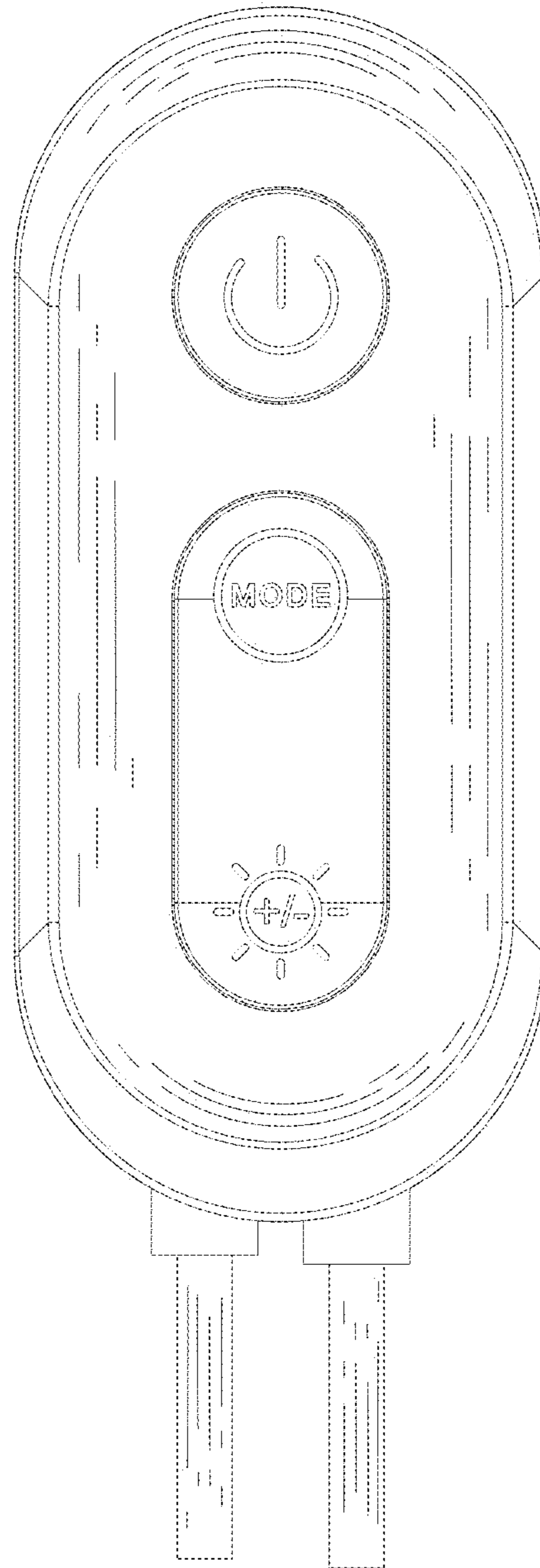


FIG. 3

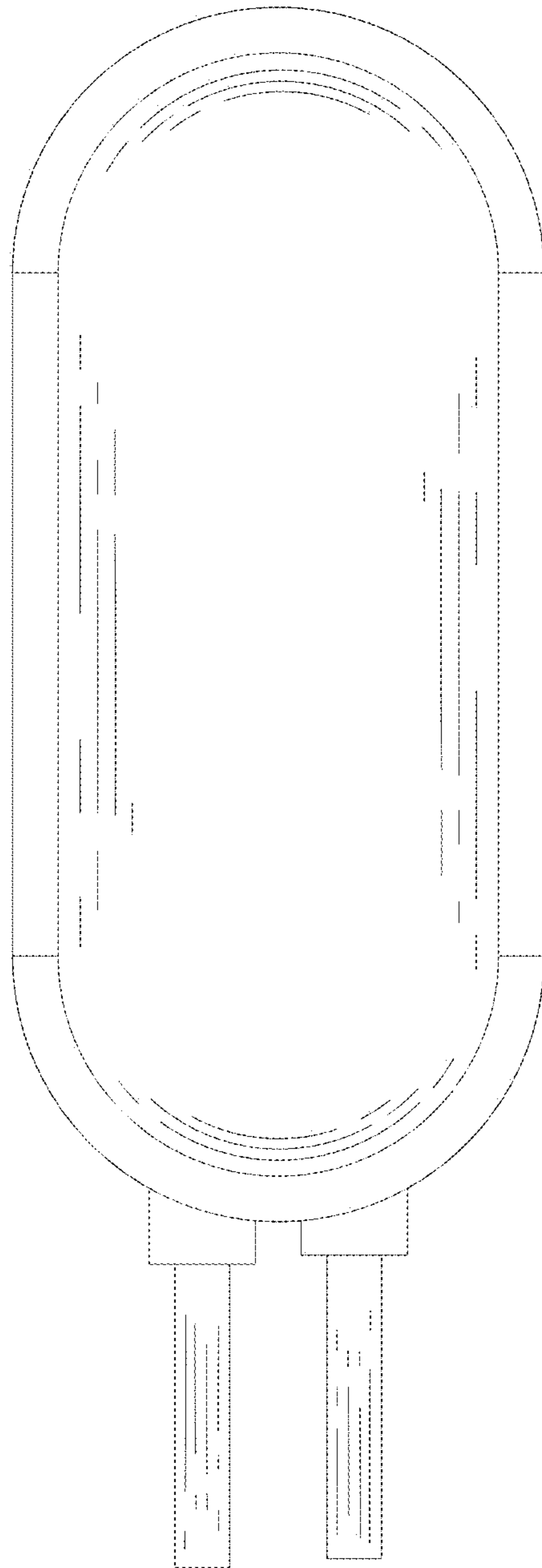


FIG. 4

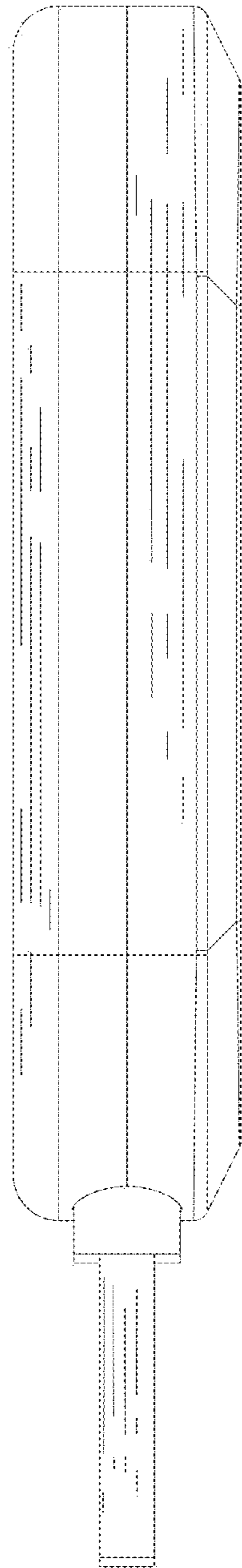


FIG. 5

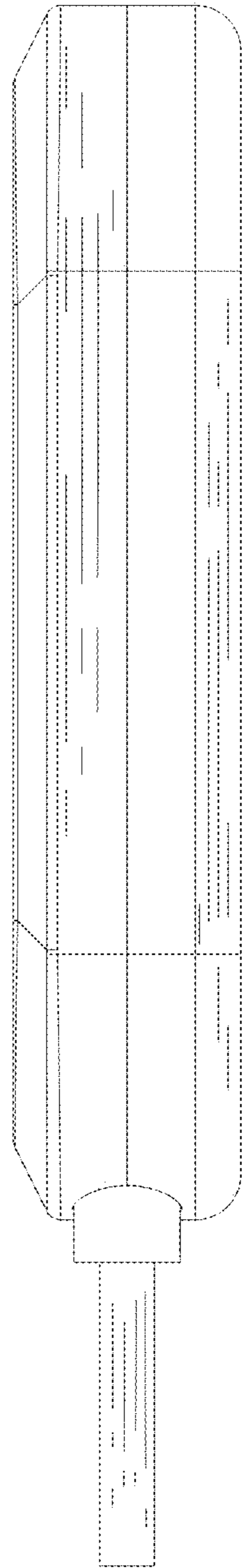


FIG. 6

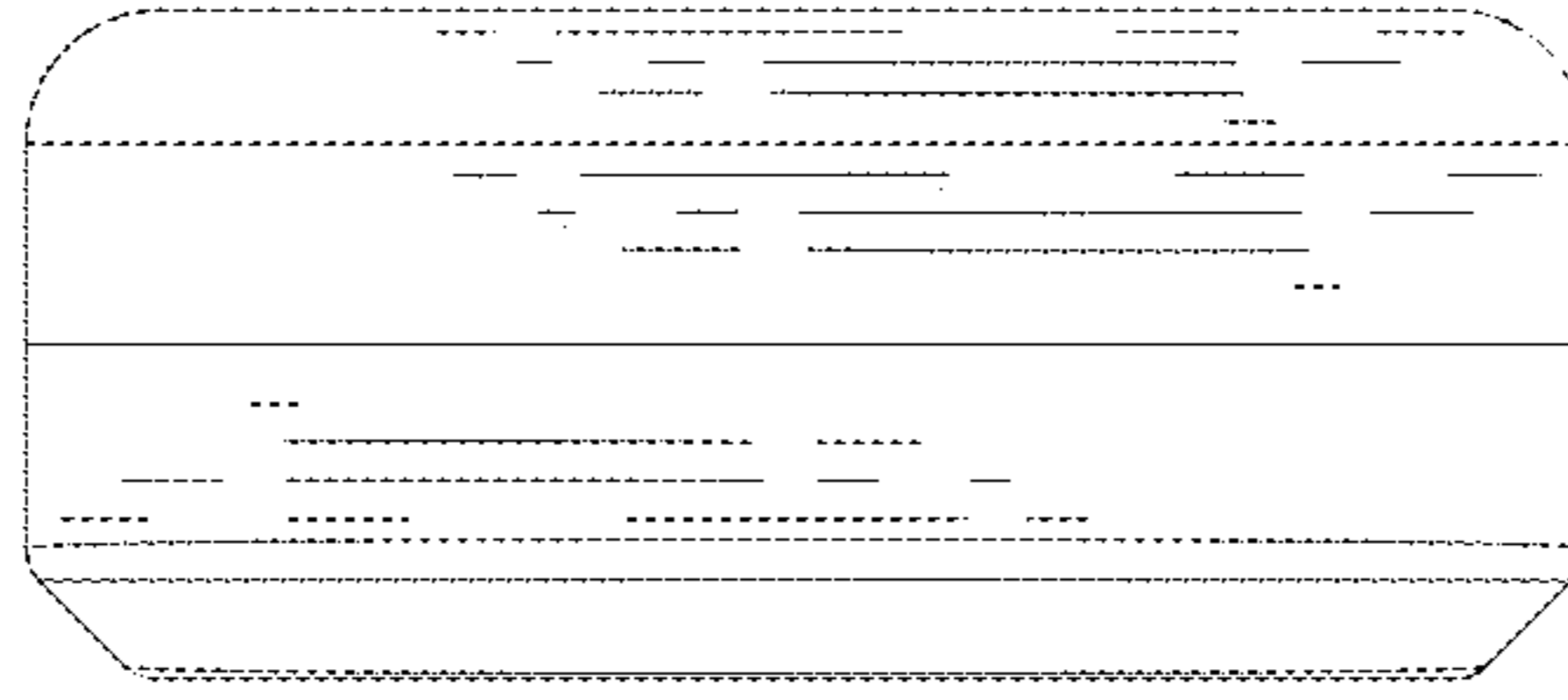


FIG. 7

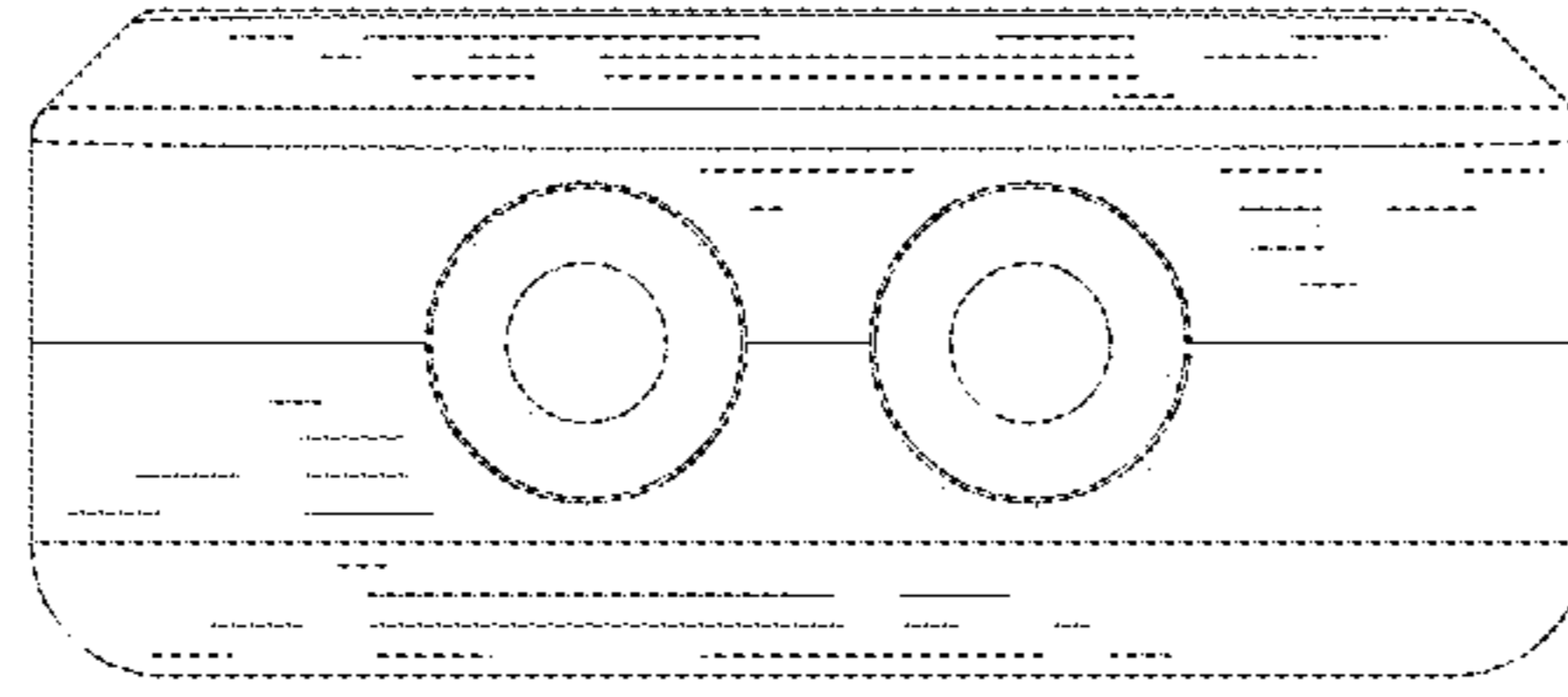


FIG. 8