



US00D917403S

(12) **United States Design Patent**  
**Apkarian et al.**

(10) **Patent No.:** **US D917,403 S**

(45) **Date of Patent:** **\*\* Apr. 27, 2021**

(54) **COVER FOR AN ADAPTER**

(71) Applicants: **Christopher Apkarian**, Hooksett, NH (US); **Nicholas Fowler**, Deering, NH (US)

(72) Inventors: **Christopher Apkarian**, Hooksett, NH (US); **Nicholas Fowler**, Deering, NH (US)

(73) Assignee: **Osram Sylvania Inc.**, Wilmington, MA (US)

(\*\*) Term: **15 Years**

(21) Appl. No.: **29/700,357**

(22) Filed: **Aug. 1, 2019**

(51) **LOC (13) Cl.** ..... **13-03**

(52) **U.S. Cl.**  
USPC ..... **D13/156**

(58) **Field of Classification Search**  
USPC ..... D13/103, 107, 108, 110, 112, 118, 120, D13/123, 133, 137.1, 145-147, 149-156, D13/173, 177, 184, 199; D14/240, 242, D14/432-438, 435.1; D8/323, 325, 326, D8/329, 349, 354, 389  
CPC .. F21K 9/20; F21S 4/28; F21V 15/015; F21V 17/10; F21V 19/003; F21V 21/005  
See application file for complete search history.

(56) **References Cited**

**U.S. PATENT DOCUMENTS**

3,094,197 A \* 6/1963 Attwood ..... A47B 96/1408  
52/100  
D537,402 S \* 2/2007 Smith ..... D12/223

D558,040 S \* 12/2007 Skinner ..... D8/354  
D637,477 S \* 5/2011 Wall ..... D8/382  
D715,620 S \* 10/2014 Tung ..... D8/323  
D802,167 S \* 11/2017 Gyetvai ..... D25/119  
D839,081 S \* 1/2019 Iellimo ..... D8/354  
D858,252 S \* 9/2019 Waterhouse ..... D8/323  
2018/0127206 A1 \* 5/2018 Iellimo ..... B65G 1/02

**OTHER PUBLICATIONS**

Eskimo. 300455 Adapter Plate Intake Cover Viper ENG. No date specified. <https://www.geteskimo.com/Product/300455-adapter-plate-intake-cover-viper-eng-584> (Year: 0).\*

\* cited by examiner

*Primary Examiner* — Darcey E Gottschalk

(74) *Attorney, Agent, or Firm* — Edward S. Podszus

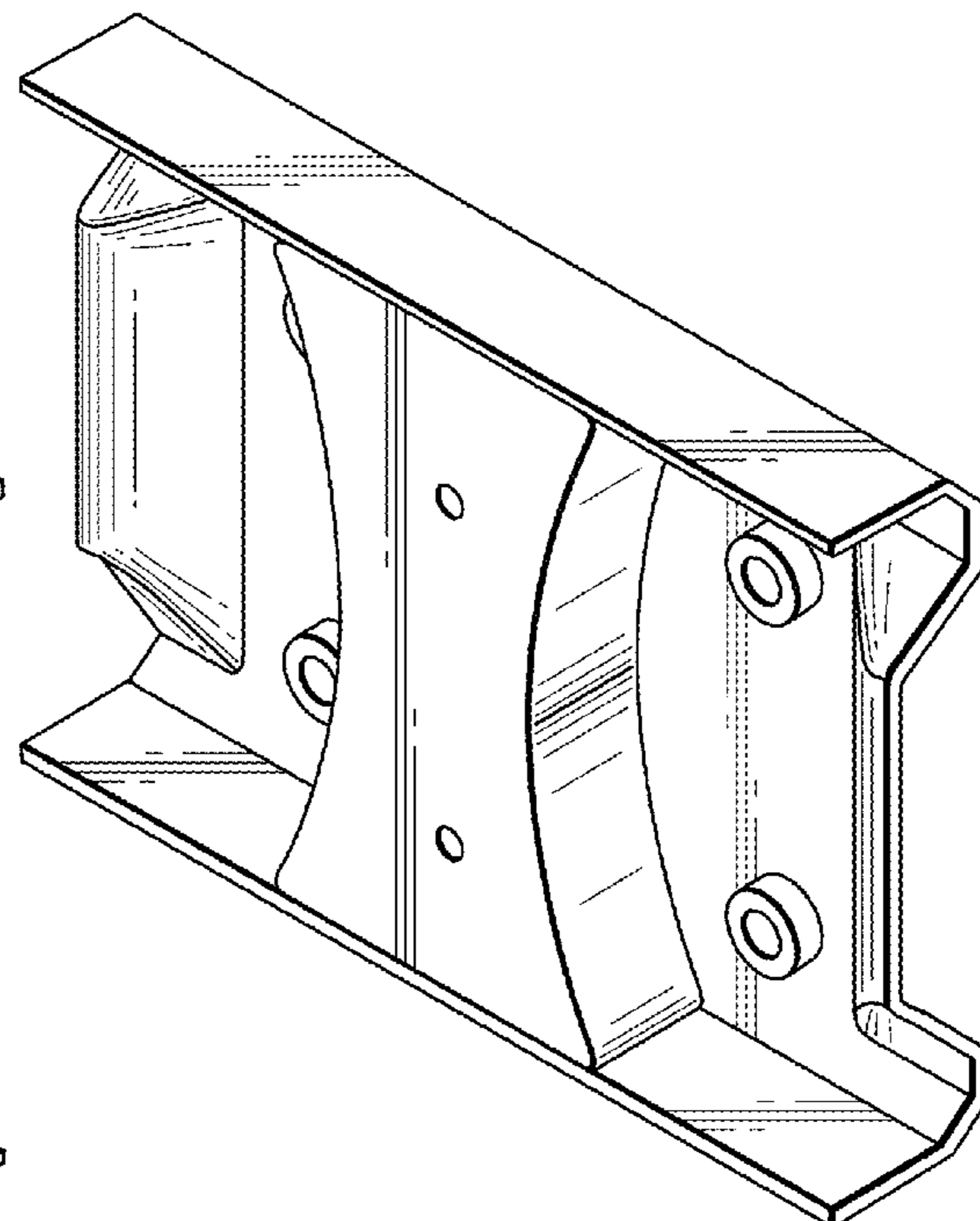
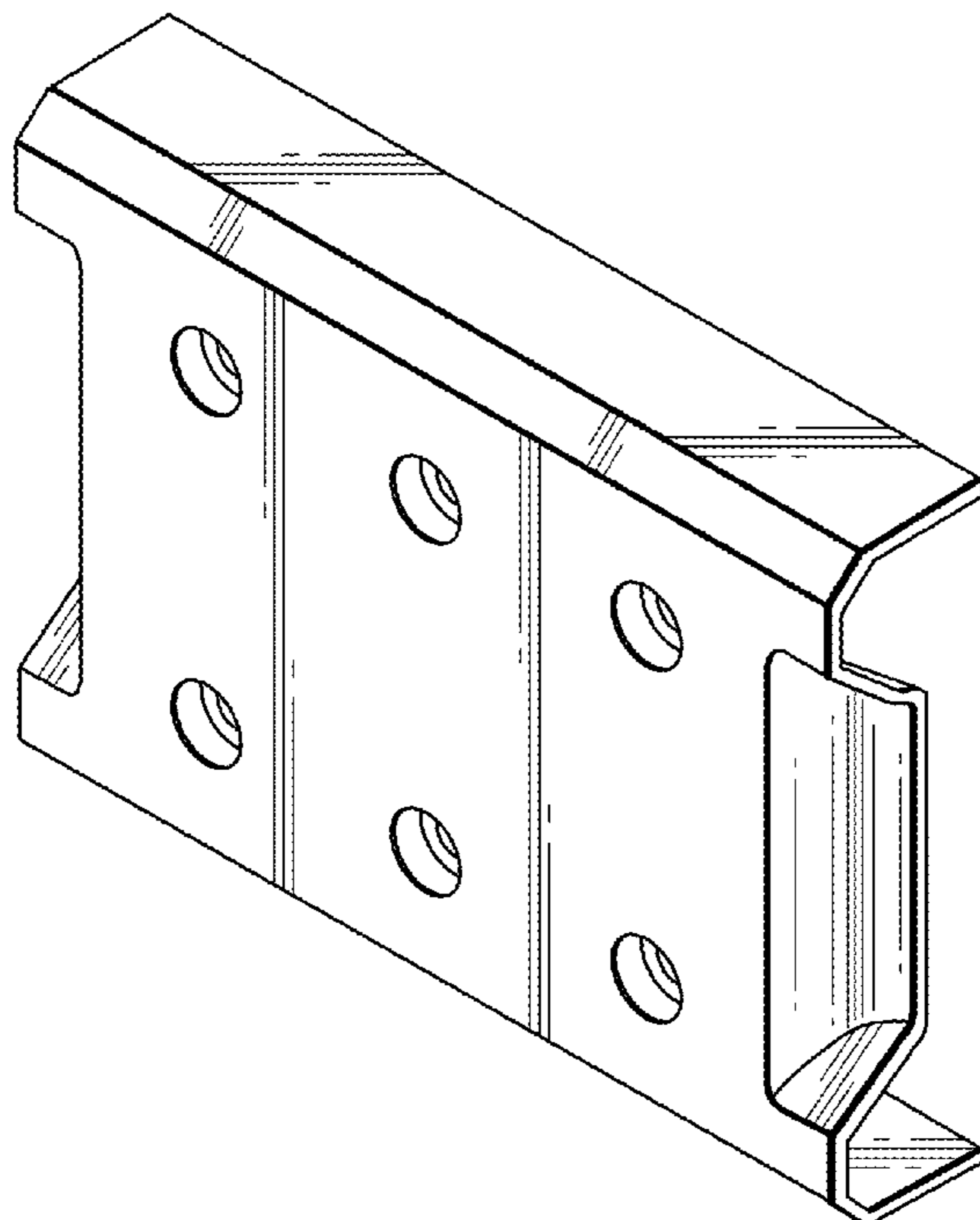
(57) **CLAIM**

The ornamental design for a cover for an adapter, as shown and described.

**DESCRIPTION**

FIG. 1 is a perspective view of the new design for a cover for an adapter as seen from the top, front, left side; FIG. 2 is a perspective view thereof, as seen from the top, rear, right side; FIG. 3 is a right side elevational view thereof; FIG. 4 is a top plan view thereof; FIG. 5 is a front elevational view thereof; FIG. 6 is a bottom plan view thereof; FIG. 7 is a rear elevational view thereof; and, FIG. 8 is a left side elevational view thereof.

**1 Claim, 3 Drawing Sheets**



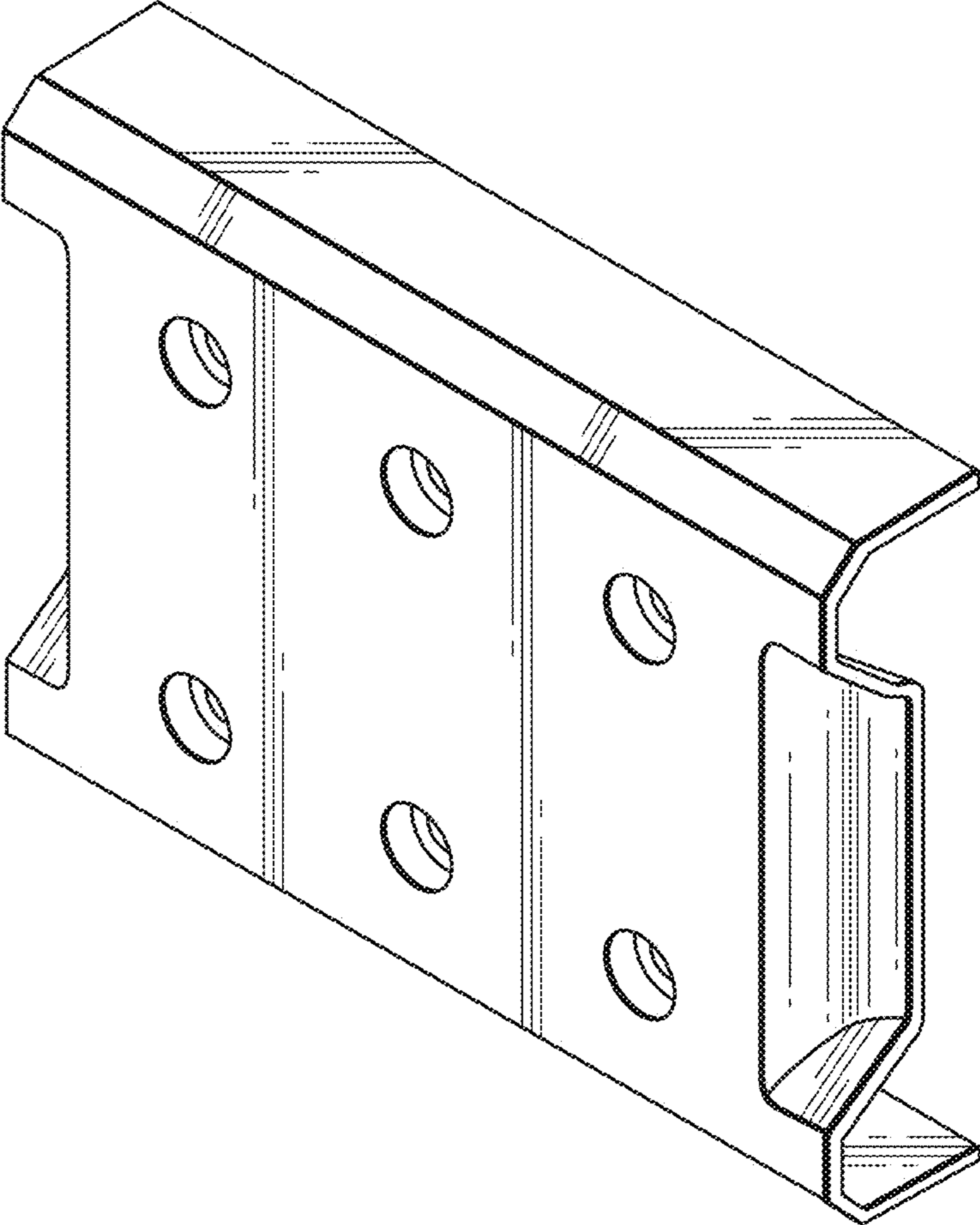


FIG. 1

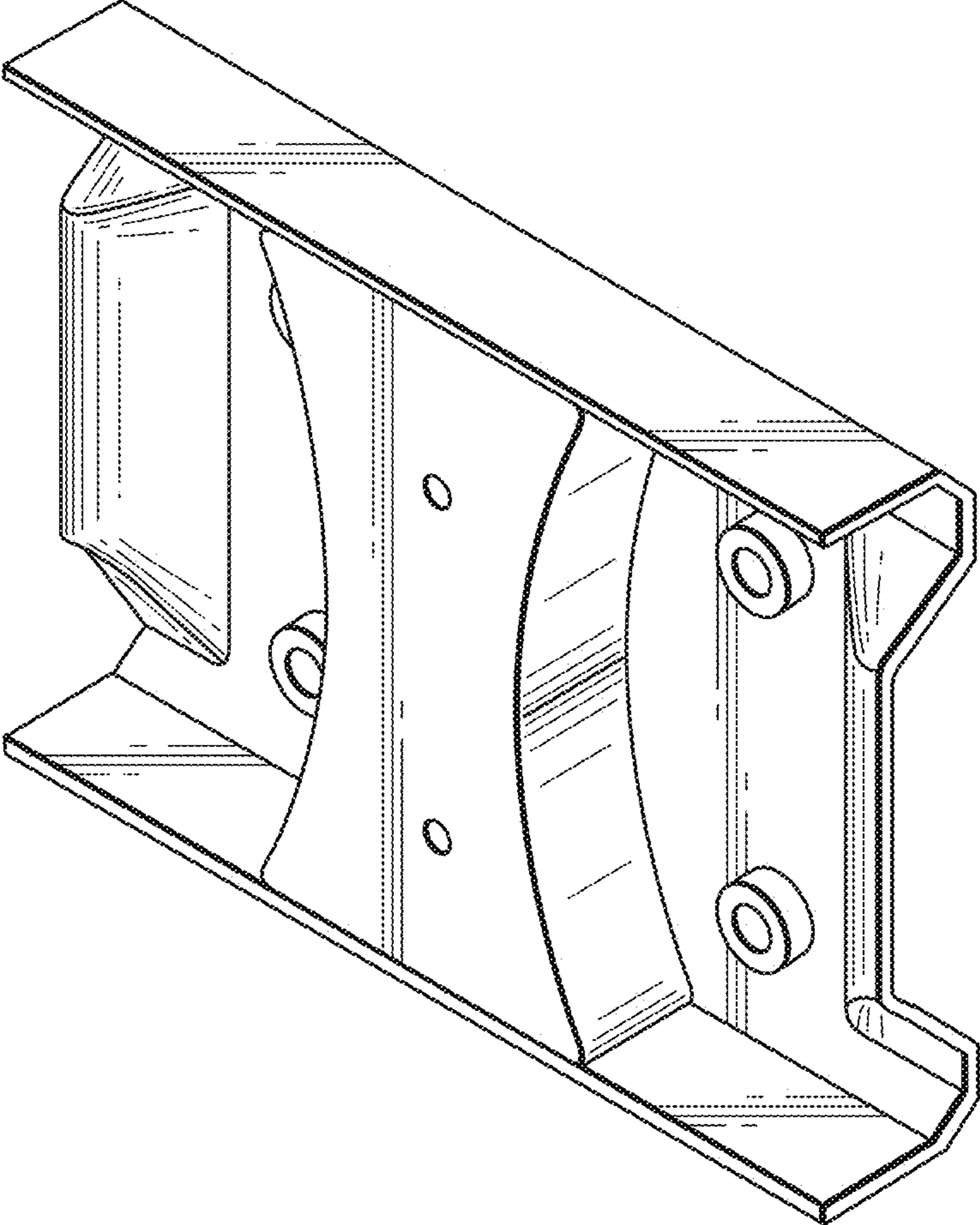


FIG. 2



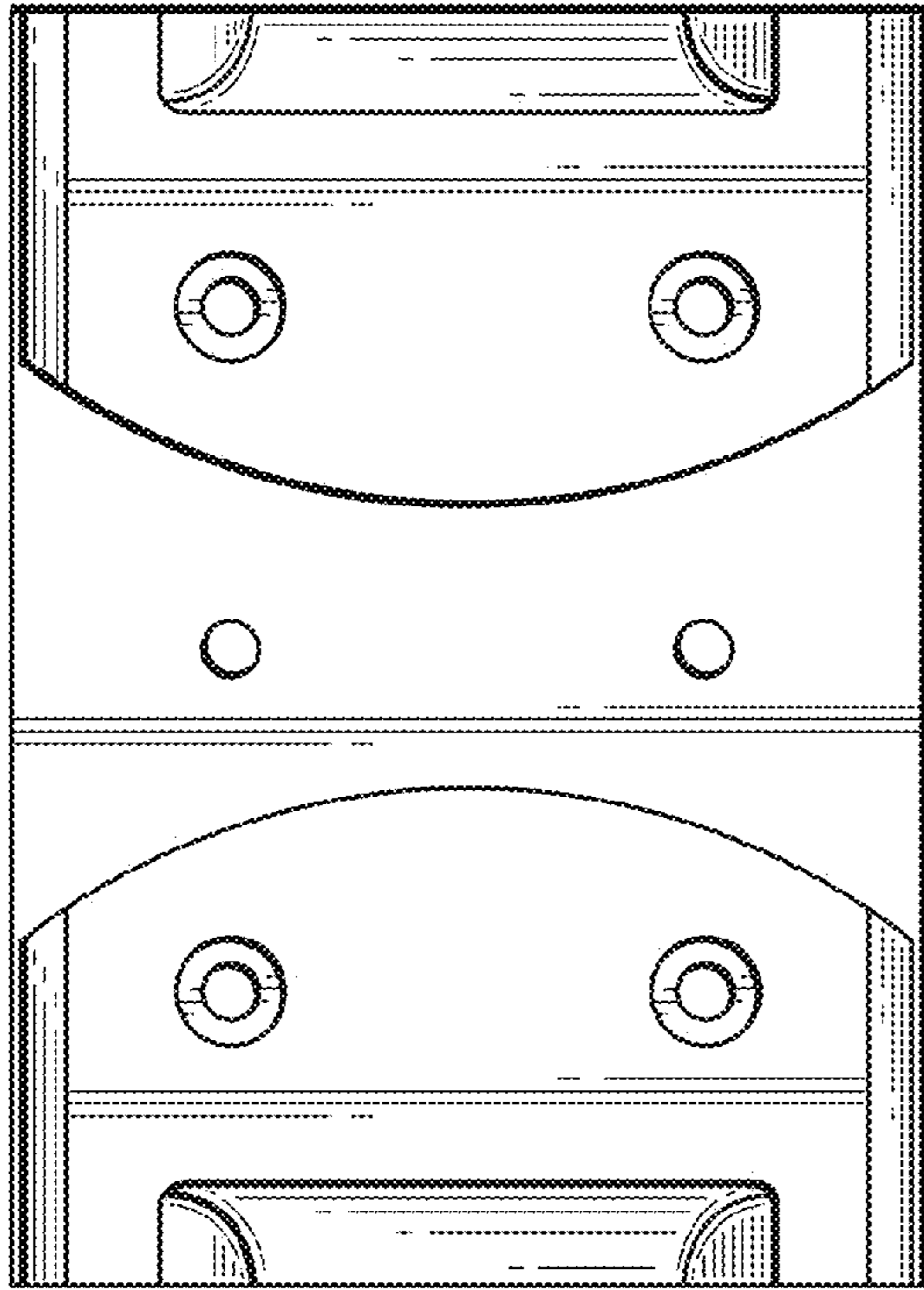


FIG. 7

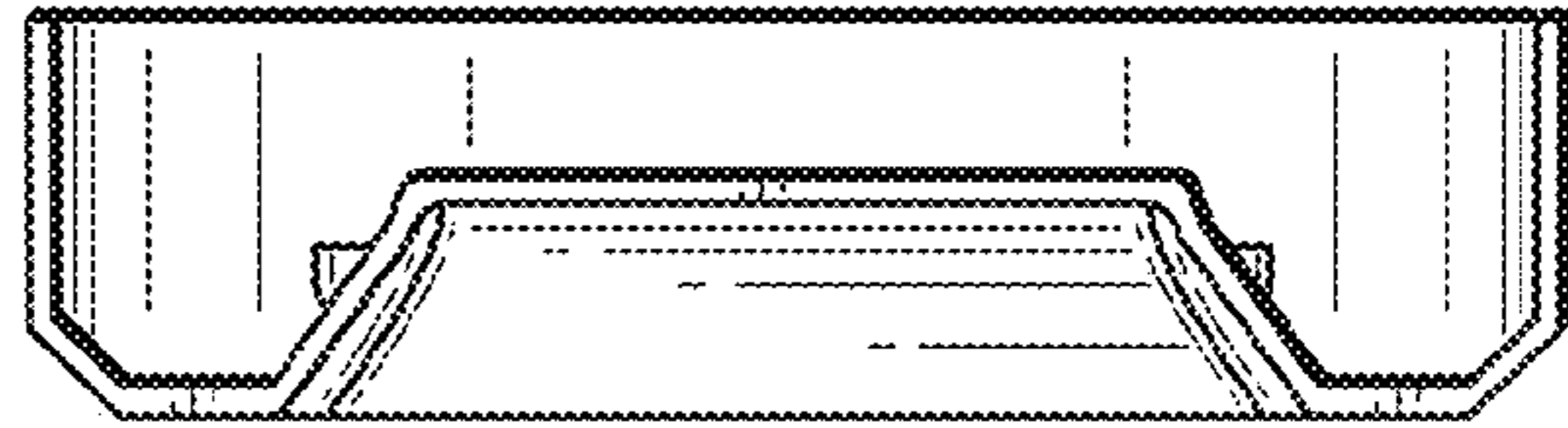


FIG. 8

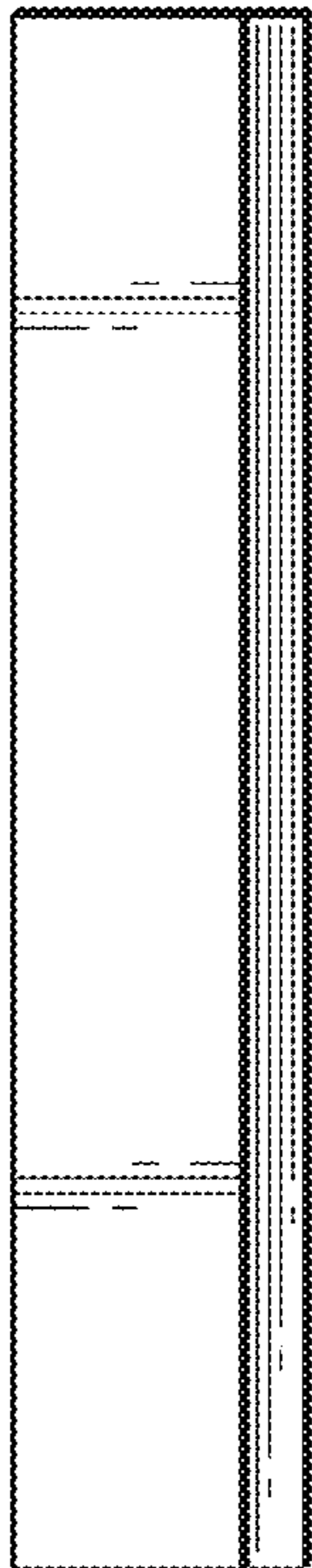


FIG. 4

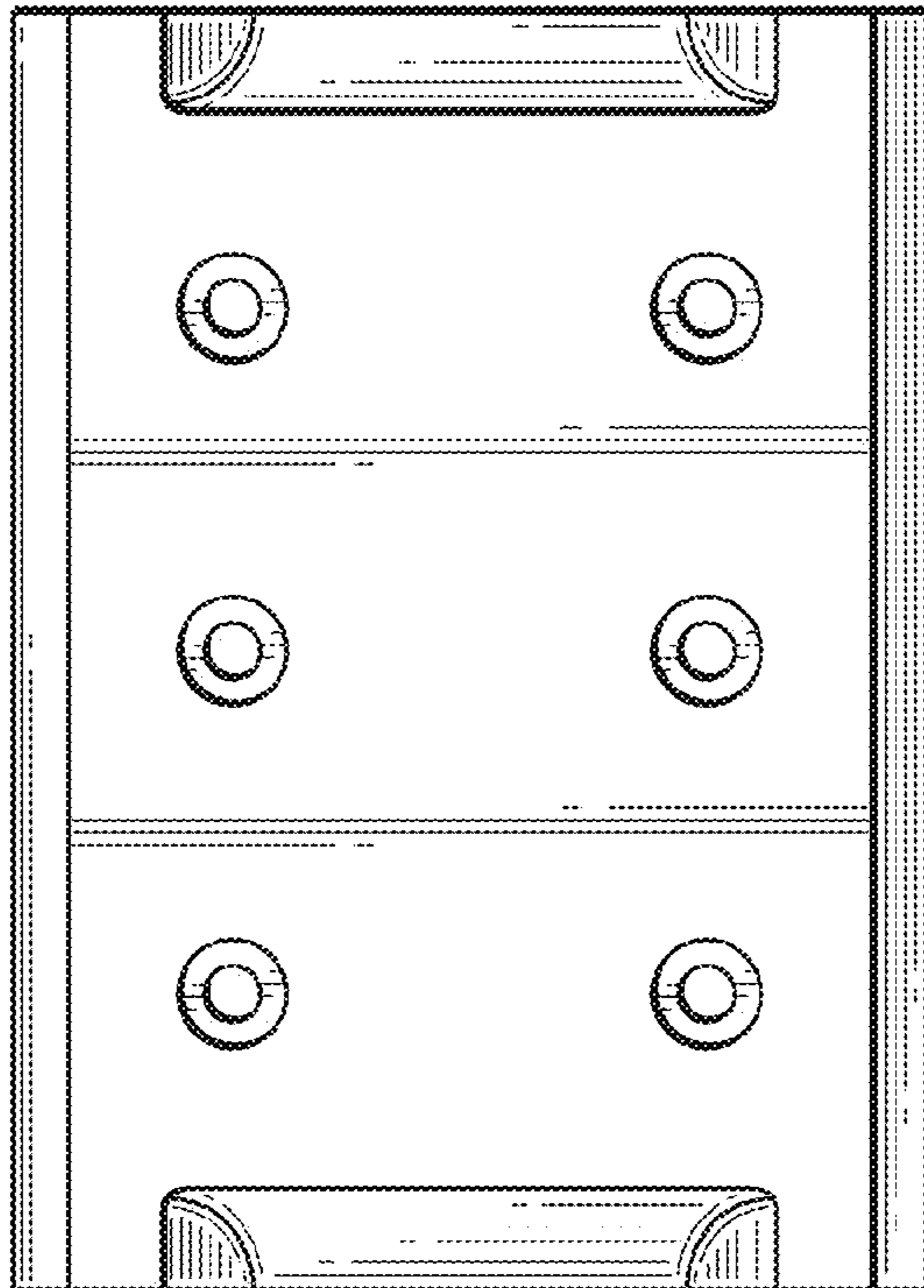


FIG. 5

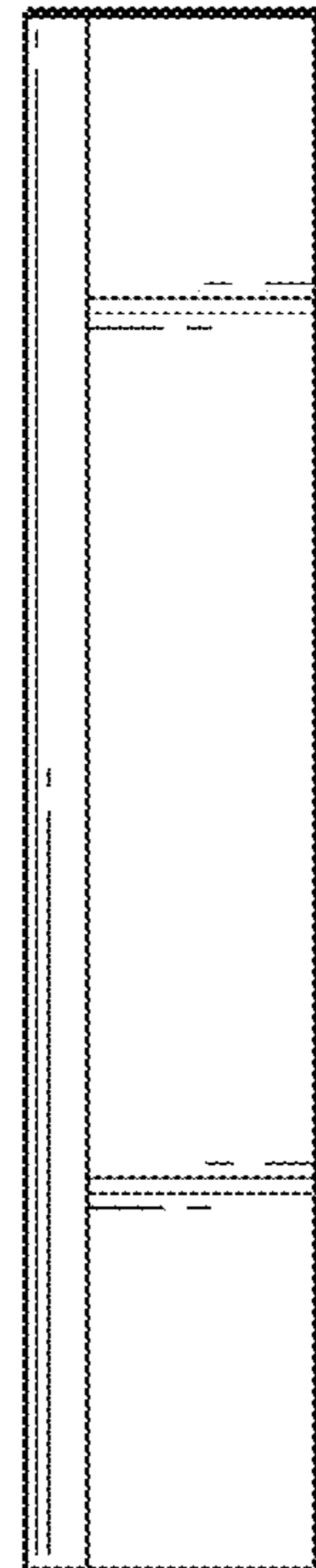


FIG. 6

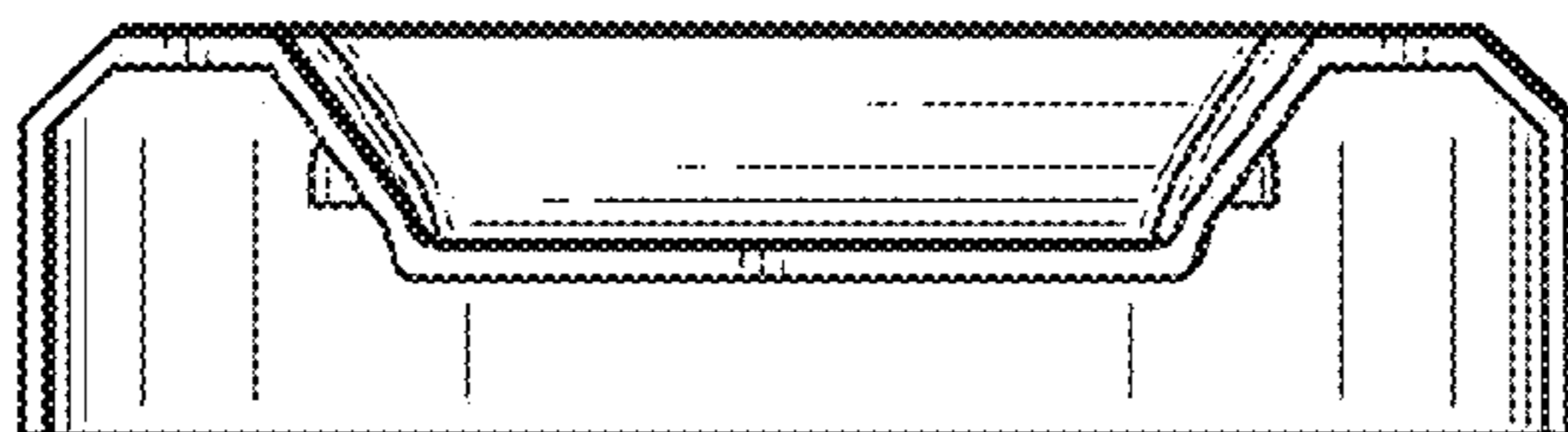


FIG. 3