



US00D917402S

(12) **United States Design Patent** (10) **Patent No.:** **US D917,402 S**
Wu et al. (45) **Date of Patent:** **** Apr. 27, 2021**

(54) **PROTECTIVE CAP** 6,282,093 B1 * 8/2001 Goodwin H01L 23/4006
165/185
(71) Applicant: **FOXCONN INTERCONNECT** D509,482 S * 9/2005 Huang D13/179
TECHNOLOGY LIMITED, Grand 7,190,586 B2 * 3/2007 Franz H01L 23/4093
Cayman (KY) 165/185
7,292,447 B2 * 11/2007 Xia H01L 23/4093
165/185
(72) Inventors: **Heng-Kang Wu**, Shenzhen (CN); 7,534,114 B2 * 5/2009 Liao H01R 13/5213
Fu-Jin Peng, Shenzhen (CN) 439/135
(73) Assignee: **FOXCONN INTERCONNECT** D748,595 S * 2/2016 Bertalan D13/182
TECHNOLOGY LIMITED, Grand D810,706 S * 2/2018 Soyano D13/182
Cayman (KY) D825,498 S * 8/2018 Allin D13/179
10,103,086 B2 * 10/2018 Lin H01L 23/4093
D837,753 S * 1/2019 Azar D13/179
D853,402 S * 7/2019 Yang D14/440
(**) Term: **15 Years** (Continued)

(21) Appl. No.: **29/636,528**

(22) Filed: **Feb. 8, 2018**

(30) **Foreign Application Priority Data**

Aug. 22, 2017 (CN) 201730387869.0
Dec. 25, 2017 (CN) 201730666291.2

(51) **LOC (13) Cl.** **13-02**

(52) **U.S. Cl.**
USPC **D13/156; D14/440**

(58) **Field of Classification Search**
USPC D13/155, 156, 120–121, 123, 133, 151,
D13/154, 158, 160, 173, 178, 179, 182,
D13/184, 199; D14/440
CPC . H01L 23/4093; H01R 13/625; H01R 13/447;
H01R 13/4362; H01R 13/5213
See application file for complete search history.

(56) **References Cited**

U.S. PATENT DOCUMENTS

D200,105 S * 1/1965 Root D13/179
D303,951 S * 10/1989 McCarthy D13/179
5,410,450 A * 4/1995 Iida H01L 23/49575
174/533
D438,515 S * 3/2001 Yokoyama D13/179

FOREIGN PATENT DOCUMENTS

CN 106848717 A 6/2017

Primary Examiner — Jennifer O King
(74) *Attorney, Agent, or Firm* — Ming Chieh Chang; Wei Te Chung

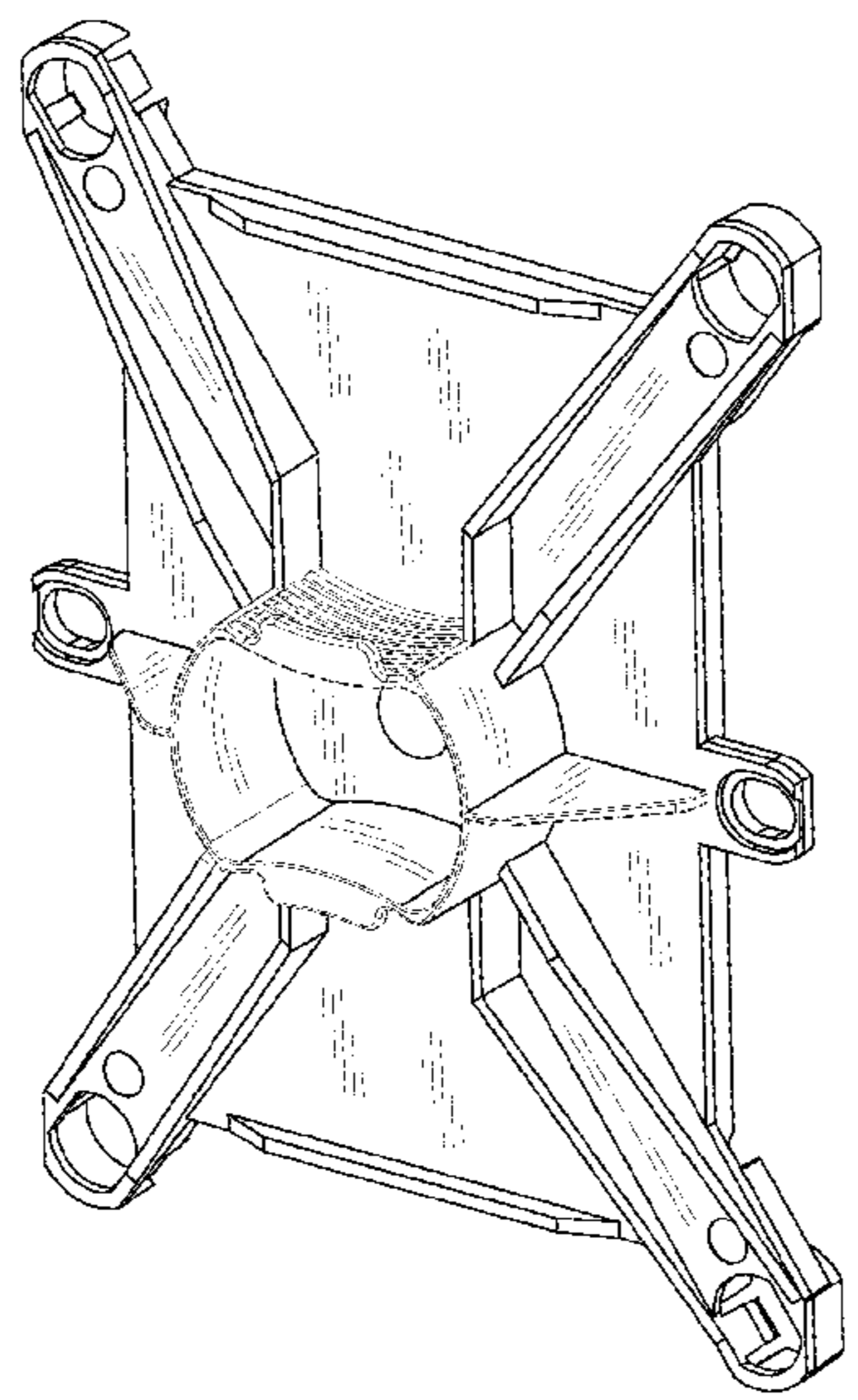
(57) **CLAIM**

The ornamental design for a protective cap, as shown and described.

DESCRIPTION

FIG. 1 is a perspective view of a Protective Cap showing our new design;
FIG. 2 is a front elevational view thereof;
FIG. 3 is a rear side elevational view thereof;
FIG. 4 is a left side elevational view thereof;
FIG. 5 is a right side elevational view thereof;
FIG. 6 is a top plan view thereof;
FIG. 7 is a bottom plane view thereof; and,
FIG. 8 is a perspective view thereof, shown in use.
The broken line showing of related parts is for the purpose of illustrating environmental structure and forms no part of the claimed design.

1 Claim, 8 Drawing Sheets



(56)

References Cited

U.S. PATENT DOCUMENTS

D877,513 S * 3/2020 Duncan D3/318
2016/0295714 A1 * 10/2016 Taniguchi B60R 16/0238
2020/0099170 A1 * 3/2020 Veit H01R 13/506
2020/0126889 A1 * 4/2020 Mao G06F 1/20

* cited by examiner

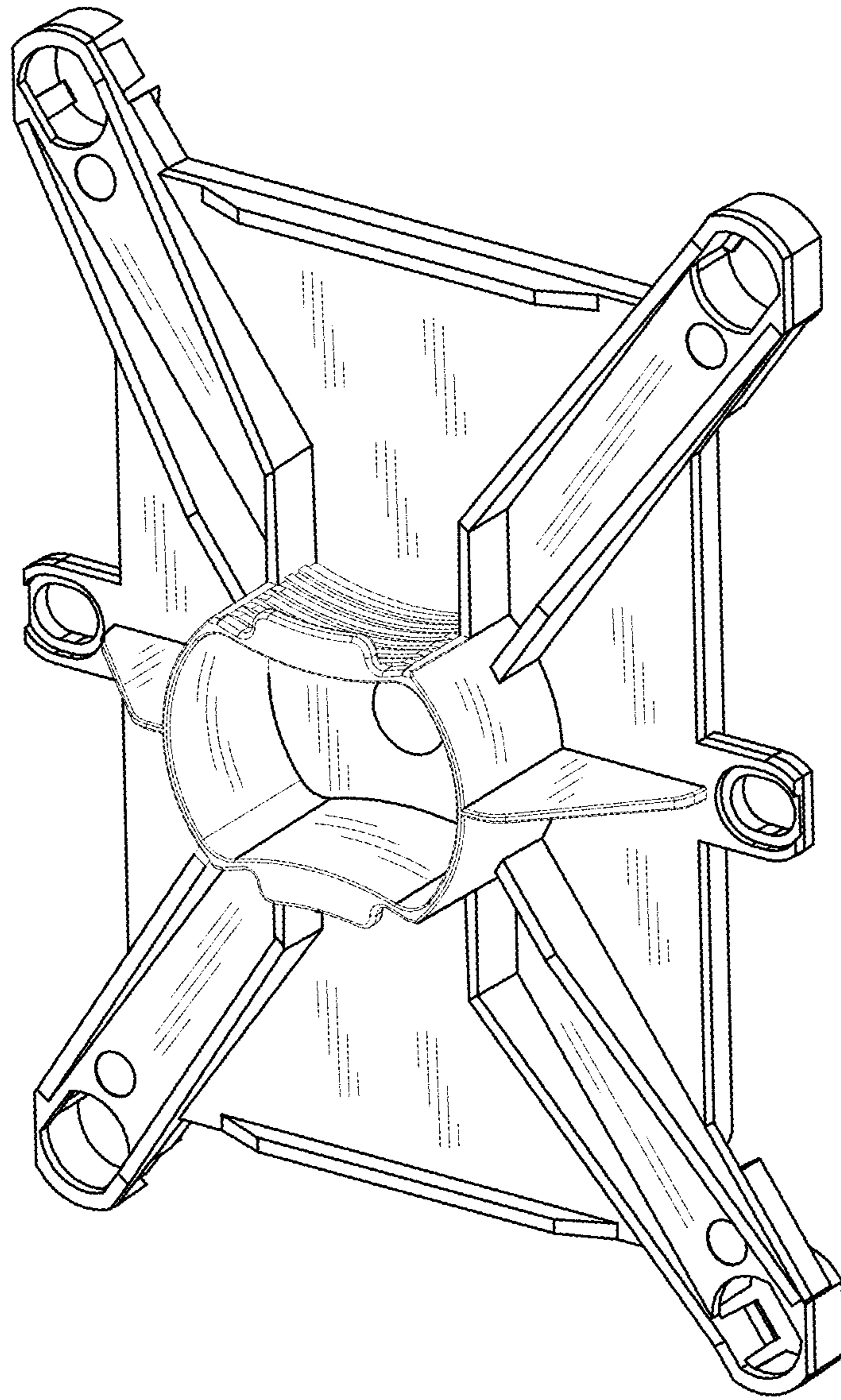


FIG. 1

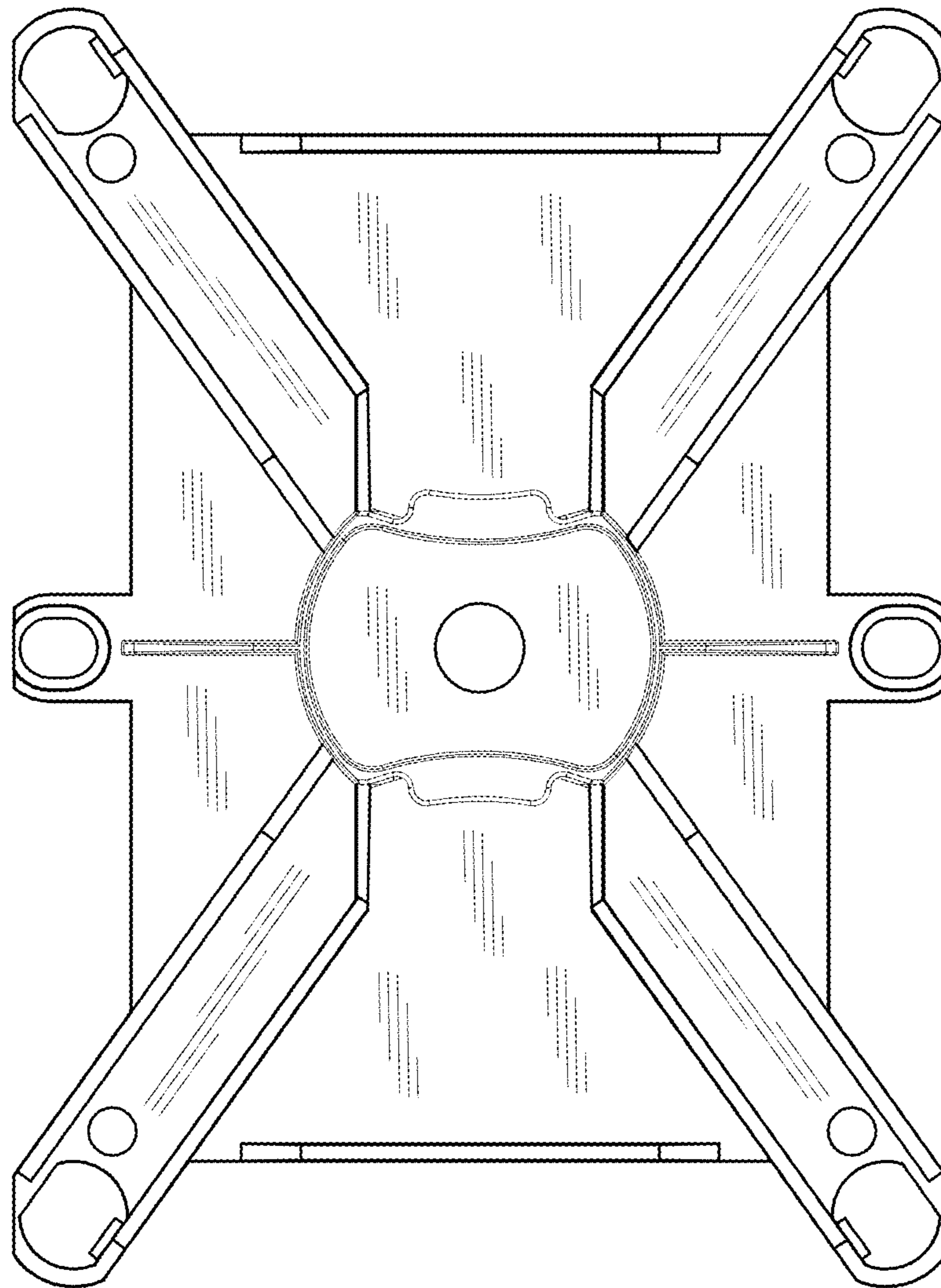


FIG. 2

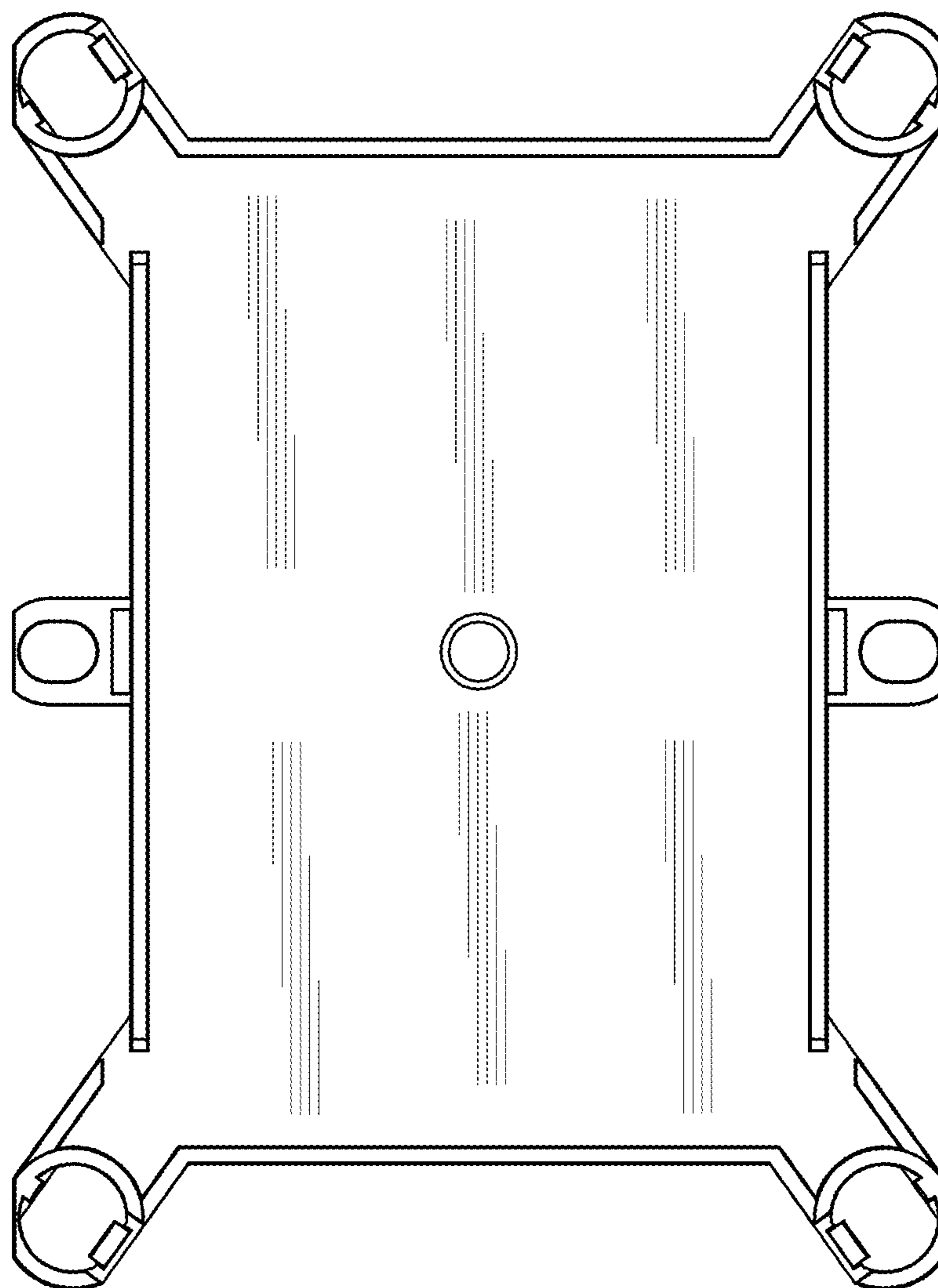


FIG. 3

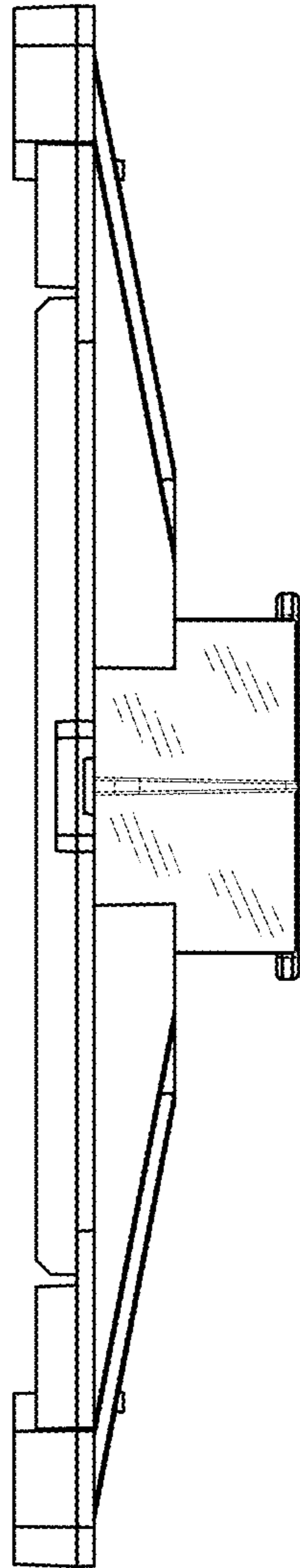


FIG. 4

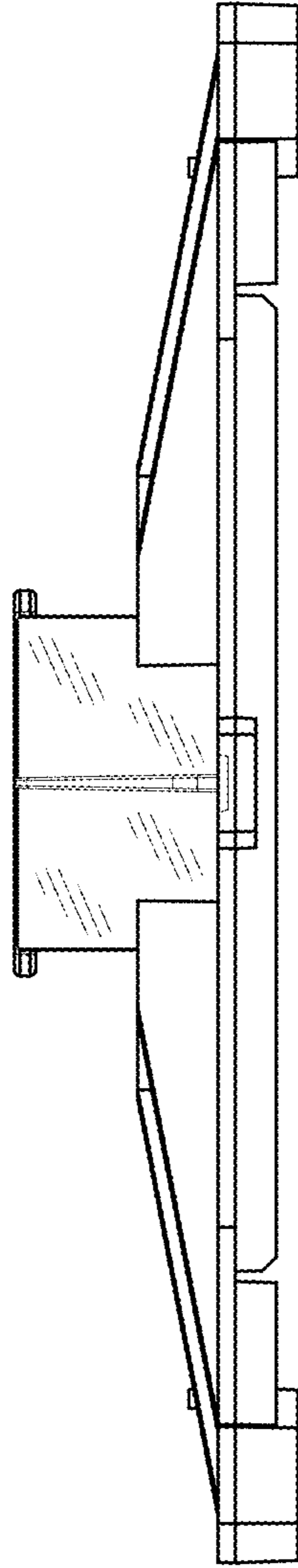


FIG. 5

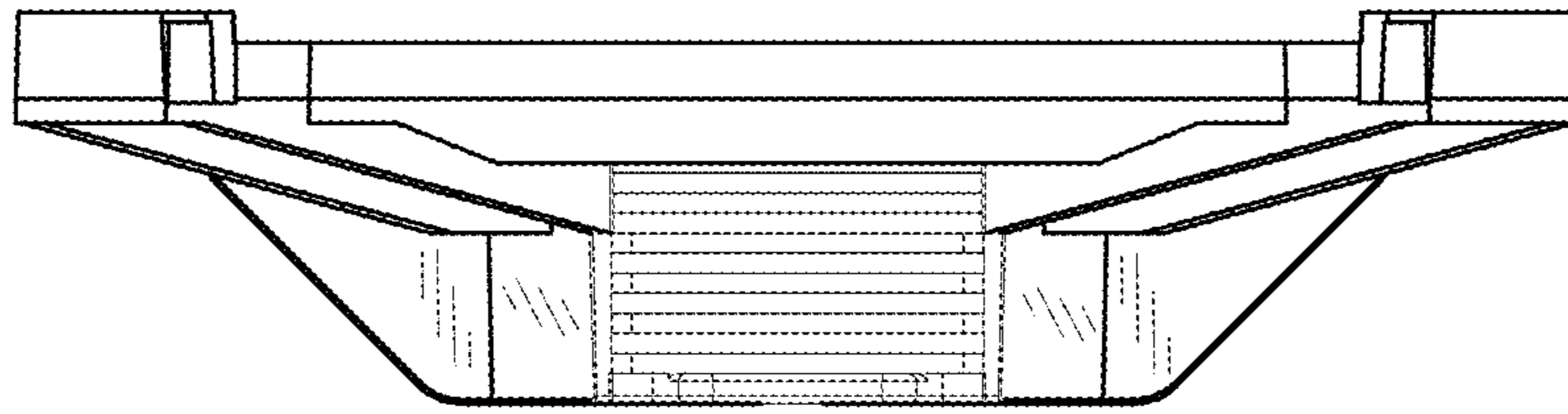


FIG. 6

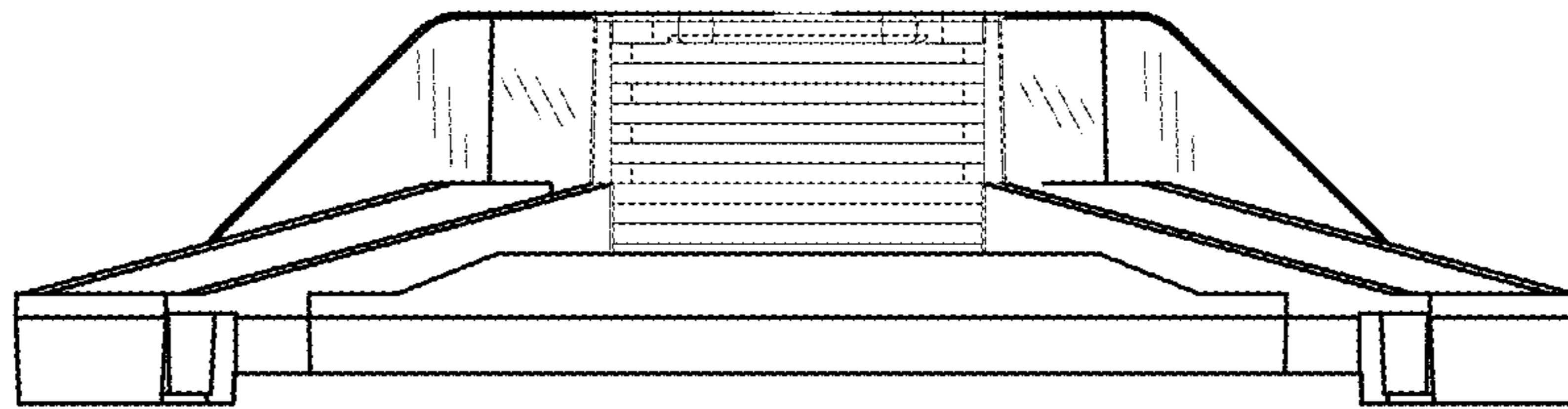


FIG. 7

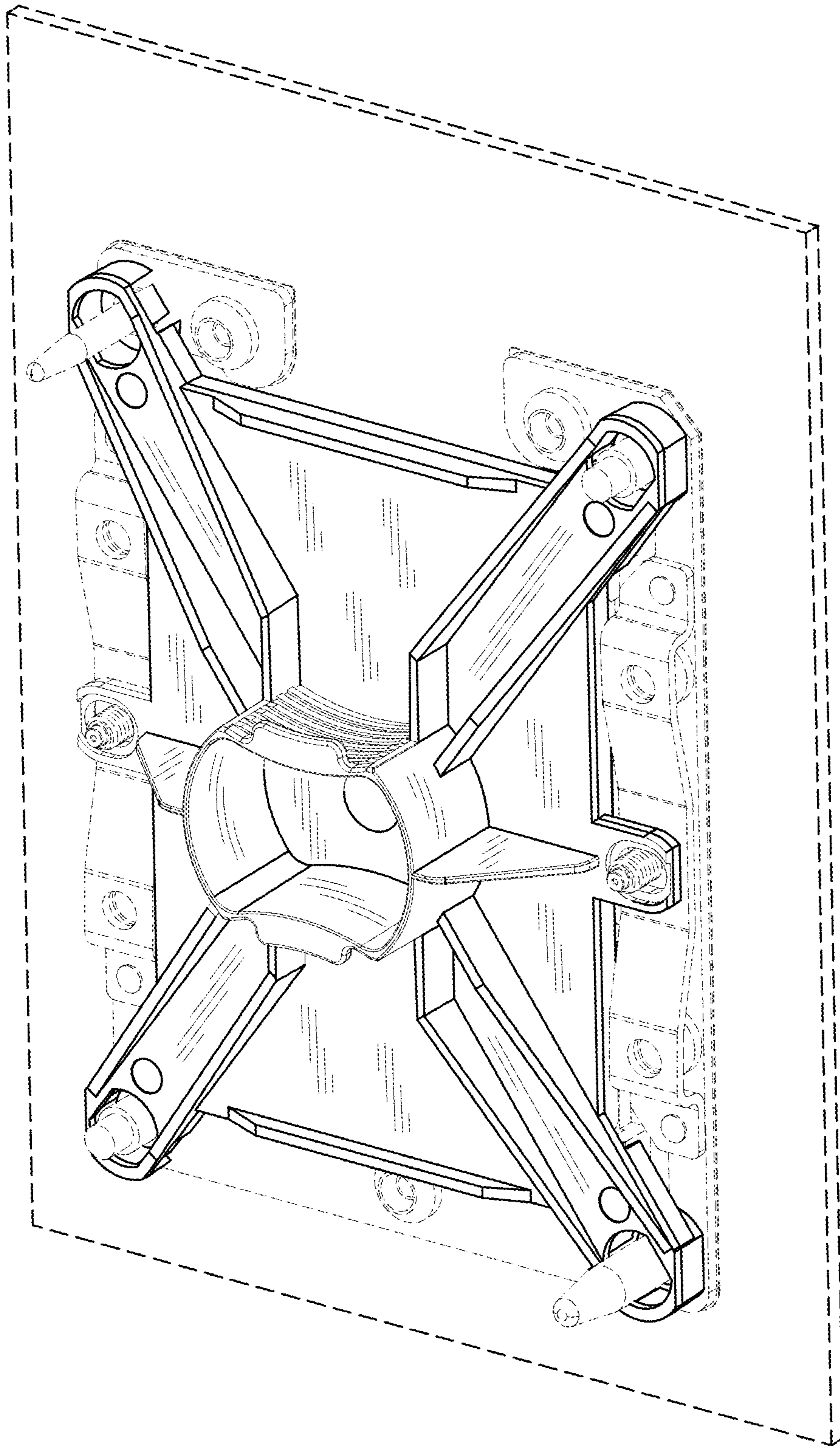


FIG. 8