



US00D917401S

(12) **United States Design Patent**  
**Mohamed et al.**

(10) **Patent No.:** **US D917,401 S**  
(45) **Date of Patent:** **\*\* Apr. 27, 2021**

(54) **DIVIDED JUNCTION BOX WITH COVER**

(71) Applicant: **Crestron Electronics, Inc.**, Rockleigh, NJ (US)

(72) Inventors: **Dean Mohamed**, Oakland, NJ (US);  
**Michael Kertes**, East Brunswick, NJ (US)

(73) Assignee: **Crestron Electronics, Inc.**, Rockleigh, NJ (US)

(\*\*) Term: **15 Years**

(21) Appl. No.: **29/696,778**

(22) Filed: **Jul. 1, 2019**

(51) **LOC (13) Cl.** ..... **13-03**

(52) **U.S. Cl.**  
USPC ..... **D13/152**

(58) **Field of Classification Search**  
USPC ..... D13/101, 107, 110, 118, 120, 123, 133,  
D13/134, 146, 147, 150–155, 158–163,  
D13/173, 175, 177, 184, 199; D14/300,  
D14/301, 302, 349, 356; D9/302, 414  
See application file for complete search history.

(56) **References Cited**

U.S. PATENT DOCUMENTS

|           |     |         |           |       |                          |
|-----------|-----|---------|-----------|-------|--------------------------|
| 2,480,805 | A * | 8/1949  | Buckels   | ..... | H02G 3/125<br>248/219.4  |
| 3,148,899 | A * | 9/1964  | Grinstead | ..... | H02G 3/0683<br>285/154.3 |
| 3,606,223 | A * | 9/1971  | Havener   | ..... | H02G 3/126<br>248/205.1  |
| 5,726,385 | A * | 3/1998  | Lowery    | ..... | H02G 3/081<br>174/50     |
| D507,241  | S * | 7/2005  | Koessler  | ..... | D13/152                  |
| D612,813  | S * | 3/2010  | Paul      | ..... | D13/162                  |
| 7,812,255 | B2  | 10/2010 | Garvin    |       |                          |
| D676,814  | S * | 2/2013  | Paul      | ..... | D13/152                  |

|              |      |         |         |       |                          |
|--------------|------|---------|---------|-------|--------------------------|
| D722,569     | S *  | 2/2015  | Osborne | ..... | D13/152                  |
| D744,878     | S *  | 12/2015 | Yokino  | ..... | D10/75                   |
| D766,185     | S *  | 9/2016  | Hagarty | ..... | D13/152                  |
| 2004/0051648 | A1 * | 3/2004  | Hagarty | ..... | H02G 15/10<br>340/693.9  |
| 2010/0181447 | A1 * | 7/2010  | Gretz   | ..... | H02G 3/263<br>248/221.11 |
| 2014/0263298 | A1 * | 9/2014  | Jones   | ..... | H02G 3/14<br>220/3.8     |

(Continued)

*Primary Examiner* — Susan Bennett Hattan

*Assistant Examiner* — Landon T Cassell

(74) *Attorney, Agent, or Firm* — Crestron Electronics, Inc.

(57) **CLAIM**

The ornamental design for a divided junction box with cover, as shown and described.

**DESCRIPTION**

FIG. 1 shows a front-left isometric view of a divided junction box with cover.

FIG. 2 shows a front-right isometric view thereof with the cover removed.

FIG. 3 shows a rear-right perspective view thereof with the cover removed.

FIG. 4 shows a rear-left perspective view thereof with the cover removed.

FIG. 5 shows a top isometric view thereof.

FIG. 6 shows a bottom view thereof.

FIG. 7 shows a top view thereof.

FIG. 8 shows a left side view thereof.

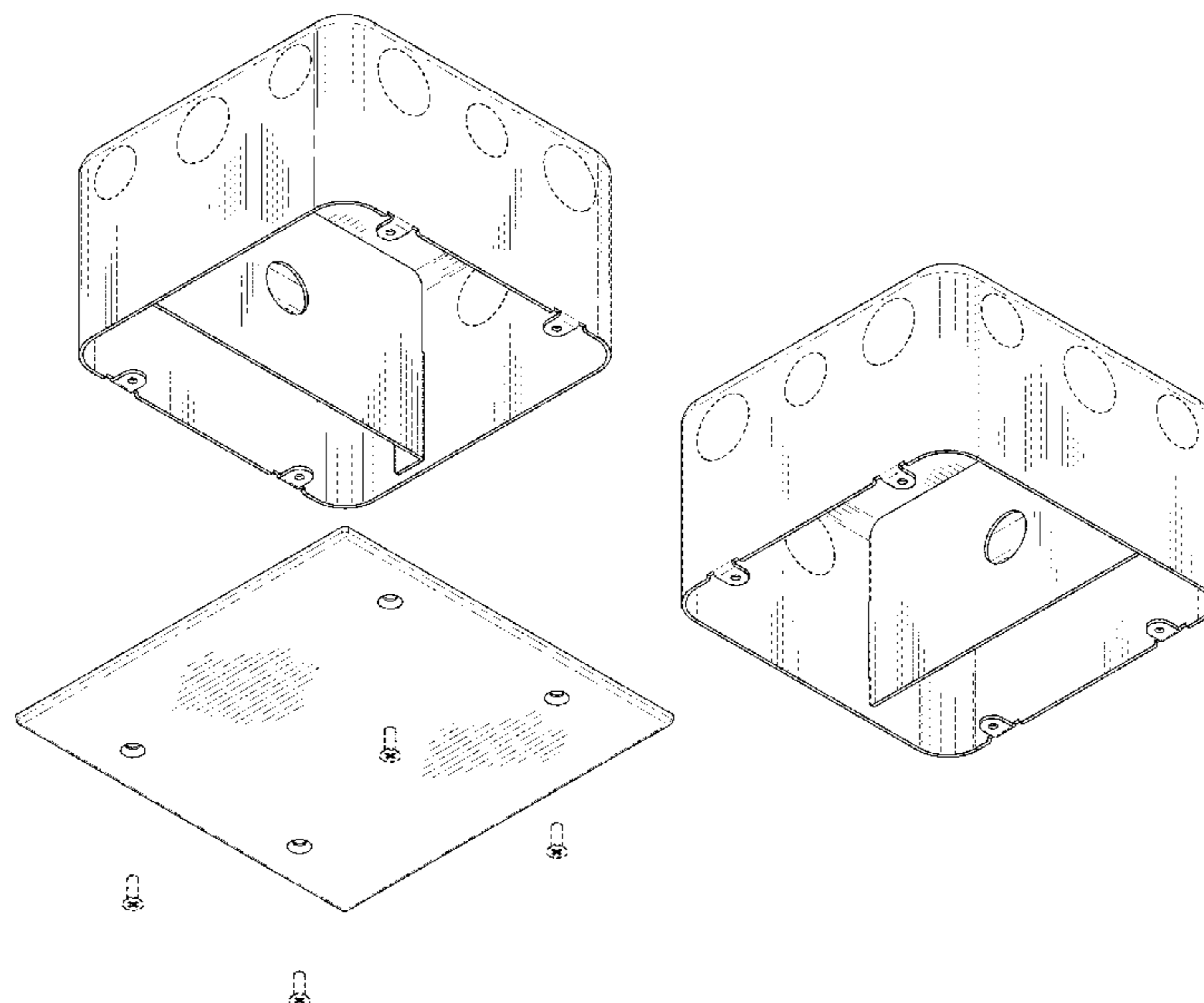
FIG. 9 shows a right side view thereof.

FIG. 10 shows a front view thereof; and,

FIG. 11 shows a rear view thereof.

The broken lines in the figures depict portions of the divided junction box with cover that form no part of the claimed design.

**1 Claim, 11 Drawing Sheets**



(56)

**References Cited**

U.S. PATENT DOCUMENTS

2015/0171607 A1\* 6/2015 Miller ..... H02G 3/086  
29/525.01  
2018/0109082 A1\* 4/2018 Garvin ..... H02B 1/34  
2018/0205211 A1\* 7/2018 Maurer ..... H02G 3/16  
2019/0334332 A1\* 10/2019 Yeh ..... H02G 3/065  
2020/0227899 A1\* 7/2020 Yeh ..... H02G 3/0406

\* cited by examiner

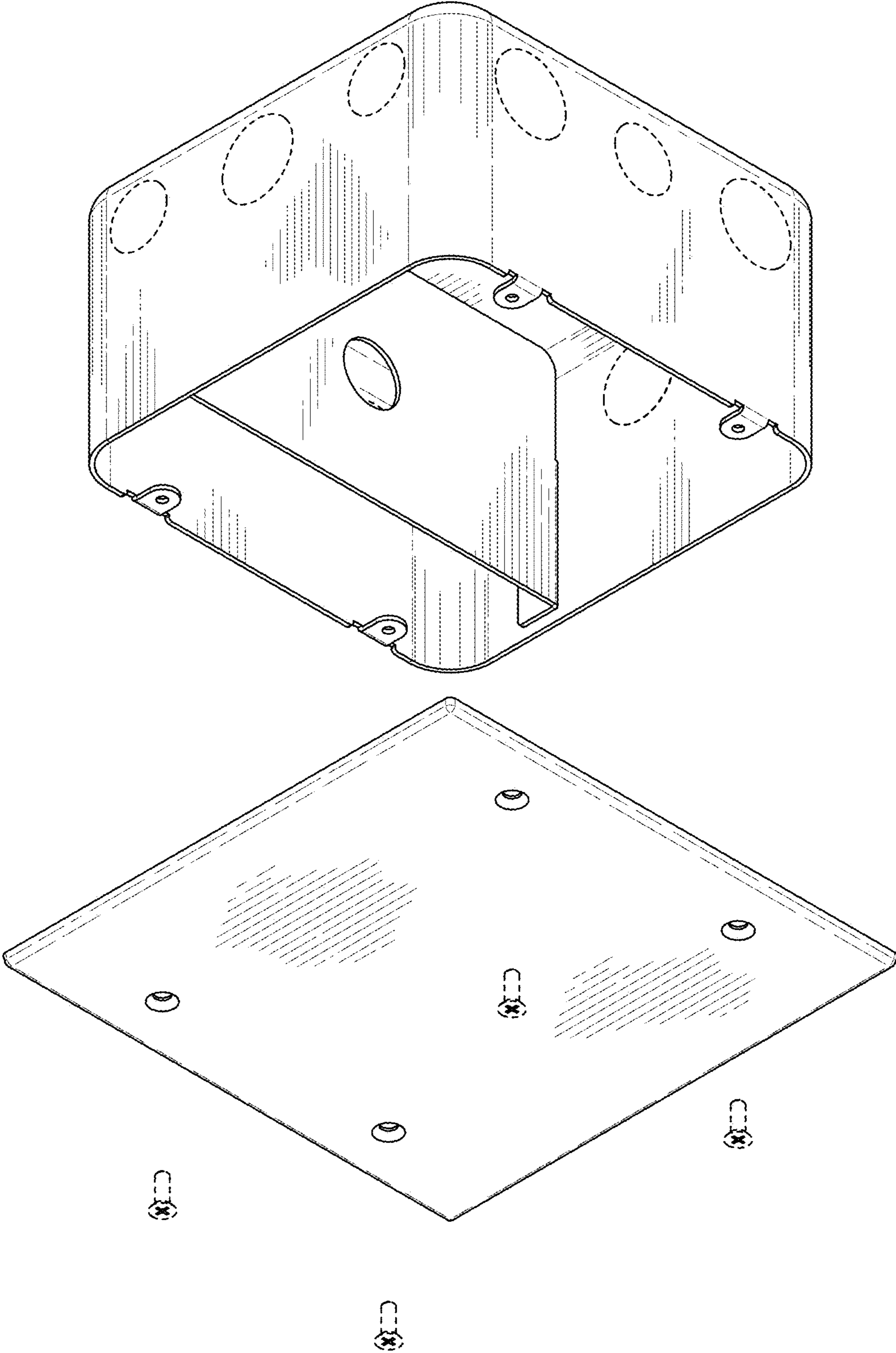
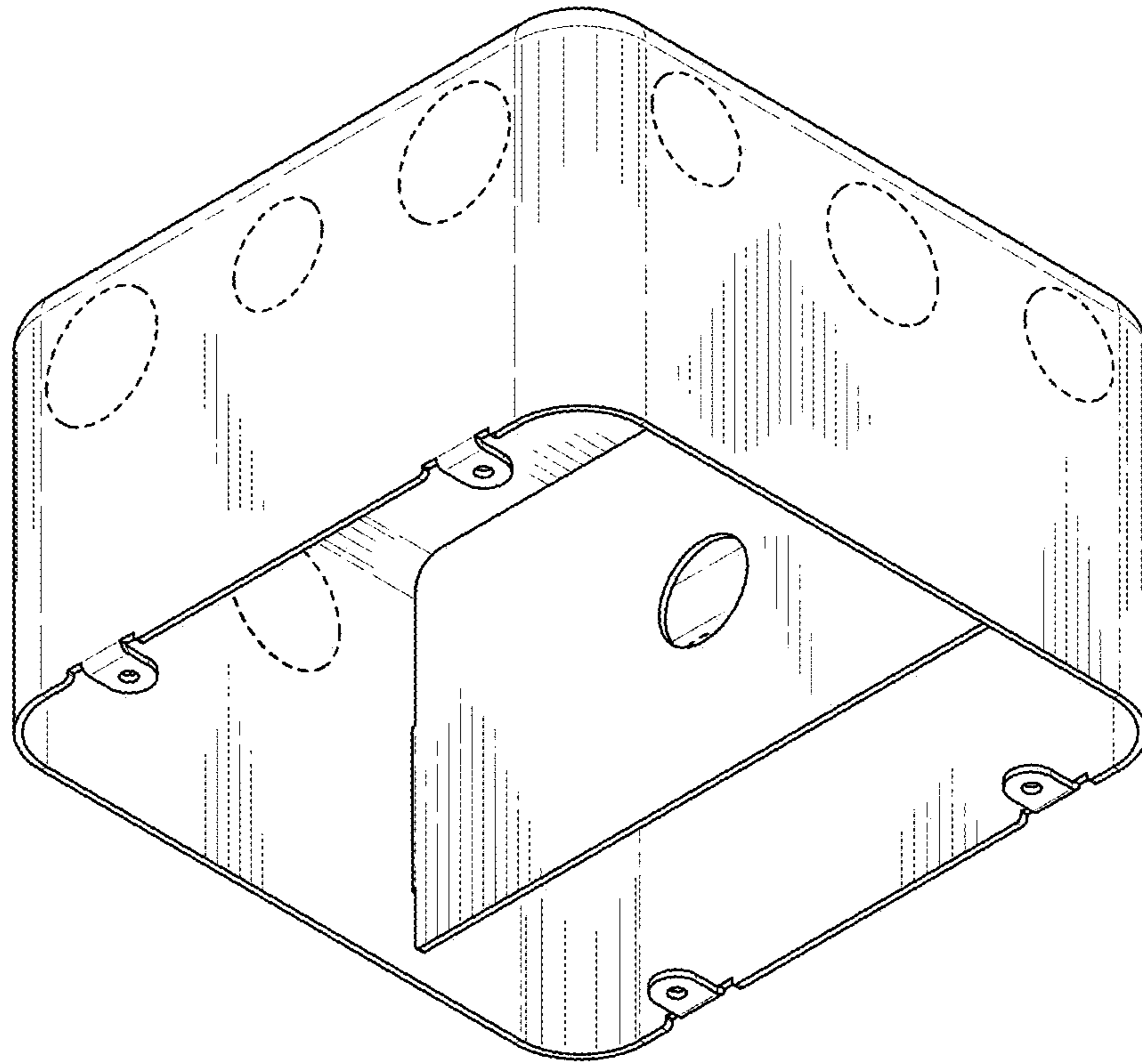


FIG. 1



*FIG. 2*



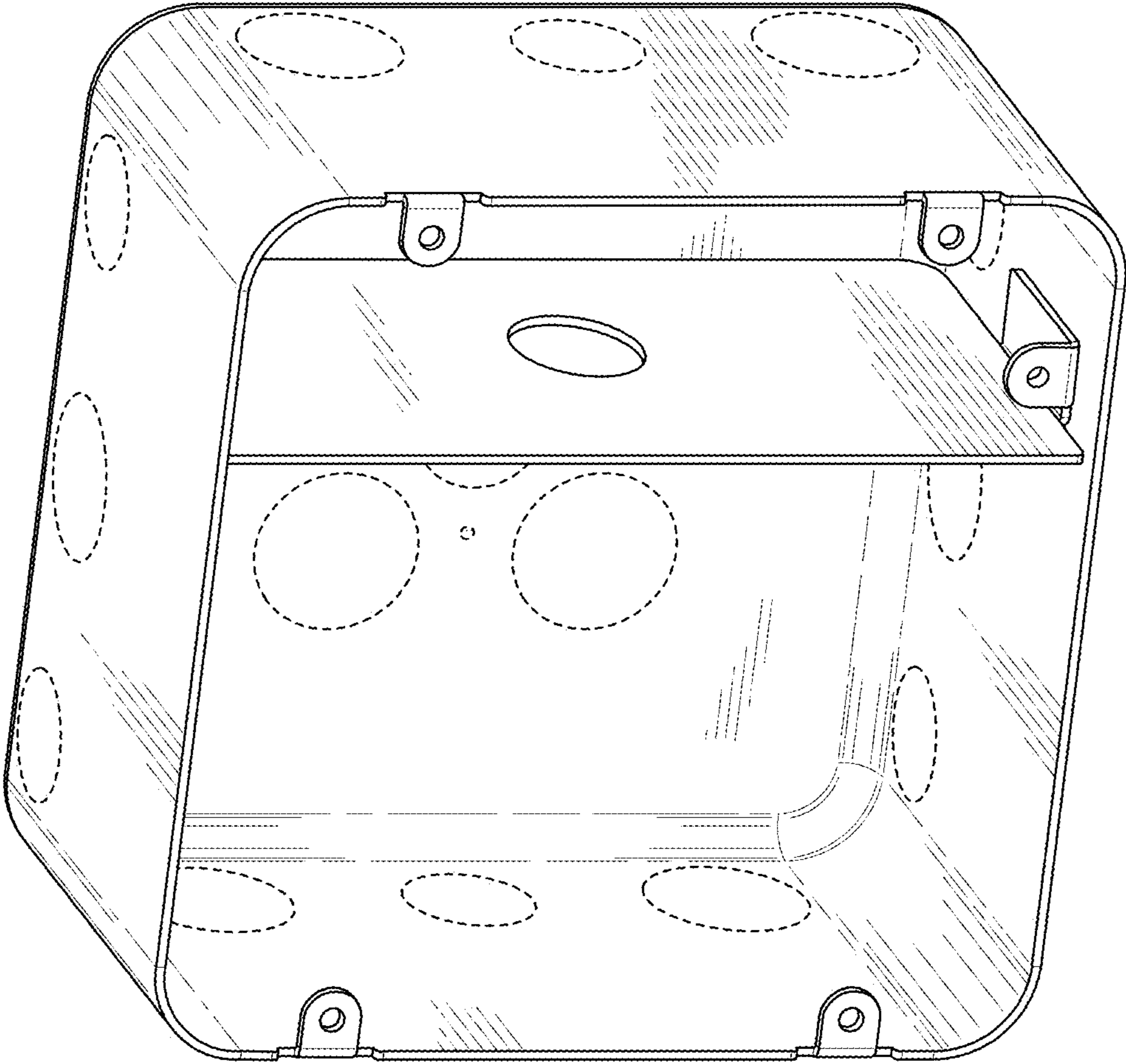


FIG. 3

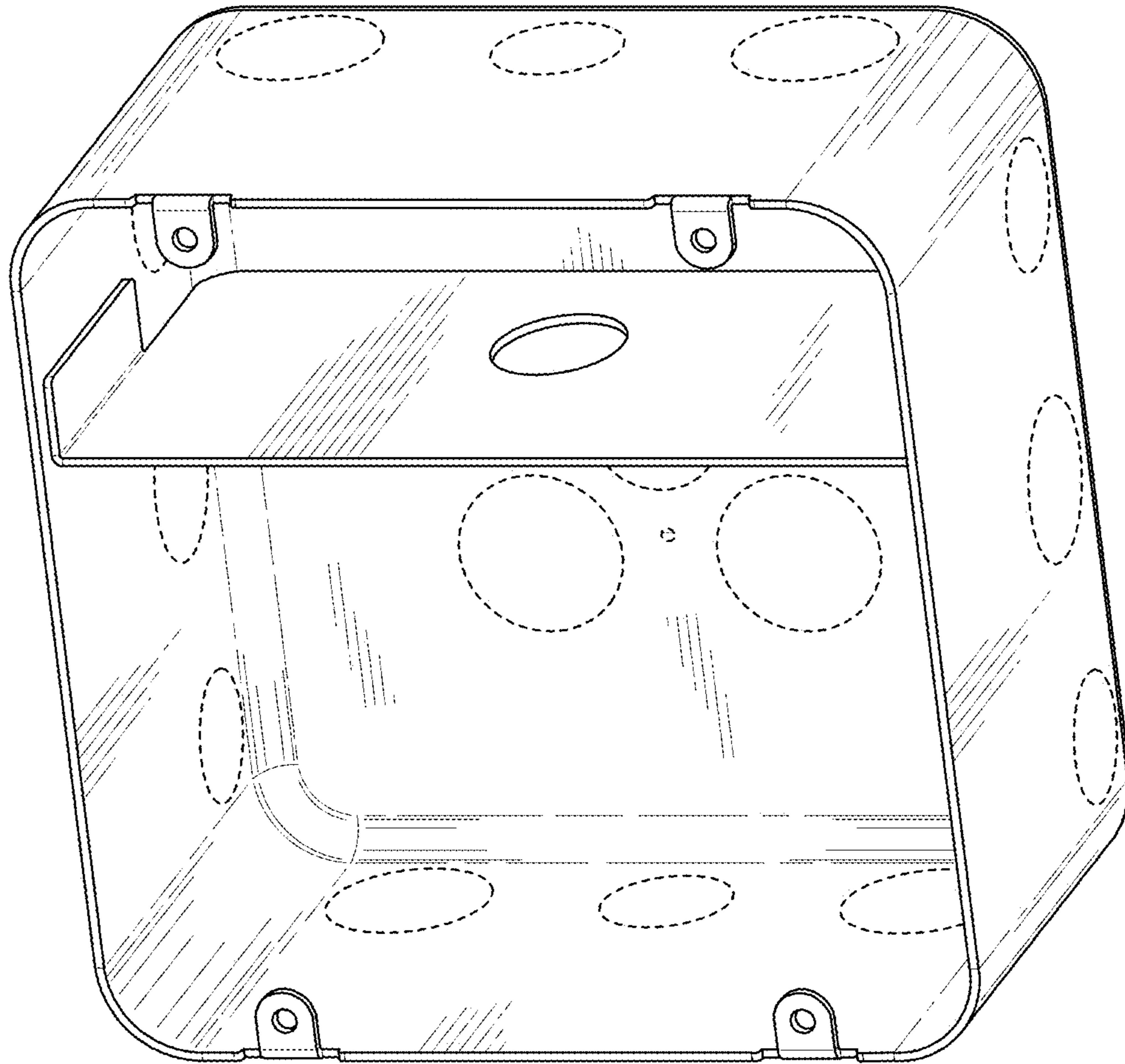


FIG. 4

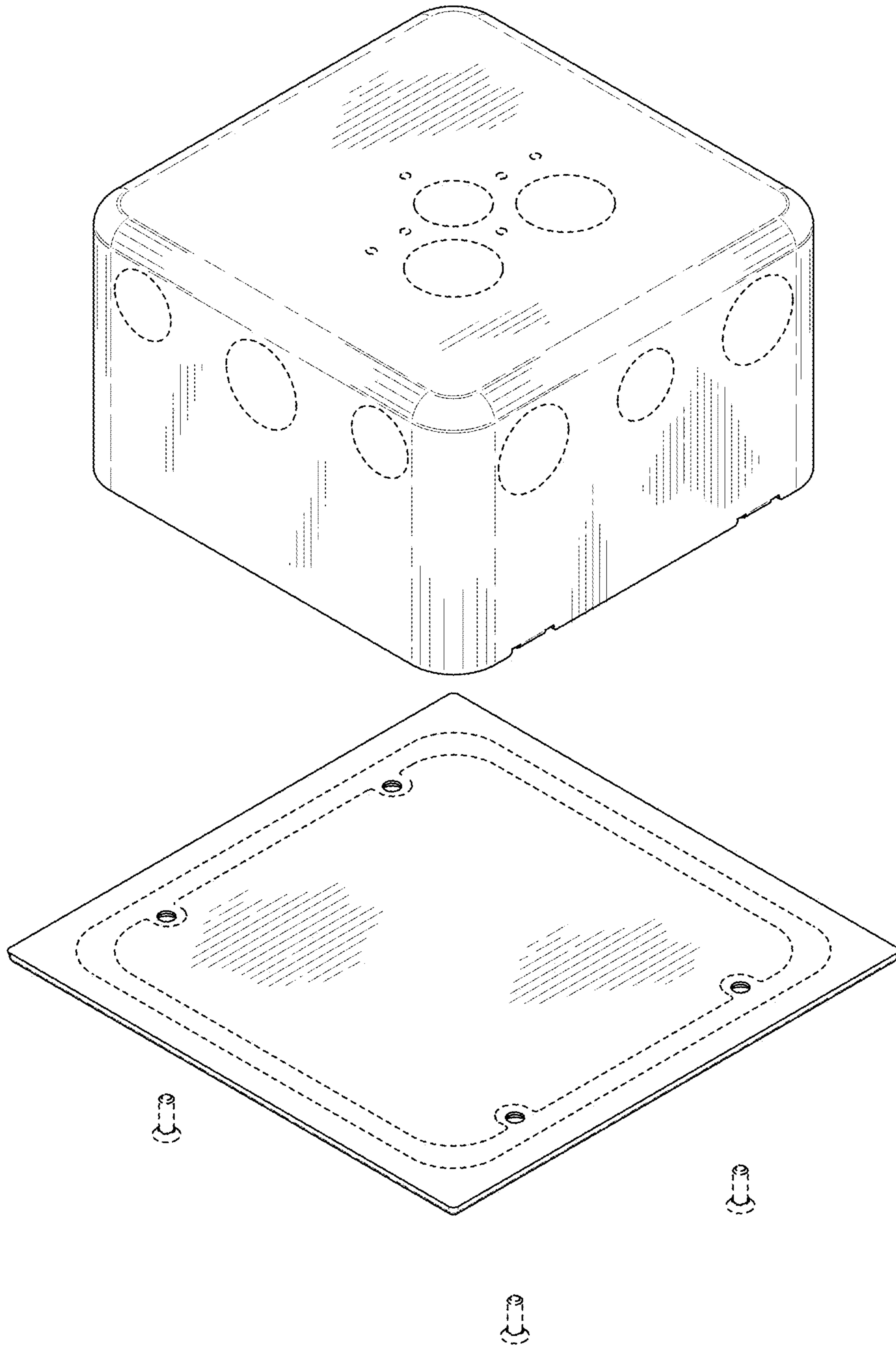


FIG. 5

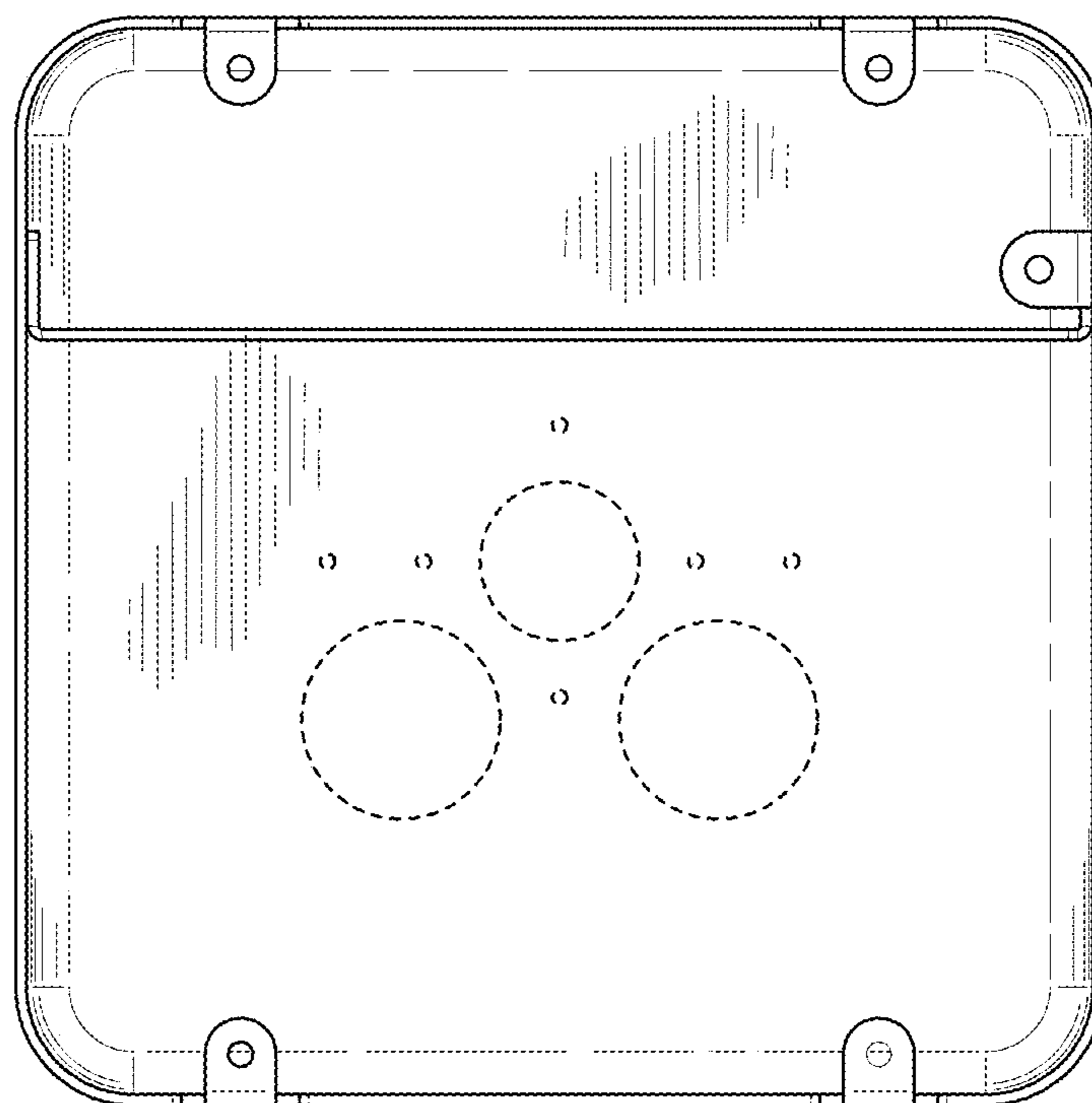
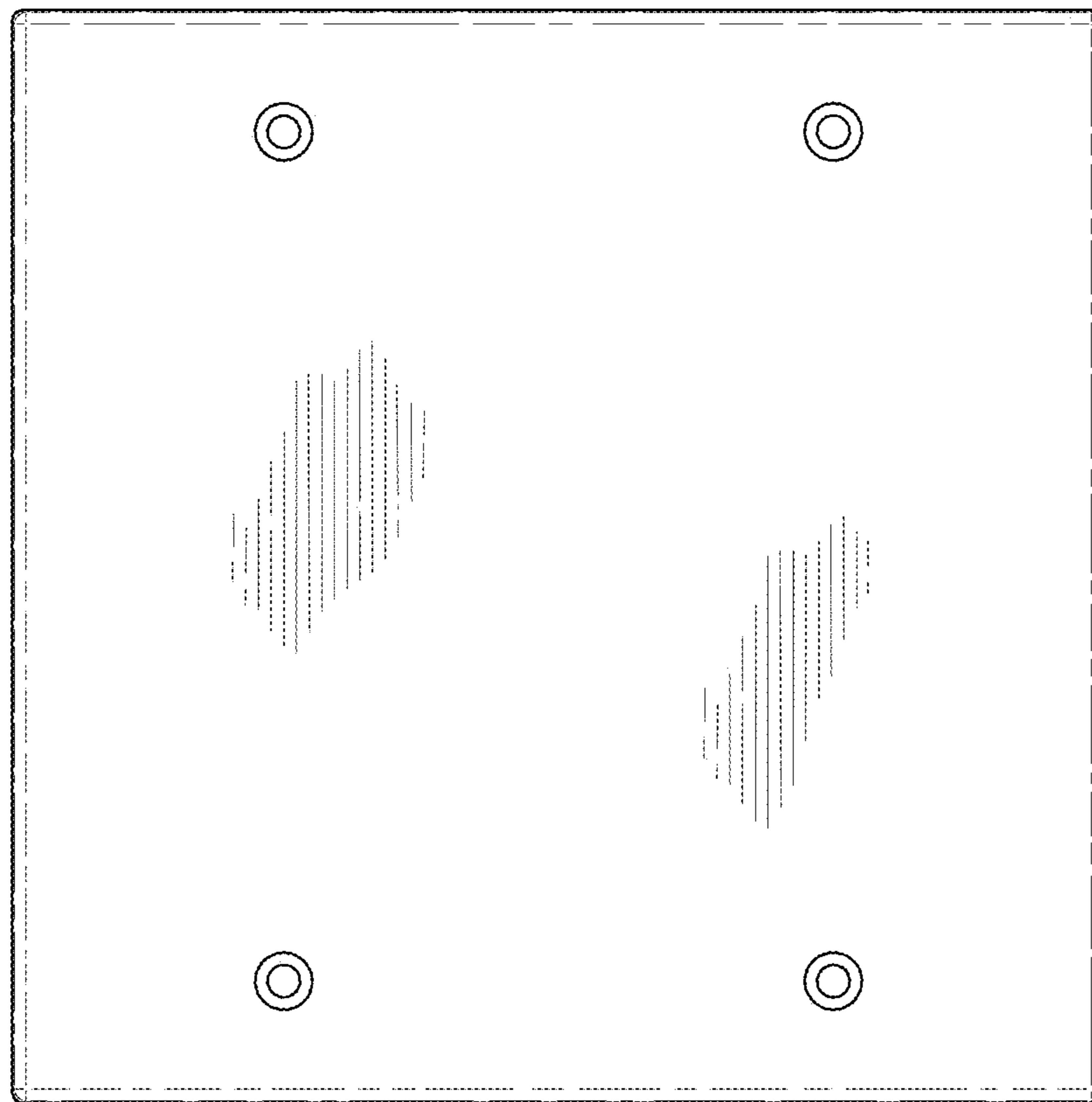
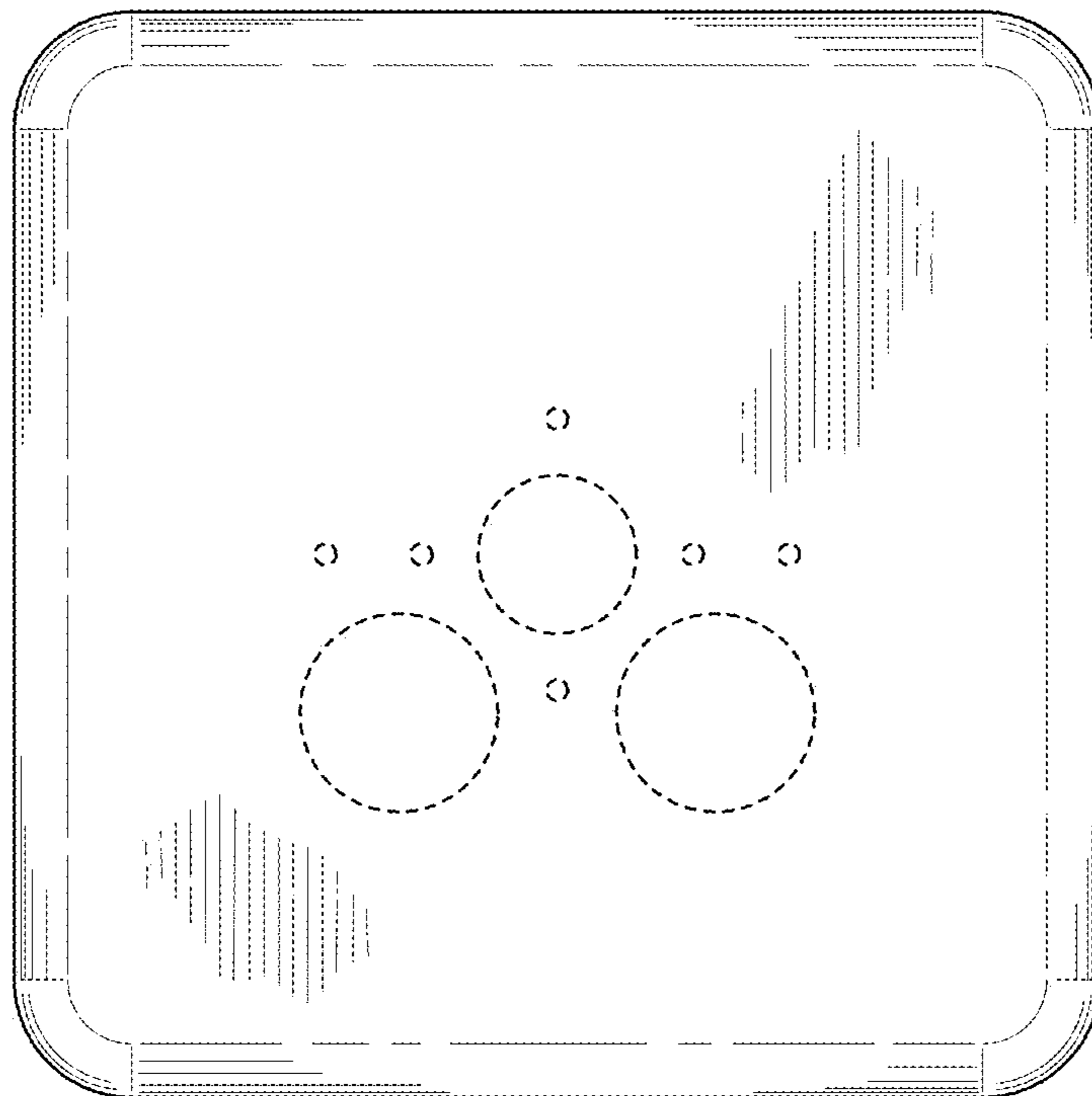
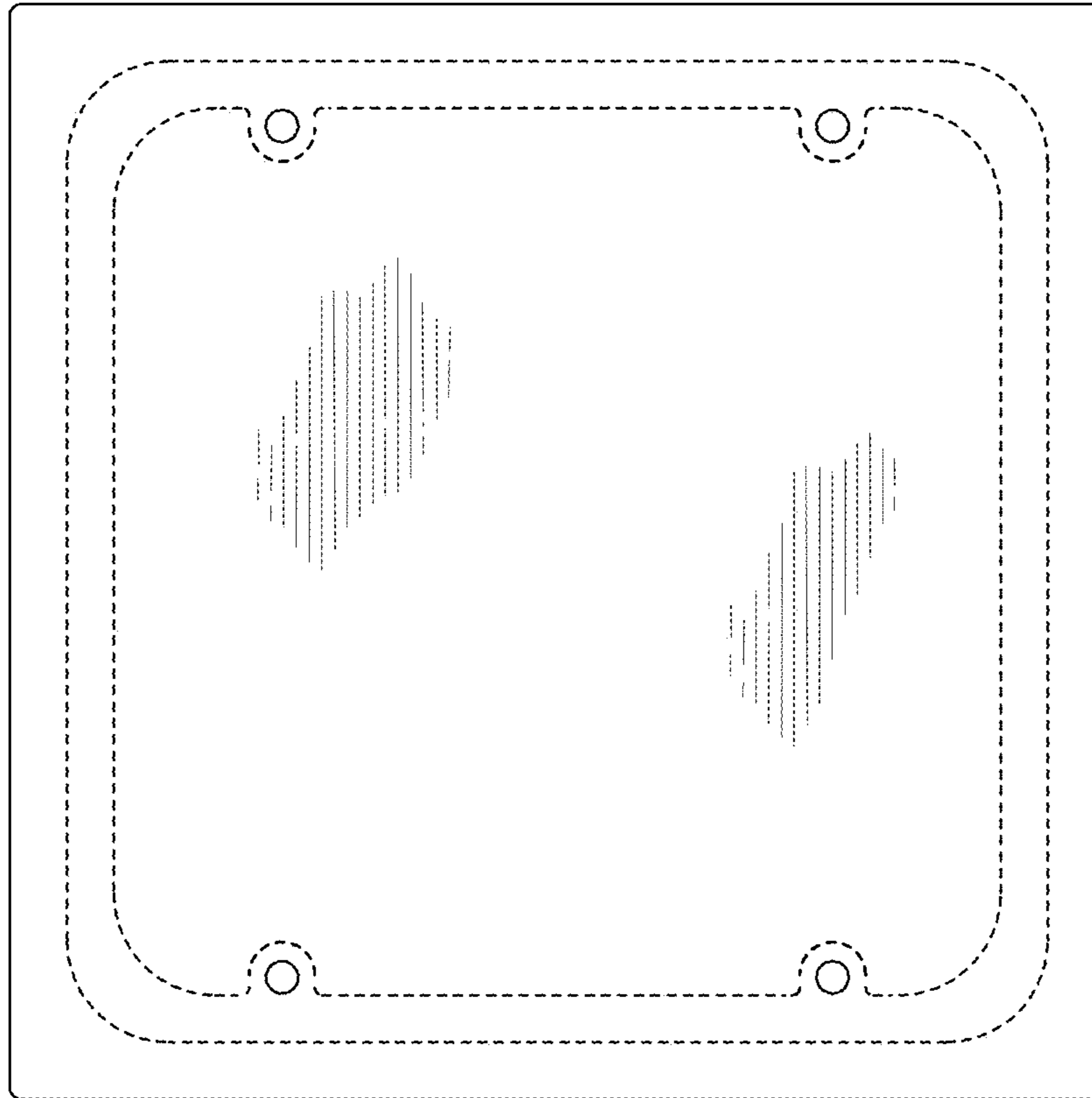
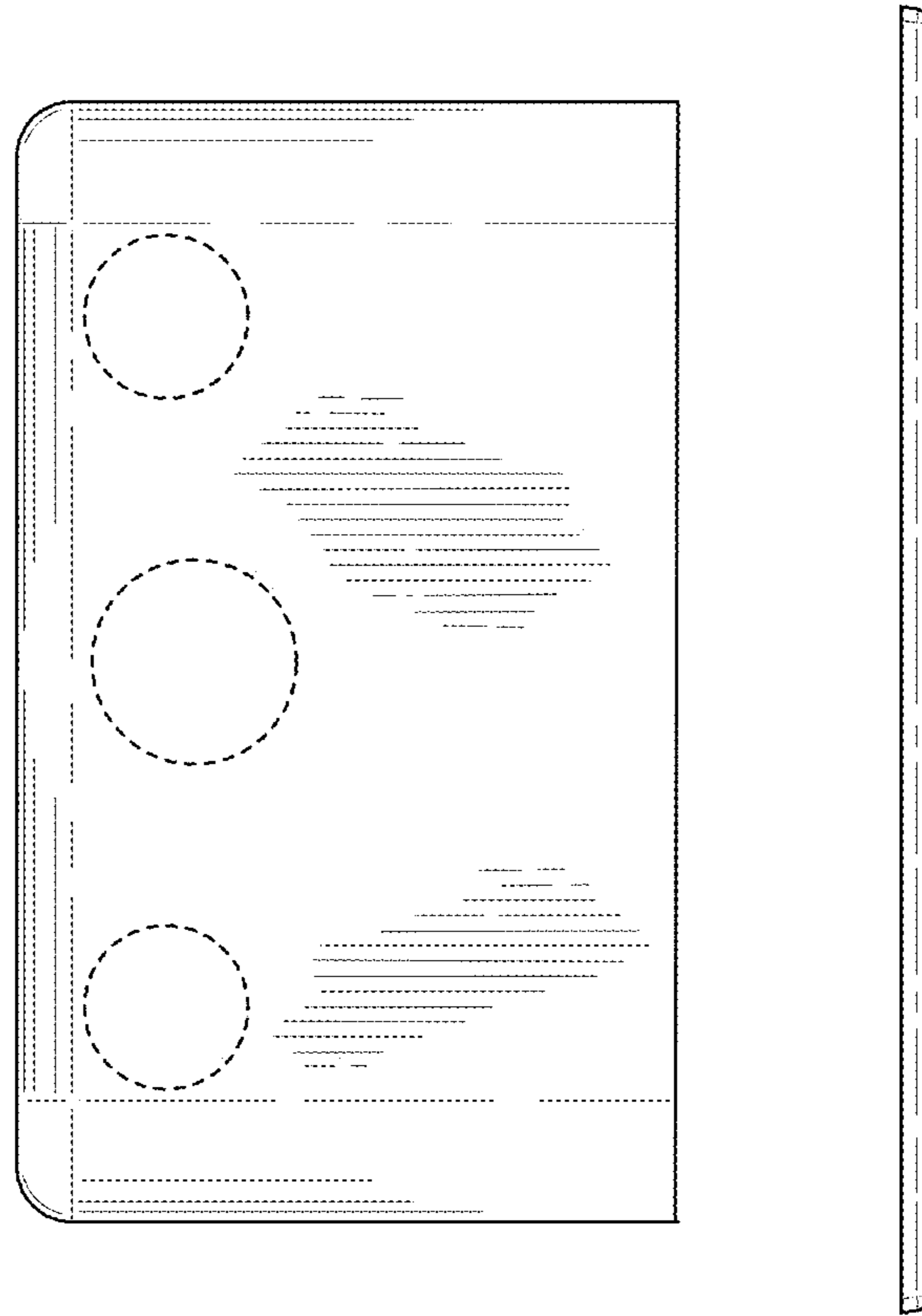


FIG. 6

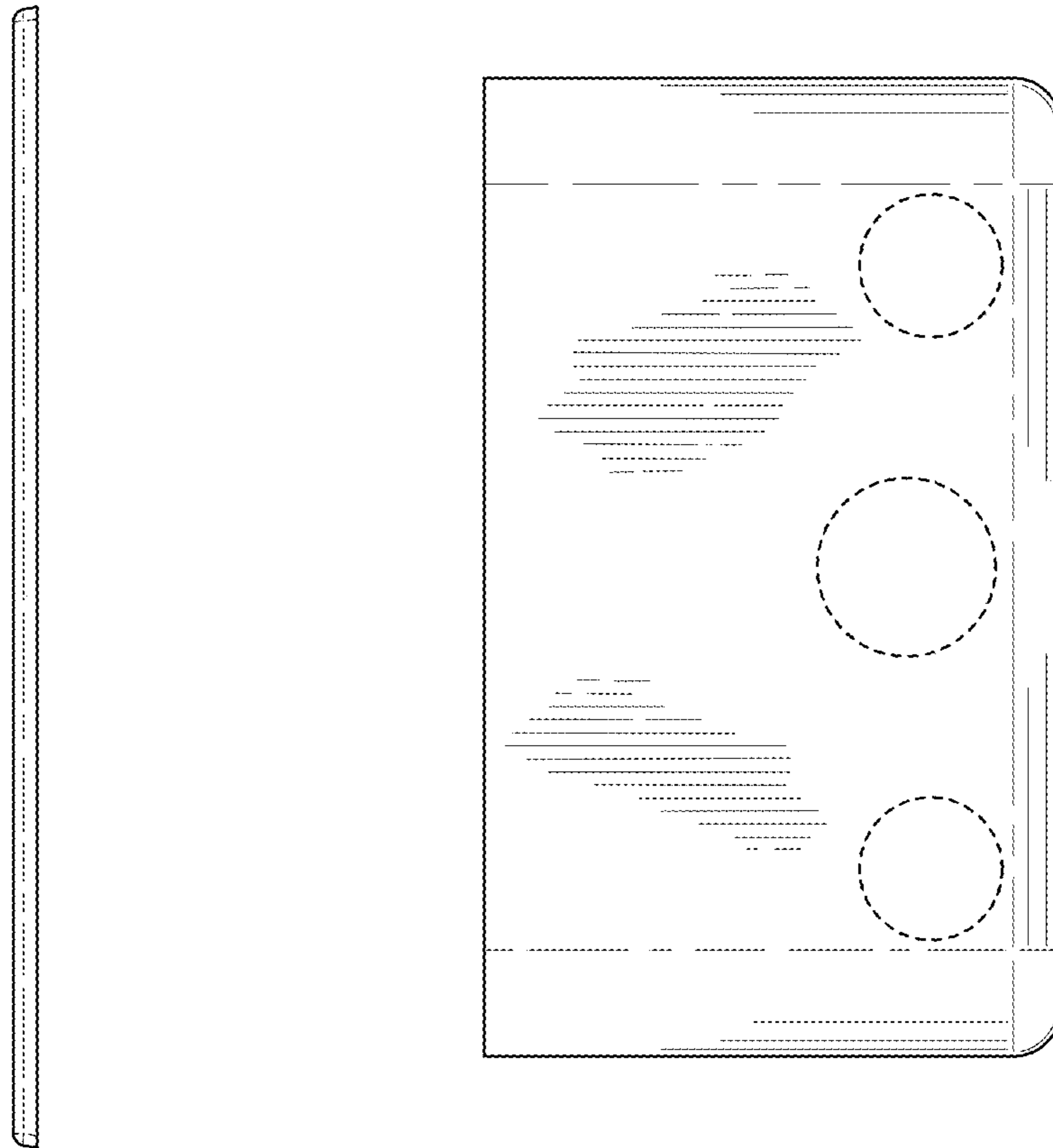




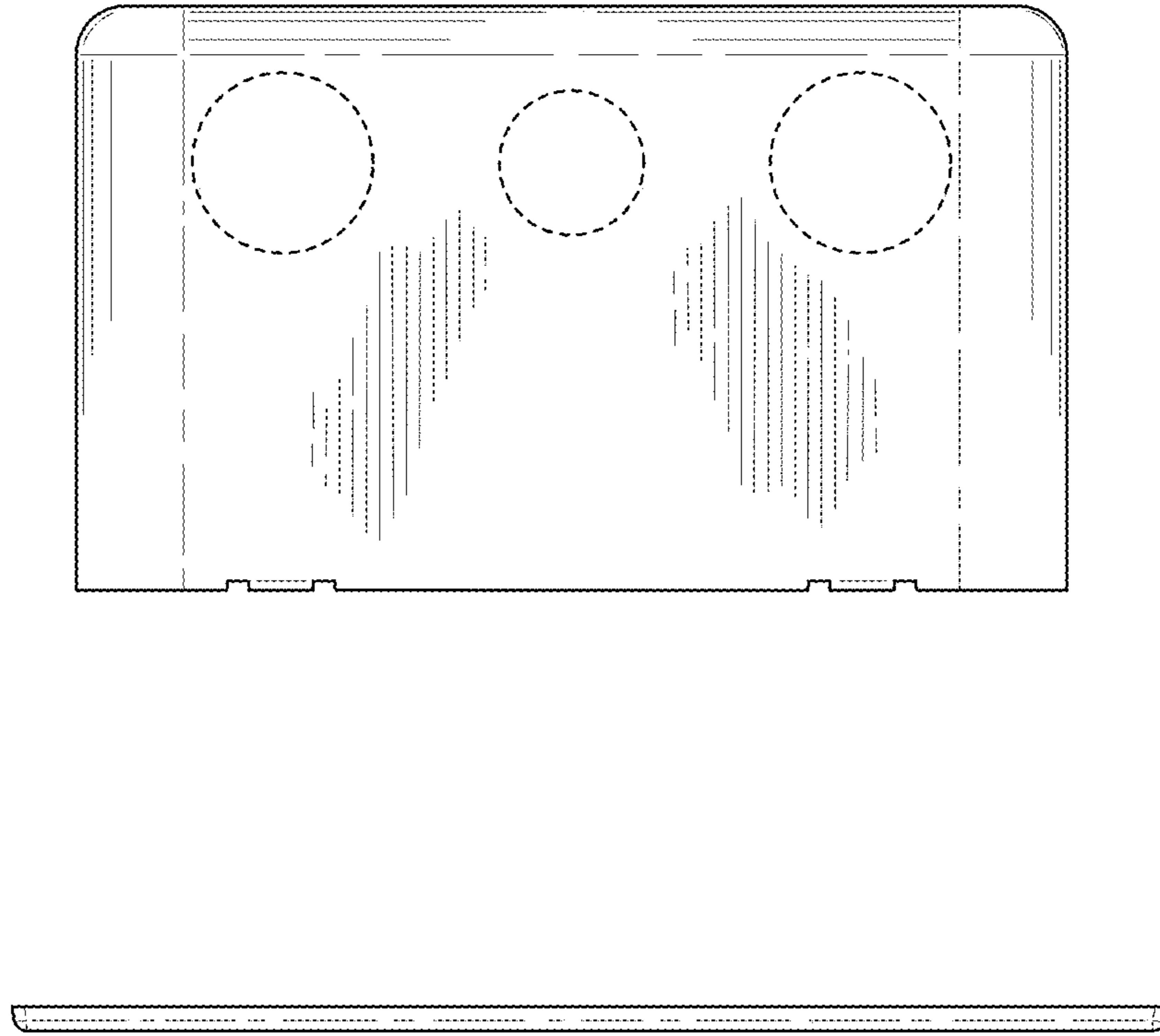
**FIG. 7**



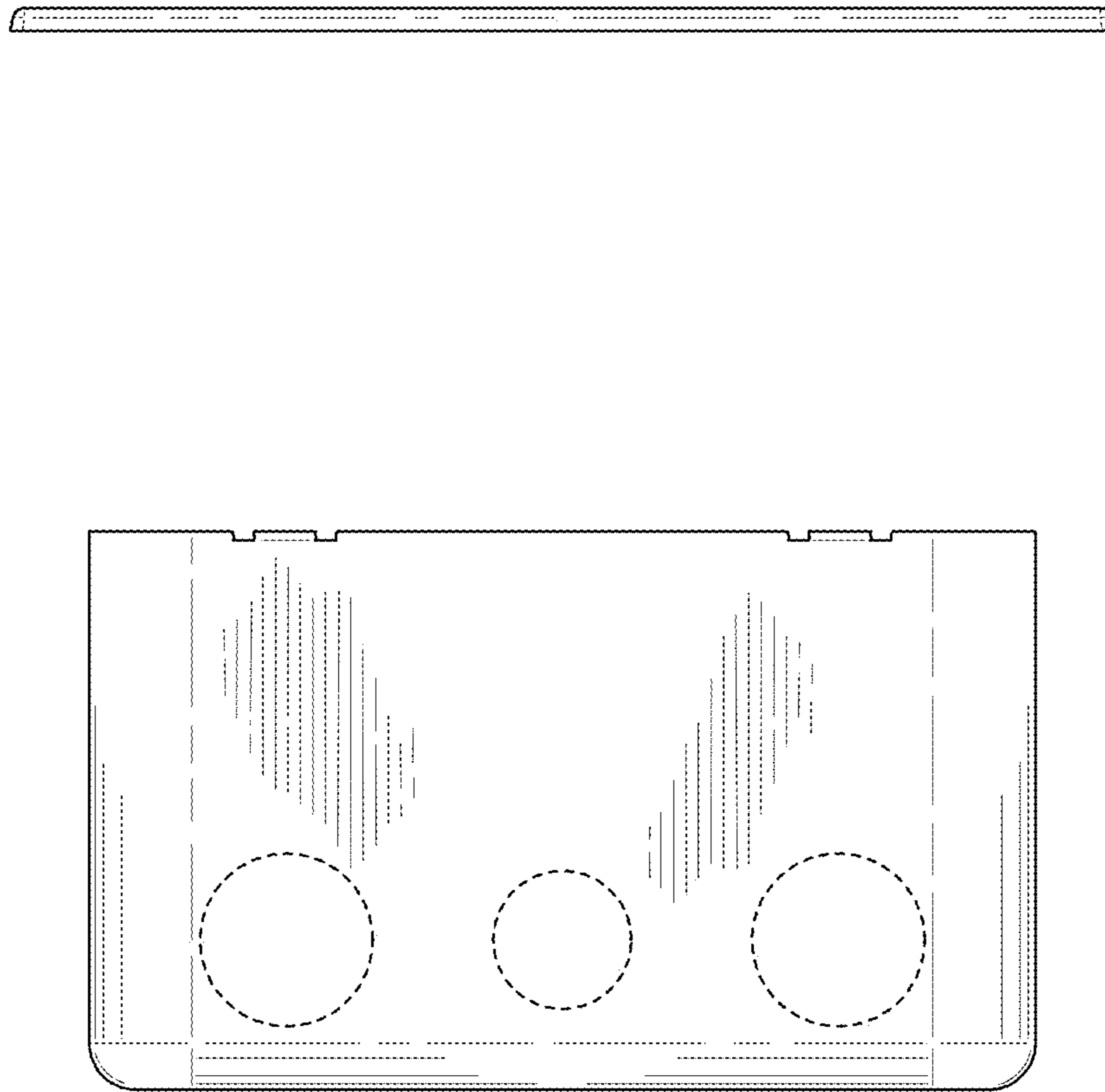
**FIG. 8**



*FIG. 9*



*FIG. 10*



**FIG. 11**