



US00D917398S

(12) **United States Design Patent** (10) **Patent No.:** **US D917,398 S**
Gouhl et al. (45) **Date of Patent:** **** Apr. 27, 2021**

(54) **GROUND FAULT CIRCUIT INTERRUPTER RECEPTACLE WITH DUAL INDICATOR LIGHTS**

D692,385 S * 10/2013 Dodal D13/139.1
D692,830 S 11/2013 Junko et al.
D703,139 S 4/2014 Dodal et al.
D744,423 S 12/2015 Junko et al.

(Continued)

(71) Applicant: **Eaton Intelligent Power Limited**,
Dublin (IE)

(72) Inventors: **Erik J. Gouhl**, Fayetteville, GA (US);
Luis F. Salas, Fayetteville, GA (US);
HongZhi Zhou, Dongguan (CN)

(73) Assignee: **Eaton Intelligent Power Limited**,
Dublin (IE)

(**) Term: **15 Years**

(21) Appl. No.: **29/656,697**

(22) Filed: **Jul. 16, 2018**

OTHER PUBLICATIONS

Eaton "Self-test GFCI receptacles" product description, (2 pages)
(Nov. 2014).

Primary Examiner — Rhea Shields

(74) *Attorney, Agent, or Firm* — Myers Bigel, P.A.

(57) **CLAIM**

The ornamental design for a ground fault circuit interrupter receptacle with dual indicator lights, as shown and described.

DESCRIPTION

FIG. 1 is a front view of a ground fault circuit interrupter receptacle with dual indicator lights, showing our new design;

FIG. 2 is a side perspective view thereof;

FIG. 3 is an opposing side perspective view thereof;

FIG. 4 is a front view thereof;

FIG. 5 is a side view thereof;

FIG. 6 is an opposing side view thereof;

FIG. 7 is another front view of a ground fault circuit interrupter receptacle with dual indicator lights, showing our new design;

FIG. 8 is a side perspective view thereof;

FIG. 9 is an opposing side perspective view thereof;

FIG. 10 is a front view thereof;

FIG. 11 is a side view thereof; and,

FIG. 12 is an opposing side view thereof.

In the drawings, the broken lines are for the purpose of illustrating portions of the ground fault circuit interrupter receptacle with dual indicator lights that form no part of the claimed design.

Related U.S. Application Data

(62) Division of application No. 29/538,777, filed on Sep. 8, 2015, now Pat. No. Des. 826,861.

(51) **LOC (13) Cl.** **13-03**

(52) **U.S. Cl.**
USPC **D13/139.3**

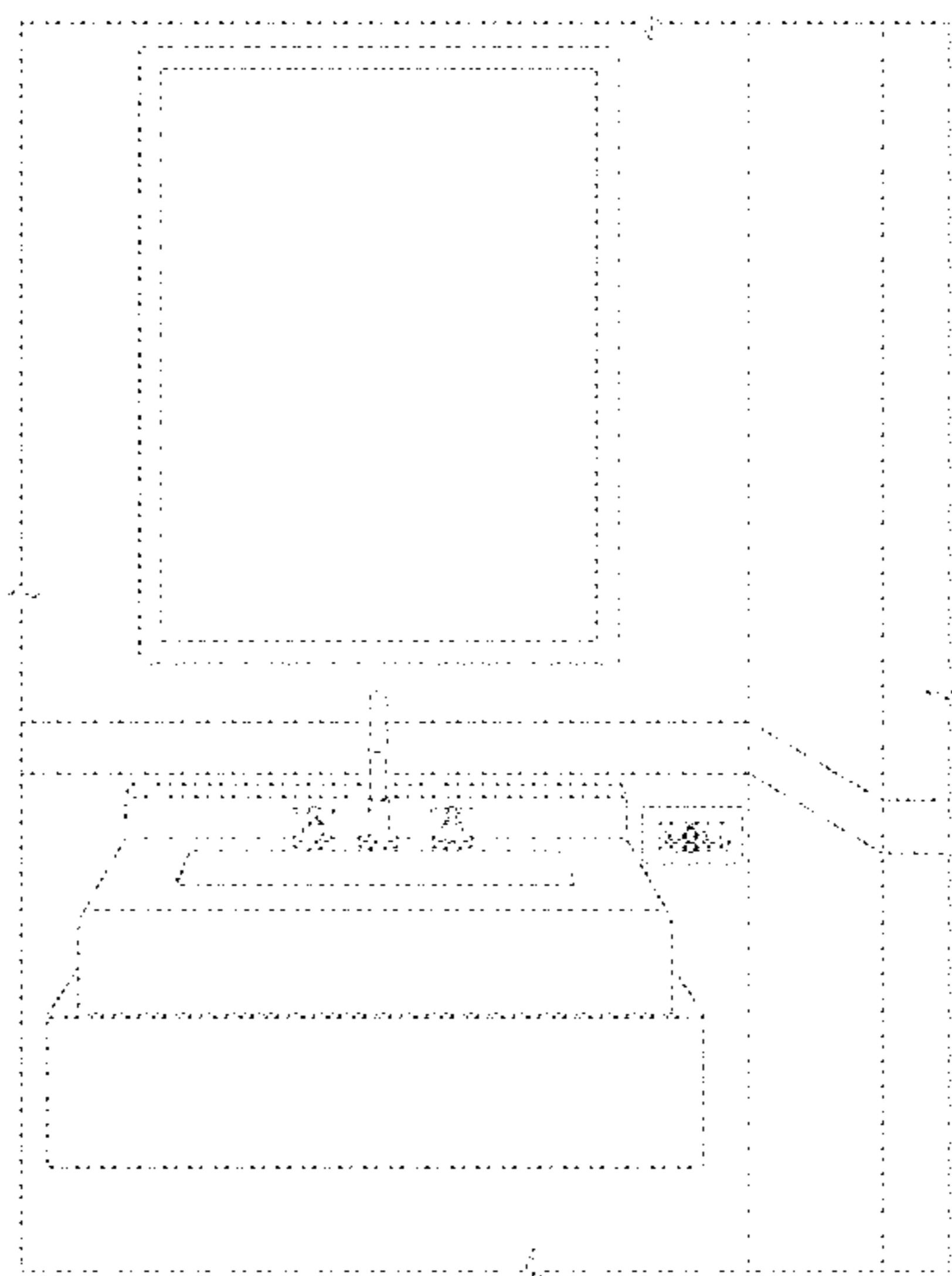
(58) **Field of Classification Search**
USPC D13/139.1-139.8, 137.1-137.3, 169
CPC H01H 83/144
See application file for complete search history.

(56) **References Cited**

U.S. PATENT DOCUMENTS

4,802,052 A	1/1989	Brant et al.	
D430,539 S	9/2000	Leopold et al.	
6,515,564 B2	2/2003	Leopold et al.	
D512,021 S *	11/2005	Fort	D13/139.6
D521,932 S	5/2006	Fort et al.	
D531,121 S *	10/2006	Fort	D13/139.3
D536,305 S *	2/2007	Fort	D13/139.6
D537,413 S *	2/2007	Fort	D13/139.6
D598,859 S *	8/2009	Vaccaro	D13/139.3

1 Claim, 8 Drawing Sheets



(56)

References Cited

U.S. PATENT DOCUMENTS

D777,673	S *	1/2017	Gouhl	D13/139.3
D778,238	S *	2/2017	Gouhl	D13/137.3
D826,861	S *	8/2018	Gouhl	D13/139.3
D832,799	S *	11/2018	Lacey	D13/169
D840,348	S *	2/2019	Weeks	D13/139.6
D851,042	S *	6/2019	Pan	D13/139.1
D878,298	S *	3/2020	Pan	D13/139.3
D884,643	S *	5/2020	Kadam	D13/139.1
D887,362	S *	6/2020	Pan	D13/139.1
2008/0024942	A1 *	1/2008	Gallas	H01H 83/144 361/42
2008/0024944	A1	1/2008	Gouhl et al.		

* cited by examiner

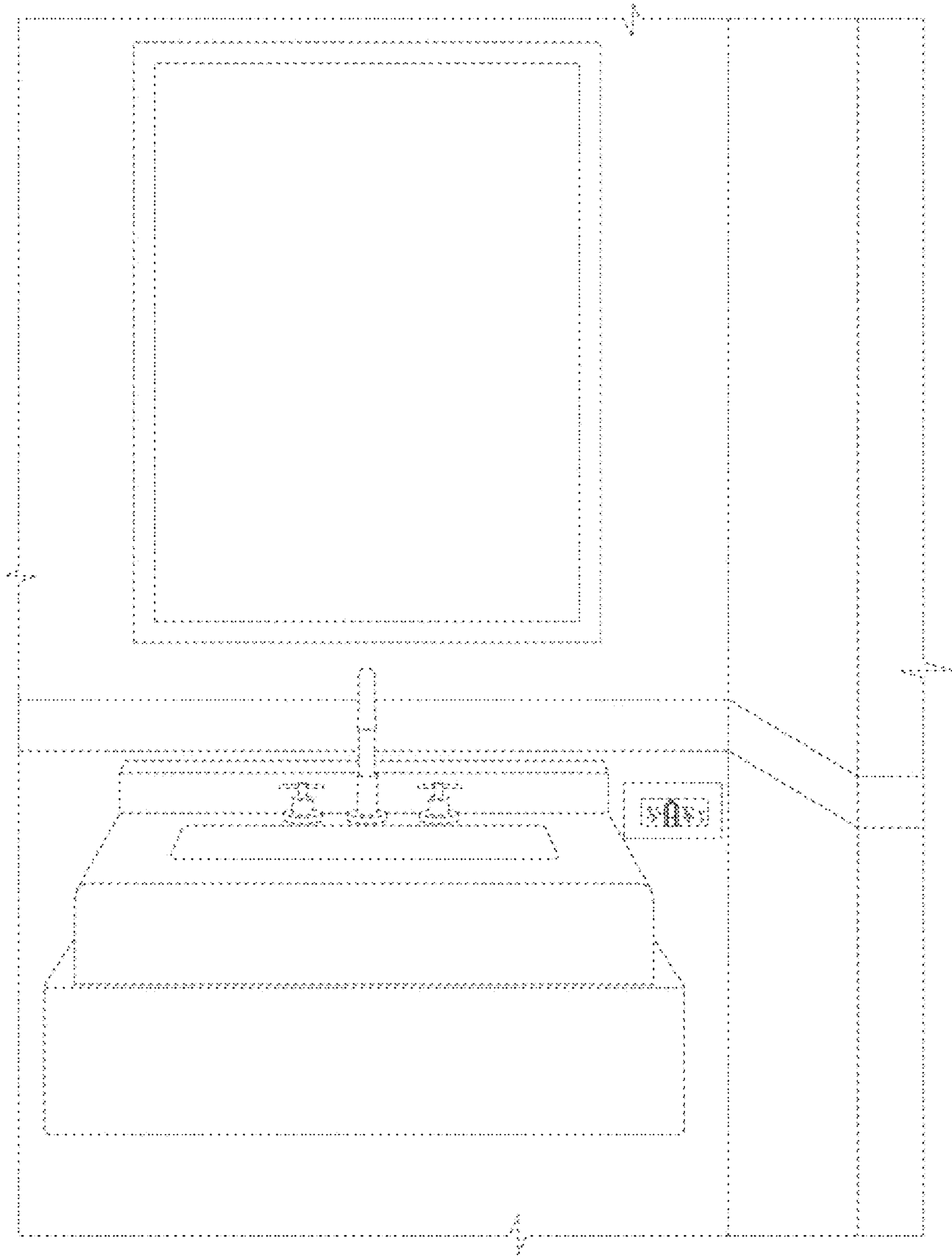


Figure 1

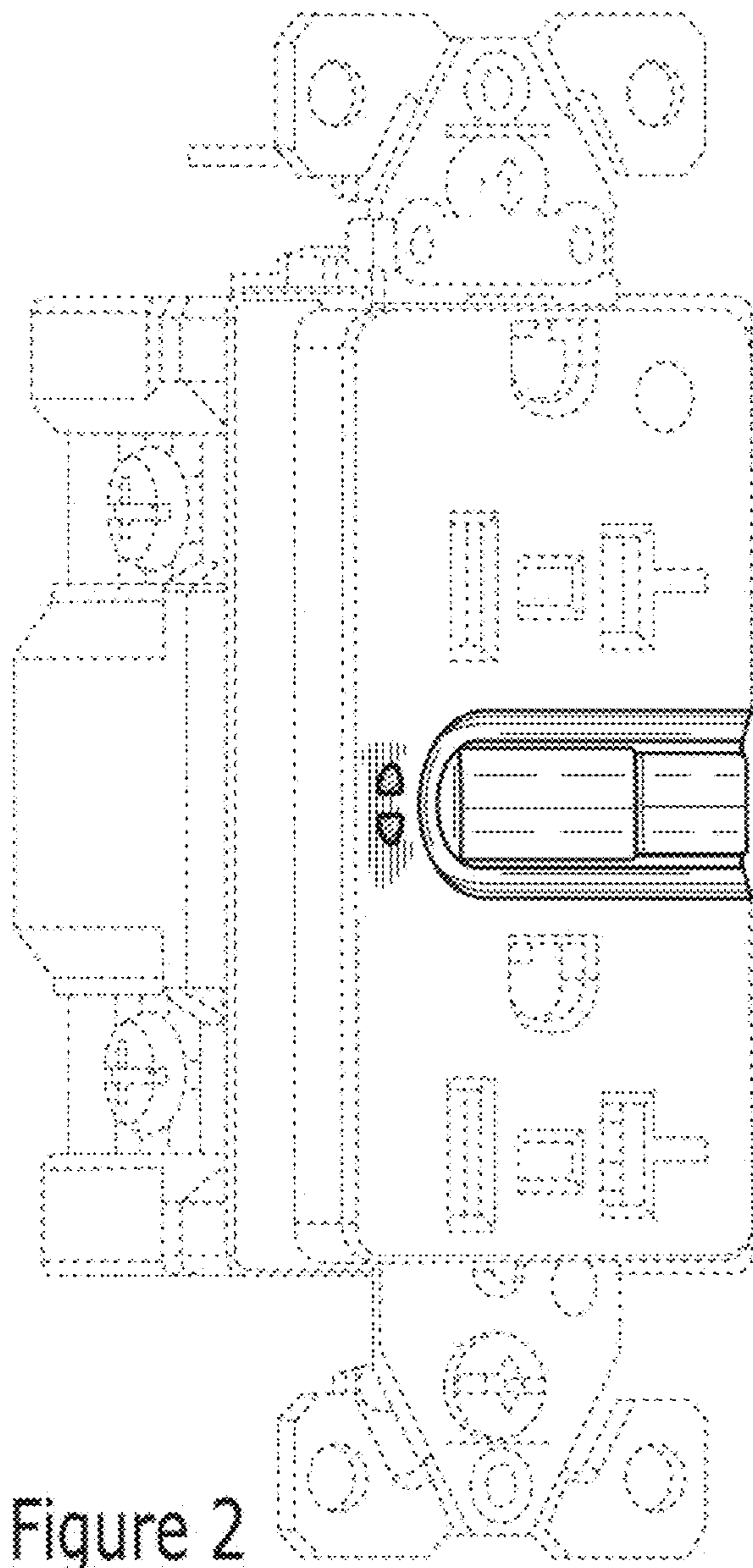


Figure 2

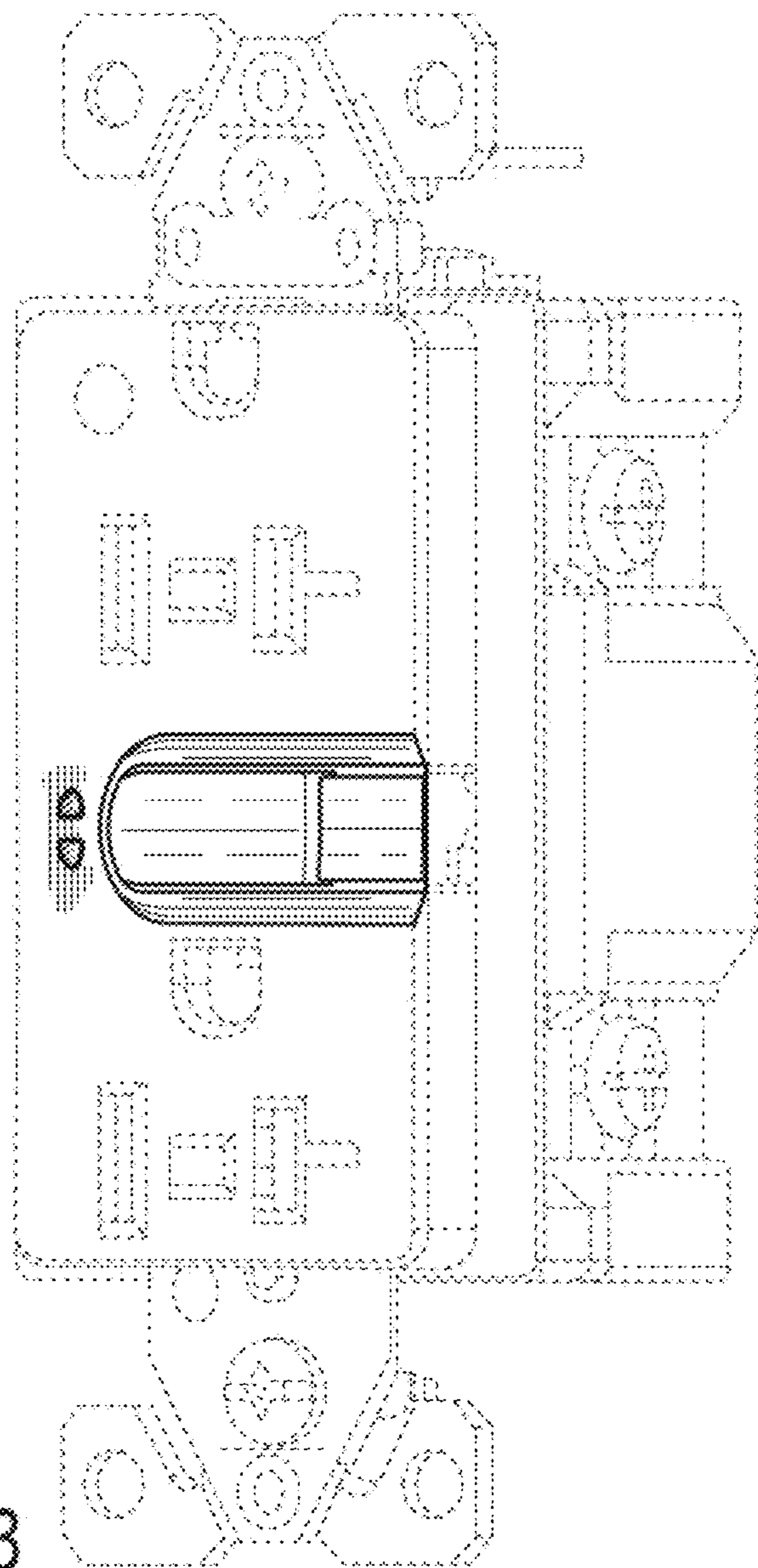


Figure 3

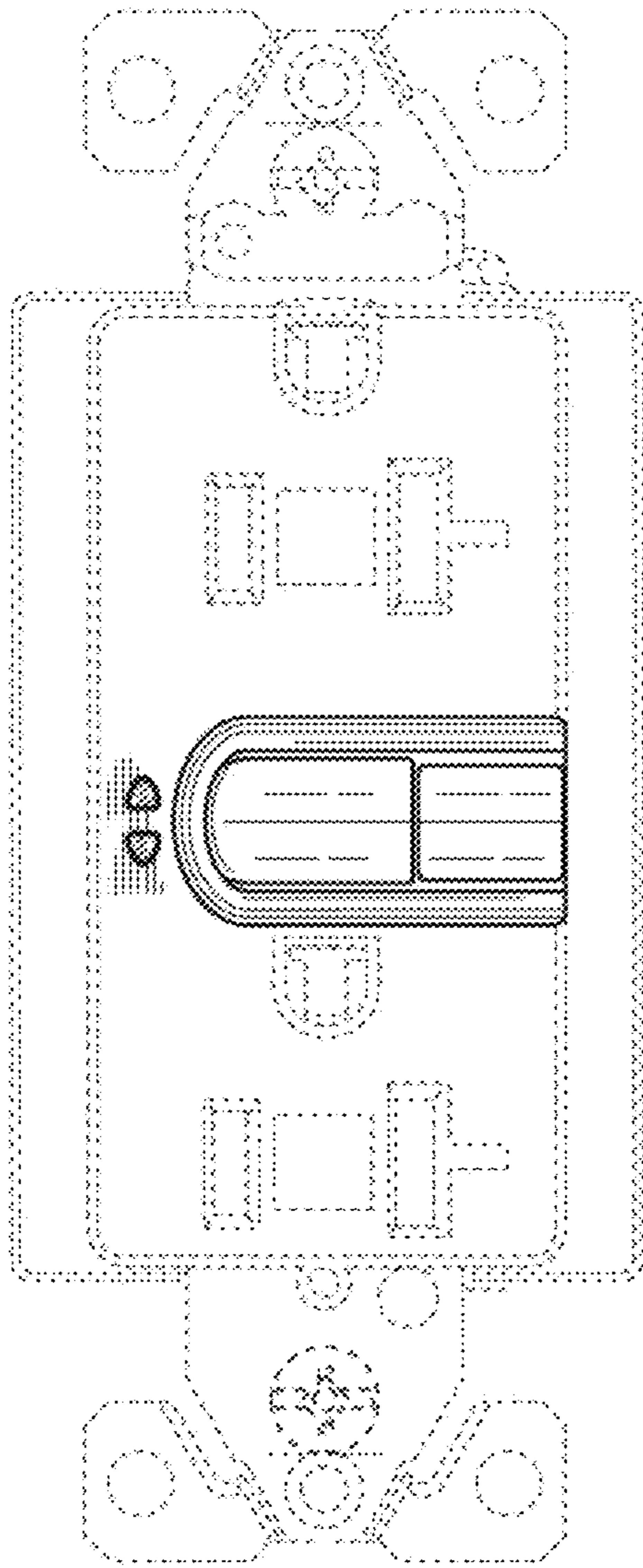


Figure 4

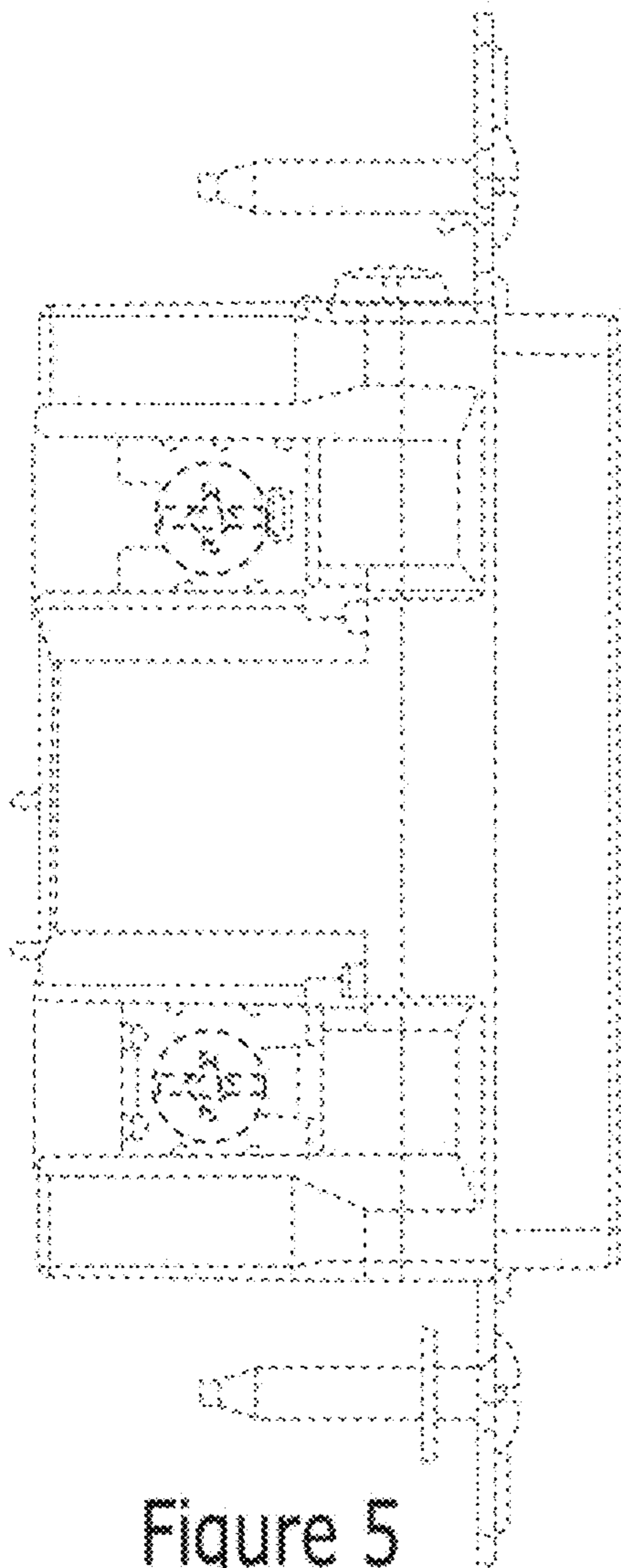


Figure 5

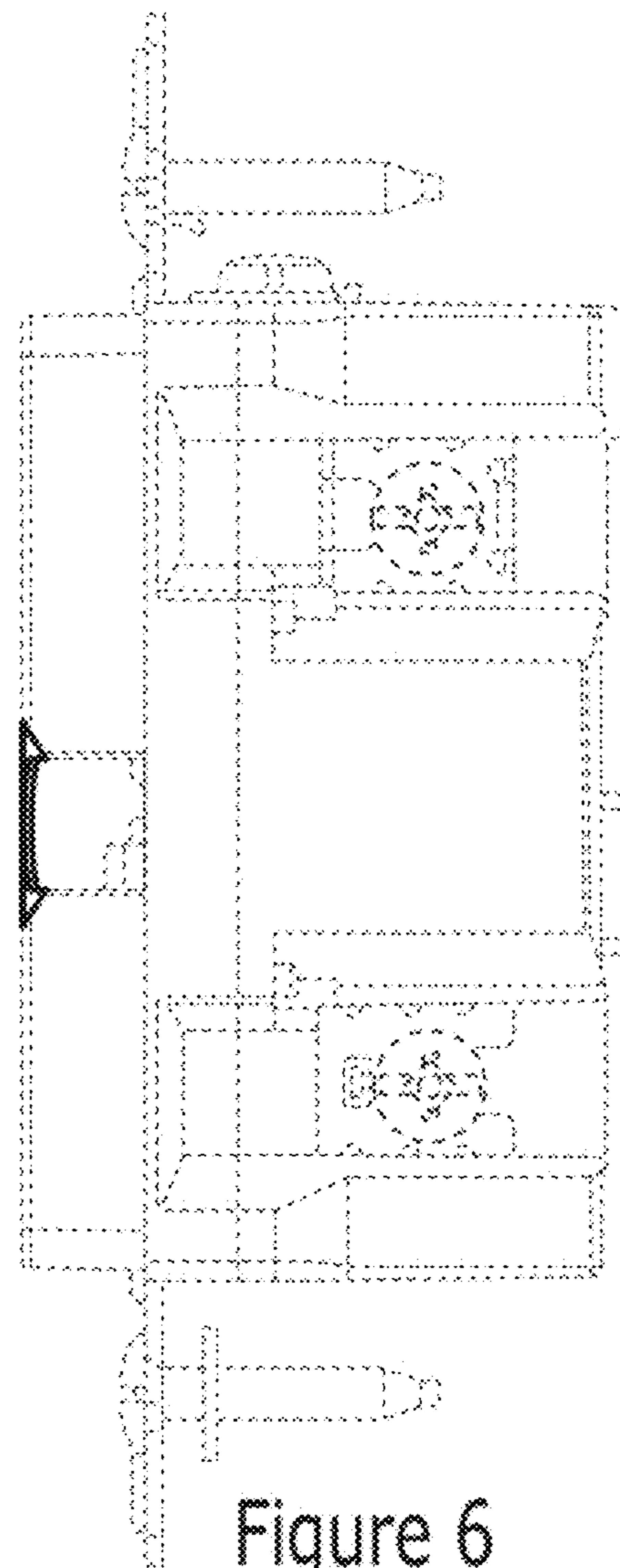


Figure 6

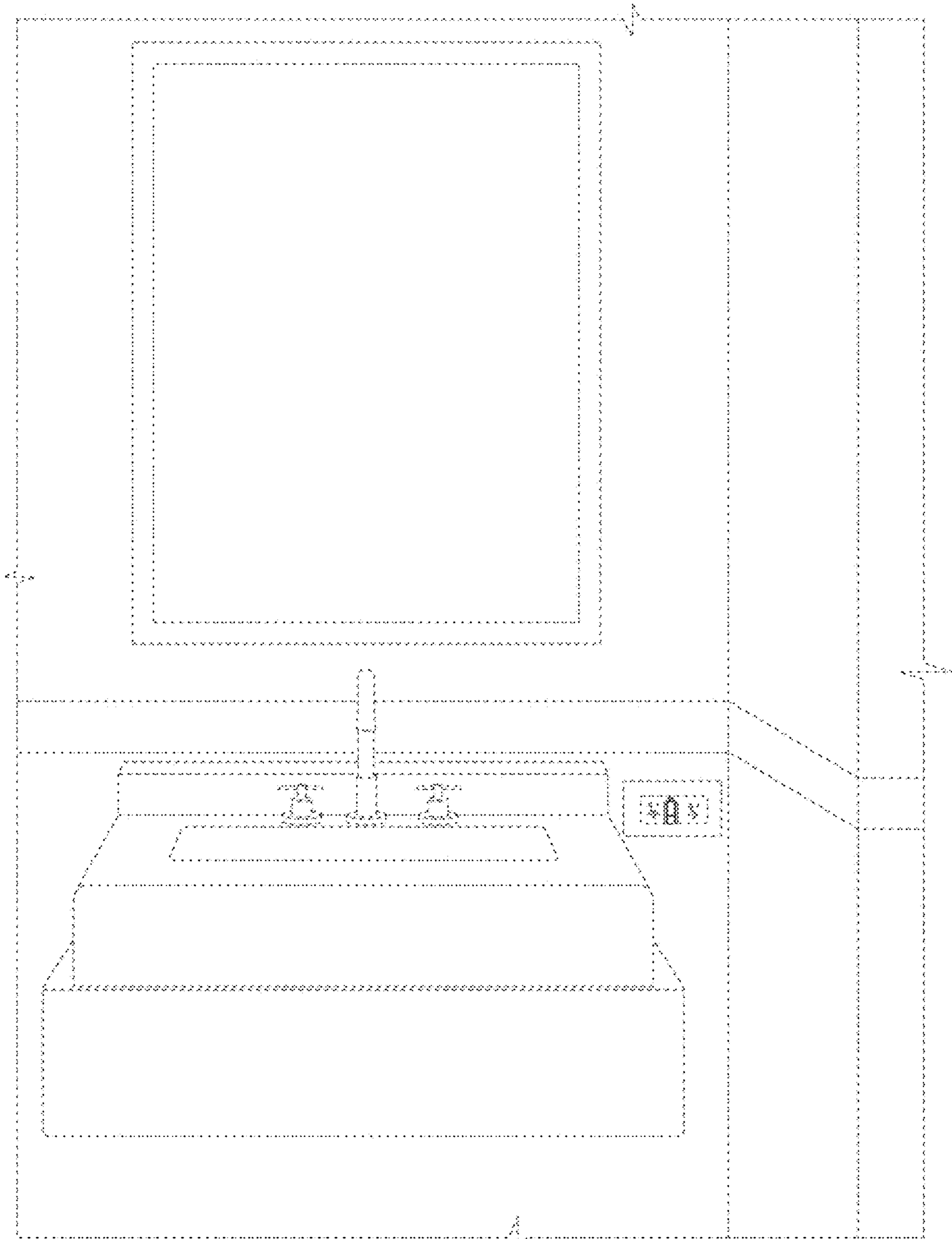


Figure 7

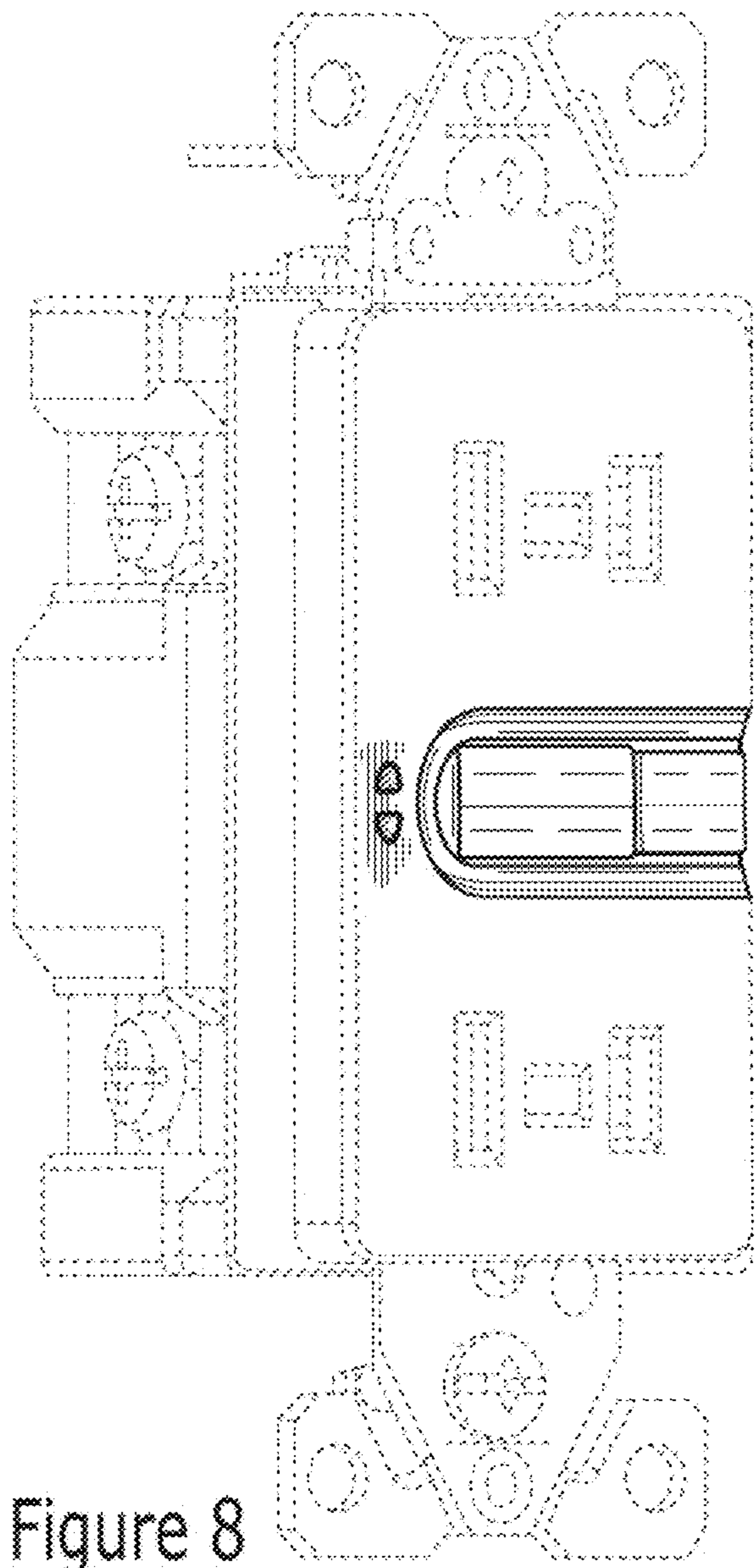


Figure 8

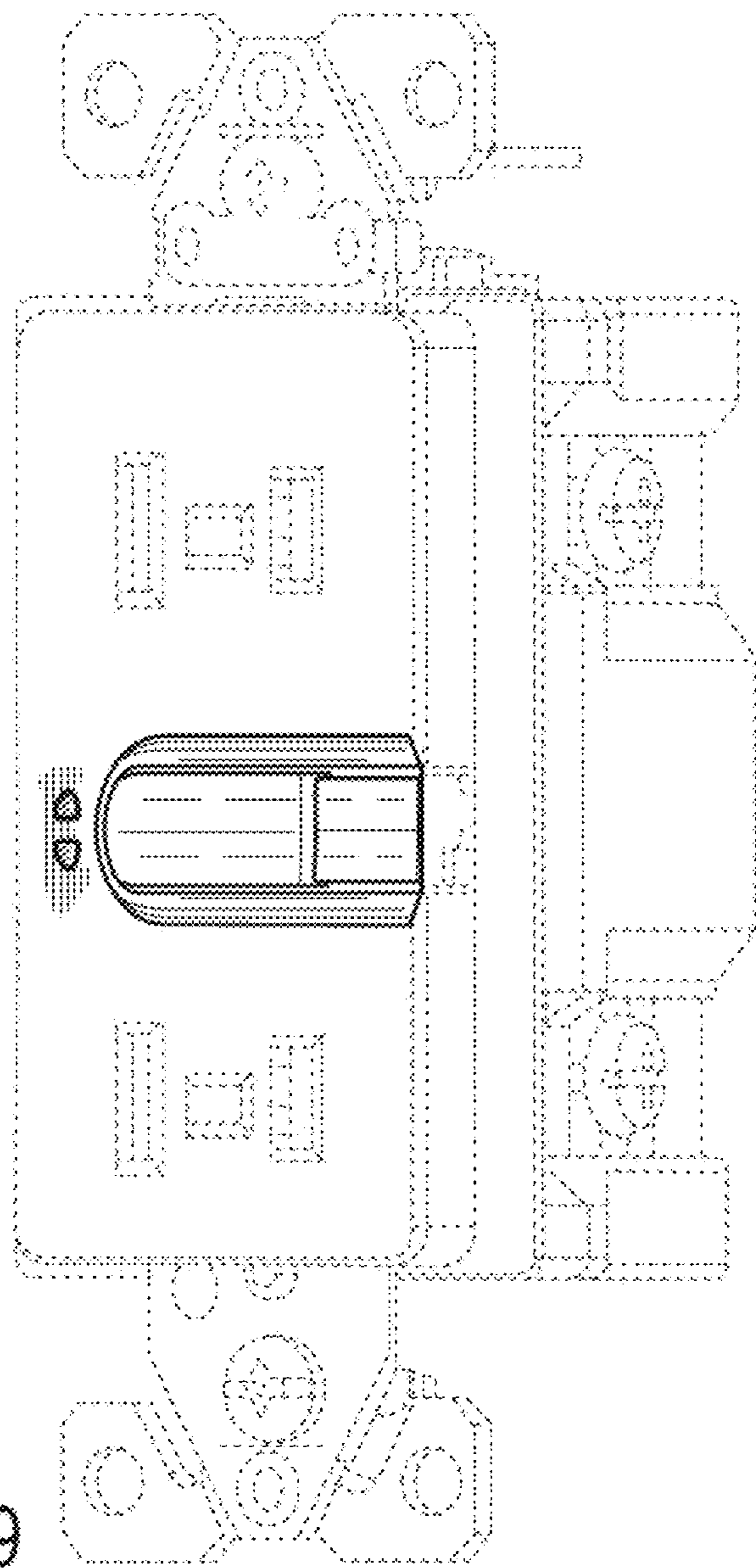


Figure 9

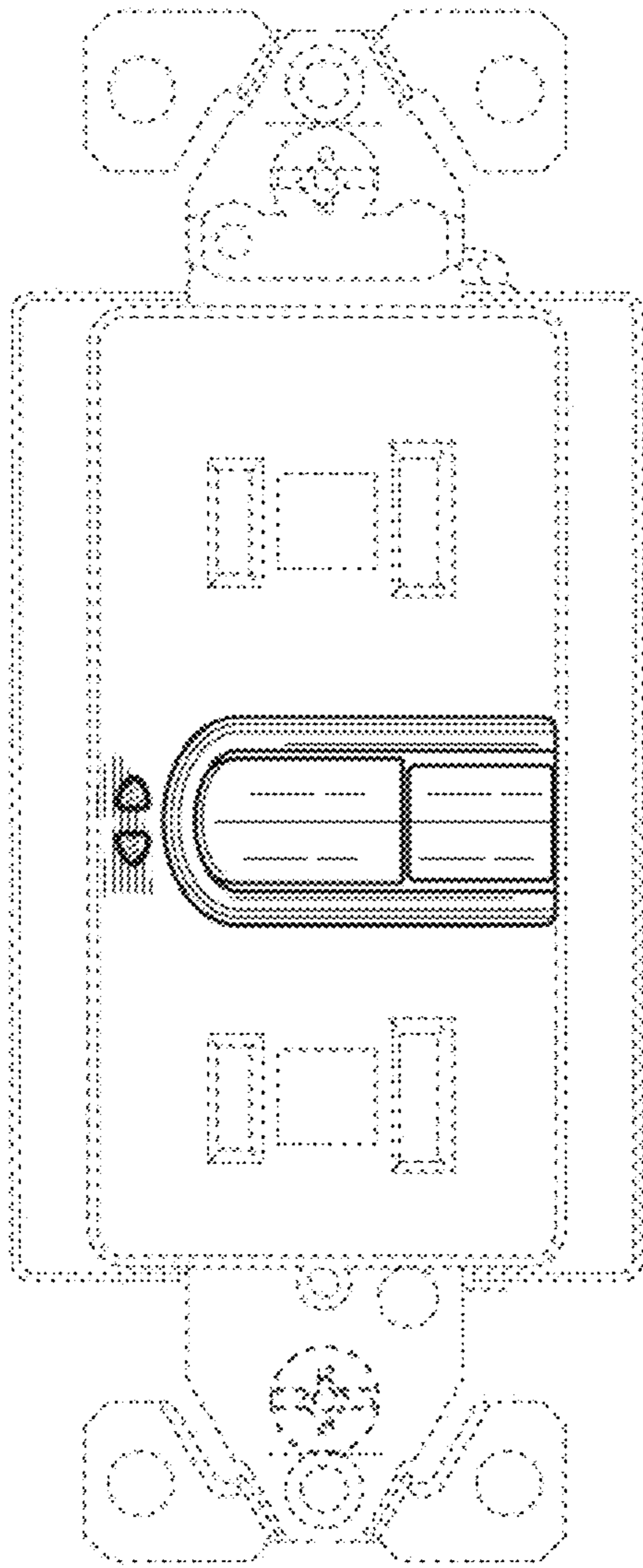


Figure 10

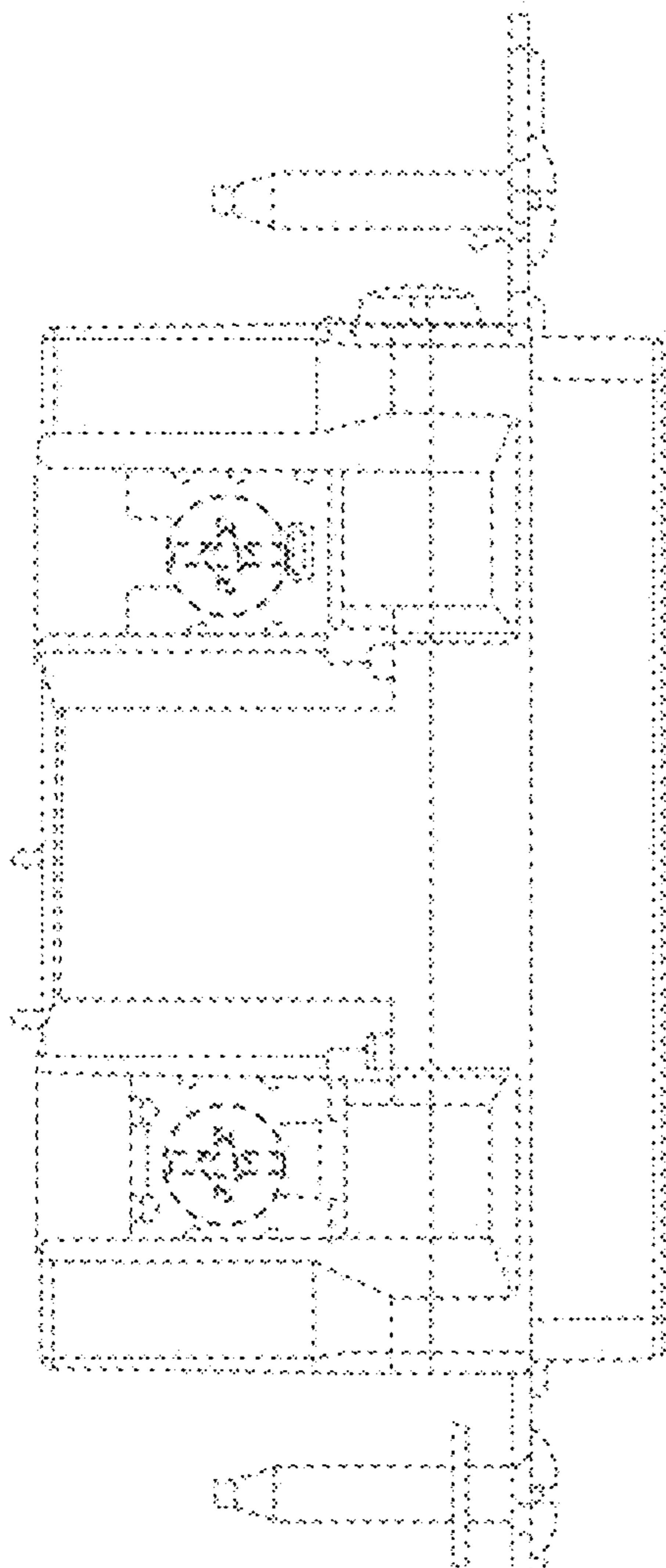


Figure 11

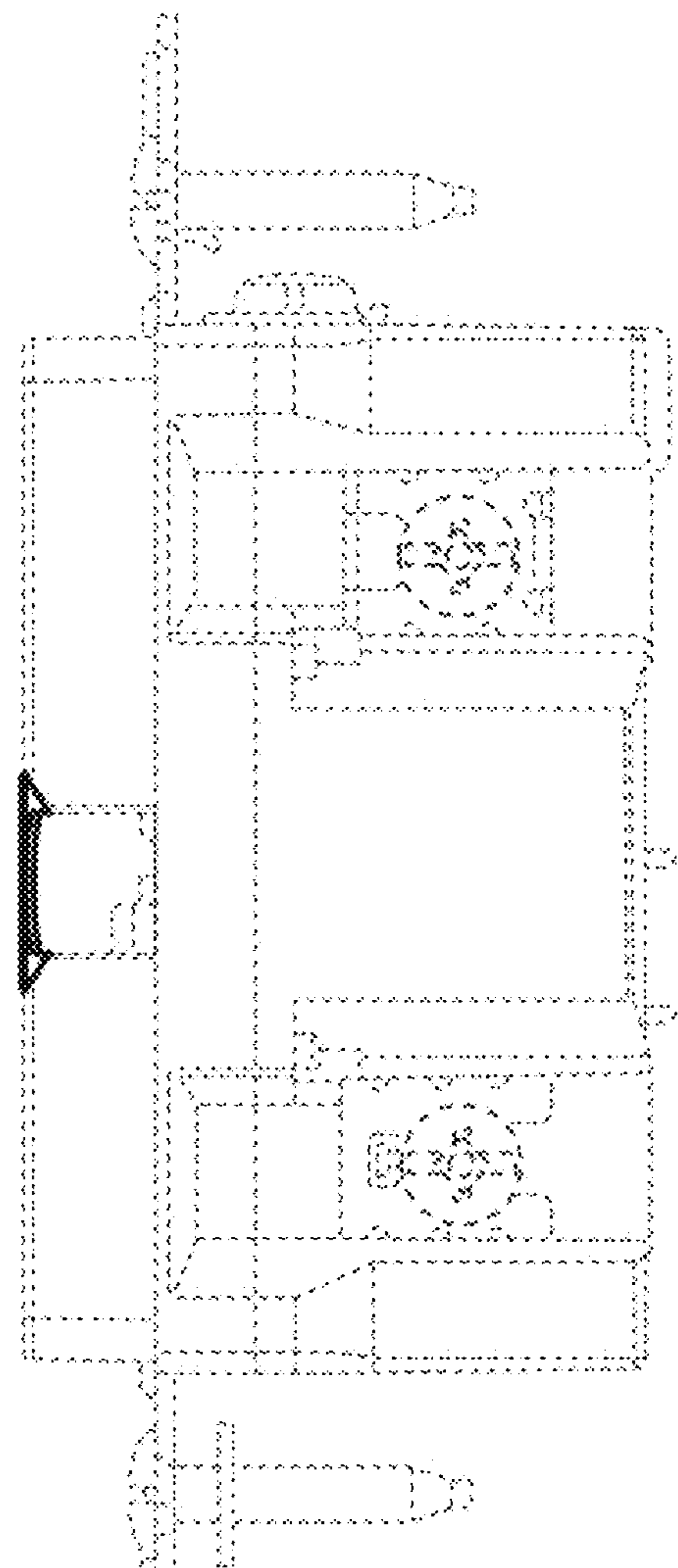


Figure 12