



US00D917394S

(12) **United States Design Patent** (10) **Patent No.:** **US D917,394 S**
Wersland et al. (45) **Date of Patent:** **** Apr. 27, 2021**

(54) **MOTOR**

(71) Applicant: **Theragun, Inc.**, Beverly Hills, CA (US)

(72) Inventors: **Jason Wersland**, Manhattan Beach, CA (US); **Benjamin Nazarian**, Beverly Hills, CA (US); **Jaime Sanchez Solana**, Los Angeles, CA (US); **Eduardo Merino**, Beverly Hills, CA (US)

(73) Assignee: **THERAGUN, INC.**, Beverly Hills, CA (US)

(**) Term: **15 Years**

(21) Appl. No.: **29/719,062**

(22) Filed: **Dec. 31, 2019**

(51) **LOC (13) Cl.** **13-01**

(52) **U.S. Cl.**
USPC **D13/112**

(58) **Field of Classification Search**
USPC D13/101, 112, 113, 114, 117, 118, 120, D13/122, 199; D15/1, 3, 5, 28, 133, 199; D23/370, 377; D8/364, 382, 383, 387, D8/393, 398
CPC . F02B 63/04; H02K 3/24; H02K 3/47; H02K 1/12; H02K 5/02; H02K 5/04; H02K 5/08; H02K 5/18; H02K 5/20; H02K 5/26; H02K 11/0094; H02K 9/06; H02K 9/14
See application file for complete search history.

D741,260 S * 10/2015 Yabuuchi D13/112
D753,591 S * 4/2016 Noda D13/112
D790,467 S * 6/2017 Marth D13/112
D792,911 S * 7/2017 Kendall D15/5
D813,640 S * 3/2018 Osanai D8/310
D842,246 S * 3/2019 Gan D13/112
D853,445 S * 7/2019 Kuratani D15/1
2005/0161577 A1* 7/2005 French H02K 5/00 248/672

(Continued)

Primary Examiner — Derrick E Holland
(74) *Attorney, Agent, or Firm* — Jeffer Mangels Butler & Mitchell LLP; Brennan C. Swain, Esq.

(57) **CLAIM**

The ornamental design for a motor, as shown and described.

DESCRIPTION

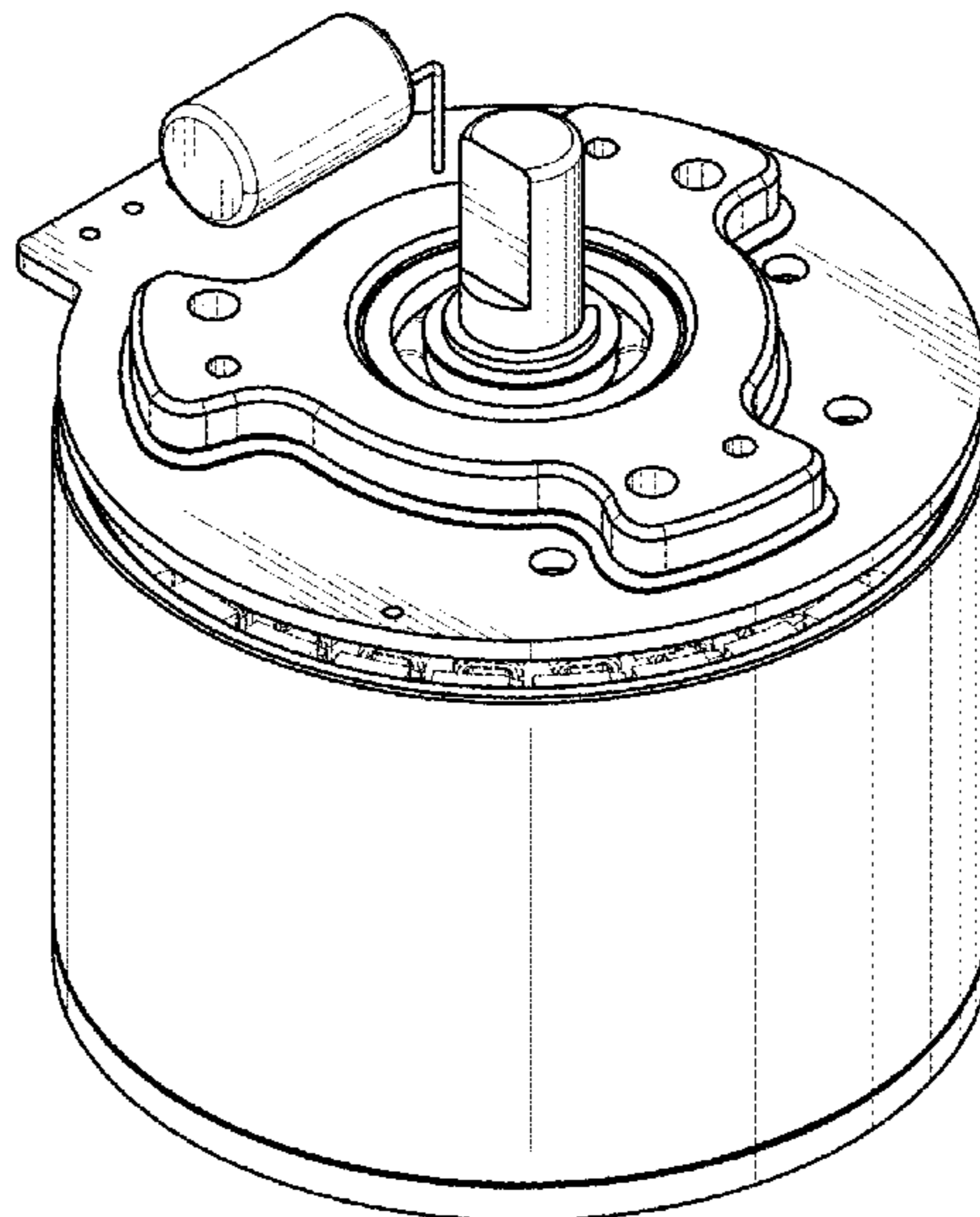
FIG. 1 is a top perspective view of a first embodiment of a motor showing the new design;
FIG. 2 is a bottom perspective view thereof;
FIG. 3 is a front elevational view thereof;
FIG. 4 is a rear elevational view thereof;
FIG. 5 is a left side elevational view thereof;
FIG. 6 is a right side elevational view thereof;
FIG. 7 is a top plan view thereof;
FIG. 8 is a bottom plan view thereof;
FIG. 9 is a top perspective view of a second embodiment of a motor showing the new design;
FIG. 10 is a bottom perspective view thereof;
FIG. 11 is a front elevational view thereof;
FIG. 12 is a rear elevational view thereof;
FIG. 13 is a left side elevational view thereof;
FIG. 14 is a right side elevational view thereof;
FIG. 15 is a top plan view thereof; and,
FIG. 16 is a bottom plan view thereof.
The broken lines in the drawings are for the purpose of illustrating portions of the motor that form no part of the claimed design.

1 Claim, 16 Drawing Sheets

(56) **References Cited**

U.S. PATENT DOCUMENTS

D297,426 S * 8/1988 Mabuchi D13/112
D365,084 S * 12/1995 Suski D13/154
D397,992 S * 9/1998 Shimomura D13/112
D550,621 S * 9/2007 Vuorio D13/118
D573,947 S * 7/2008 Kishimoto D13/119
D579,869 S * 11/2008 Lau D13/112



(56)

References Cited

U.S. PATENT DOCUMENTS

2015/0249376 A1* 9/2015 Hiwaki H02K 5/08
310/43
2016/0294249 A1* 10/2016 Keller H02K 15/14

* cited by examiner

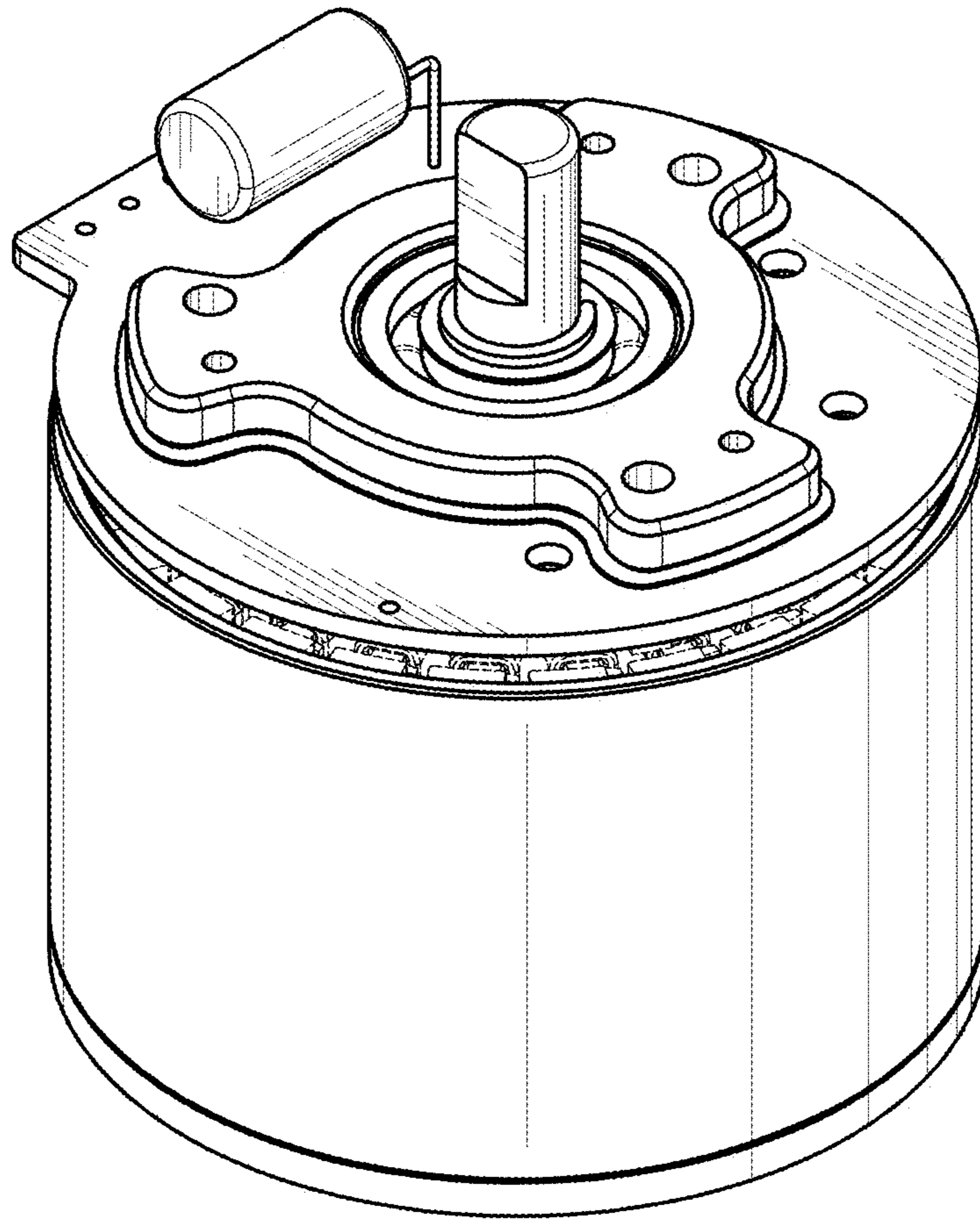


FIG. 1

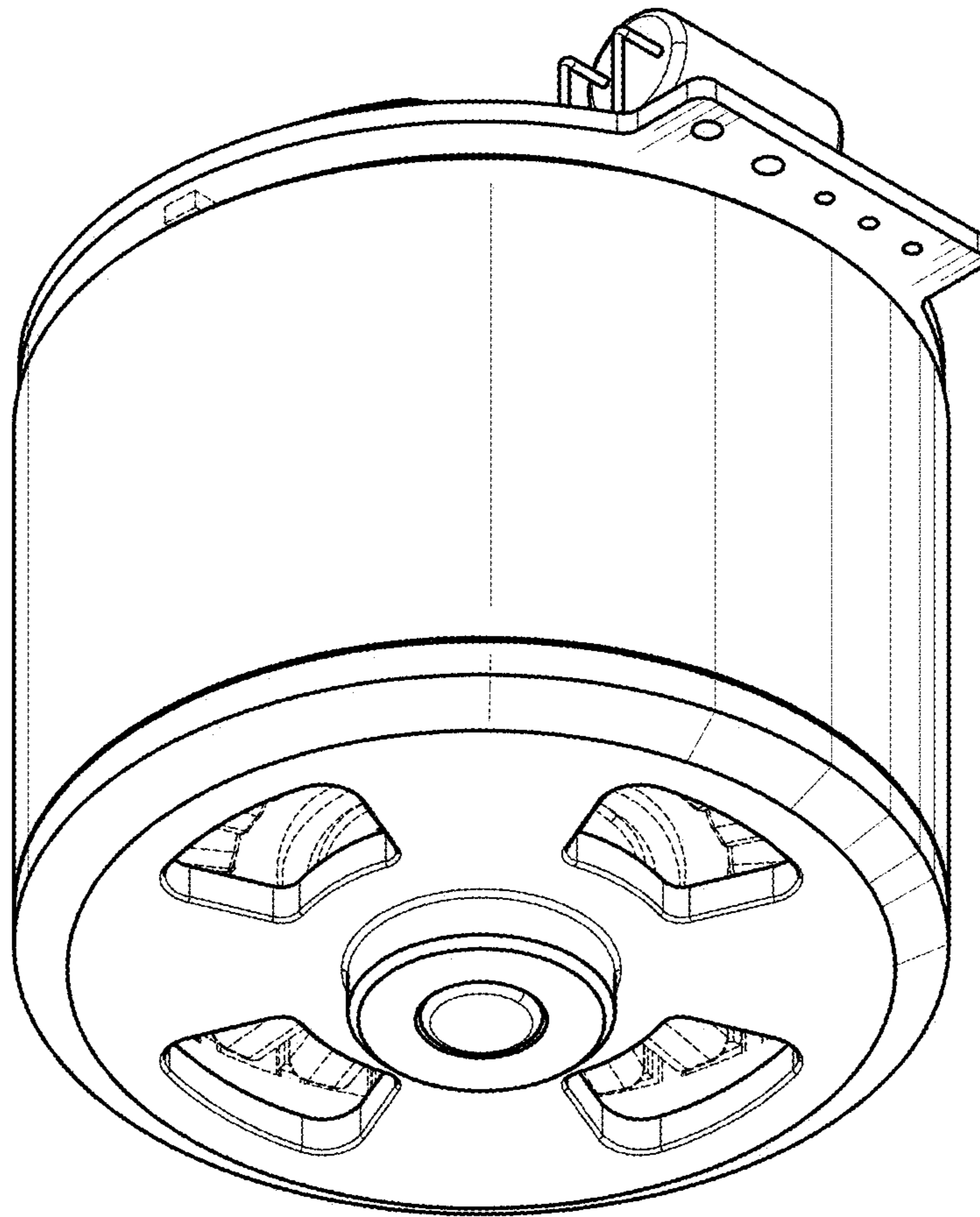


FIG. 2

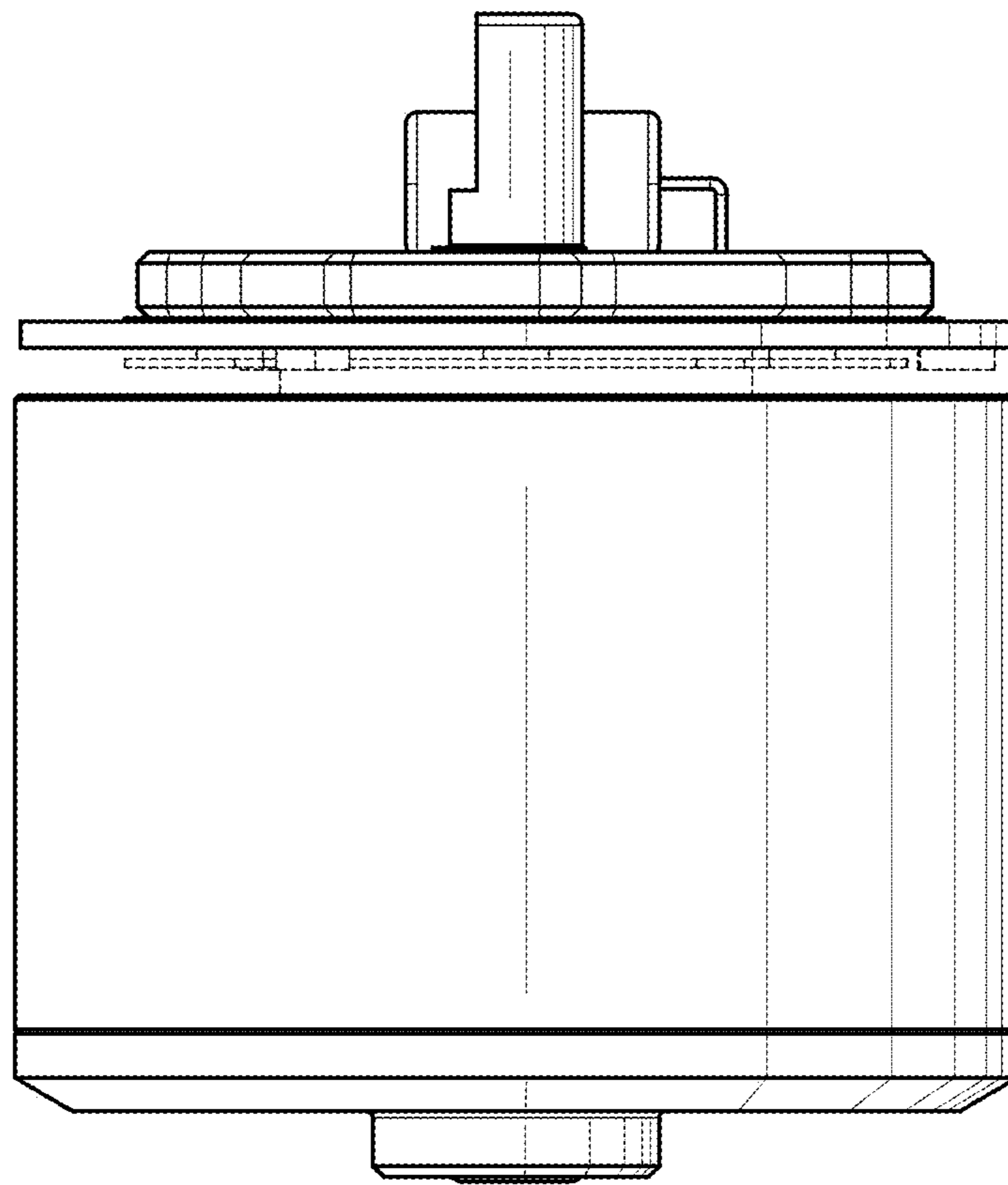


FIG. 3

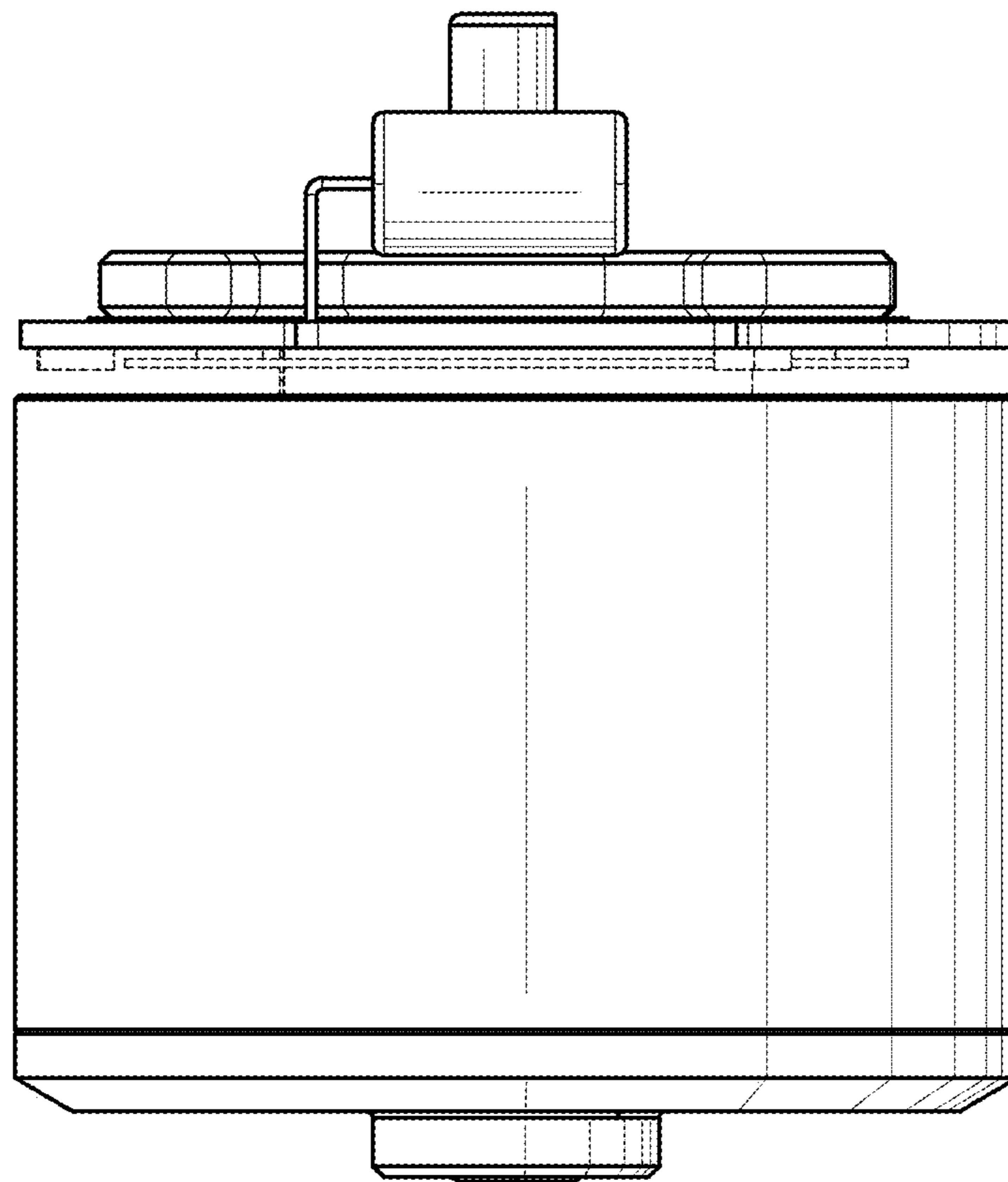


FIG. 4

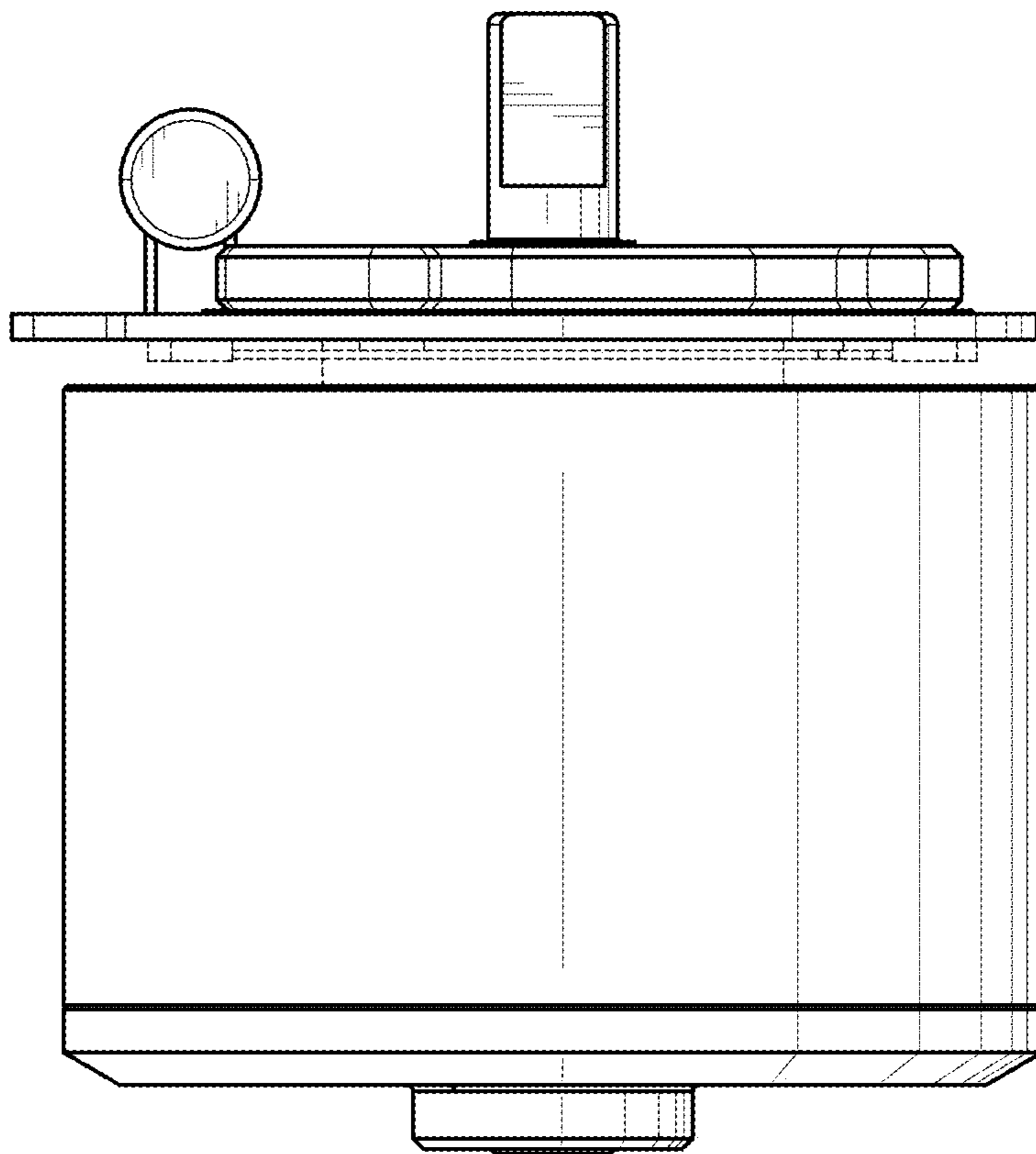


FIG. 5

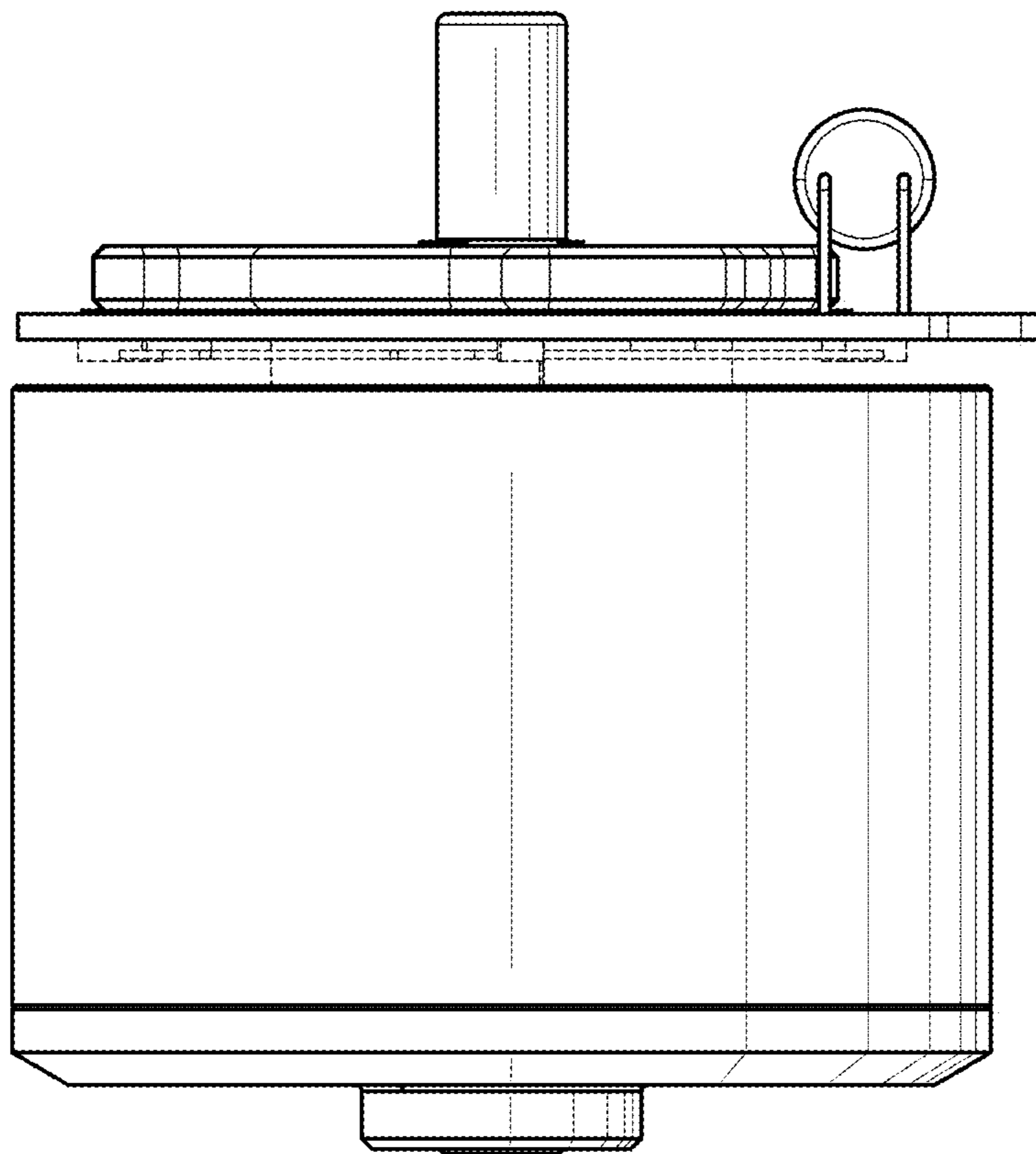


FIG. 6

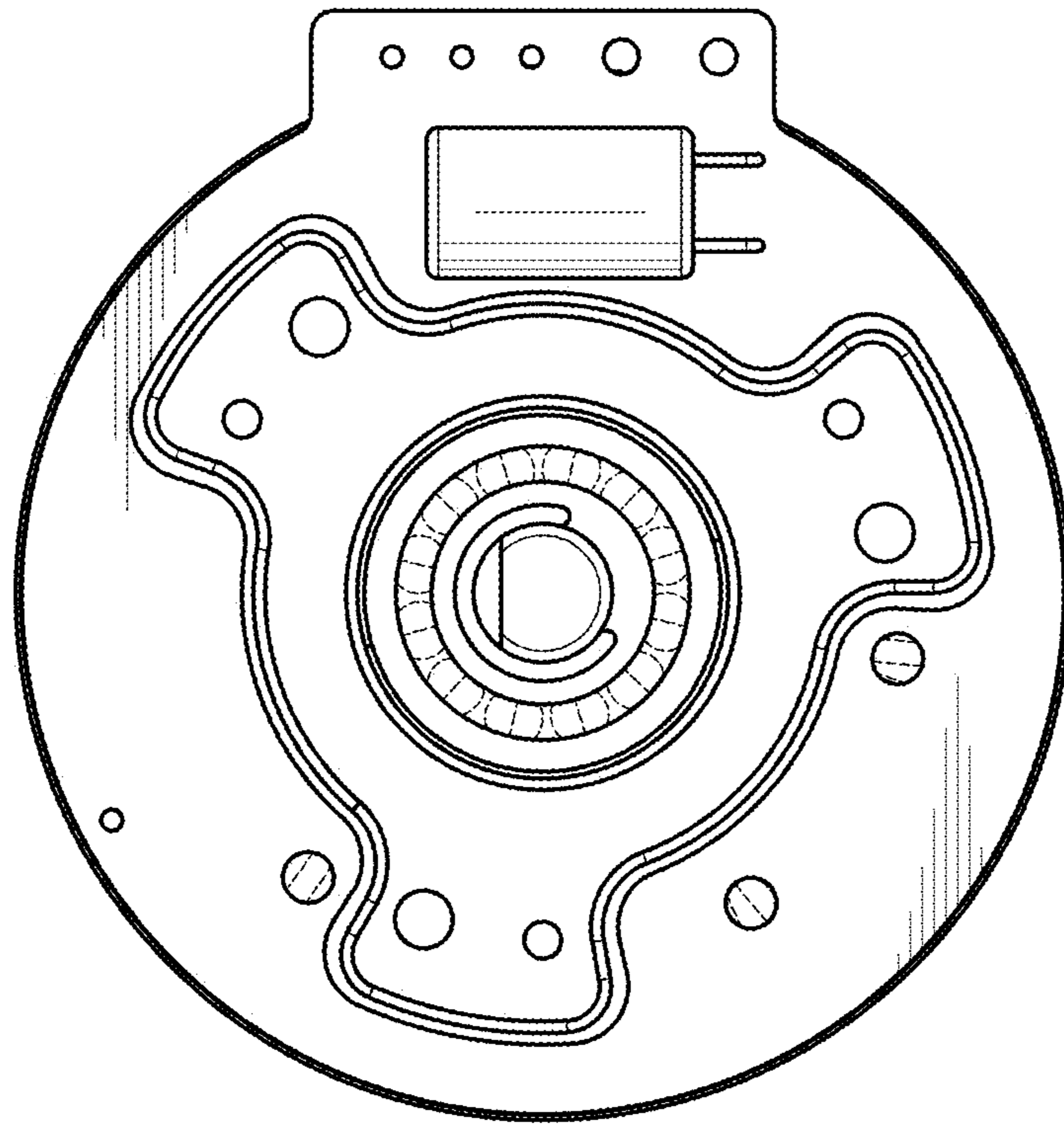


FIG. 7

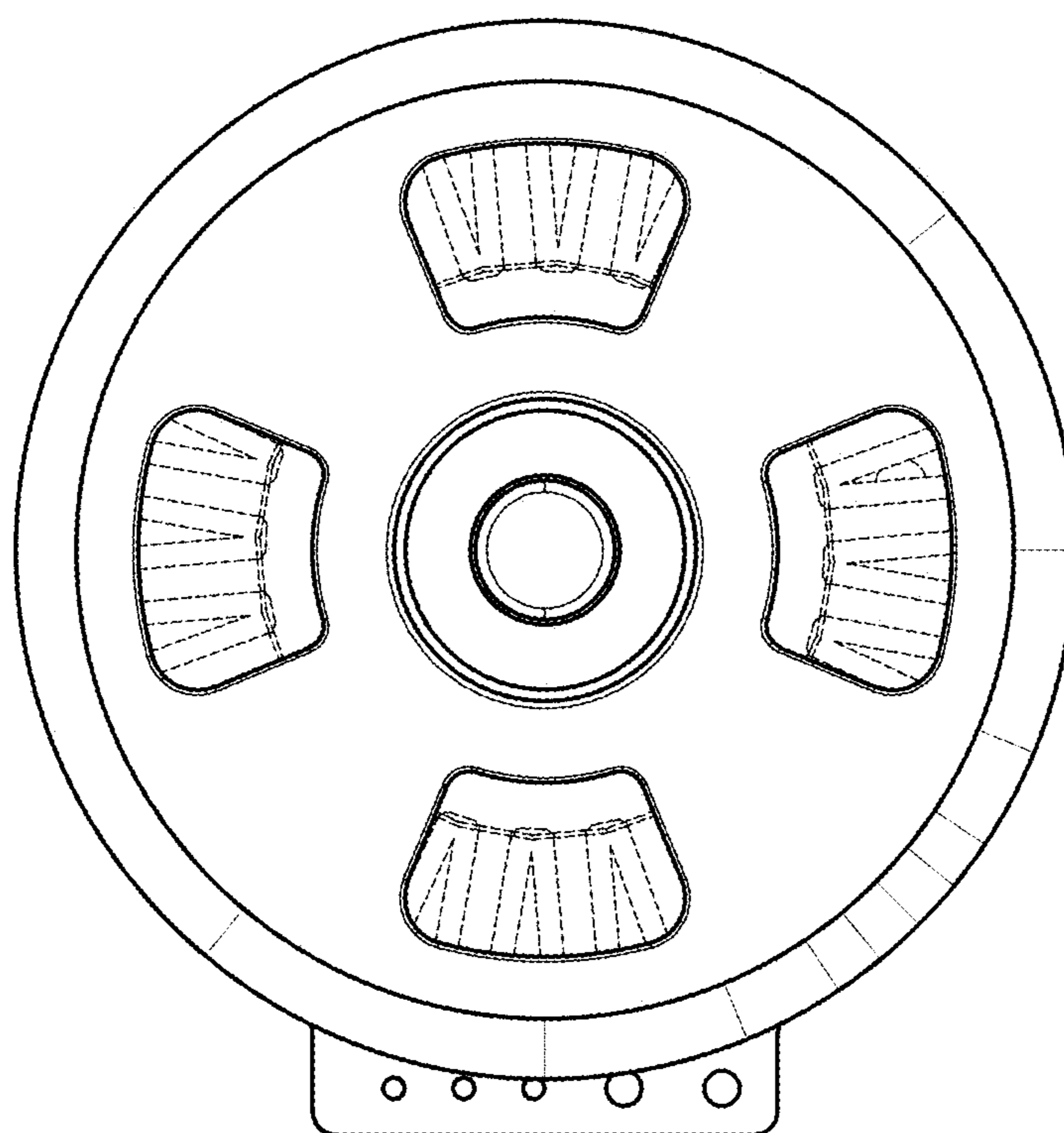


FIG. 8

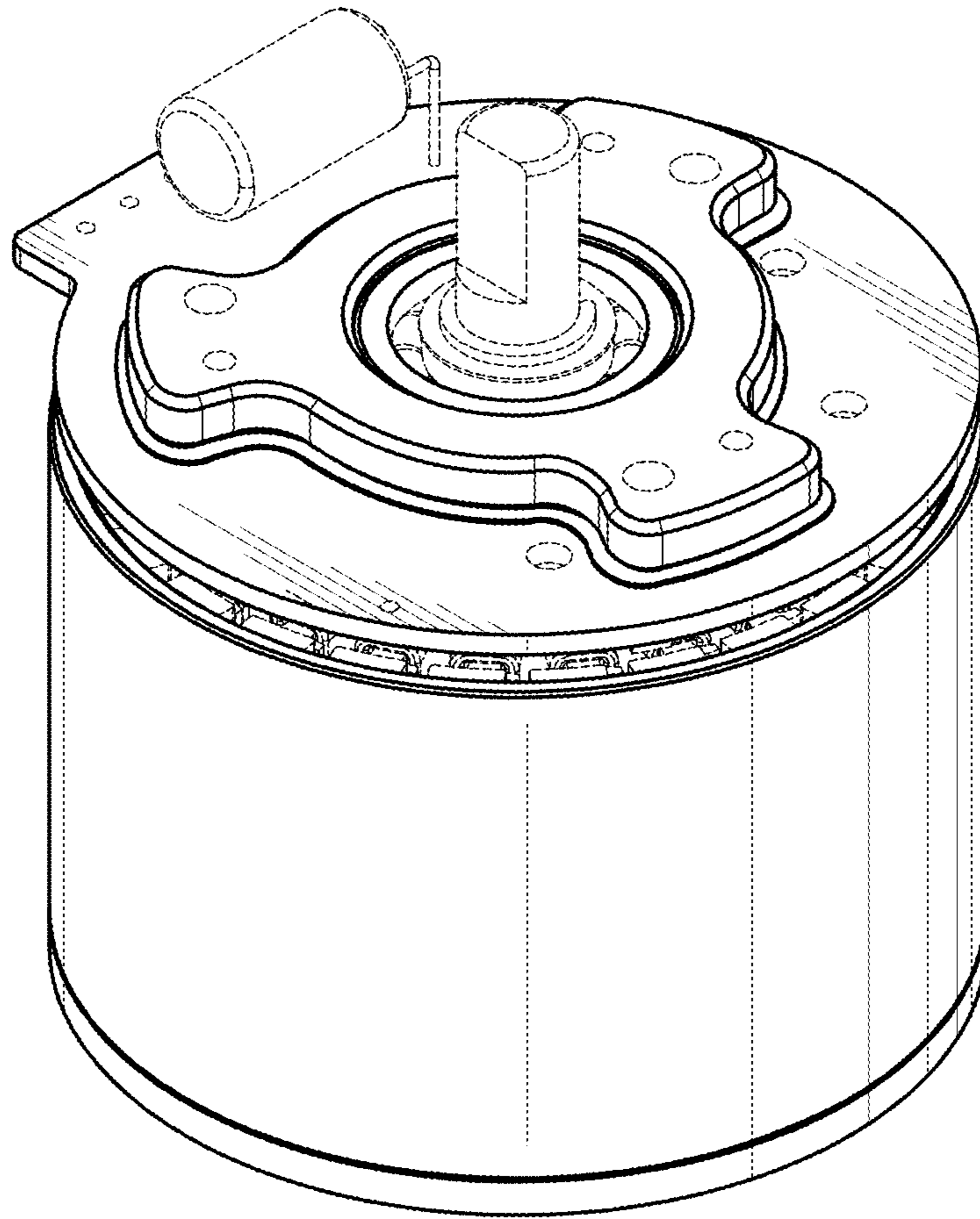


FIG. 9

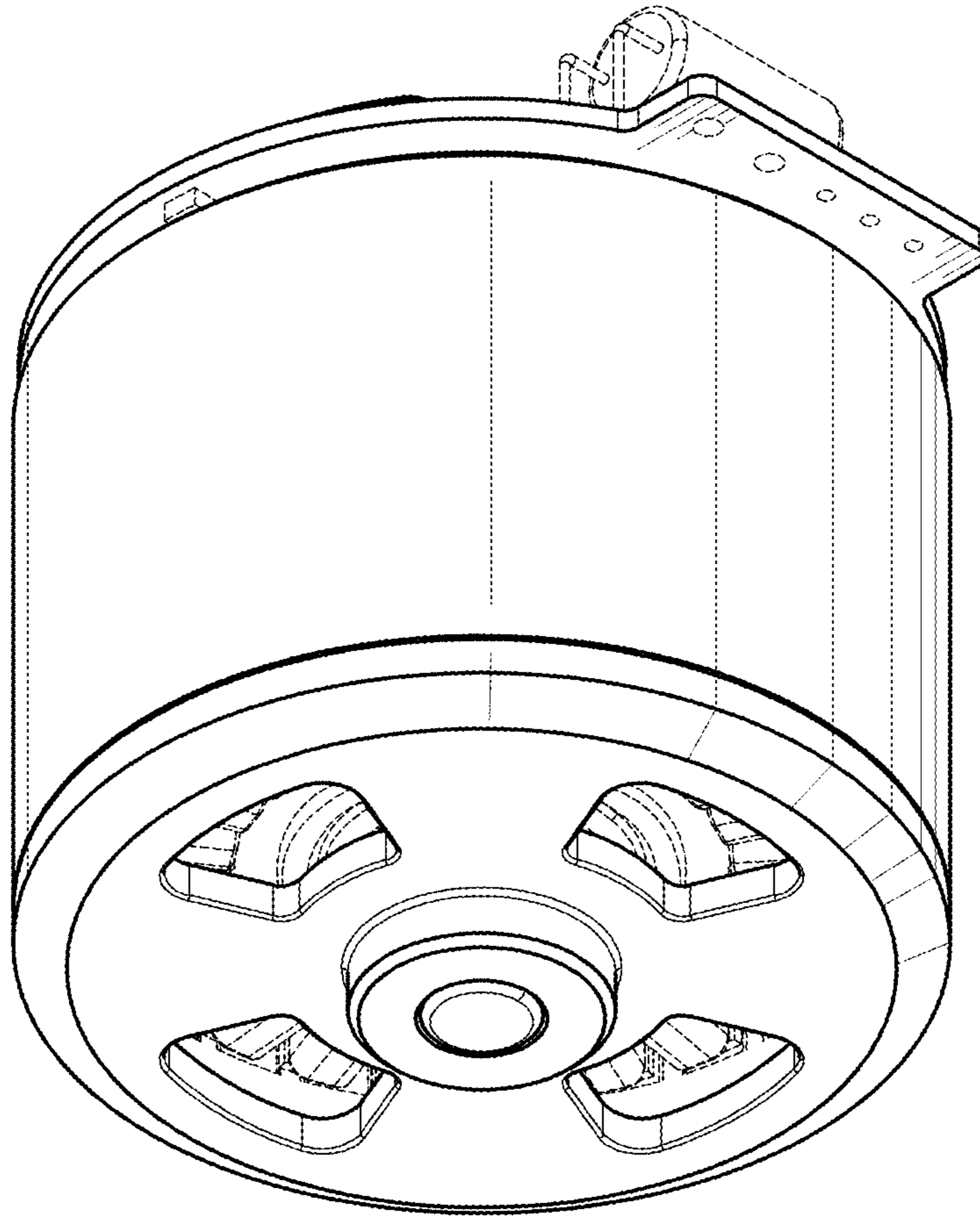


FIG. 10

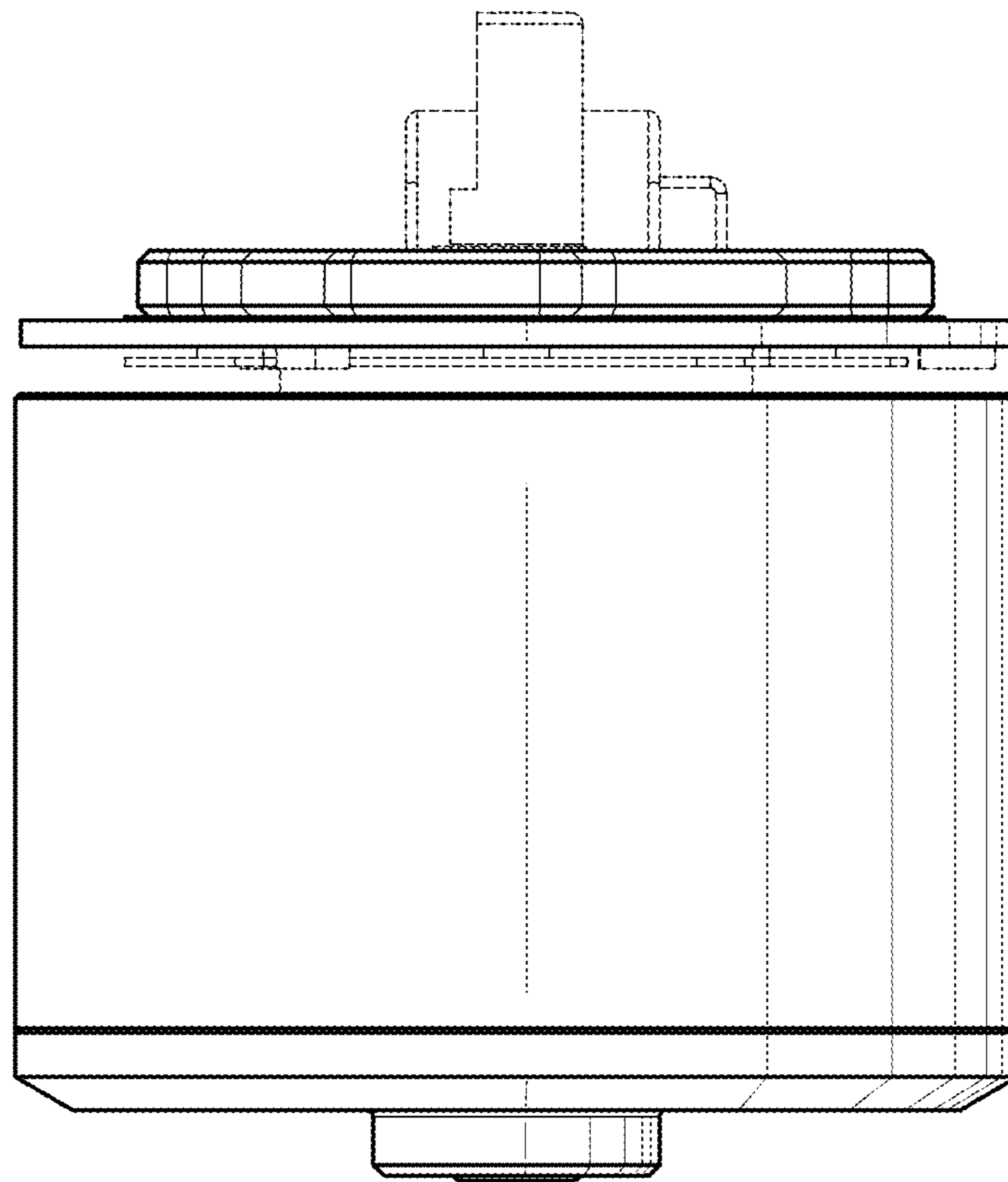


FIG. 11

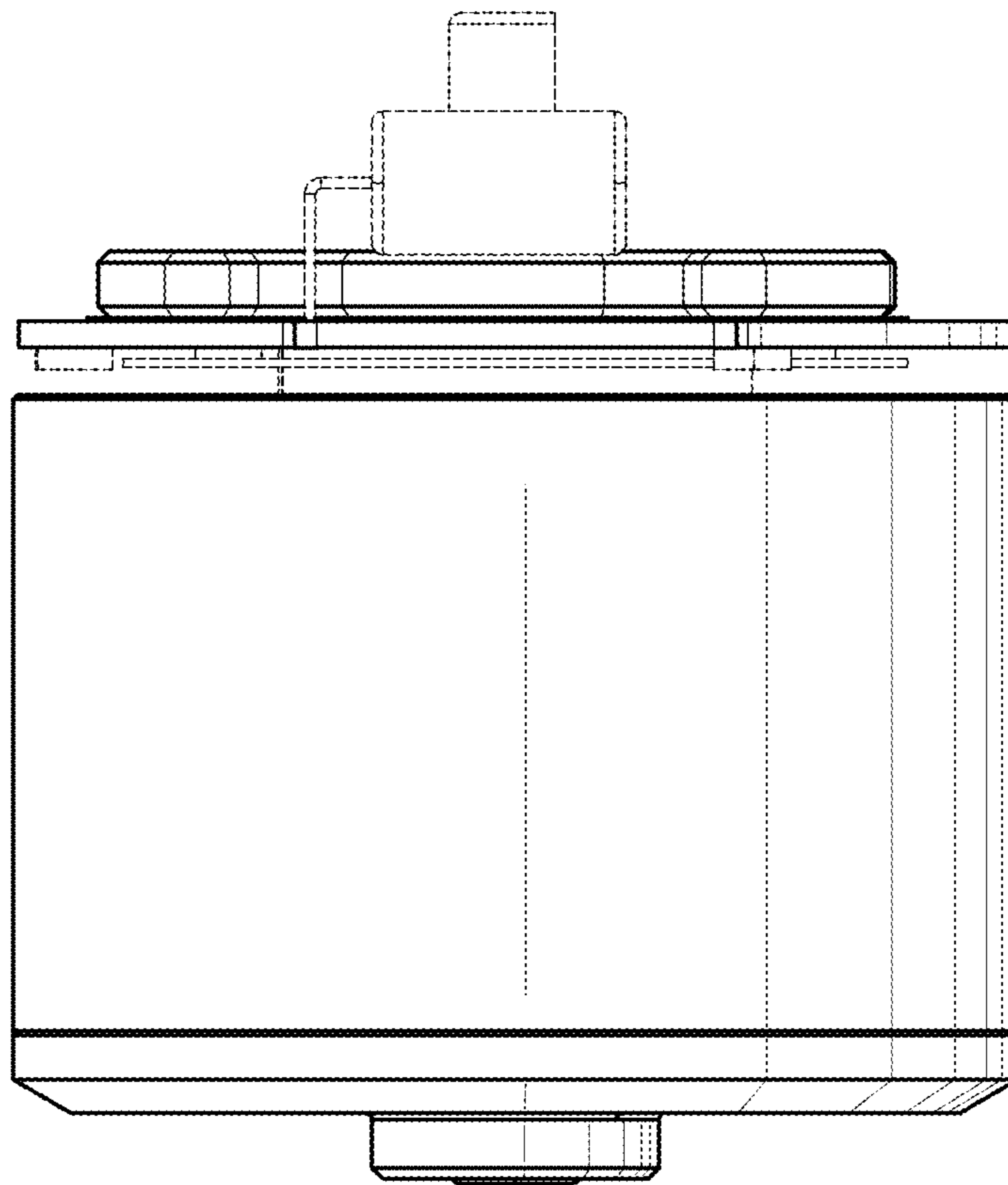


FIG. 12

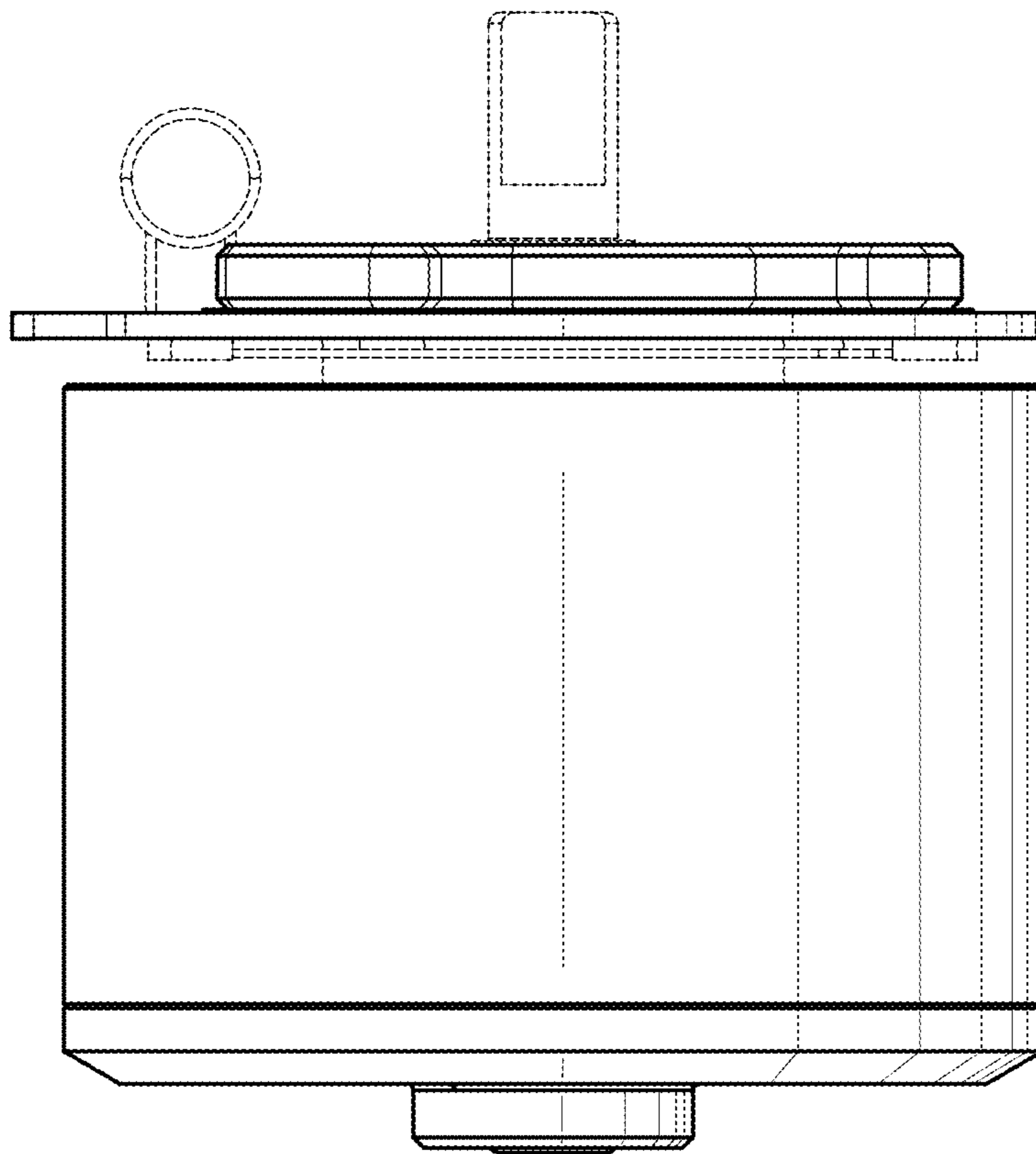


FIG. 13

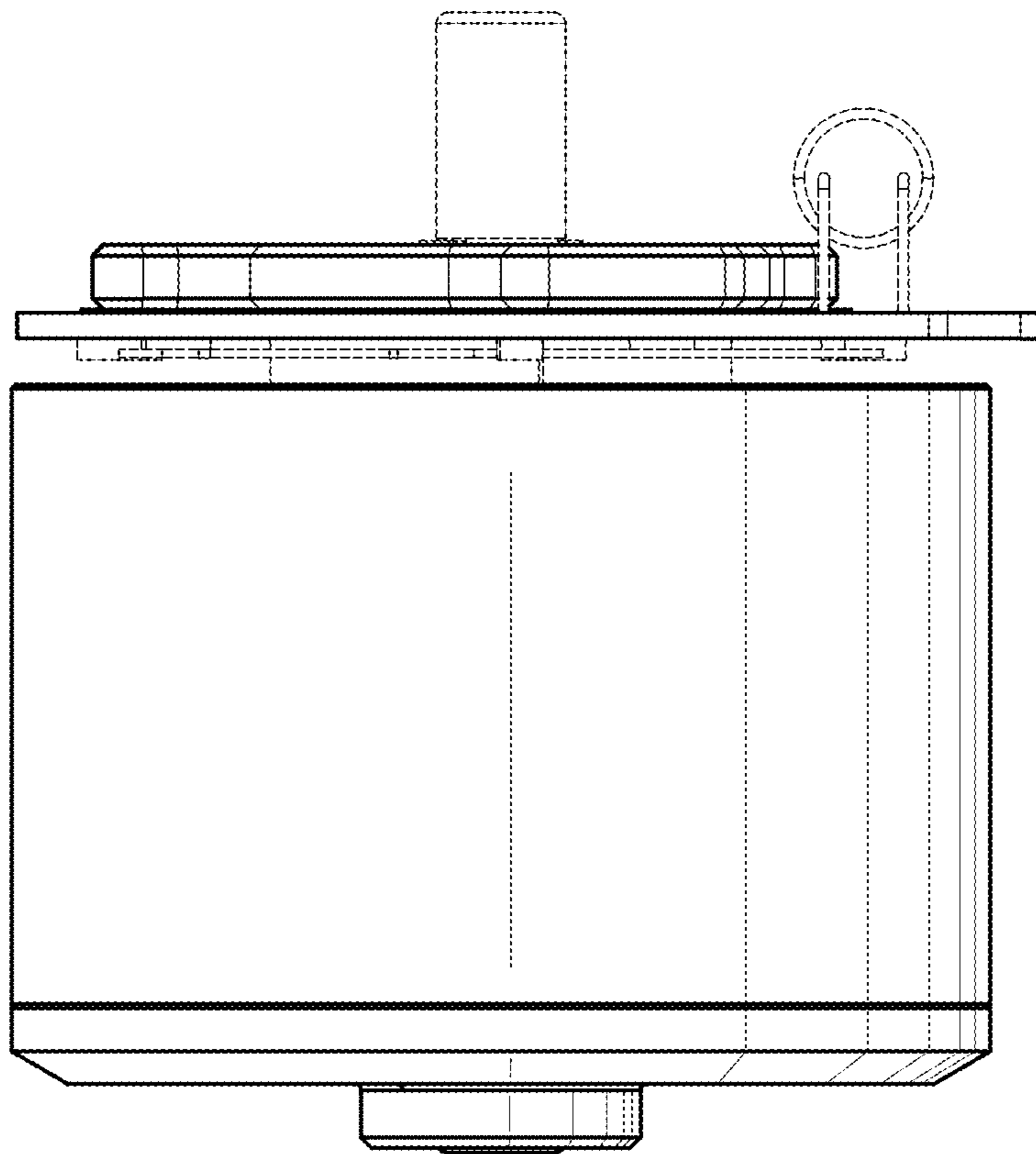


FIG. 14

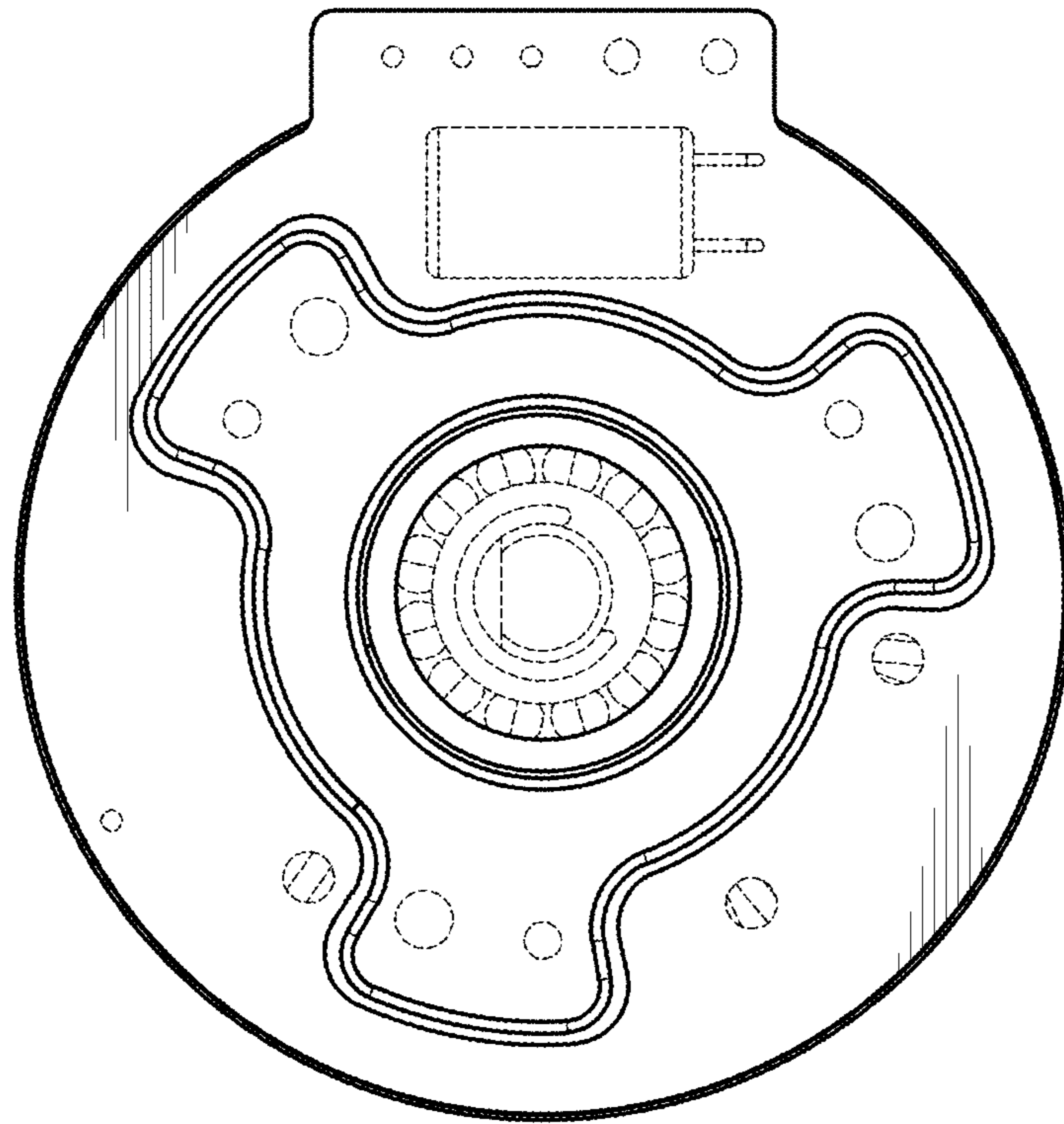


FIG. 15

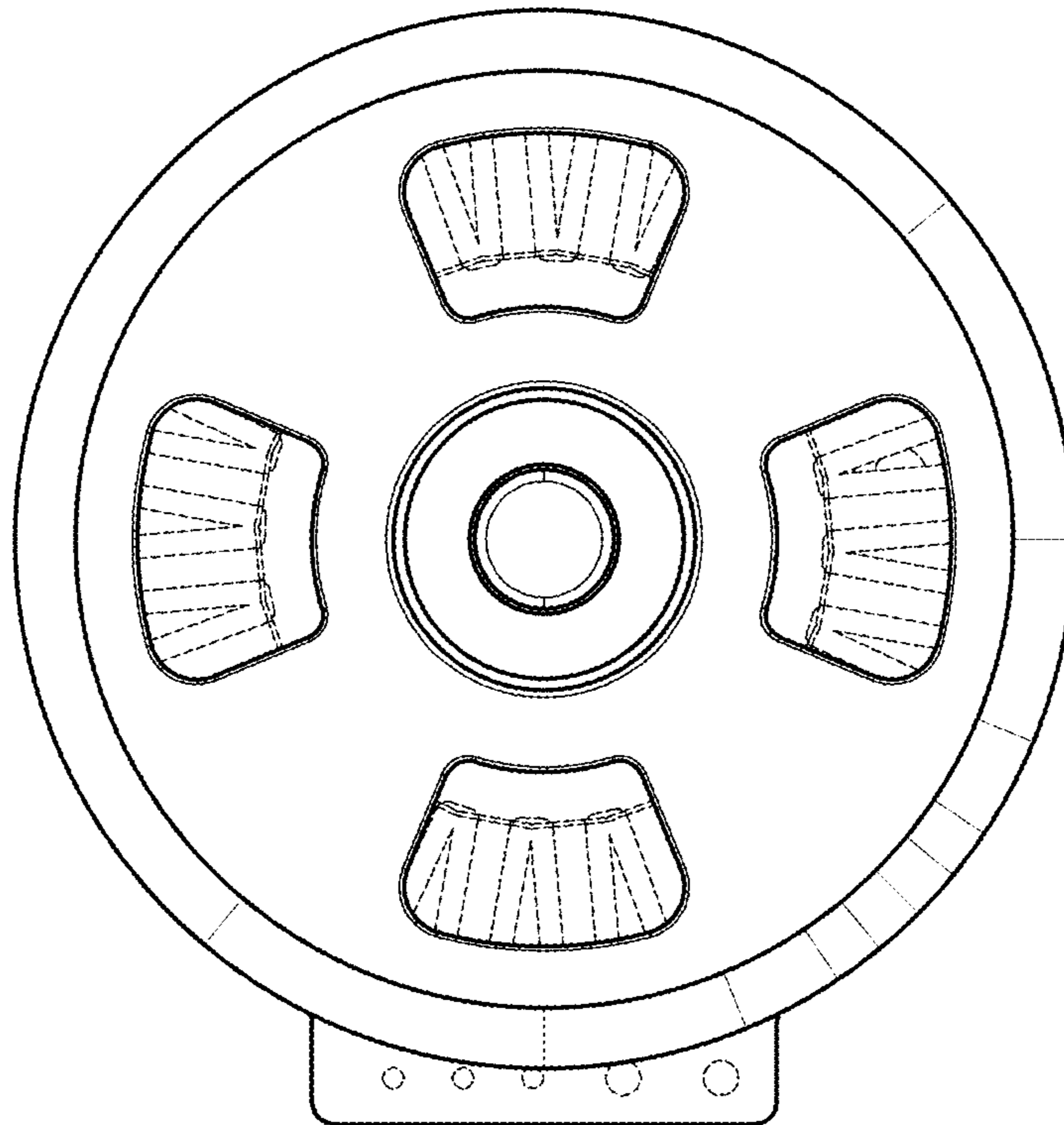


FIG. 16