



US00D917393S

(12) **United States Design Patent** (10) **Patent No.:** **US D917,393 S**  
**Aura** (45) **Date of Patent:** **\*\* Apr. 27, 2021**

(54) **HYDROGENERATOR**

(71) Applicant: **Remoran Oy**, Salo (FI)

(72) Inventor: **Pekka Aura**, Salo (FI)

(73) Assignee: **Remoran Oy**, Salo (FI)

(\*\*) Term: **15 Years**

(21) Appl. No.: **29/714,996**

(22) Filed: **Nov. 27, 2019**

(30) **Foreign Application Priority Data**

May 31, 2019 (EM) ..... 006557112

(51) **LOC (13) Cl.** ..... **13-01**

(52) **U.S. Cl.**  
USPC ..... **D13/112**

(58) **Field of Classification Search**

USPC ..... D13/112, 113, 114, 115, 122, 184, 199;  
D12/214, 305, 309, 317; D5/4, 5  
CPC ..... F03B 17/061; F03B 13/10; F03B 13/12;  
F03B 13/13; F05B 2250/02; Y02E 10/20;  
Y02E 10/30; B63H 1/00  
See application file for complete search history.

(56) **References Cited**

**U.S. PATENT DOCUMENTS**

4,555,233 A \* 11/1985 Klammer ..... B63H 20/007  
440/53  
D418,520 S \* 1/2000 Hansen ..... D15/4  
D594,034 S \* 6/2009 Bernloehr ..... D15/5  
D664,922 S \* 8/2012 La Pegna ..... D13/115

D671,492 S 11/2012 Bestaven et al.  
D745,457 S \* 12/2015 Perriere ..... D13/114  
2012/0200084 A1\* 8/2012 Blaxland ..... F03B 15/00  
290/43

**OTHER PUBLICATIONS**

Registered Community design (RCD) No. 001783523-0001; published Jan. 3, 2011.  
Registered Community design (RCD) No. 001783523-0002; published Jan. 3, 2011.

\* cited by examiner

*Primary Examiner* — Derrick E Holland

(74) *Attorney, Agent, or Firm* — Banner & Witcoff, Ltd.

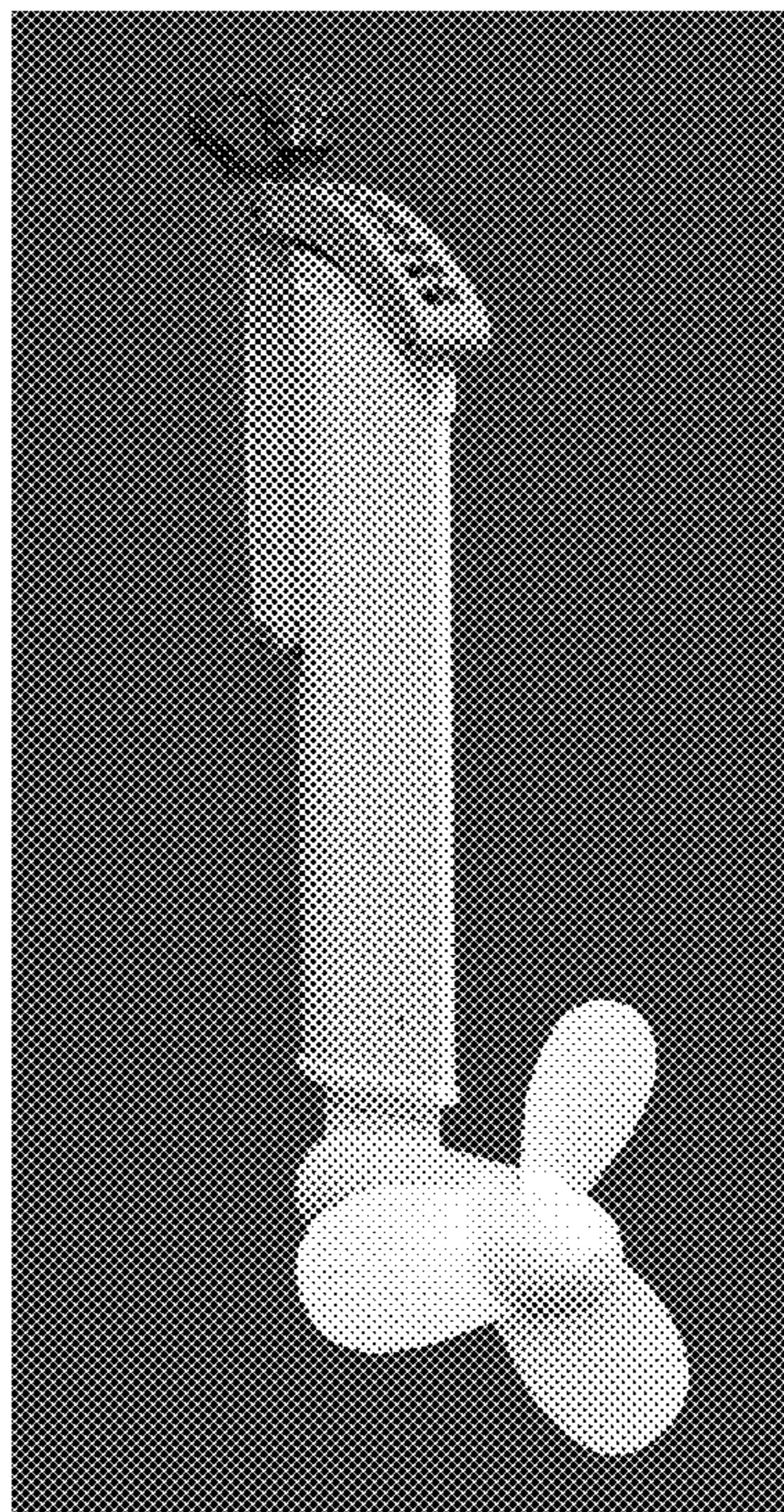
(57) **CLAIM**

The ornamental design for a hydrogenerator, as shown and described.

**DESCRIPTION**

FIG. 1 is a right side view of a hydrogenerator showing my new design;  
FIG. 2 is a perspective rear view thereof;  
FIG. 3 is a perspective front view thereof;  
FIG. 4 is a rear view thereof;  
FIG. 5 is a top plan view thereof;  
FIG. 6 is a bottom view thereof;  
FIG. 7 is a front view thereof;  
FIG. 8 is a left side view thereof;  
FIG. 9 is a left side view of the hydrogenerator showing my new design in another position; and,  
FIG. 10 is a right side view thereof.

**1 Claim, 10 Drawing Sheets**



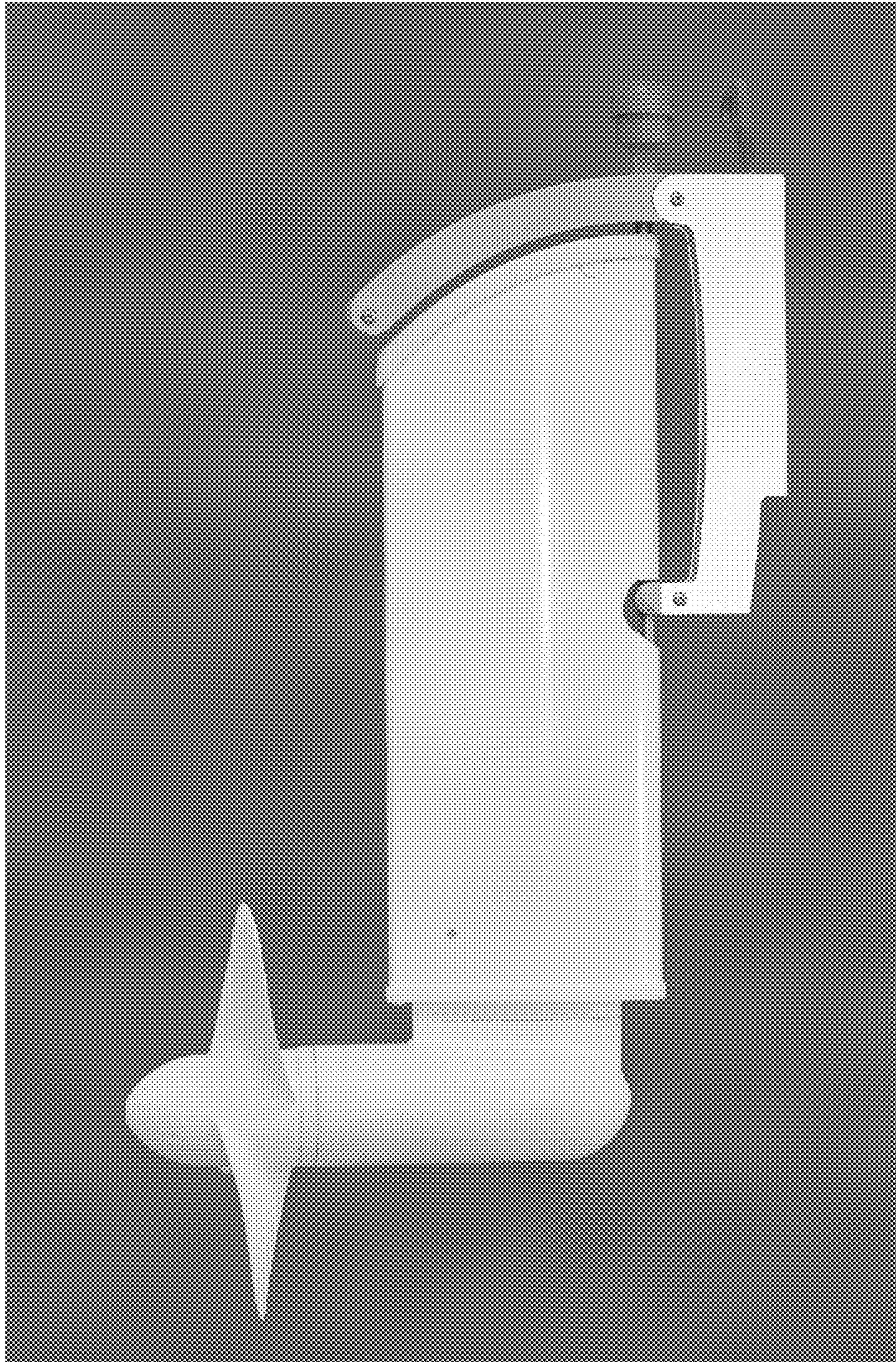


FIG. 1

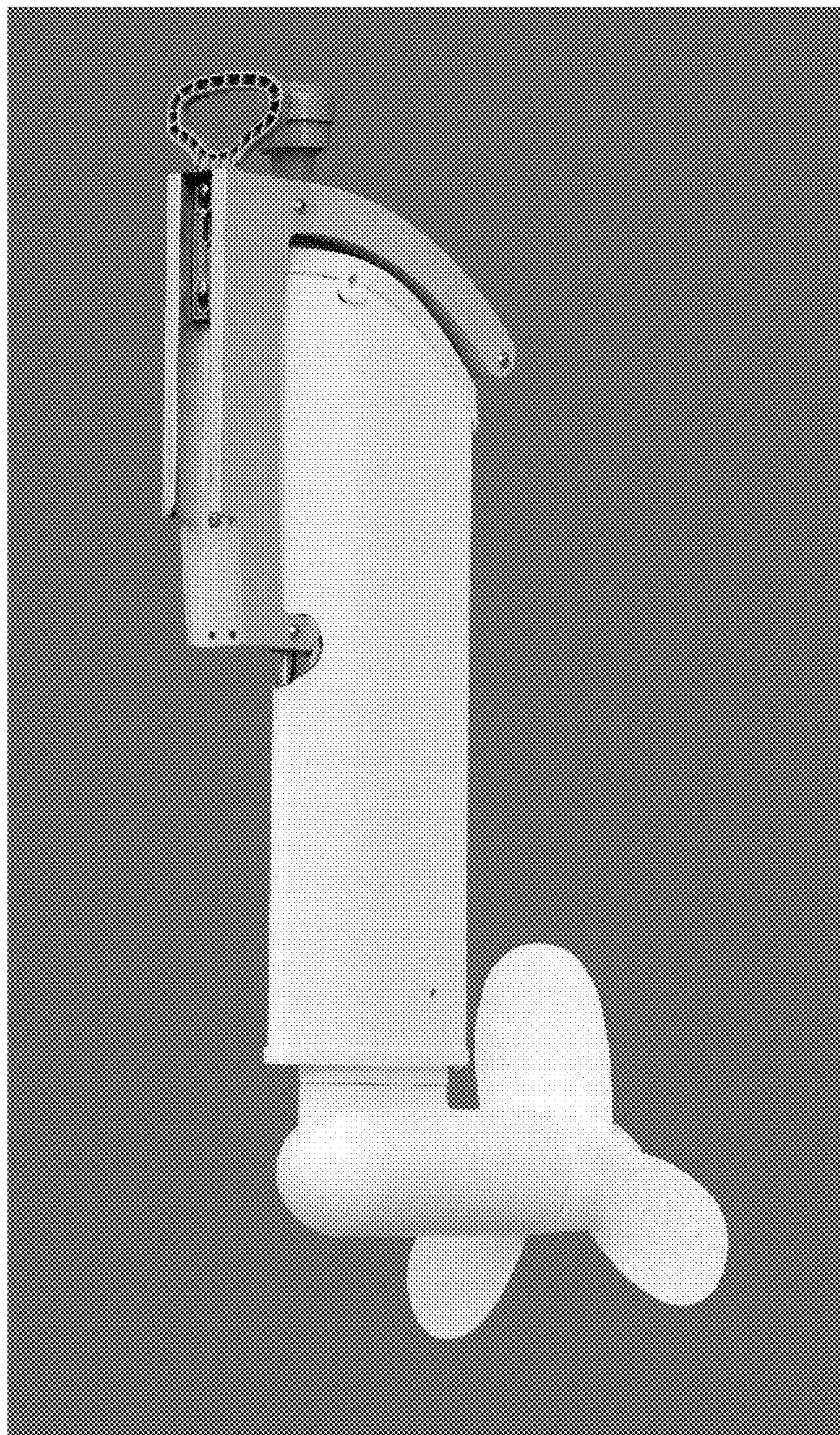


FIG. 2

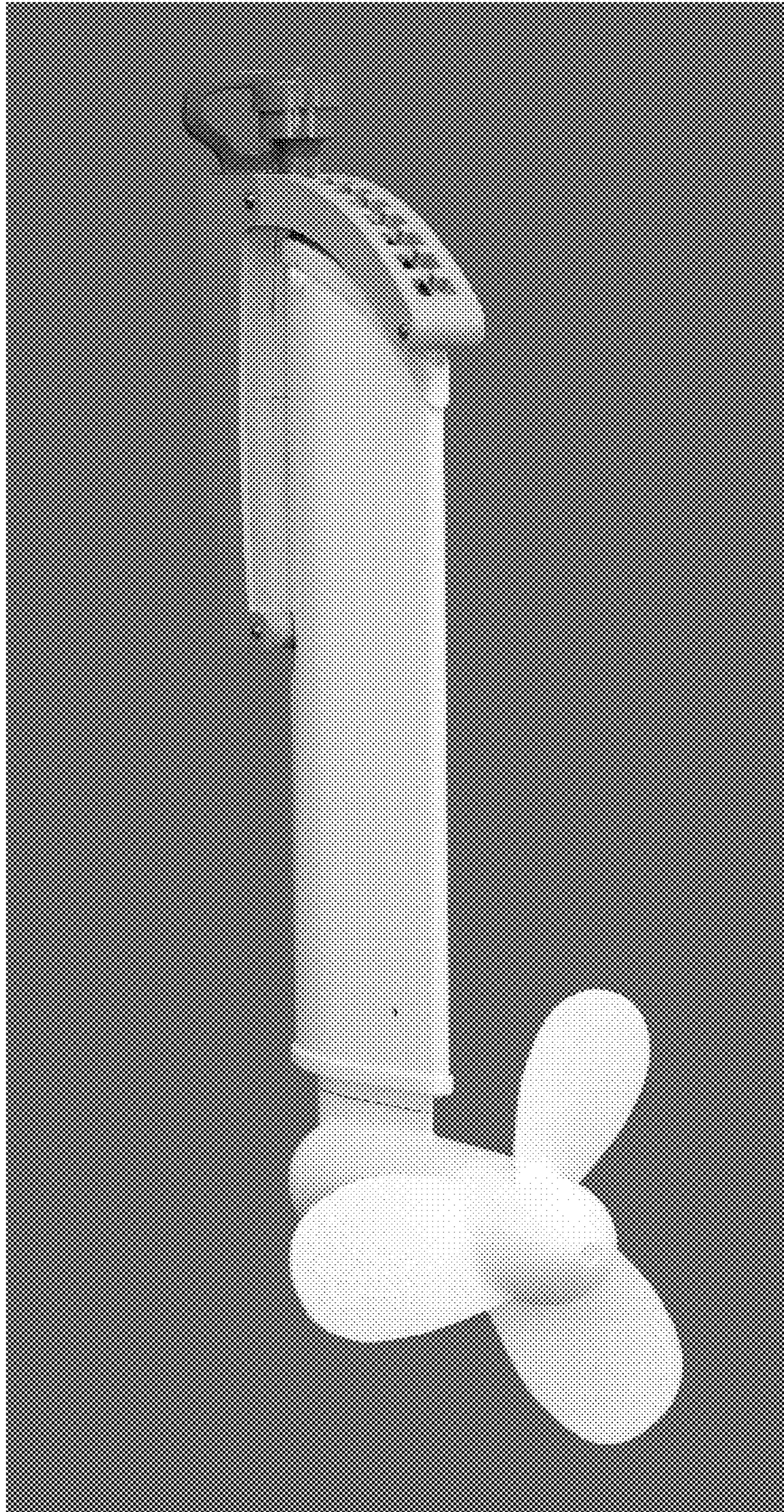


FIG. 3

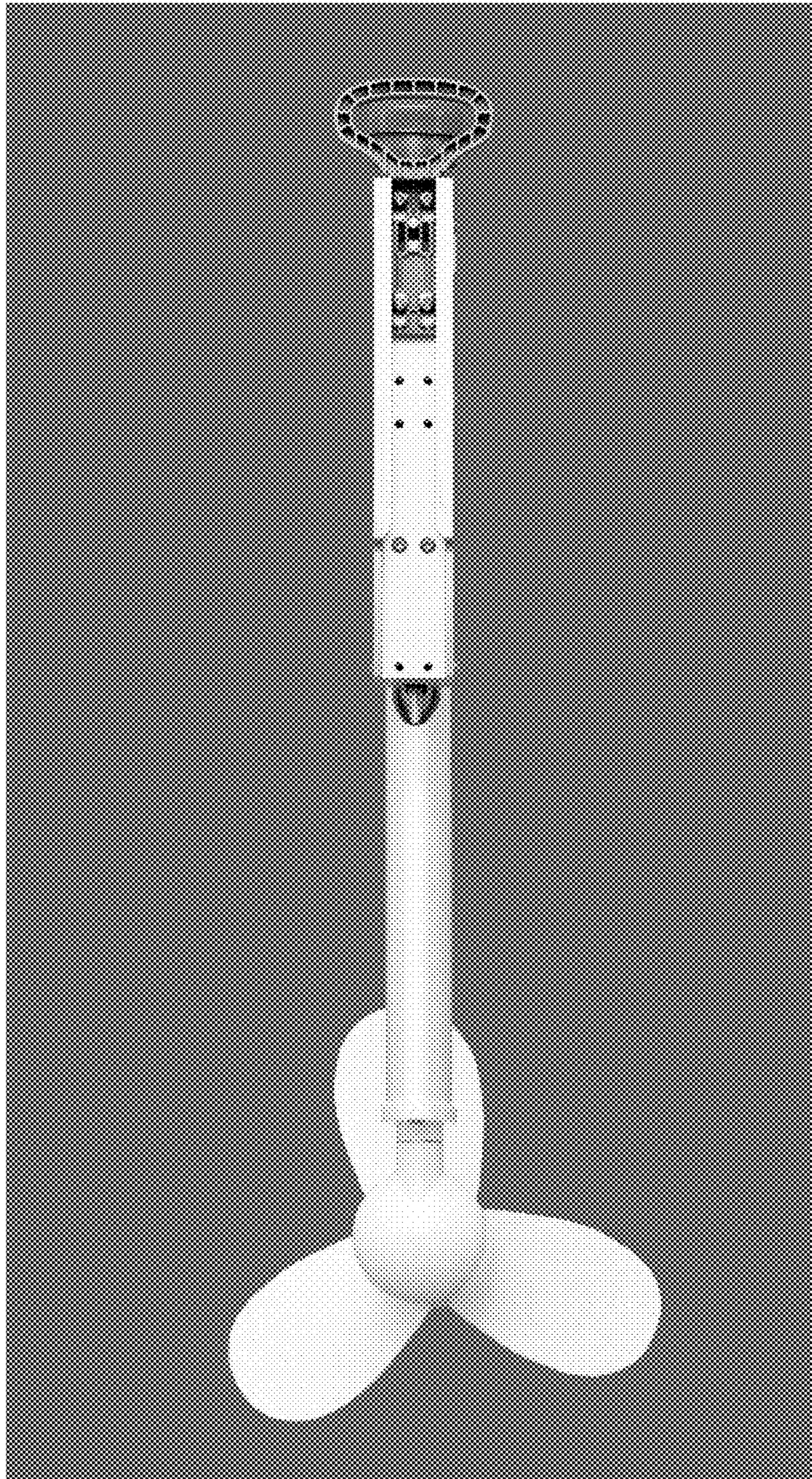


FIG. 4

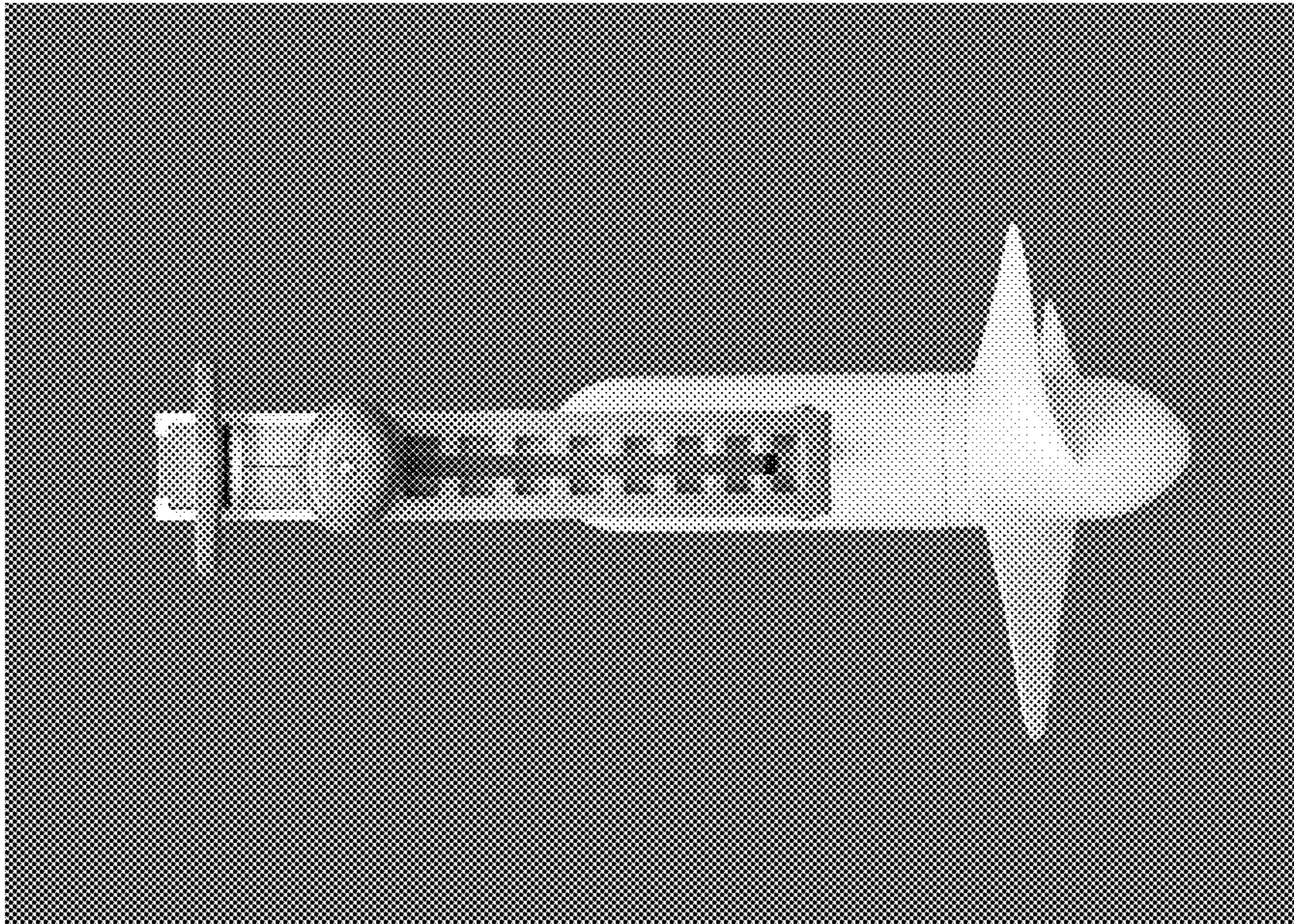


FIG. 5

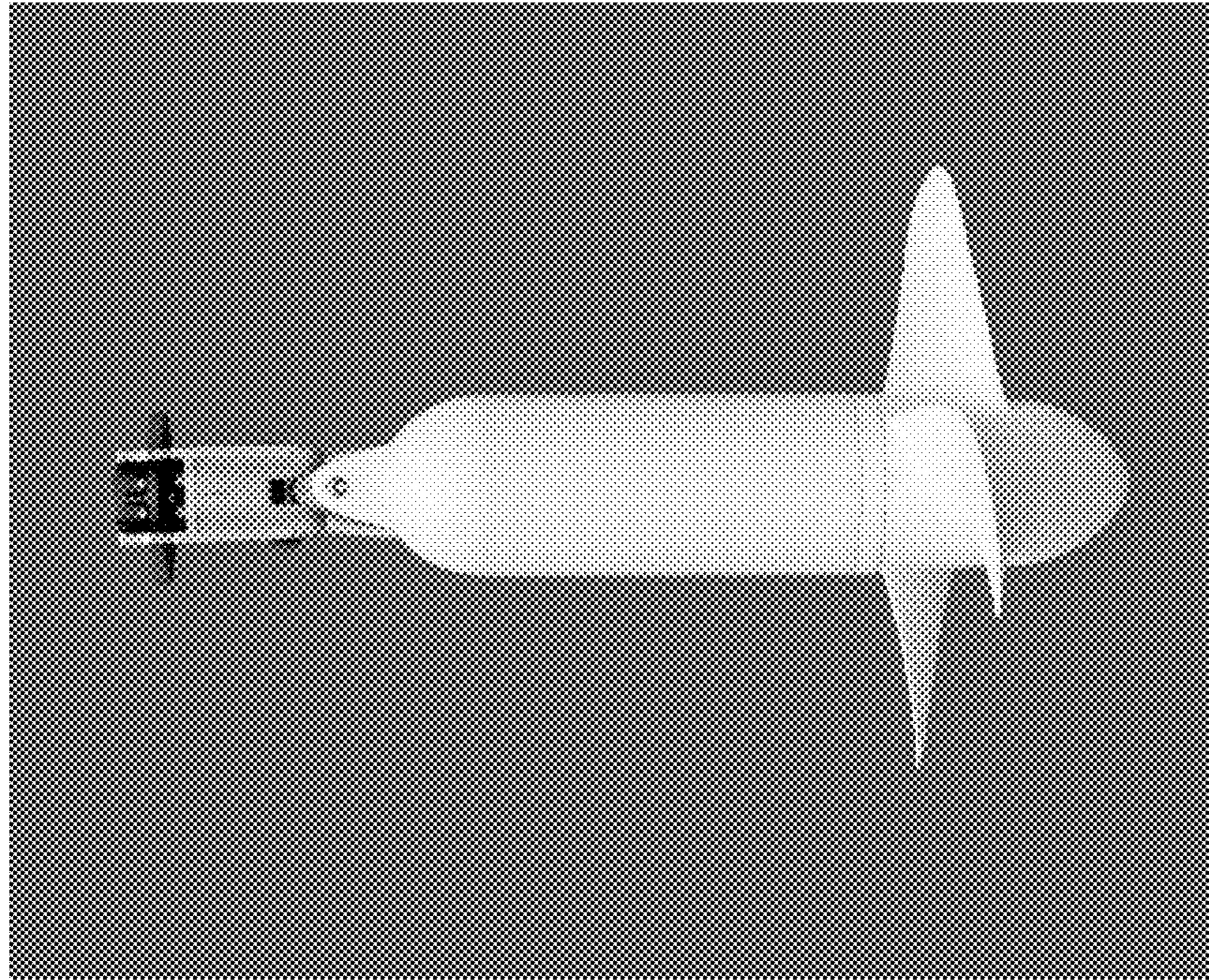


FIG. 6

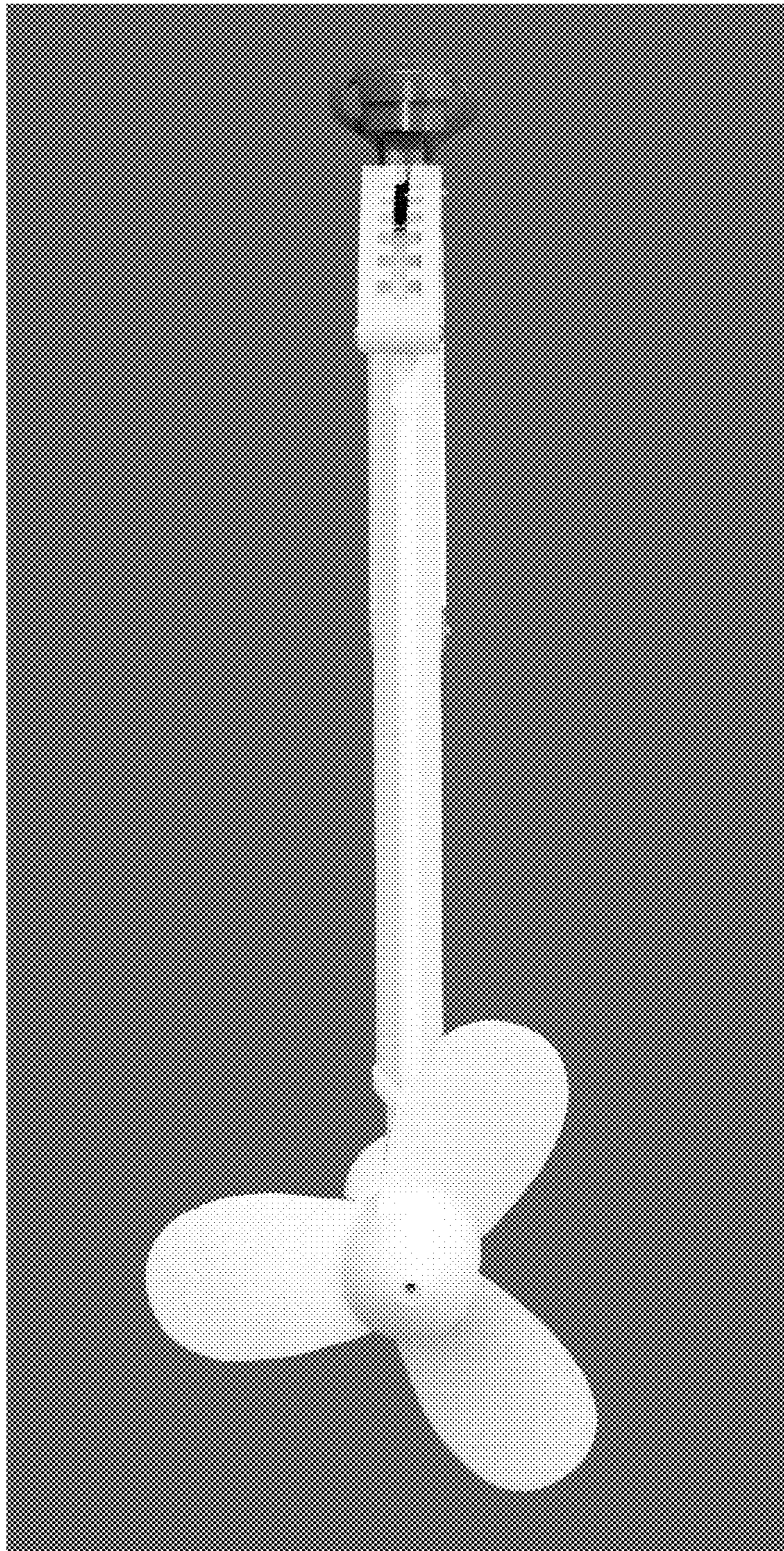


FIG. 7



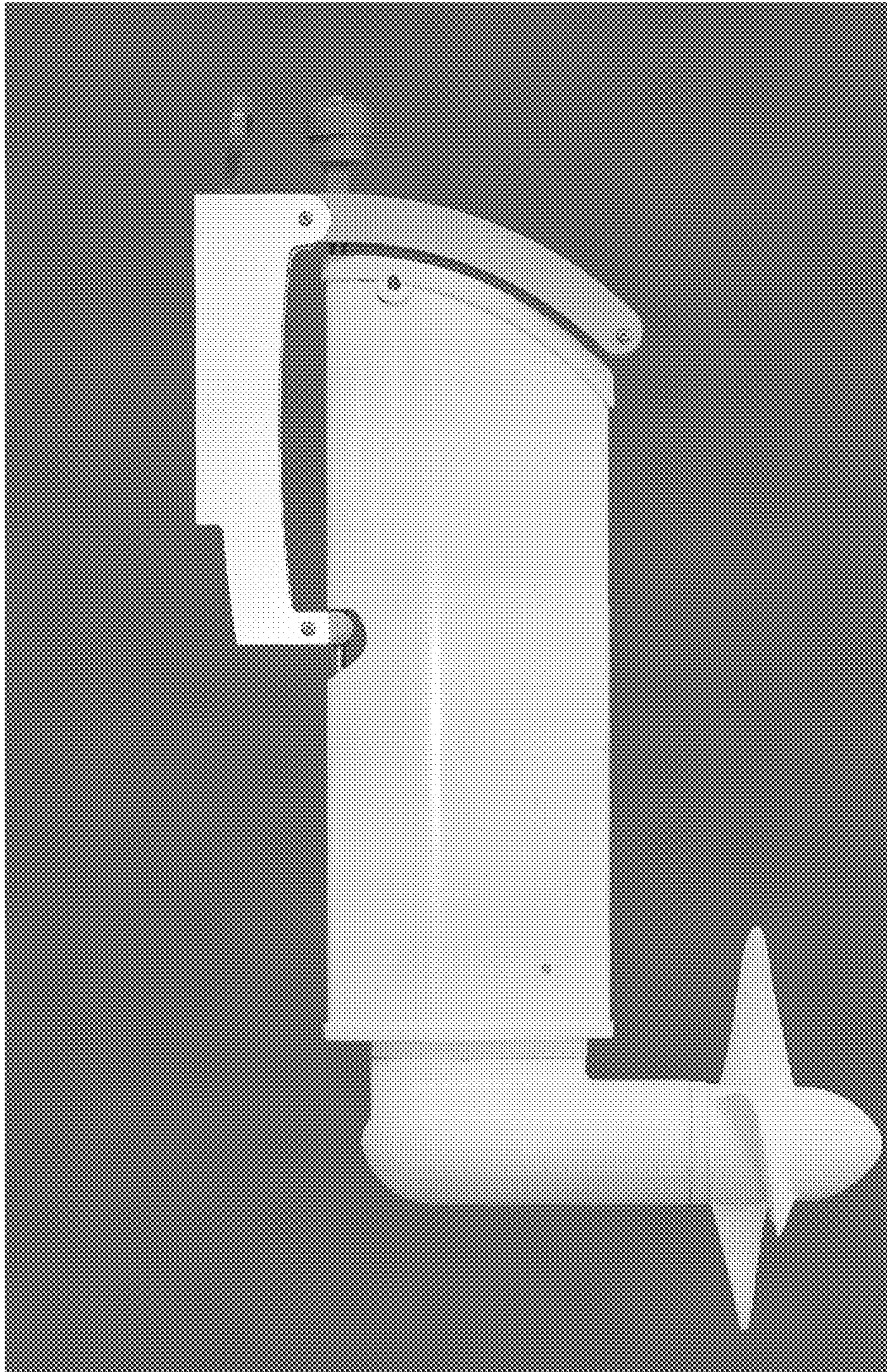


FIG. 8

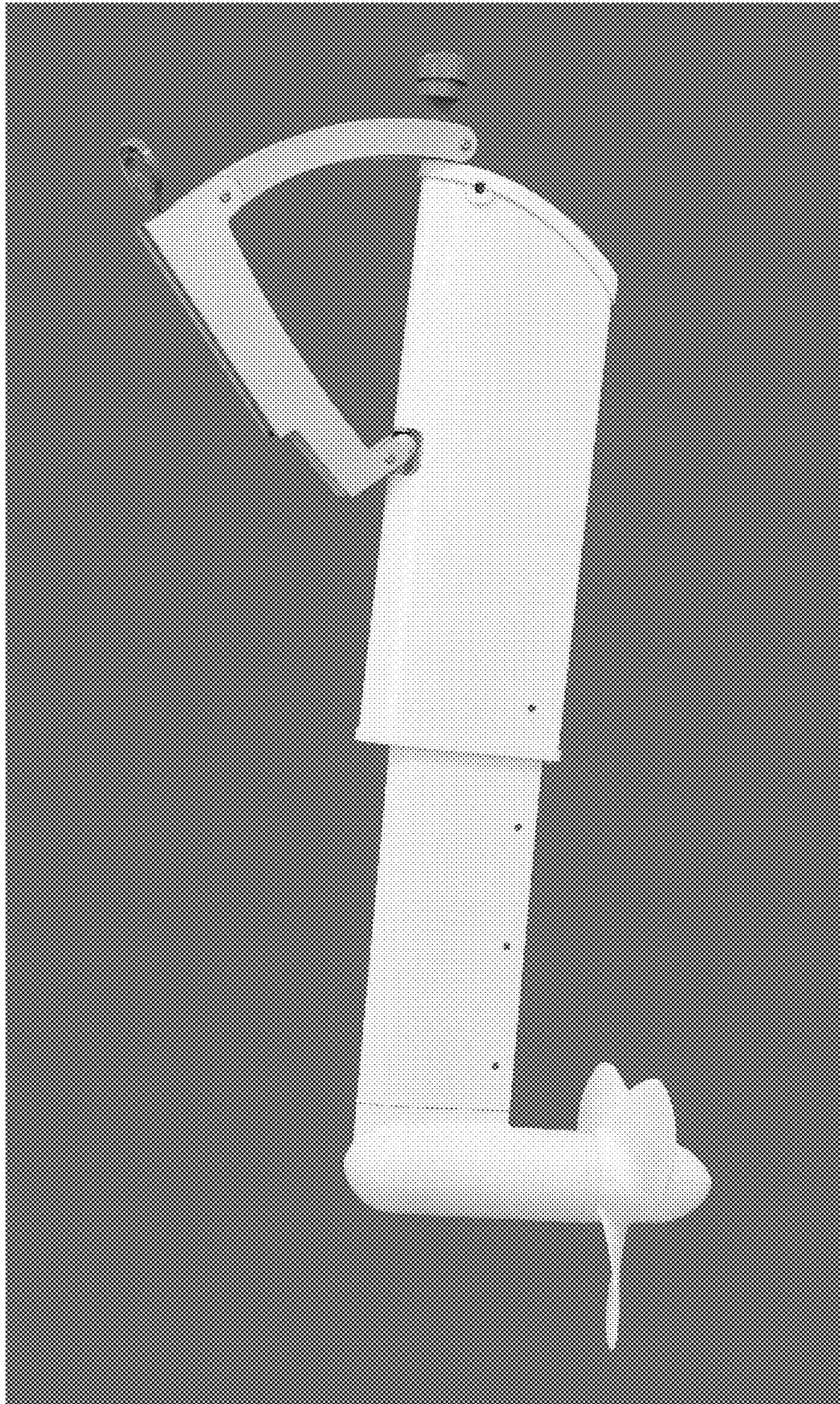


FIG. 9

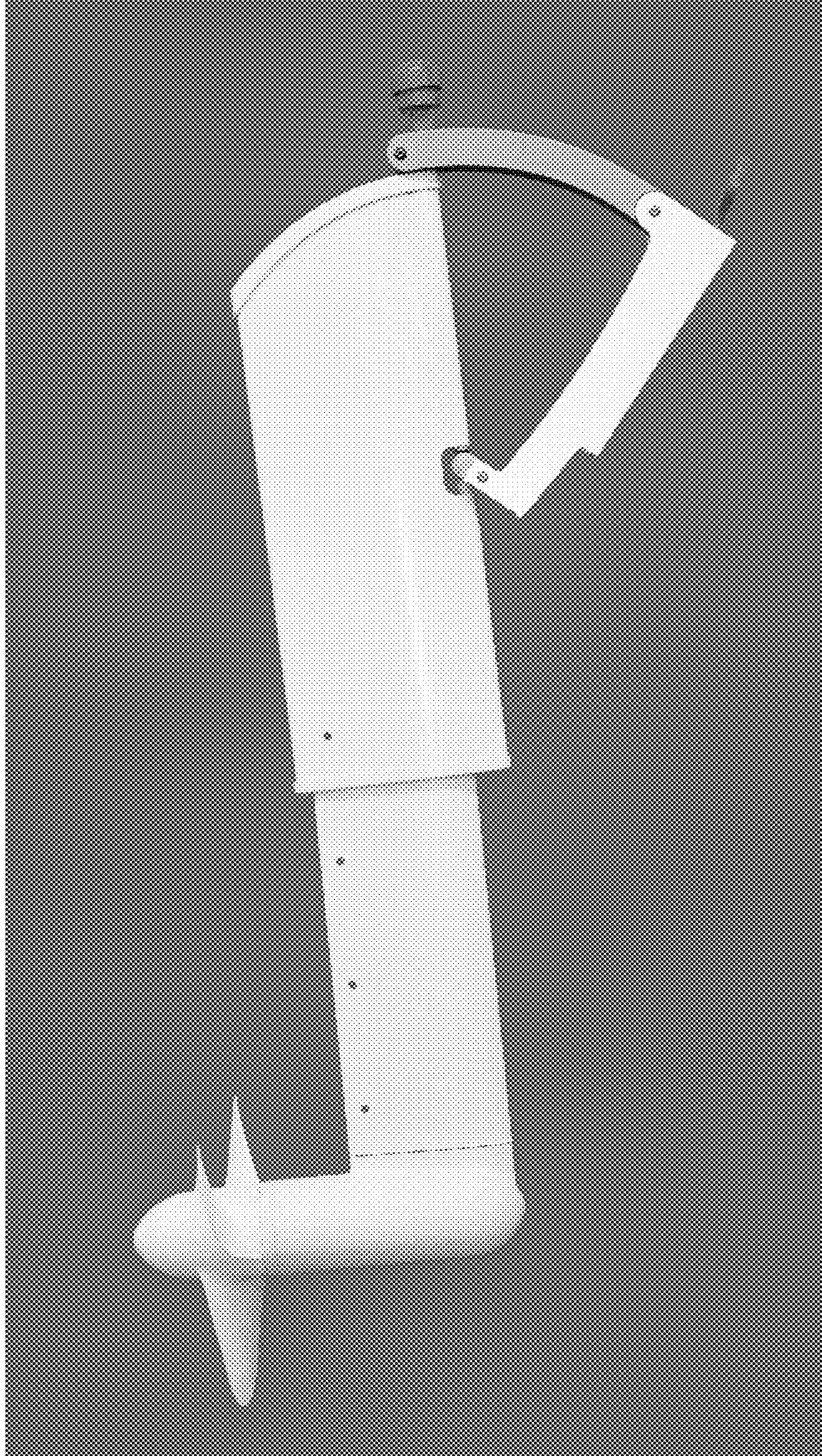


FIG. 10