



US00D917390S

(12) **United States Design Patent**
Tung

(10) **Patent No.:** **US D917,390 S**

(45) **Date of Patent:** **** Apr. 27, 2021**

(54) **CHARGER**

(71) Applicant: **PHILIP MORRIS PRODUCTS S.A.**,
Neuchatel (CH)

(72) Inventor: **Jeffrey Tung**, San Francisco, CA (US)

(73) Assignee: **PHILIP MORRIS PRODUCTS S.A.**,
Neuchatel (CH)

(**) Term: **15 Years**

(21) Appl. No.: **29/706,158**

(22) Filed: **Sep. 18, 2019**

(30) **Foreign Application Priority Data**

May 17, 2019	(EM)	006480570-0001
May 17, 2019	(EM)	006480570-0002
May 17, 2019	(EM)	006480570-0003
May 17, 2019	(EM)	006480570-0004
May 17, 2019	(EM)	006480570-0005
May 17, 2019	(EM)	006480570-0006

(51) **LOC (13) Cl.** **13-02**

(52) **U.S. Cl.**
USPC **D13/108**

(58) **Field of Classification Search**
USPC D13/103, 107-108, 110, 184, 199;
D14/251, 253, 432, 434
CPC H02J 7/0044; H02J 7/0045; H02J 7/0042;
H02J 7/342; H02J 7/345; H02J 7/025;
H02J 7/026; H02J 7/0007; H02J 7/0027;
H02J 7/0003; H02J 50/00; H02J 50/10;
H02J 50/12; H02J 50/80; H02J 50/40;
H02J 50/402; H02J 50/50

See application file for complete search history.

(56) **References Cited**

U.S. PATENT DOCUMENTS

D300,678 S	*	4/1989	Barrault	D13/108
D578,475 S	*	10/2008	Beedham	D13/108

D669,027 S	*	10/2012	Kumpula	D13/108
D682,198 S	*	5/2013	Vu	D13/108
D725,034 S	*	3/2015	Chen	D13/108
D747,267 S	*	1/2016	Aumiller	D13/108
D768,570 S	*	10/2016	Shigeno	D13/108
D802,529 S	*	11/2017	Andersson	D13/108

(Continued)

FOREIGN PATENT DOCUMENTS

KR 30-0807203 S 7/2015

OTHER PUBLICATIONS

Japanese Office Action dated Feb. 2, 2020 in Japanese Patent Application No. 2019-020328 (with English translation), 2 pages.

(Continued)

Primary Examiner — Rosemary K Tarcza
(74) *Attorney, Agent, or Firm* — Oblon, McClelland,
Maier & Neustadt, L.L.P.

(57) **CLAIM**

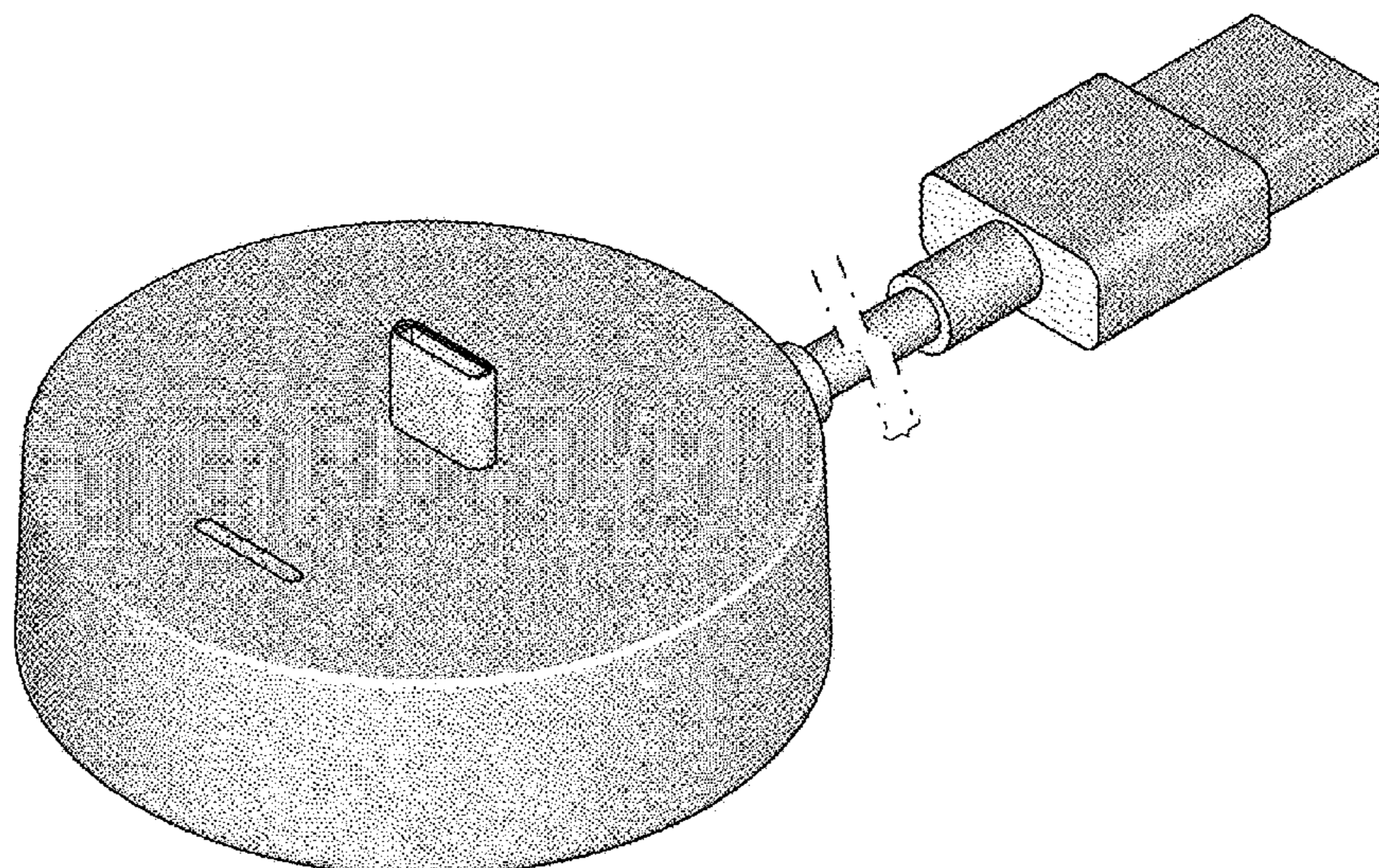
The ornamental design for a charger, as shown and described.

DESCRIPTION

FIG. 1 is a front, top, and right side perspective view of a first embodiment of a charger;
FIG. 2 is a right side elevational view thereof;
FIG. 3 is a left side elevational view thereof;
FIG. 4 is a front elevational view thereof;
FIG. 5 is a rear elevational view thereof;
FIG. 6 is a top plan view thereof;
FIG. 7 is a bottom plan view thereof; and,
FIG. 8 is a front, top, and right side perspective view of a second embodiment thereof.

The dash-dot broken lines represent a symbolic break in length. The appearance of any portion of the article between the break lines forms no part of the claimed design.

1 Claim, 8 Drawing Sheets



(56)

References Cited

U.S. PATENT DOCUMENTS

D839,189	S	*	1/2019	Miller	D13/108
D849,130	S	*	5/2019	Yaginuma	D18/12
D850,367	S	*	6/2019	Xiong	D13/108
D850,372	S	*	6/2019	Kong	D13/108
D855,567	S	*	8/2019	Cai	D13/108
D859,307	S	*	9/2019	Campos	D13/108
D870,663	S	*	12/2019	Schubert	D13/108
D870,664	S	*	12/2019	Langhammer	D13/108
D870,665	S	*	12/2019	Schubert	D13/108
D884,624	S	*	5/2020	Lei	D13/108
D887,976	S	*	6/2020	Tung	D13/108
D891,366	S	*	7/2020	Xie	D13/108

OTHER PUBLICATIONS

HJ 28037636 , “Just Mobile”, Retrieved from the internet: URL:
http://www.just-mobile.com/hoverdock-iphone.html#.V-t8jH_oVk, Just
Mobile Ltd., Sep. 29, 2016, 3 pages.

* cited by examiner

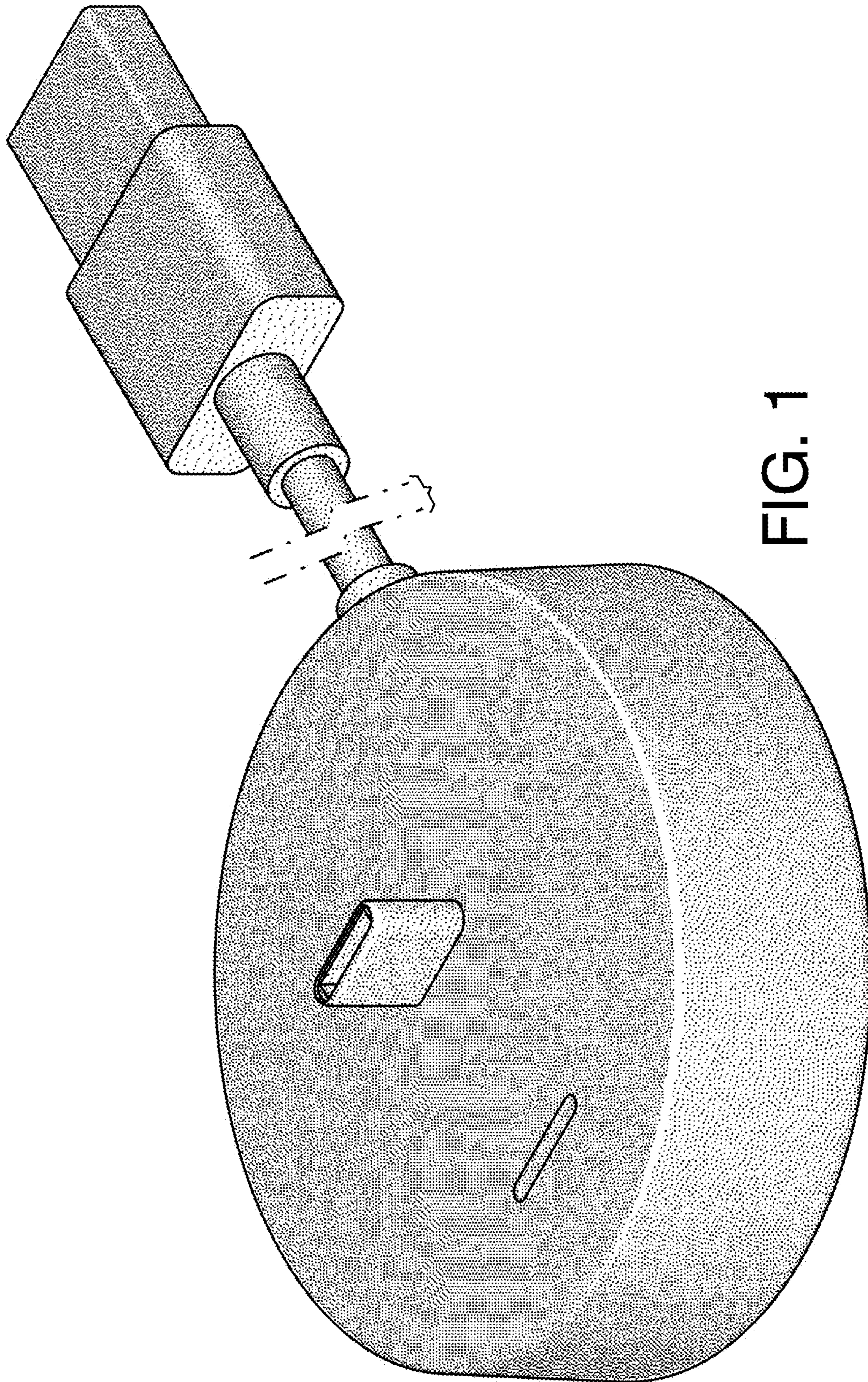


FIG. 1

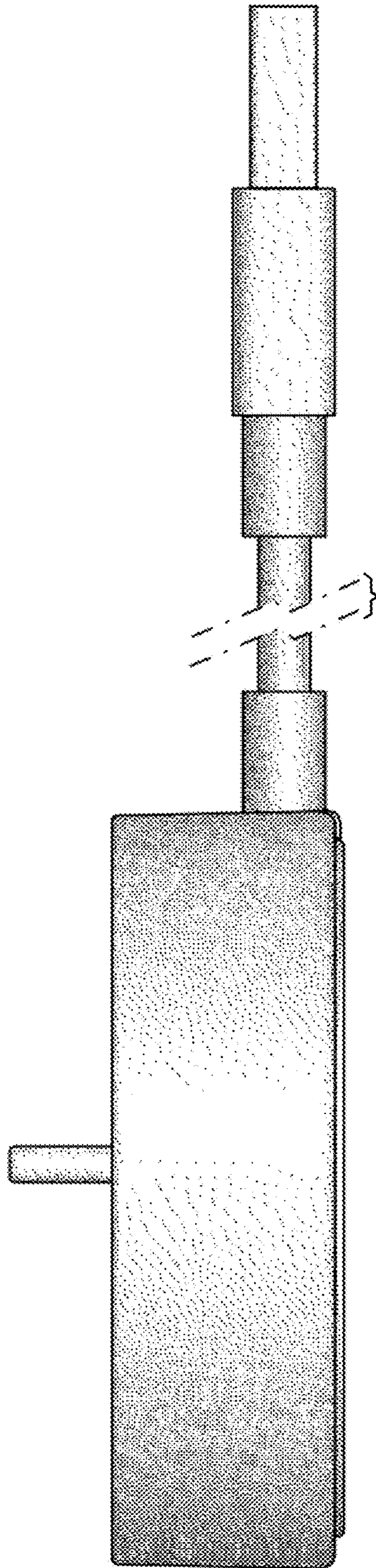


FIG. 2

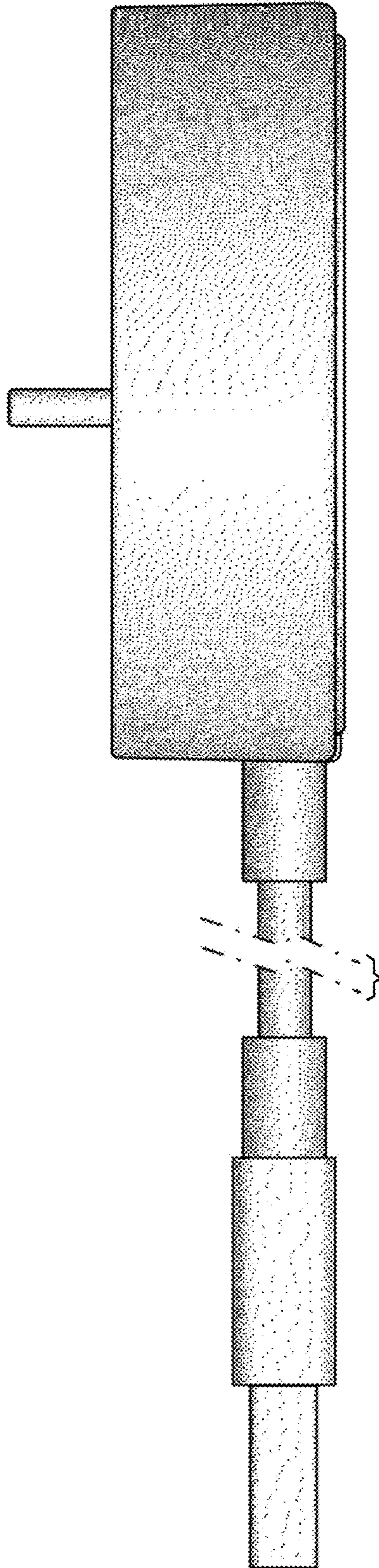


FIG. 3

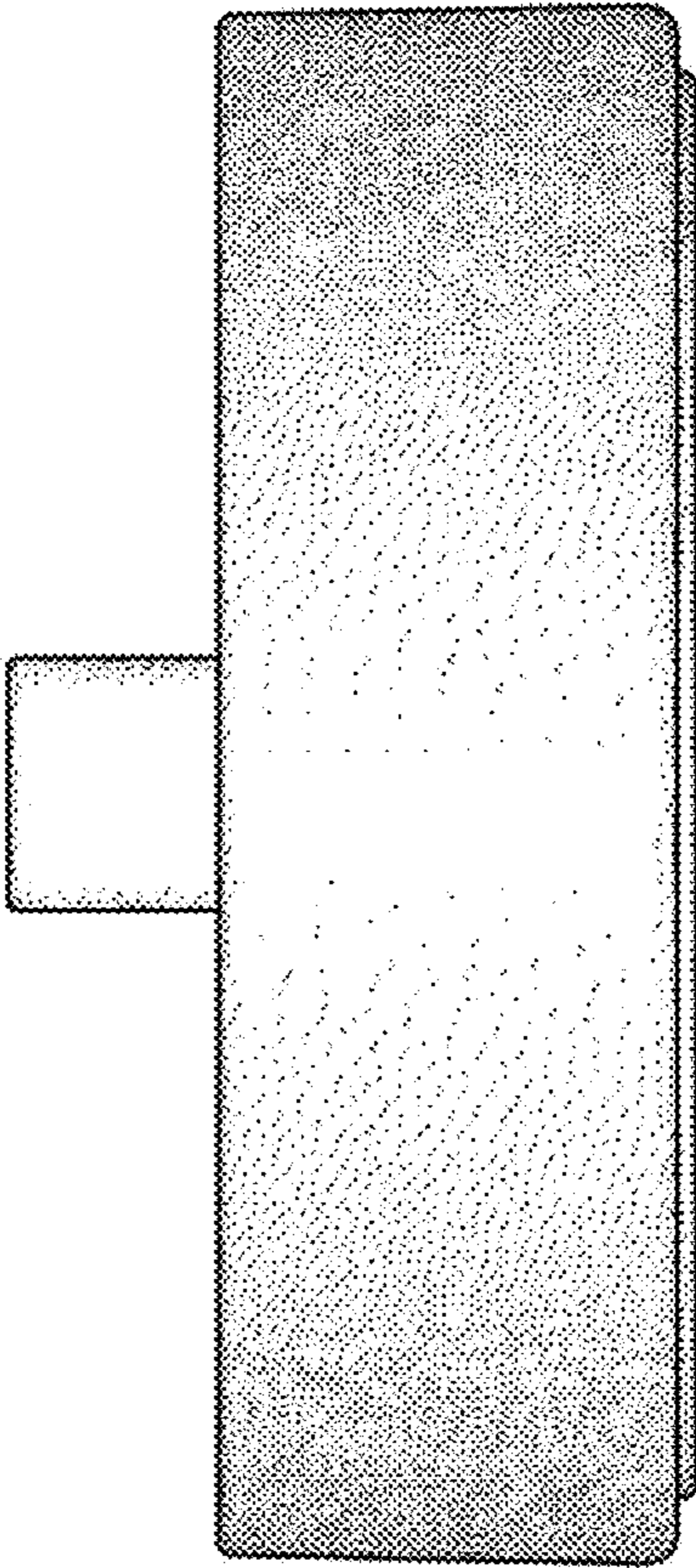


FIG. 4

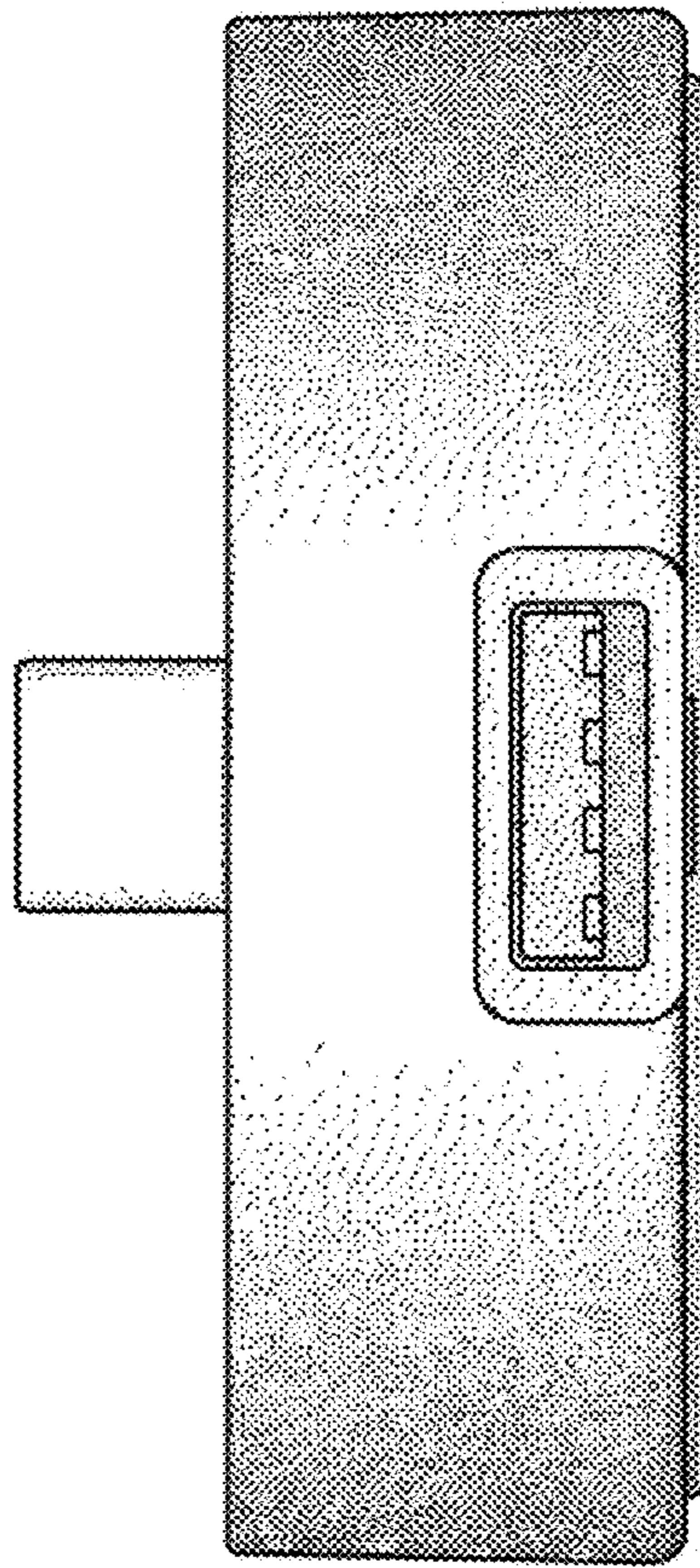


FIG. 5

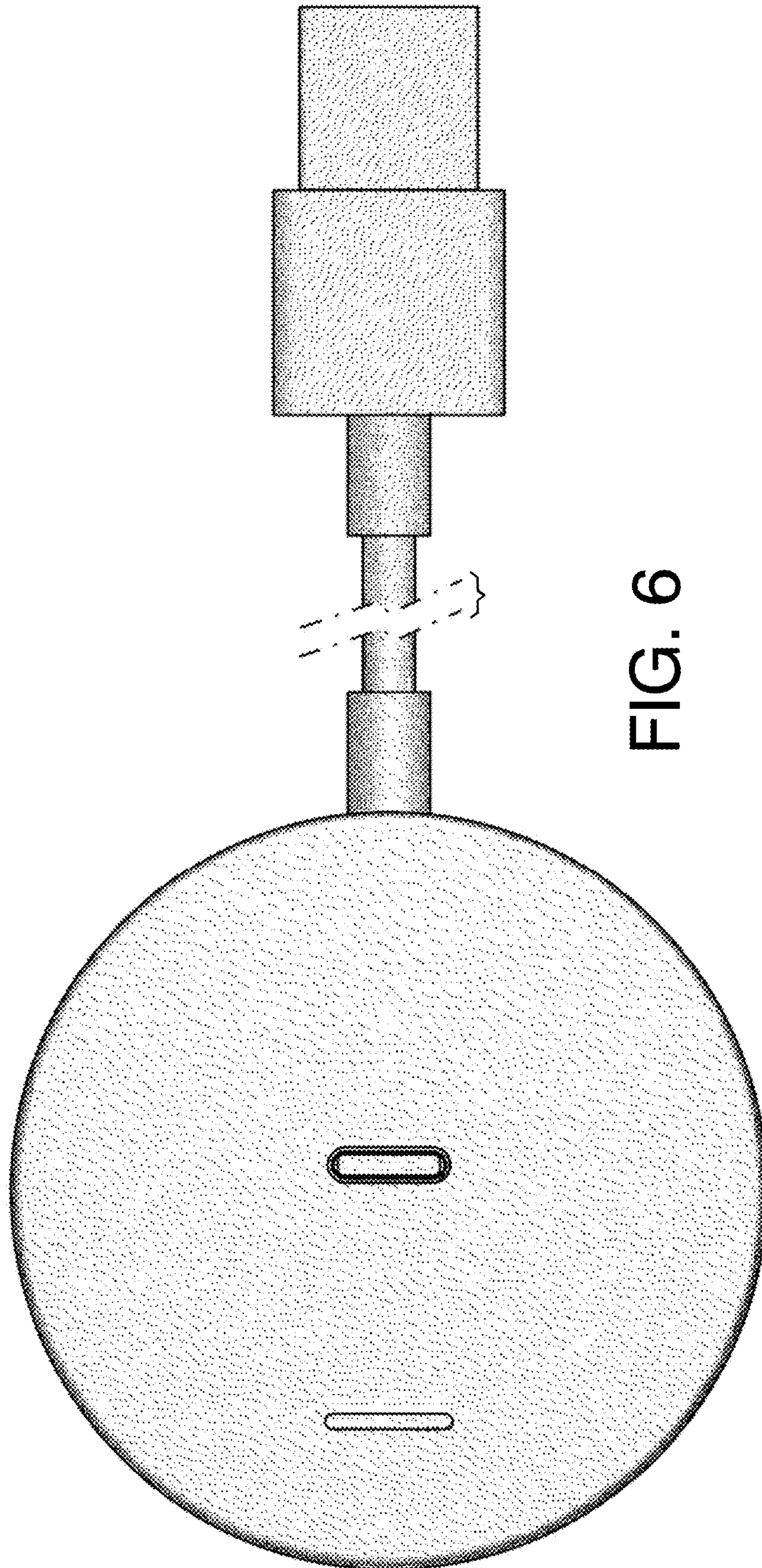


FIG. 6

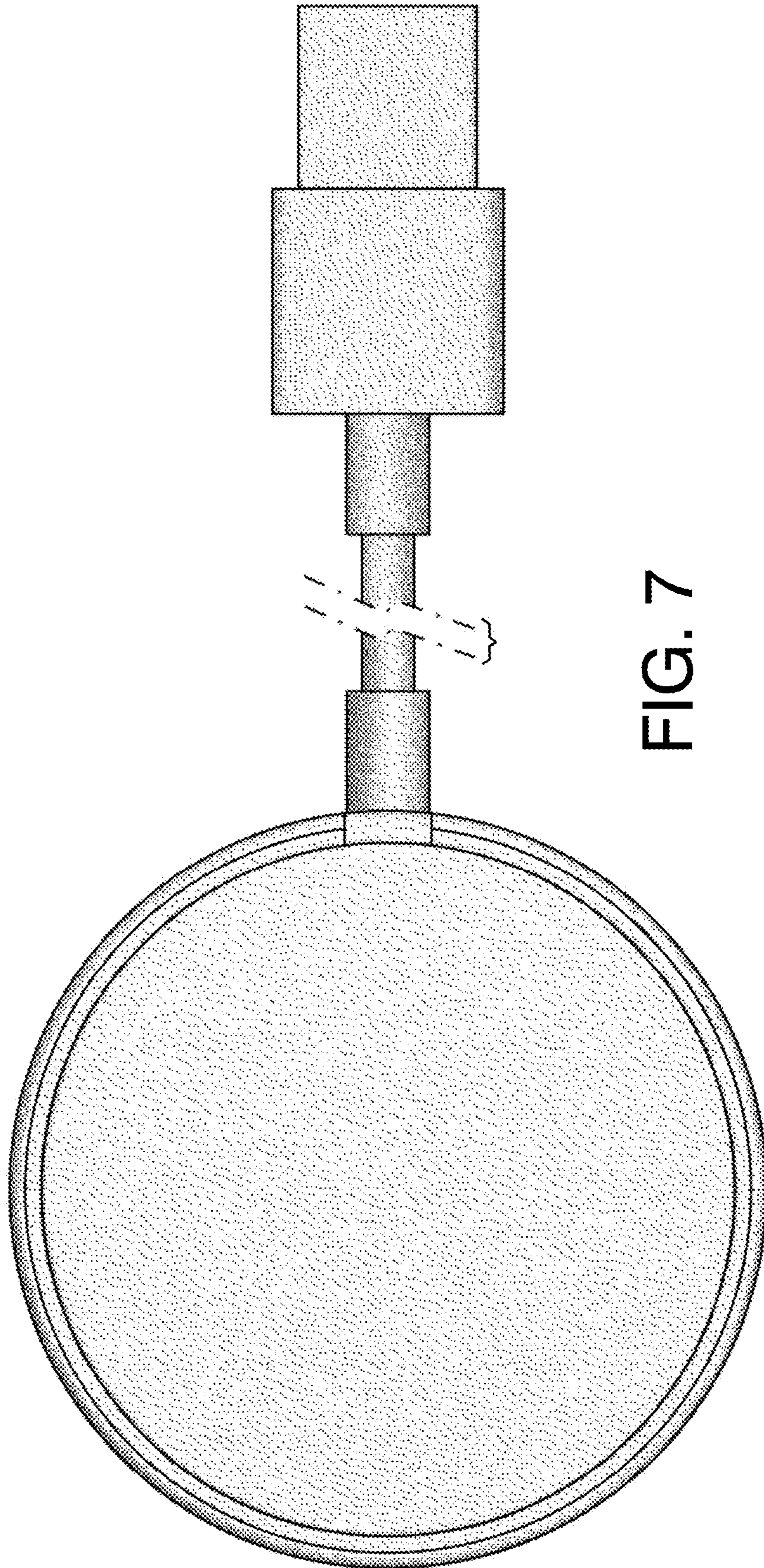


FIG. 7

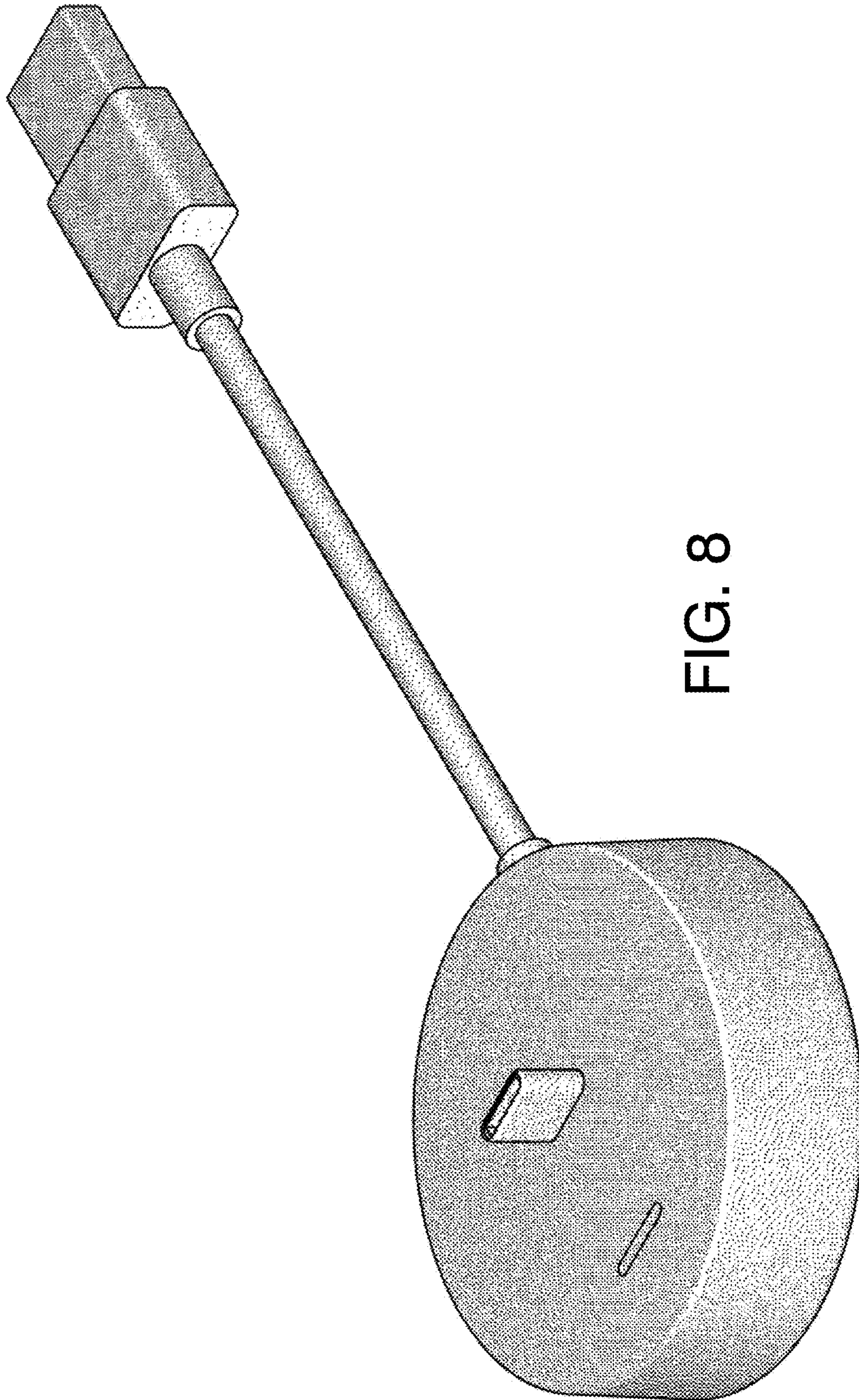


FIG. 8