



US00D917389S

(12) **United States Design Patent**  
**Ye**

(10) **Patent No.:** **US D917,389 S**  
(45) **Date of Patent:** **\*\* Apr. 27, 2021**

(54) **EARPHONE CHARGING BOX**

(71) Applicant: **Linfei Ye**, Shenzhen (CN)

(72) Inventor: **Linfei Ye**, Shenzhen (CN)

(\*\*) Term: **15 Years**

(21) Appl. No.: **29/704,886**

(22) Filed: **Sep. 9, 2019**

(51) **LOC (13) Cl.** ..... **13-02**

(52) **U.S. Cl.**  
USPC ..... **D13/108**

(58) **Field of Classification Search**  
USPC ..... D13/107-110, 118-119, 184; D14/223,  
D14/205, 206, 217, 219, 226, 440, 251,  
D14/253, 432, 434; D3/294, 201;  
D29/112  
CPC ..... Y02E 60/12; Y02T 90/14; Y02T 90/122;  
Y02T 90/128; Y02T 90/163; H02J 7/025;  
H02J 7/0042; H02J 7/0044; H02J 7/0045;  
H02J 7/0013; H02J 7/0003; H01F 38/14;  
H01M 2/1022; H01M 2/1055; H01M  
10/44; H01M 10/46; H01M 10/425; B60L  
11/182

See application file for complete search history.

(56) **References Cited**

**U.S. PATENT DOCUMENTS**

D257,487 S \* 11/1980 Thomas ..... D24/218  
D655,045 S \* 2/2012 Paschoal ..... D28/83  
D734,944 S \* 7/2015 Levinson ..... D3/242  
D738,110 S \* 9/2015 Jiang ..... D3/294  
D839,583 S \* 2/2019 Cao ..... D3/201

D841,581 S \* 2/2019 Bonahoom ..... D13/108  
D846,264 S \* 4/2019 Wu ..... D3/201  
D864,110 S \* 10/2019 Yoshimura ..... D13/108  
D873,217 S \* 1/2020 Zhang ..... D13/108  
D876,821 S \* 3/2020 Lee ..... D3/203.3  
D881,810 S \* 4/2020 Zhang ..... D13/108  
D888,423 S \* 6/2020 Chen ..... D3/274  
D892,045 S \* 8/2020 Zhang ..... D13/108

\* cited by examiner

*Primary Examiner* — Nathaniel D. Buckner

(57) **CLAIM**

The ornamental design for an earphone charging box, as shown and described.

**DESCRIPTION**

FIG. 1 is a first perspective view of an earphone charging box showing my new design;  
FIG. 2 is a second perspective view thereof;  
FIG. 3 is a front view thereof;  
FIG. 4 is a back view thereof;  
FIG. 5 is a left side view thereof;  
FIG. 6 is a right side view thereof;  
FIG. 7 is a top view thereof;  
FIG. 8 is a bottom view thereof; and,  
FIG. 9 is a perspective view of an opening state of the earphone charging box thereof.  
The broken lines in the figures depict portions of the earphone charging box which form no part of the claimed design.

**1 Claim, 9 Drawing Sheets**

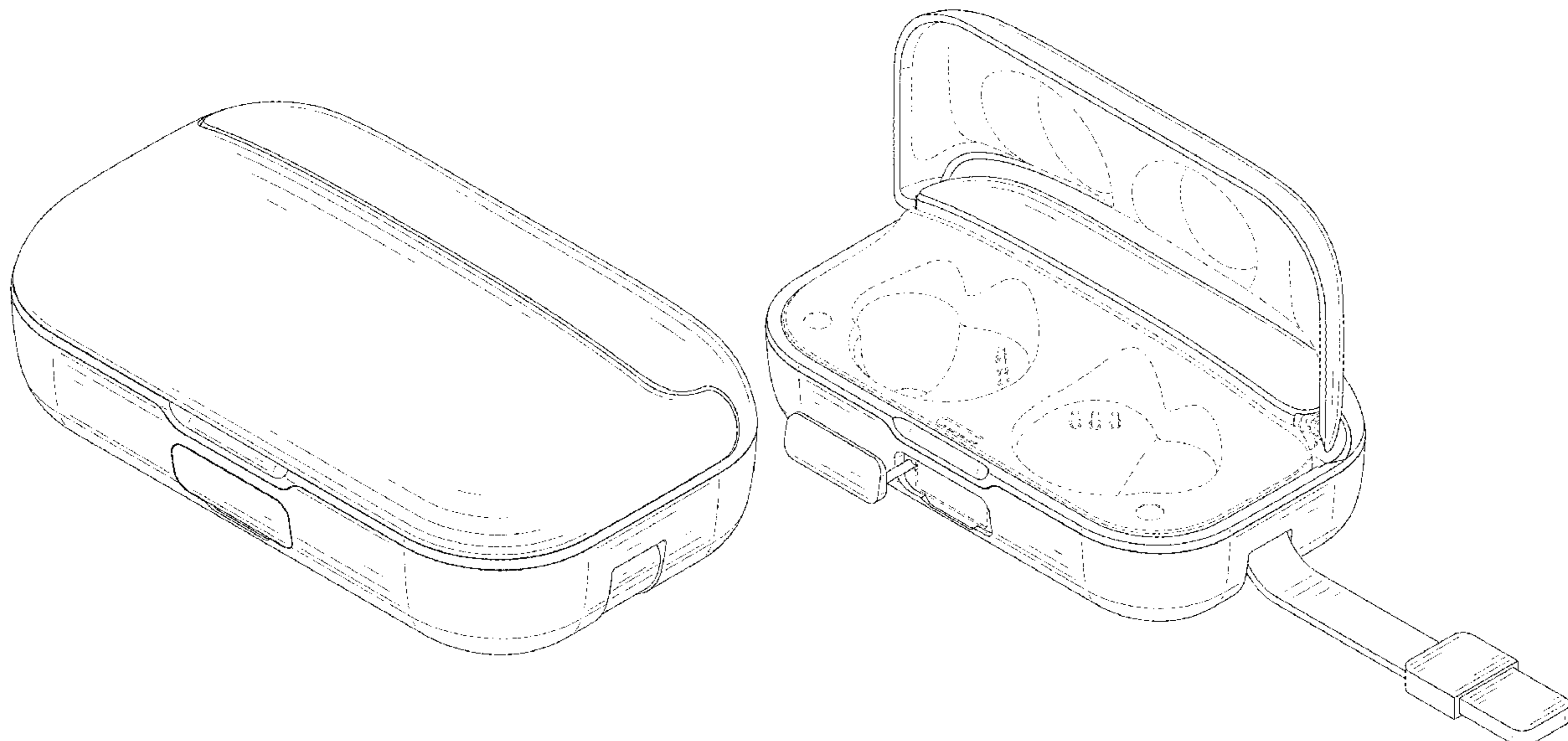




FIG. 1

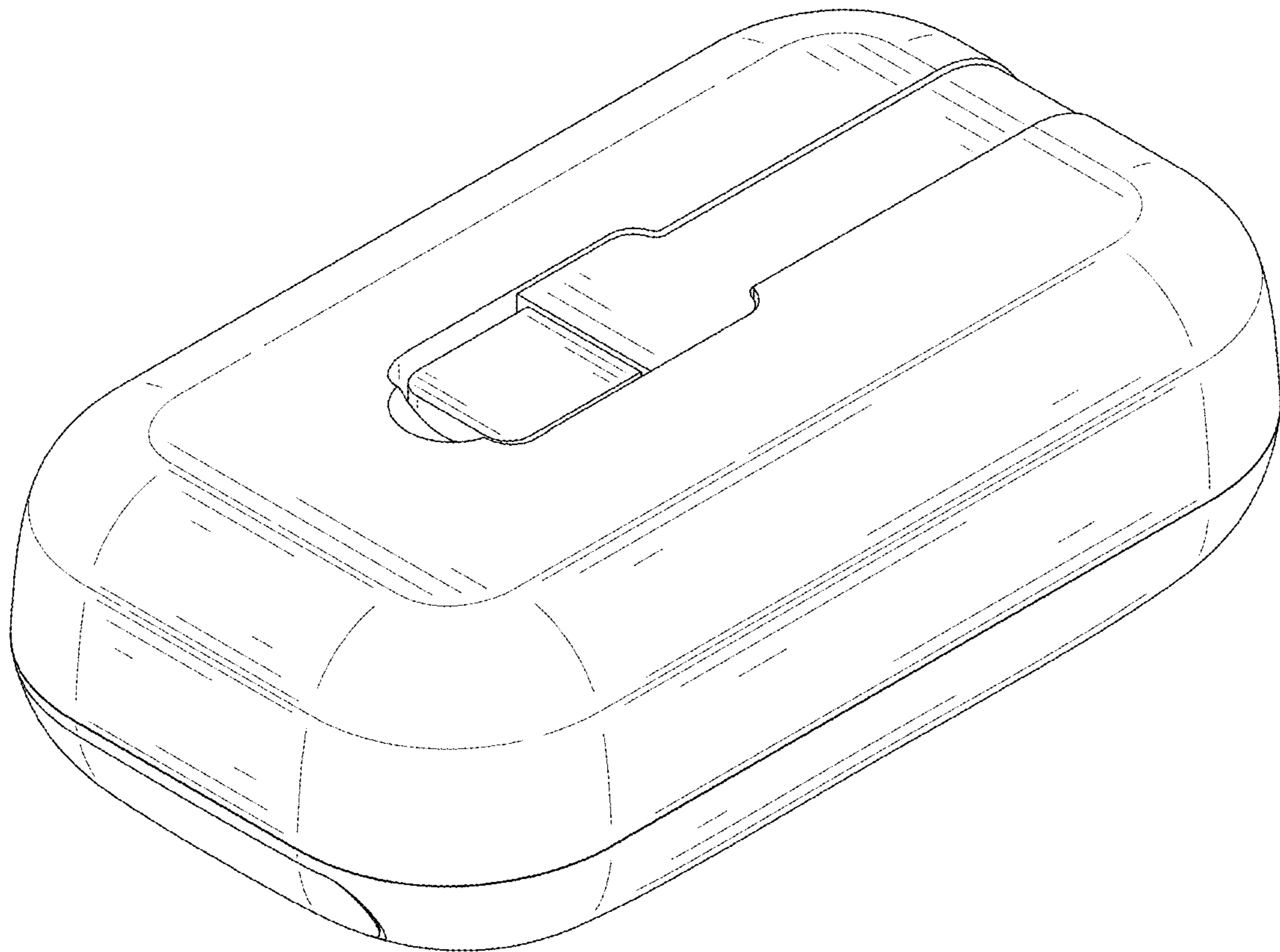


FIG. 2

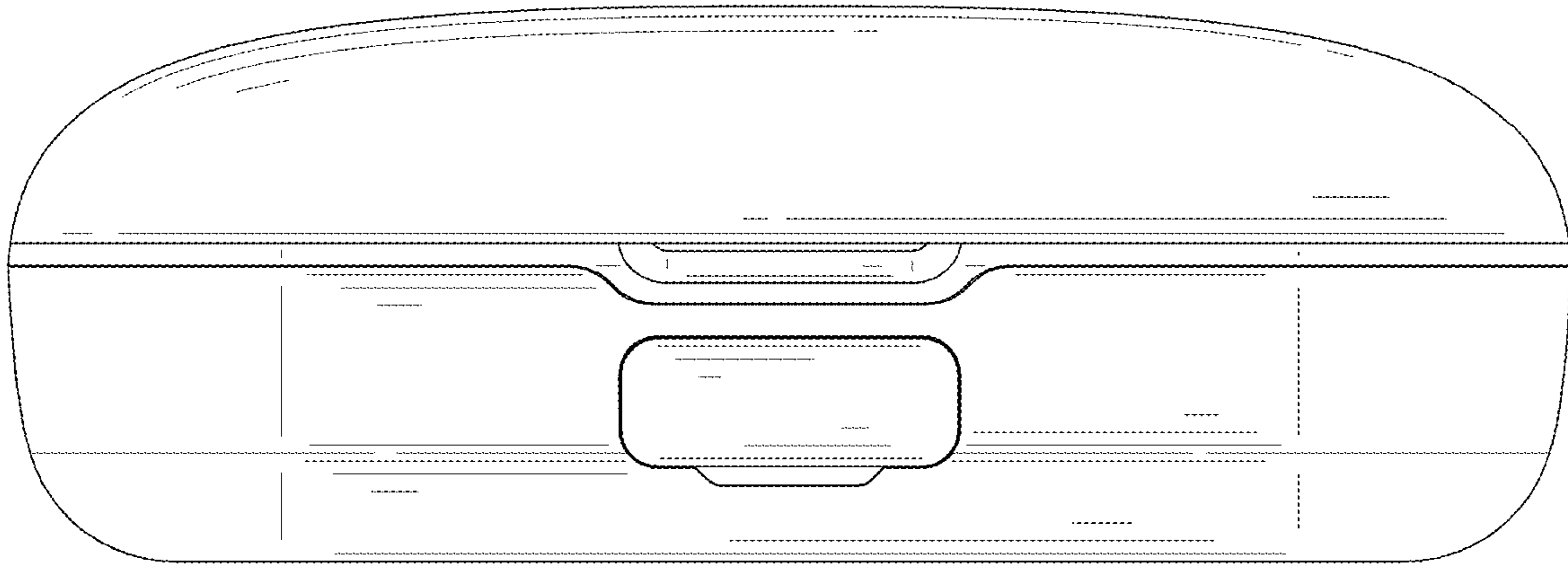


FIG. 3

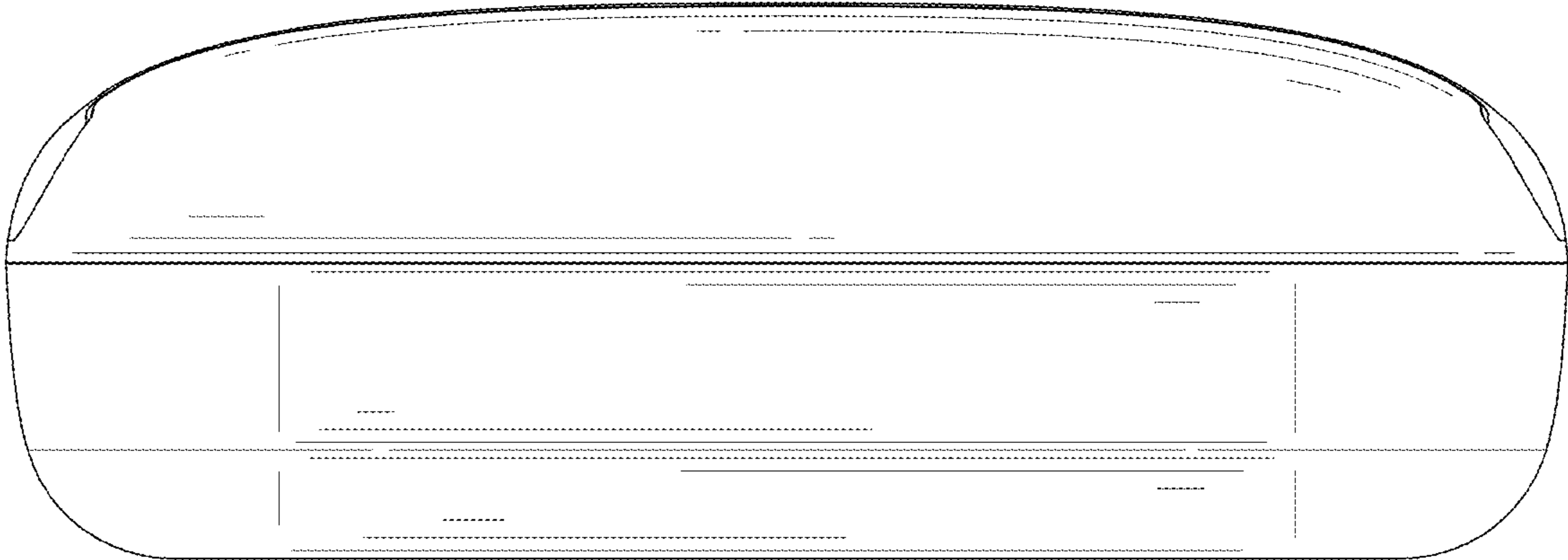


FIG. 4

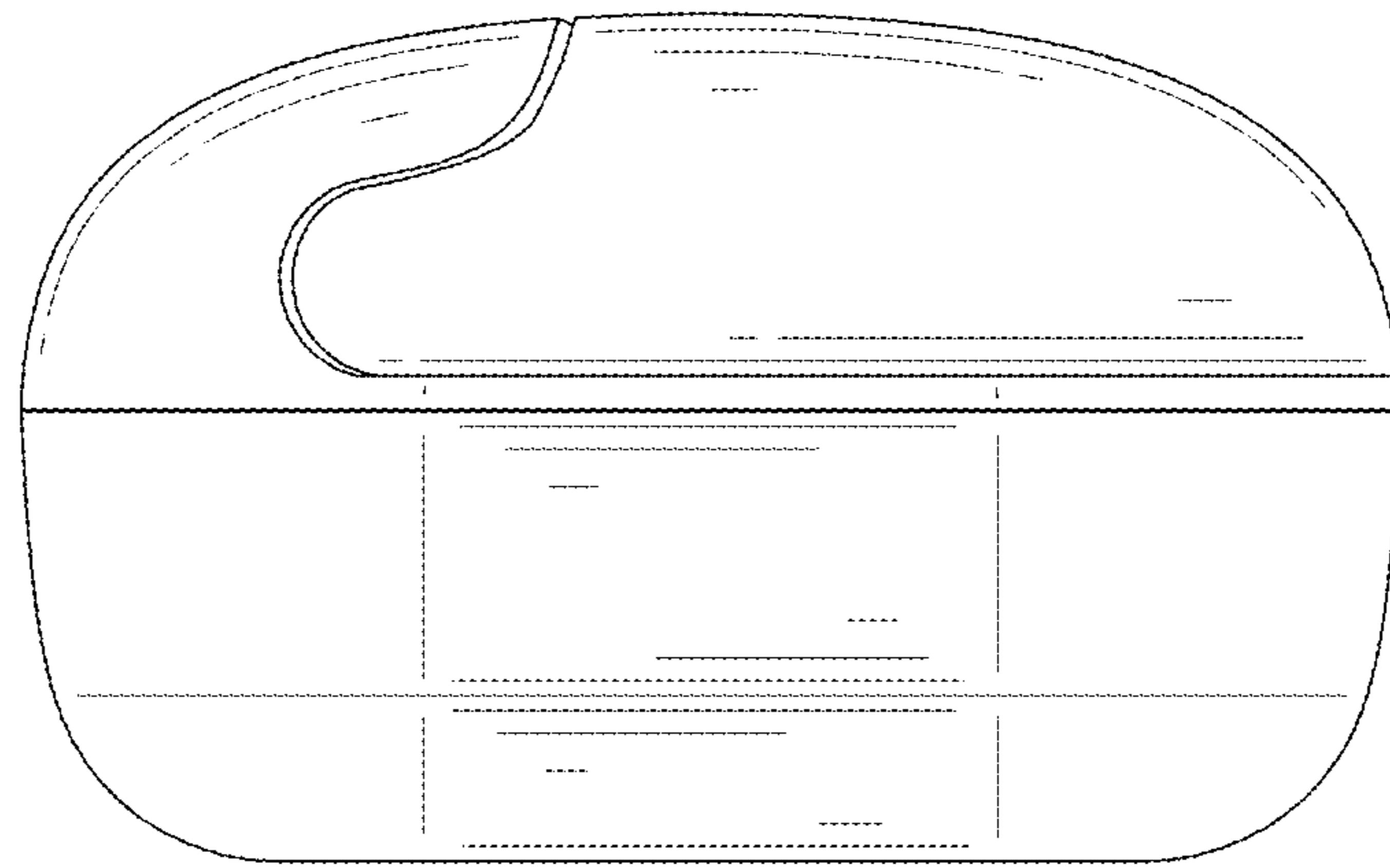


FIG. 5

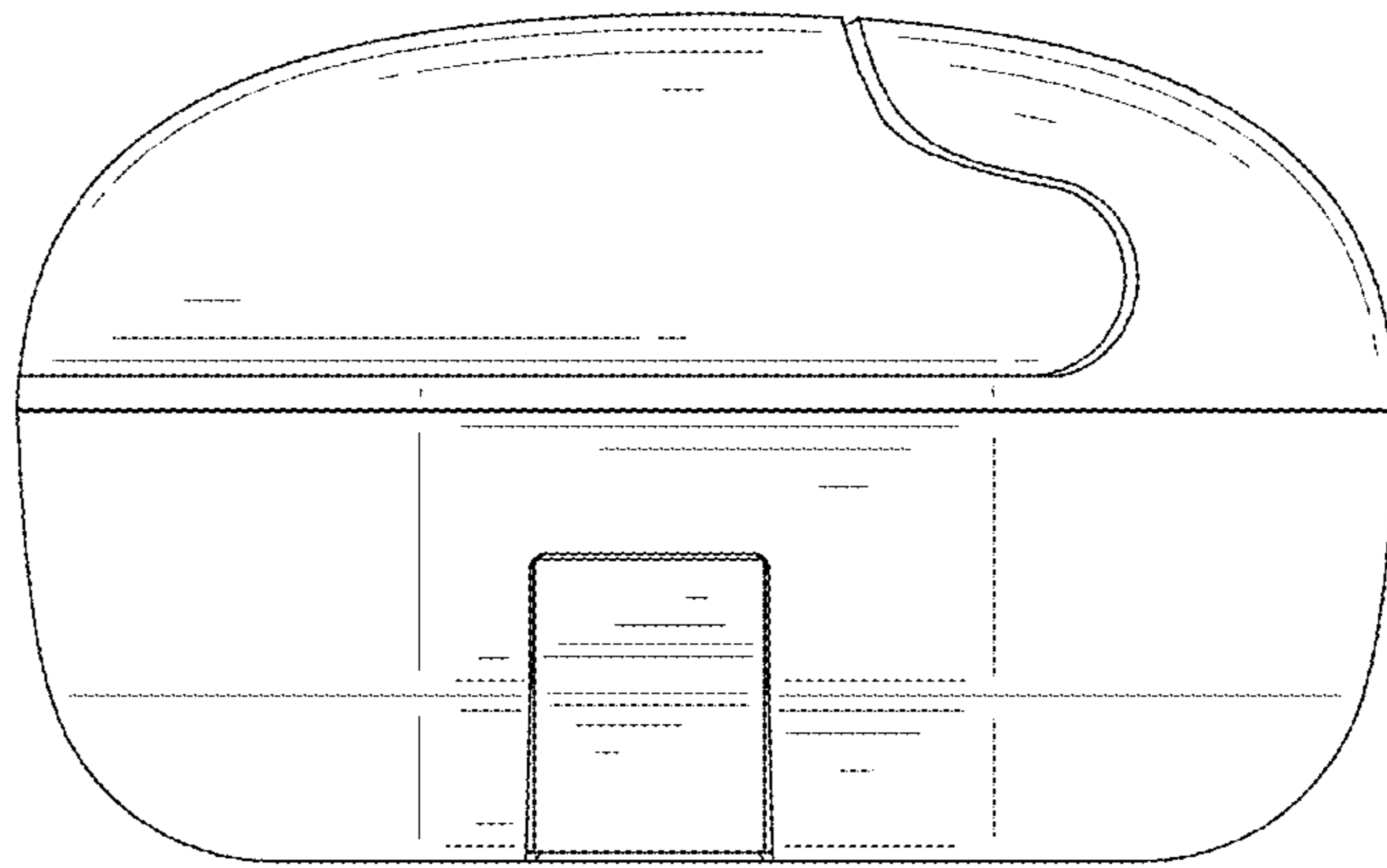


FIG. 6

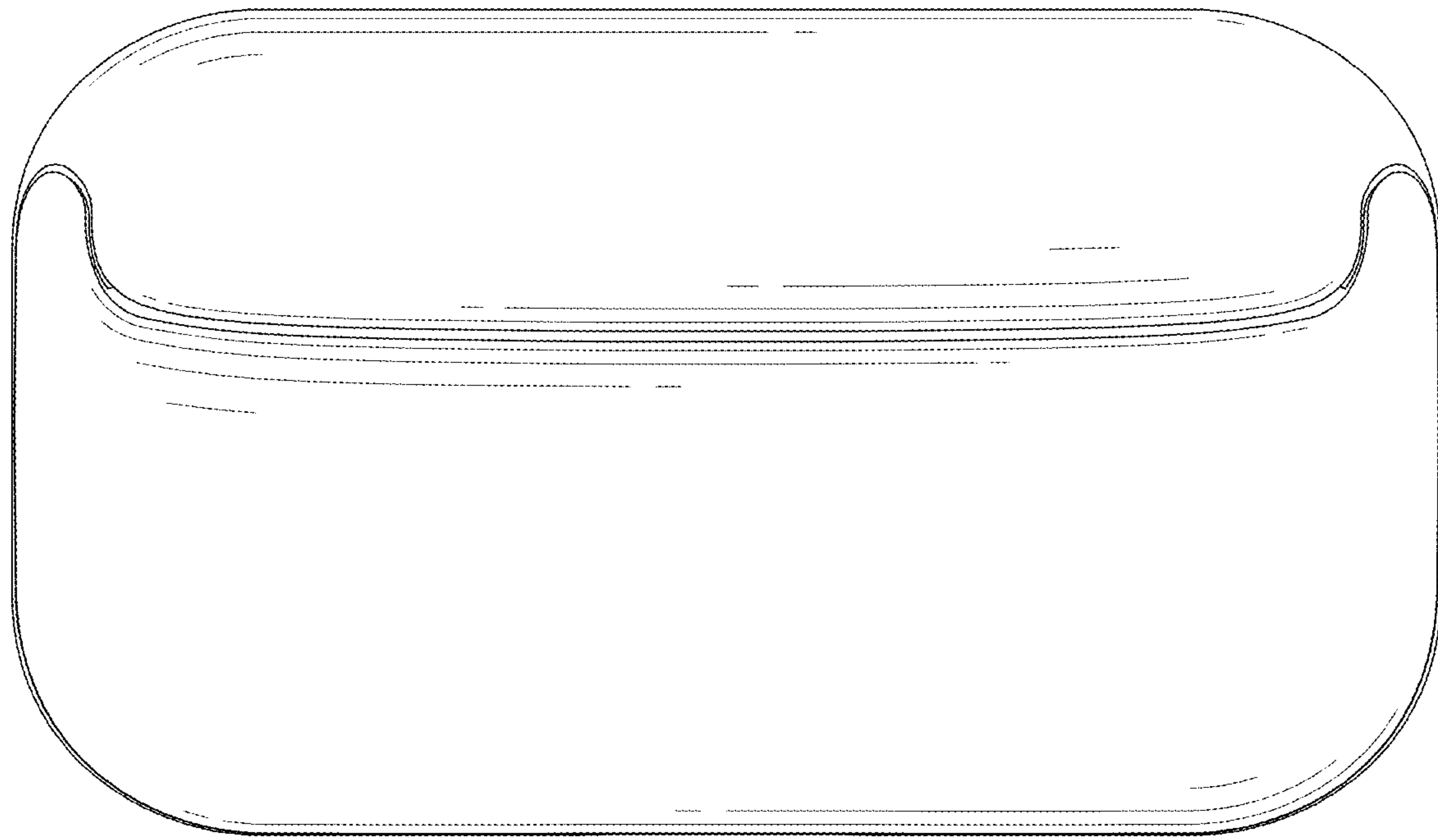


FIG. 7



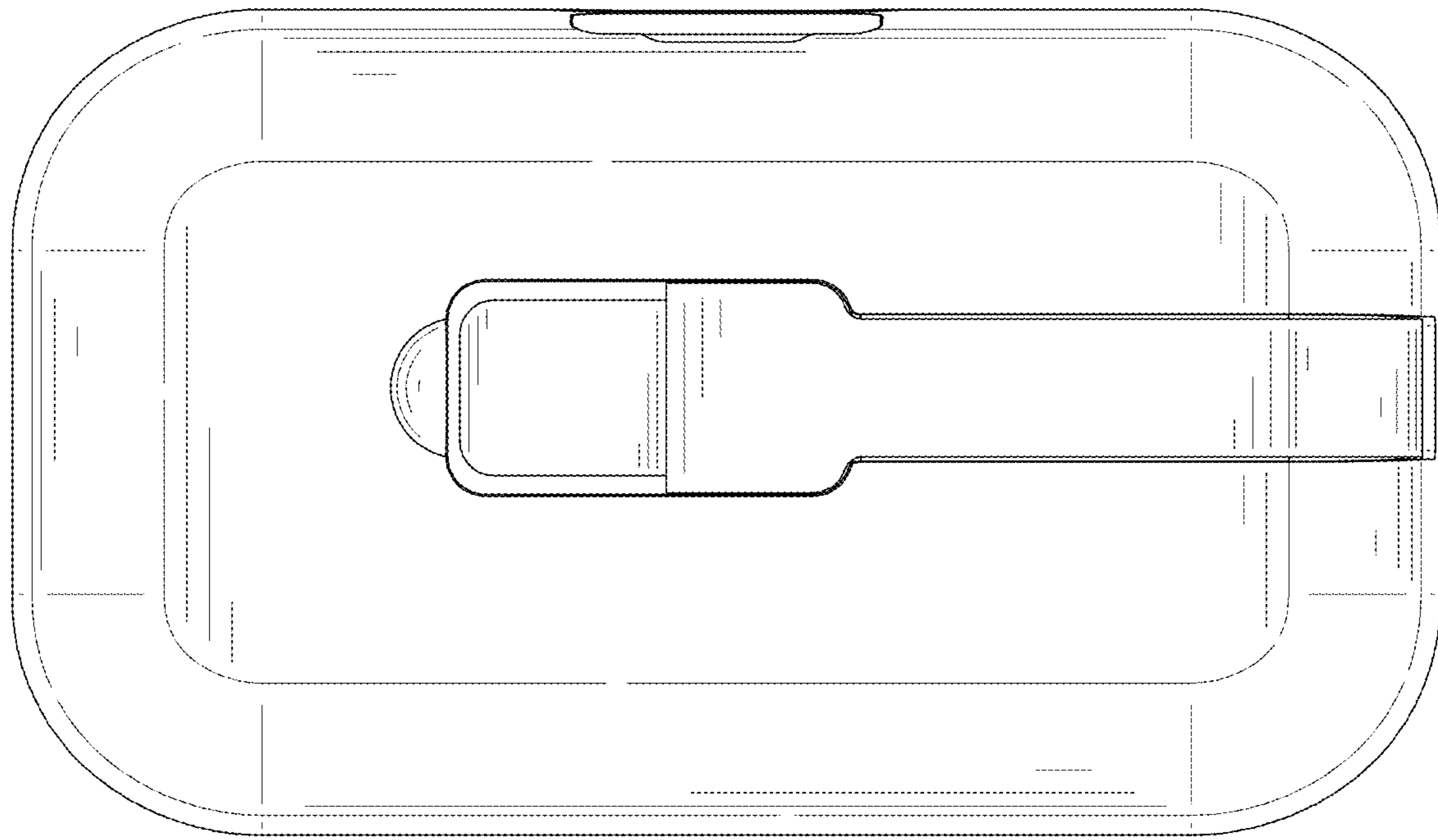


FIG. 8

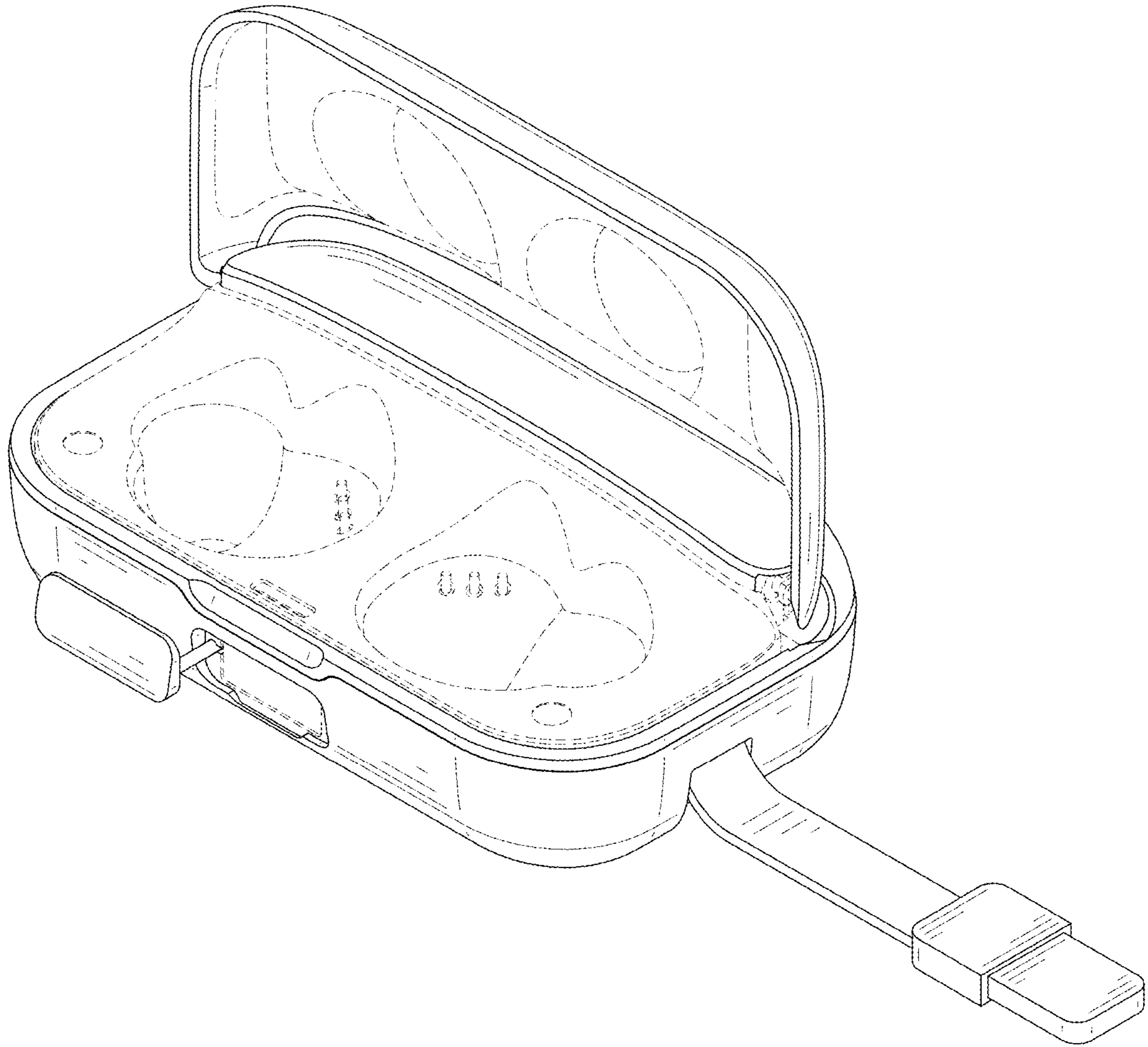


FIG. 9