

US00D917387S

(12) **United States Design Patent**
Ludwig et al.

(10) **Patent No.:** **US D917,387 S**

(45) **Date of Patent:** **** Apr. 27, 2021**

- (54) **BASE**
- (71) Applicant: **Steelcase Inc.**, Grand Rapids, MI (US)
- (72) Inventors: **James Ludwig**, Grand Rapids, MI (US); **Hyun Yoo**, Grand Rapids, MI (US)
- (73) Assignee: **Steelcase Inc.**, Grand Rapids, MI (US)
- (**) Term: **15 Years**
- (21) Appl. No.: **29/689,068**
- (22) Filed: **Apr. 26, 2019**
- (51) **LOC (13) Cl.** **13-02**
- (52) **U.S. Cl.**
USPC **D13/108**
- (58) **Field of Classification Search**
USPC D13/107–110, 118–119, 184; D4/251, D4/253, 432, 434
CPC Y02E 60/12; Y02T 90/14; Y02T 90/122; Y02T 90/128; Y02T 90/163; H02J 7/025; H02J 7/0042; H02J 7/0044; H02J 7/0045; H02J 7/0013; H02J 7/0003; H01F 38/14; H01R 13/6675; H01M 2/1022; H01M 2/1055; H01M 10/44; H01M 10/46; H01M 10/425; B60L 11/182
See application file for complete search history.

- D638,020 S 5/2011 Johnson et al.
- D656,459 S 3/2012 Crawley
- D657,308 S 4/2012 Fahrendorff et al.
- D662,878 S 7/2012 Fahrendorff et al.
- D664,143 S 7/2012 Chaturvedi et al.
- D677,828 S 3/2013 Daniels
- D677,829 S 3/2013 Daniels
- D677,830 S 3/2013 Daniels
- D677,959 S * 3/2013 Davis D6/559
- D705,160 S 5/2014 Ormesher et al.
- D707,667 S 6/2014 Kono et al.
- D709,445 S 7/2014 Yeh
- D729,163 S 5/2015 Meyer
- D740,750 S 10/2015 Mayden et al.
- D751,503 S * 3/2016 Fournier D13/108
- D754,599 S 4/2016 Yang
- D755,122 S 5/2016 Gecawicz et al.
- D756,914 S 5/2016 Rautiainen
- D768,570 S 10/2016 Shigeno et al.
- D770,973 S 11/2016 Toth et al.
- D774,454 S 12/2016 Kim et al.

(Continued)

Primary Examiner — Nathaniel D. Buckner
(74) *Attorney, Agent, or Firm* — Brinks Gilson & Lione

(57) **CLAIM**

We claim the ornamental design for a base, as shown and described.

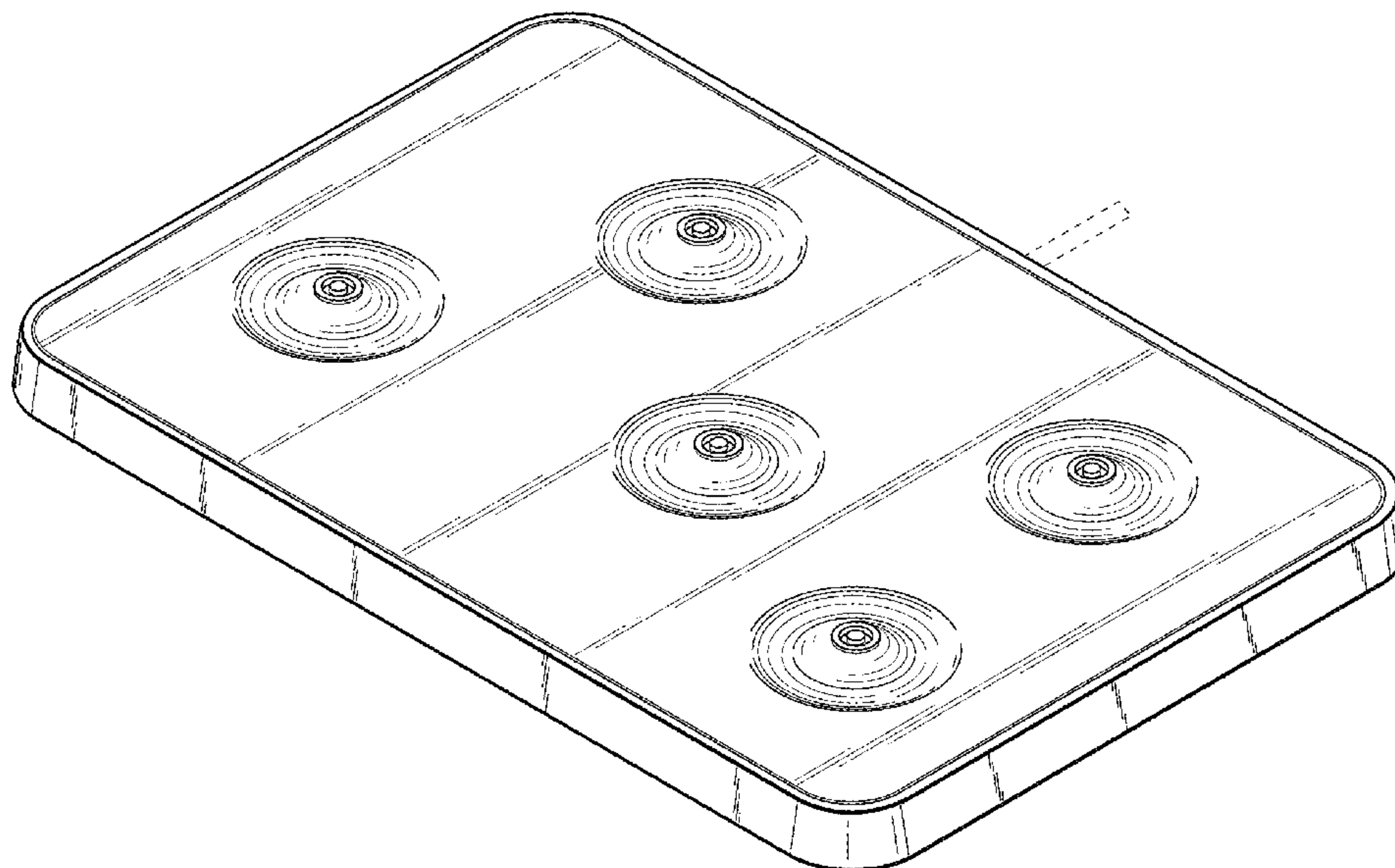
DESCRIPTION

FIG. 1 is a top perspective view of a base; FIG. 2 is a top plan view thereof; FIG. 3 is a bottom plan view thereof; FIG. 4 is a rear elevation view thereof; FIG. 5 is a front elevation view thereof; FIG. 6 is a left side elevation view thereof; FIG. 7 is a right side elevation view thereof; and, FIG. 8 is a bottom perspective view thereof. The broken lines depict the boundaries of the claim and form no part thereof.

1 Claim, 6 Drawing Sheets

(56) **References Cited**
U.S. PATENT DOCUMENTS

- D486,787 S 2/2004 Krieger et al.
- D492,443 S 6/2004 Smith et al.
- D510,562 S * 10/2005 Lodato D13/108
- D520,447 S * 5/2006 Liu D13/108
- D535,952 S * 1/2007 Fekete D14/299
- D578,703 S * 10/2008 Levine D26/113
- RE41,628 E 9/2010 Barbeau et al.
- D626,537 S * 11/2010 Lee D14/227
- D627,718 S 11/2010 Houghton



(56)

References Cited

U.S. PATENT DOCUMENTS

D784,287	S	4/2017	Murray et al.	
D788,700	S	6/2017	Yang	
D793,958	S	8/2017	Rautiainen	
D808,901	S	1/2018	Kelly et al.	
D808,902	S	1/2018	Qiu et al.	
D810,679	S	2/2018	Patton	
D812,560	S	3/2018	Xu	
D813,806	S	3/2018	Ito et al.	
D814,411	S	4/2018	Lahiri et al.	
D817,267	S	5/2018	Vitulli	
D820,623	S *	6/2018	Akana	D6/682.4
D821,307	S	6/2018	Calachan et al.	
D824,850	S	8/2018	Kojima et al.	
D827,189	S	8/2018	Li	
D837,146	S	1/2019	Kong et al.	
D839,185	S	1/2019	Jiang	
D853,324	S *	7/2019	Miller	D13/108
2006/0262525	A1 *	11/2006	Barbeau	H02J 7/0042 362/157
2008/0002413	A1 *	1/2008	Wang	F21V 14/04 362/341
2010/0124050	A1 *	5/2010	Hau	F21S 6/001 362/183
2014/0042962	A1 *	2/2014	Thompson	H02J 7/025 320/107

* cited by examiner

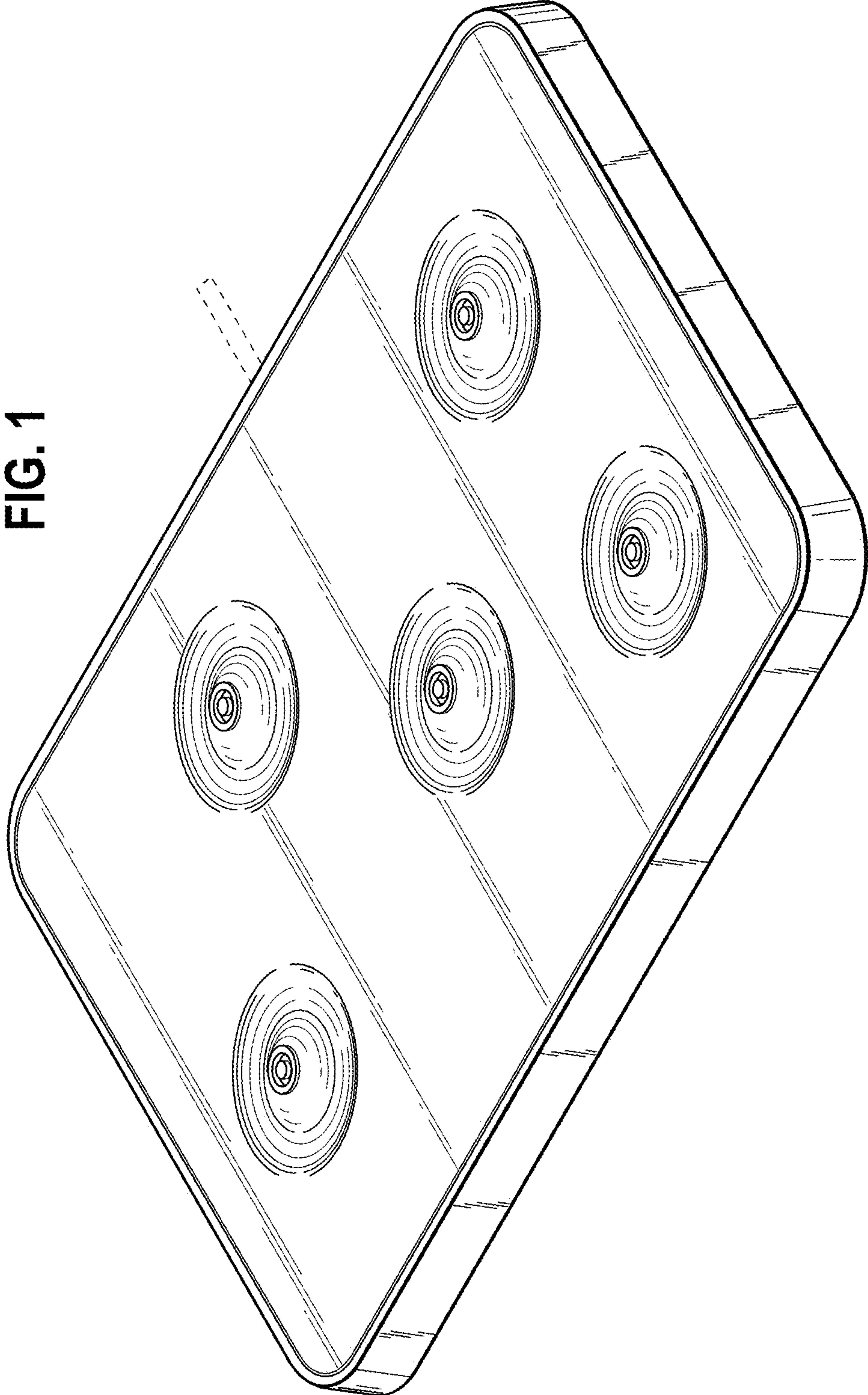


FIG. 1

FIG. 2

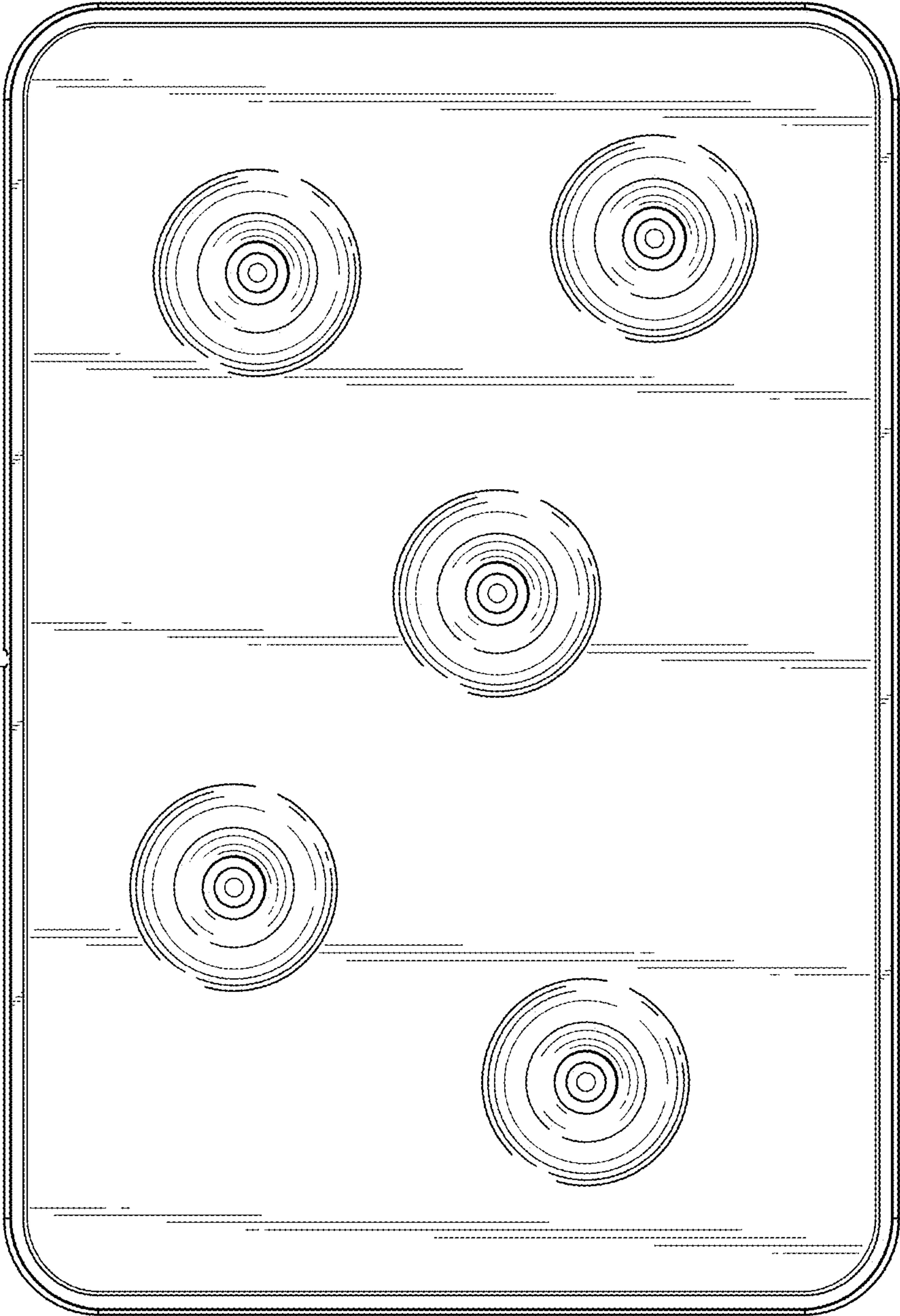


FIG. 3

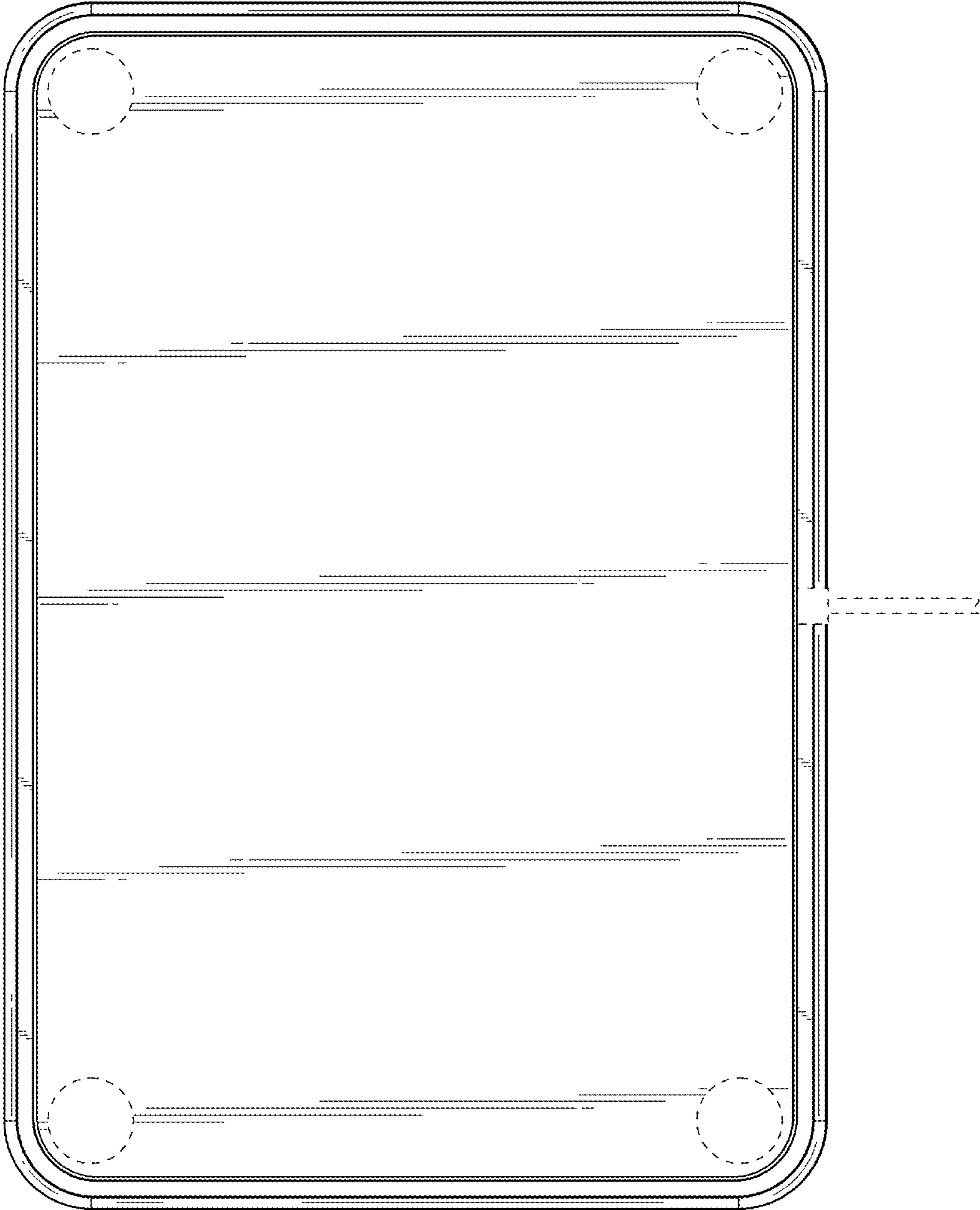


FIG. 4

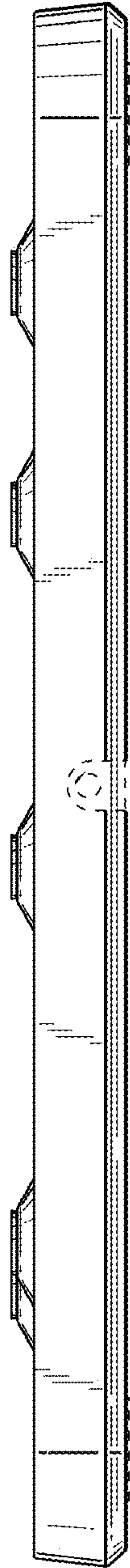


FIG. 5

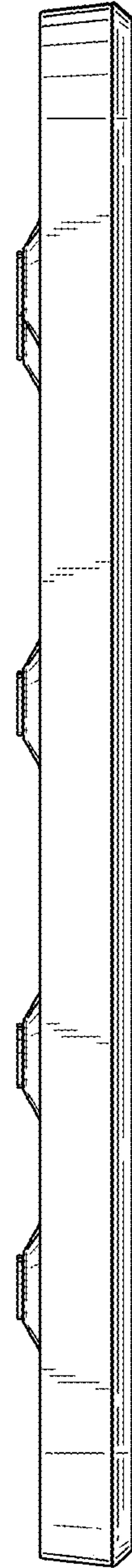


FIG. 6

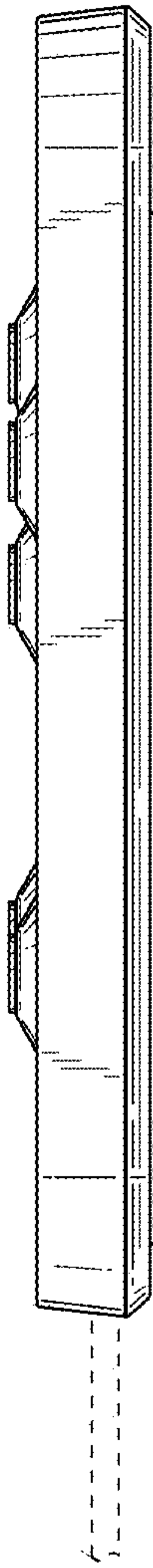


FIG. 7

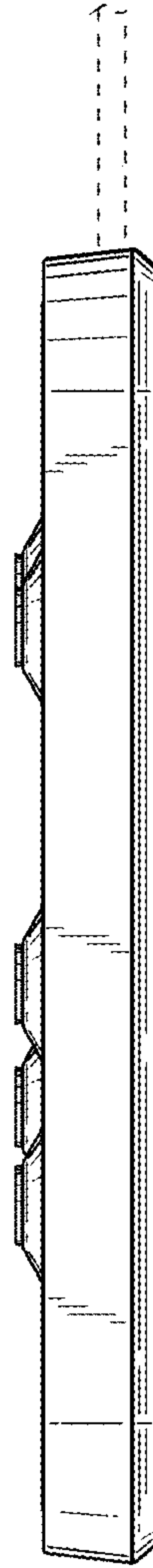


FIG. 8

