



US00D917385S

(12) **United States Design Patent** (10) **Patent No.:** **US D917,385 S**
Stoermer (45) **Date of Patent:** **** Apr. 27, 2021**

(54) **BATTERY ENCLOSURE**

(71) Applicant: **The Raymond Corporation**, Greene, NY (US)

(72) Inventor: **Gregory Stoermer**, Aurora, OR (US)

(73) Assignee: **The Raymond Corporation**, Greene, NY (US)

(**) Term: **15 Years**

(21) Appl. No.: **29/717,861**

(22) Filed: **Dec. 19, 2019**

Related U.S. Application Data

(62) Division of application No. 29/560,121, filed on Apr. 4, 2016, now Pat. No. Des. 874,394.

(51) **LOC (13) Cl.** **13-02**

(52) **U.S. Cl.**
USPC **D13/103**

(58) **Field of Classification Search**
USPC D13/102-110, 118-119, 184, 199;
D14/356, 432

CPC Y02E 60/10; Y02E 60/12; Y02E 60/122;
Y02E 60/124; Y02E 60/50; H01M 2/02;
H01M 2/022; H01M 2/0202; H01M
2/0207; H01M 2/0212; H01M 2/1061;
H01M 2/1022; H01M 2/1055; H01M
2/1066; H01M 2/105; H01M 2/20; H01M
2/204; H01M 2/206; H01M 10/44; H01M
10/46; H01M 10/465; H01M 10/482;
H01M 2200/30; H01M 2250/30; H01M
2250/40; H01M 2200/00; H01M 2/1016;
H02J 7/00; H02J 7/0003; H02J 7/0011;
H02J 7/0013; H02J 7/0054; H02J 7/0055;
H02J 7/0057; H02J 2007/0062

See application file for complete search history.

(56) **References Cited**

U.S. PATENT DOCUMENTS

3,977,907 A * 8/1976 Roth H01M 2/105
429/7
4,556,187 A * 12/1985 McLin H01M 2/1083
248/503
D733,043 S * 6/2015 Hasbrook D13/103
D871,329 S * 12/2019 Chen D13/108
D874,394 S * 2/2020 Stoermer D13/103

(Continued)

Primary Examiner — Nathaniel D. Buckner

(74) *Attorney, Agent, or Firm* — Quarles & Brady LLP

(57) **CLAIM**

The ornamental design for a battery enclosure, as shown and described.

DESCRIPTION

FIG. 1 is an isometric view of a top, left, and front side of an ornamental design for a battery enclosure;

FIG. 2 is an isometric view of a bottom, right, and rear side of the battery enclosure of FIG. 1;

FIG. 3 is a front elevational view of the battery enclosure of FIG. 1;

FIG. 4 is a rear elevational view of the battery enclosure of FIG. 1;

FIG. 5 is a right side elevational view of the battery enclosure of FIG. 1;

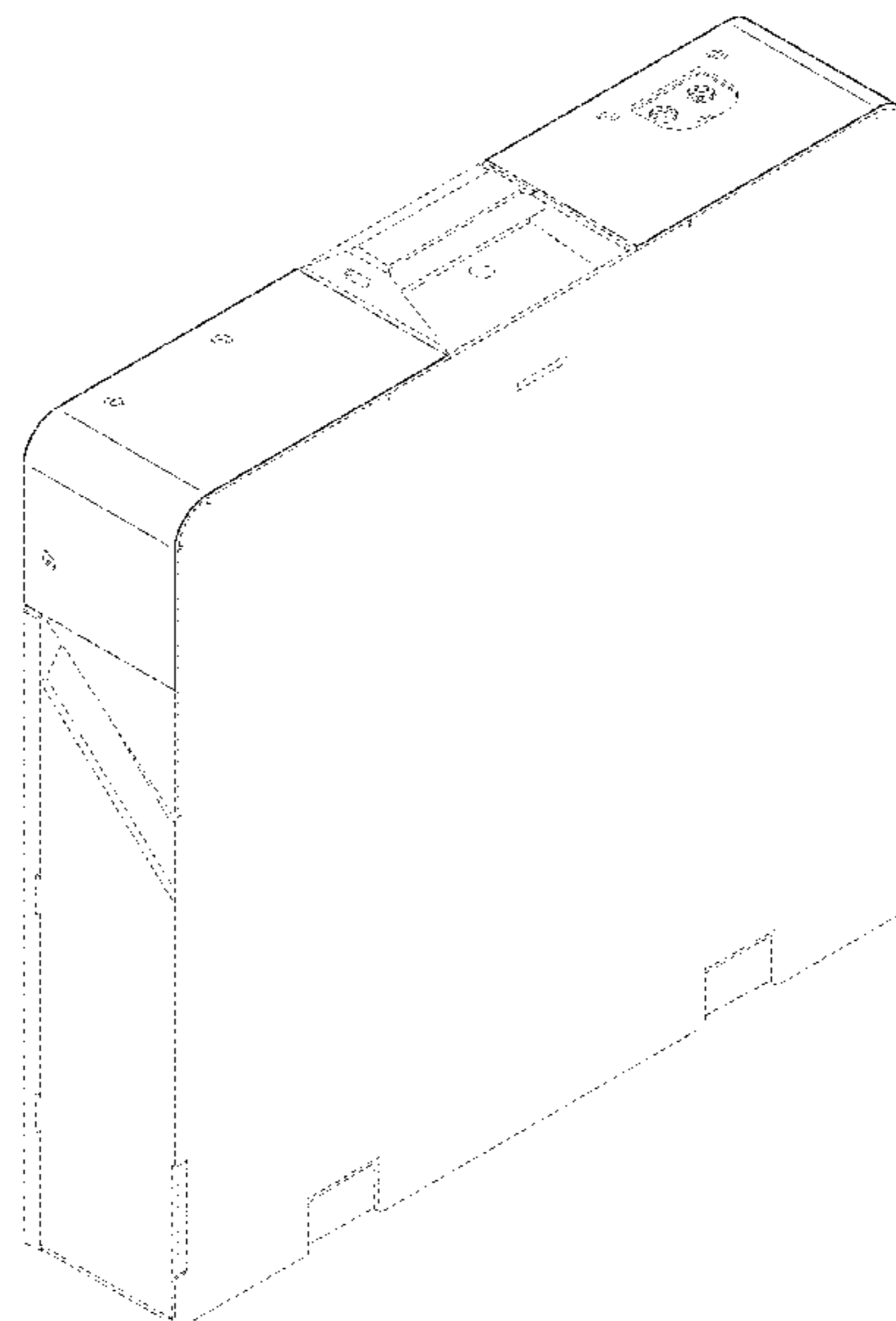
FIG. 6 is a left side elevational view of the battery enclosure of FIG. 1;

FIG. 7 is a top plan view of the battery enclosure of FIG. 1; and,

FIG. 8 is a bottom plan view of the battery enclosure of FIG. 1.

The dash-dash-dash broken lines are included for the purpose of illustrating portions of the battery enclosure that form no part of the claimed design. Further, the dash-dot-dash-dot broken lines define boundaries of the claimed design and form no part of the claimed design.

1 Claim, 6 Drawing Sheets



(56)

References Cited

U.S. PATENT DOCUMENTS

D887,347 S * 6/2020 Wei D13/103
D904,976 S * 12/2020 Stoermer D13/103
2006/0201558 A1* 9/2006 Marty E03C 1/055
137/613
2016/0172902 A1* 6/2016 Battat H02J 7/0044
307/65
2018/0019475 A1* 1/2018 Adamson H01M 12/085
2018/0076432 A1* 3/2018 Peng H01M 2/1072
2019/0036286 A1* 1/2019 Yang H01M 10/488
2019/0270389 A1* 9/2019 Chuang B60L 50/66

* cited by examiner

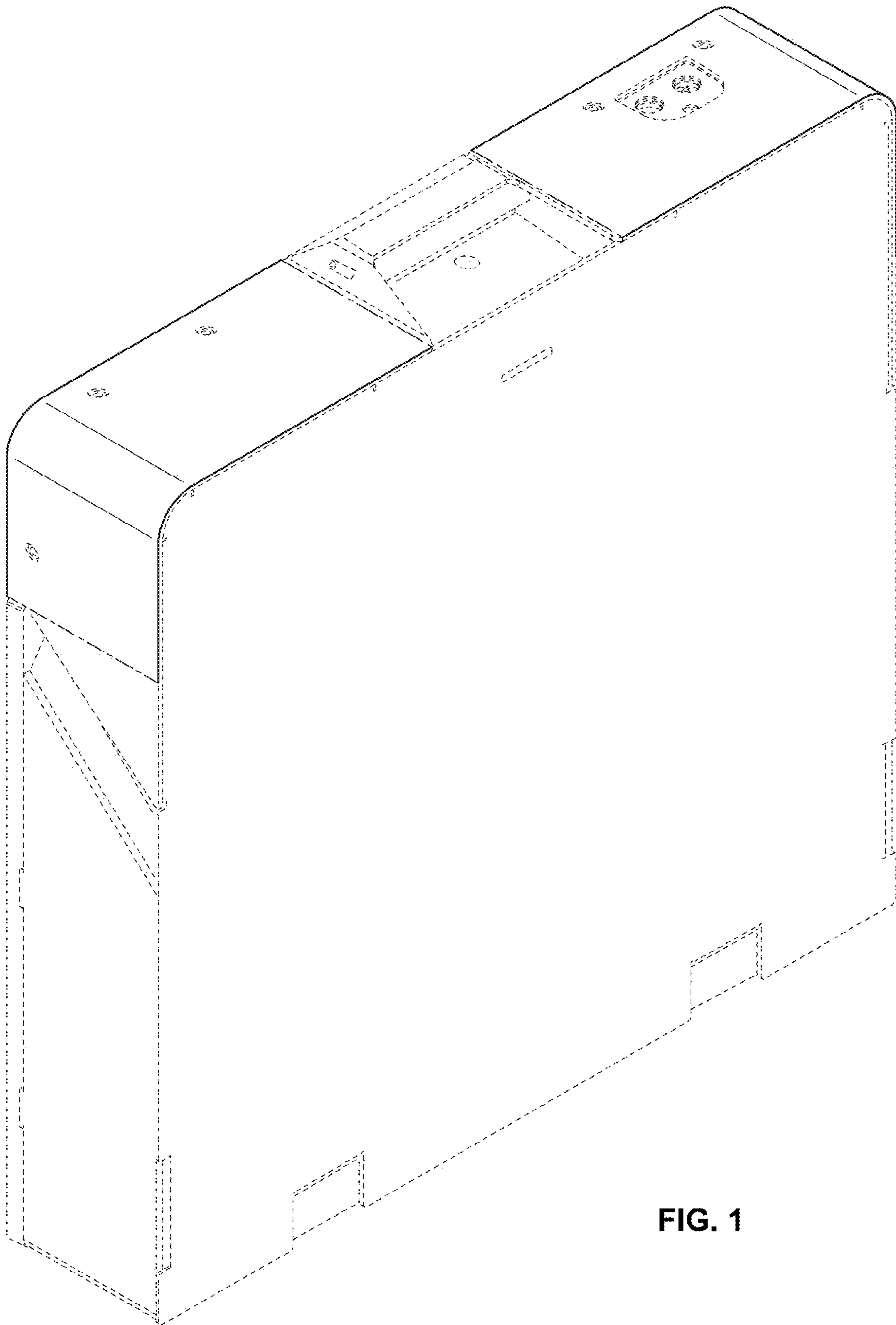


FIG. 1

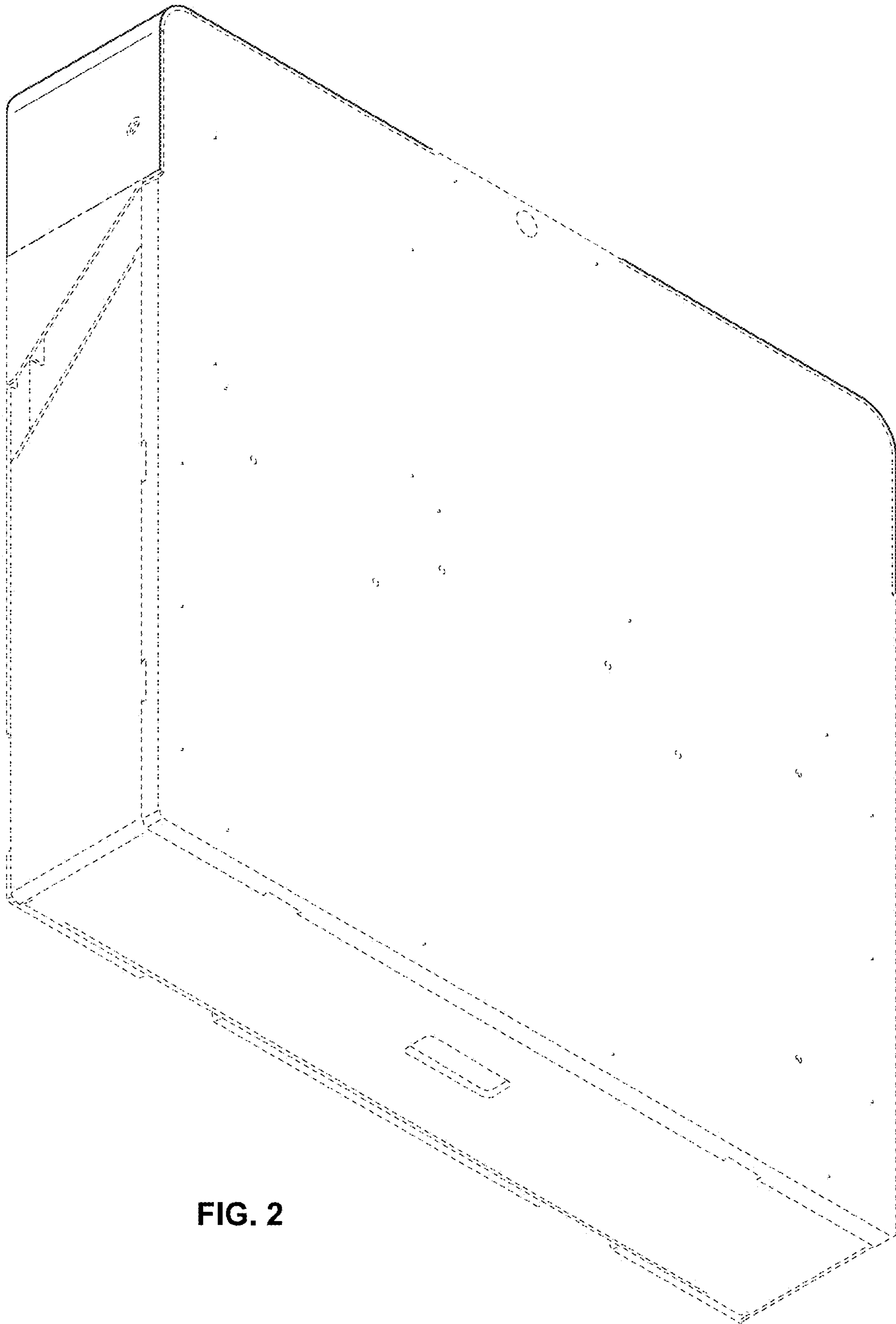


FIG. 2

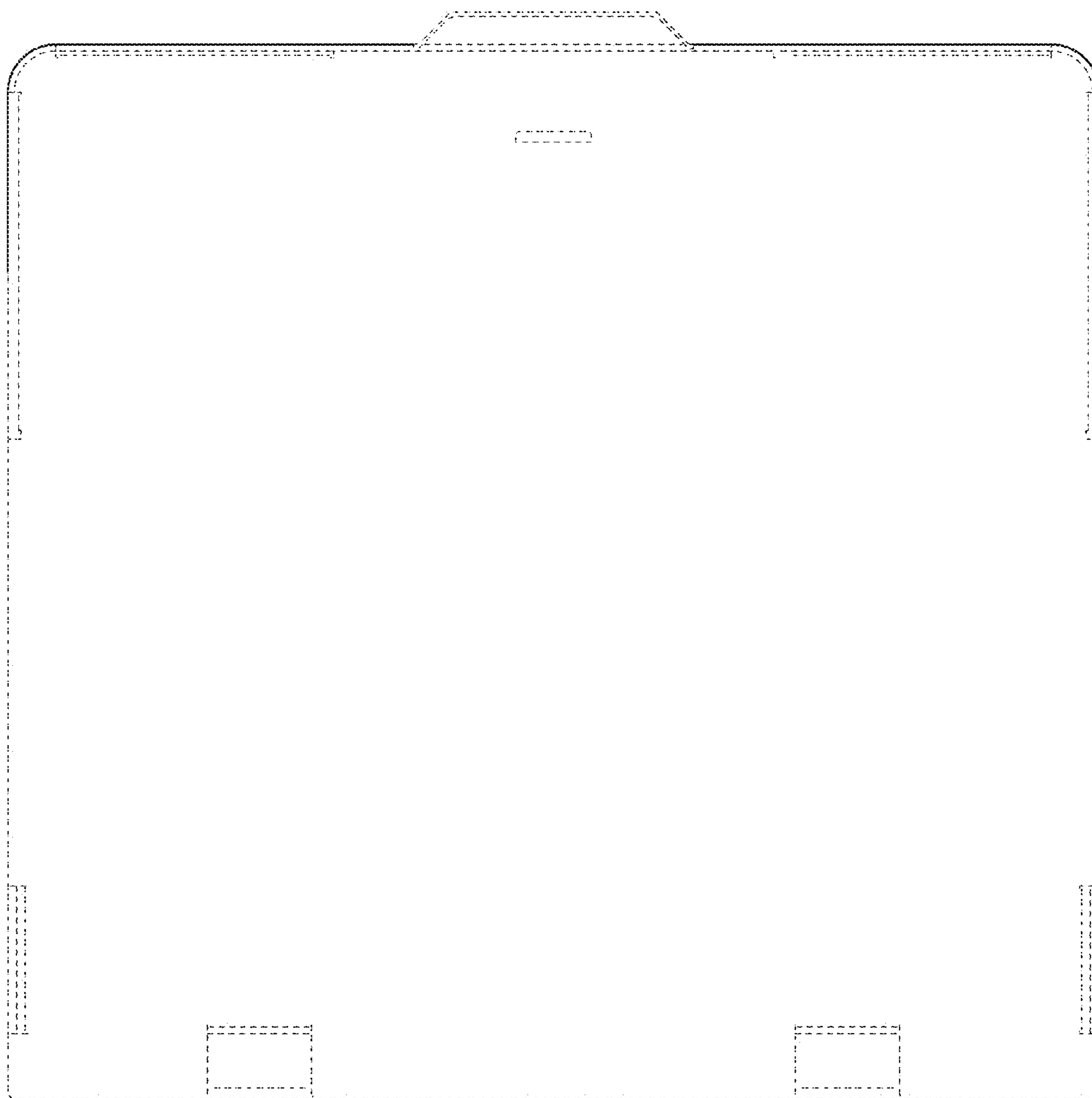


FIG. 3

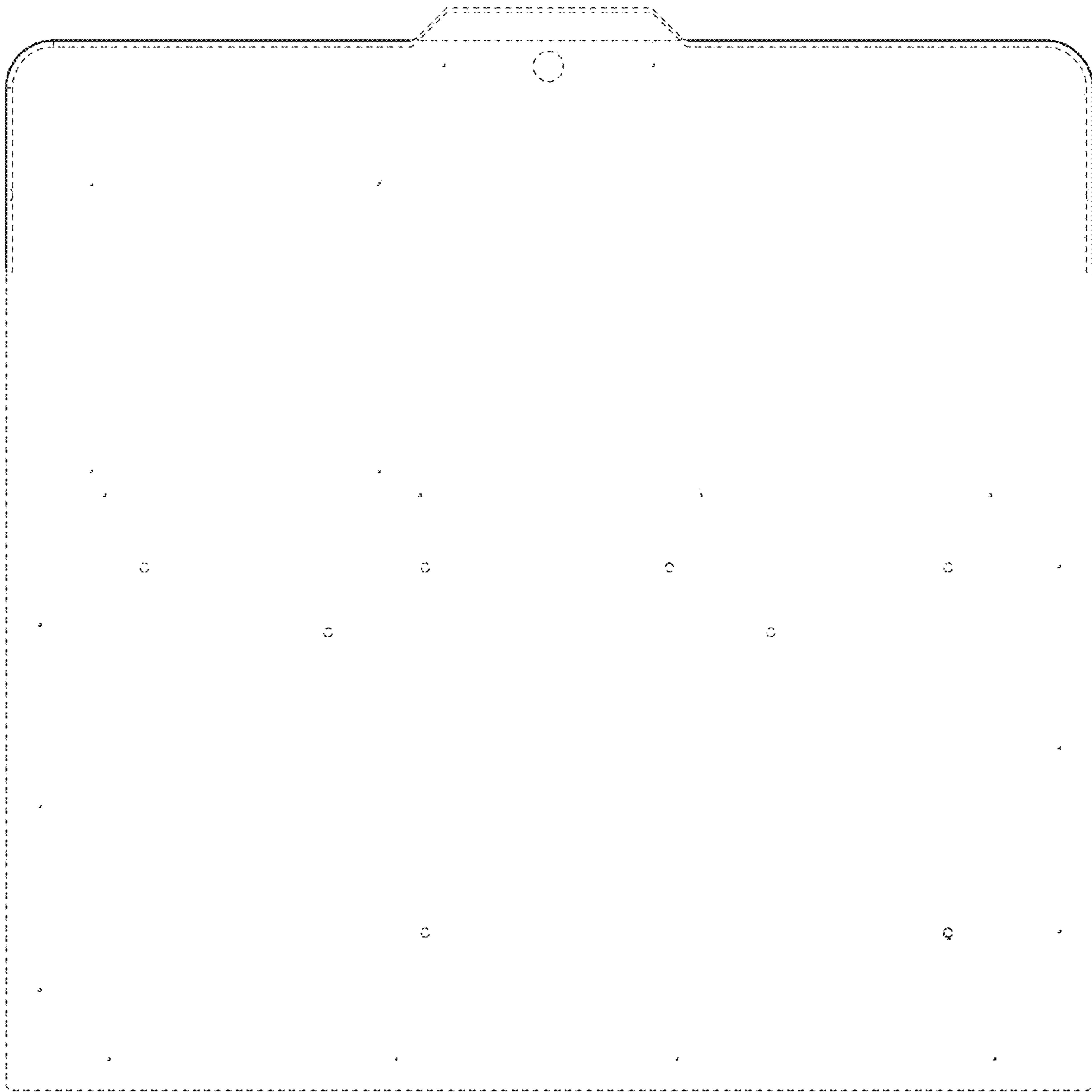


FIG. 4

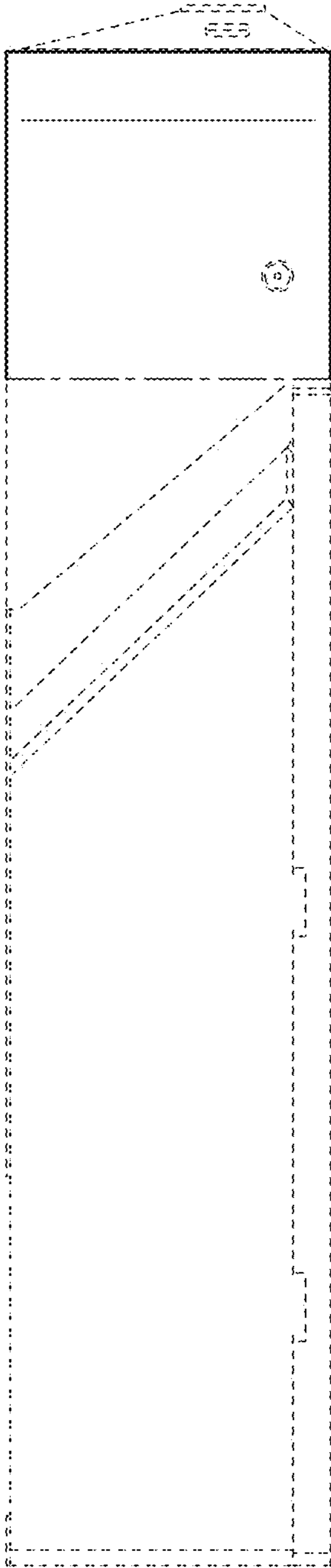


FIG. 5

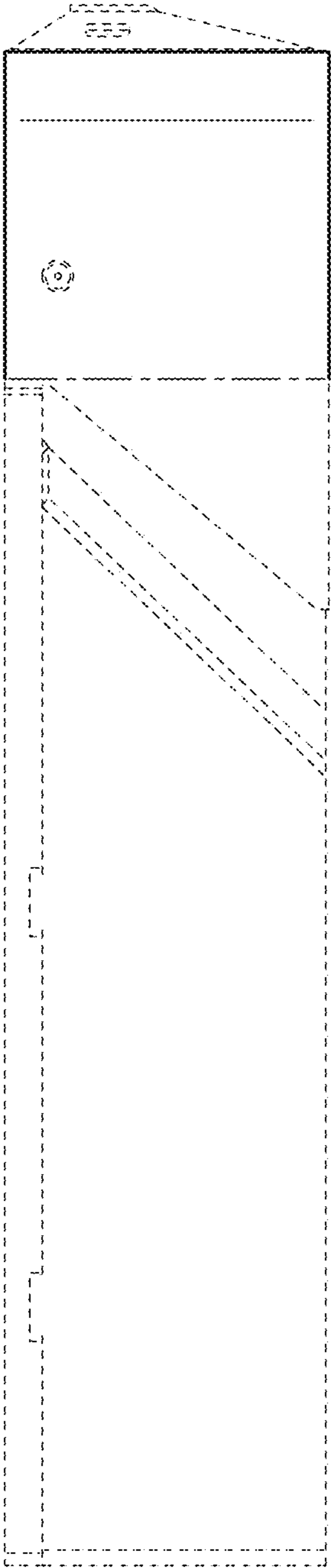


FIG. 6

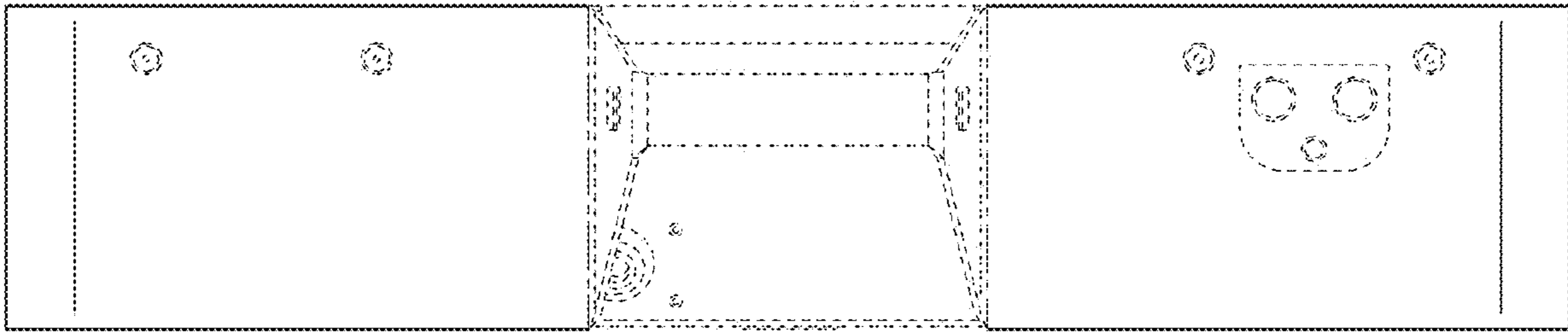


FIG. 7

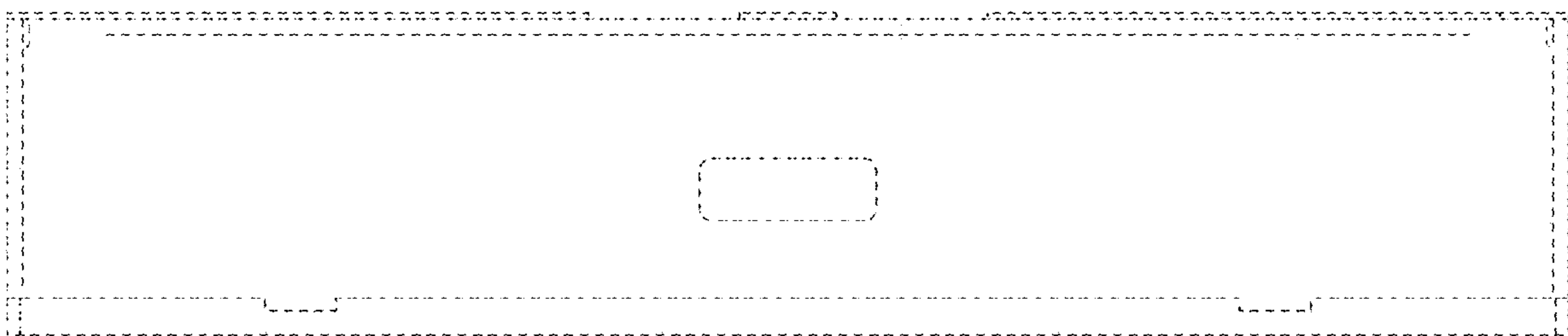


FIG. 8