



US00D917384S

(12) **United States Design Patent** (10) **Patent No.:** **US D917,384 S**
Naito et al. (45) **Date of Patent:** **** Apr. 27, 2021**

(54) **BATTERY PACK**

(71) Applicant: **SANYO Electric Co., Ltd.**, Daito (JP)

(72) Inventors: **Masakazu Naito**, Hyogo (JP); **Yuusuke Okii**, Osaka (JP)

(73) Assignee: **SANYO Electric Co., Ltd.**, Osaka (JP)

(**) Term: **15 Years**

(21) Appl. No.: **29/699,927**

(22) Filed: **Jul. 30, 2019**

(30) **Foreign Application Priority Data**

Feb. 7, 2019 (JP) JP2019-002510

(51) **LOC (13) Cl.** **13-02**

(52) **U.S. Cl.**
USPC **D13/103**

(58) **Field of Classification Search**
USPC D13/102-106, 110, 118-119, 154, 156,
D13/184

CPC Y02E 60/12; Y02E 60/122; Y02E 60/124;
Y02E 60/50; H01M 2/02; H01M 2/022;
H01M 2/0202; H01M 2/0207; H01M
2/0212; H01M 2/1061; H01M 2/1022;
H01M 2/1055; H01M 2/1066; H01M
2/105; H01M 2/204; H01M 2/10; H01M
10/4257; H01M 10/0436; H01M 10/48
See application file for complete search history.

(56) **References Cited**

U.S. PATENT DOCUMENTS

D517,988 S * 3/2006 Ihde D13/103
D562,229 S * 2/2008 Peters D13/103
D683,702 S * 6/2013 Kaneshige D13/147
D758,301 S * 6/2016 Miyawaki D13/103

D772,816 S * 11/2016 DeKeuster D13/119
9,911,967 B2 * 3/2018 Cohen H01M 2/365
D888,675 S * 6/2020 Lim D13/184
2012/0115011 A1 * 5/2012 Kim H01M 10/6562
429/156
2016/0185223 A1 * 6/2016 Kim H01M 2/1083
429/100
2017/0352851 A1 * 12/2017 Kuboki H01M 2/266
2019/0051954 A1 * 2/2019 Kim H01M 2/10
2020/0106058 A1 * 4/2020 Kim H01M 2/02
2020/0287194 A1 * 9/2020 Urano H01M 2/305
2020/0321589 A1 * 10/2020 Watahiki H01M 2/1077
2020/0343607 A1 * 10/2020 Kim H01M 10/6567

FOREIGN PATENT DOCUMENTS

JP D1404942 1/2011

* cited by examiner

Primary Examiner — Catherine S Posthauer

Assistant Examiner — Alison M Ofstun

(74) *Attorney, Agent, or Firm* — Brinks Gilson & Lione

(57) **CLAIM**

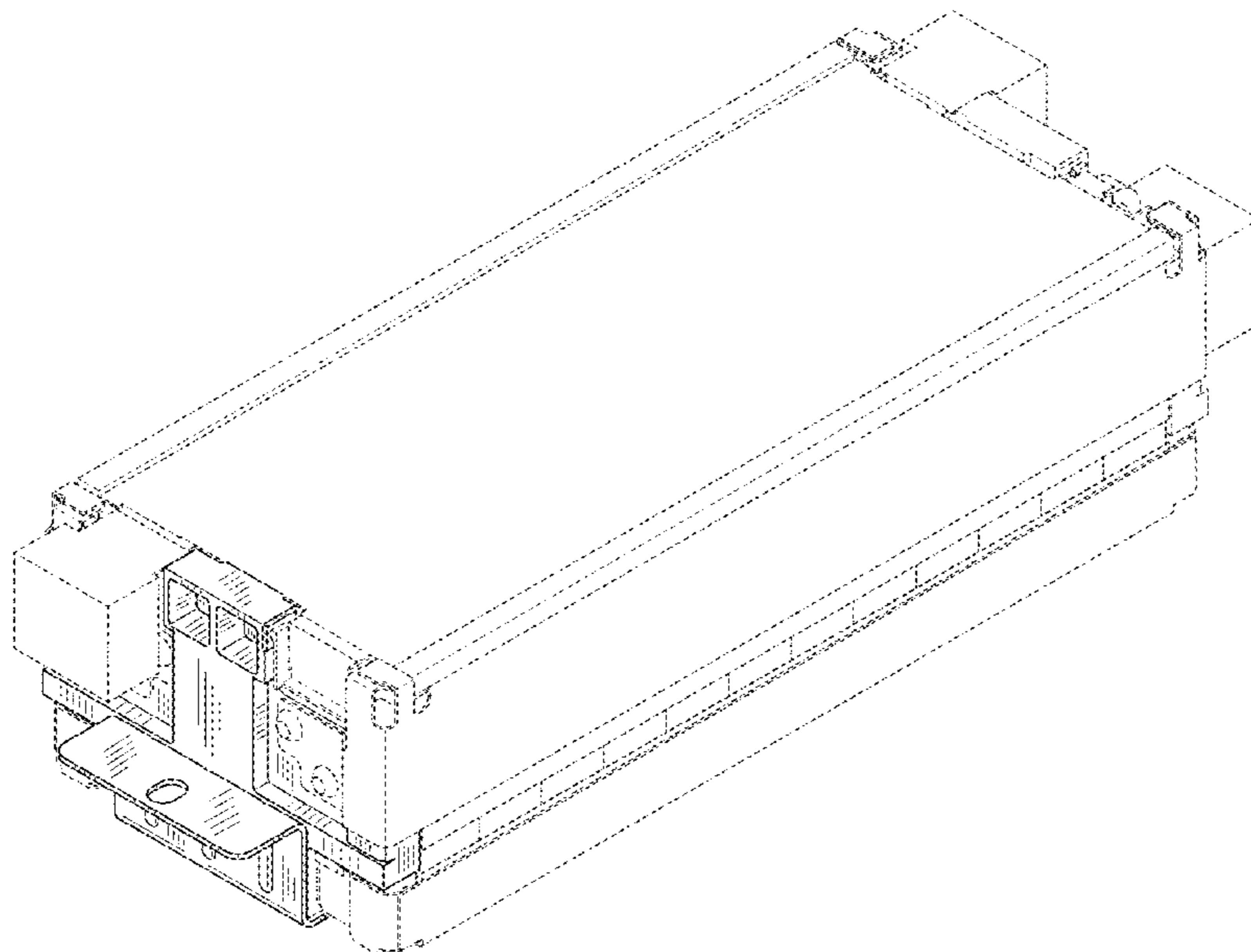
We claim the ornamental design for a battery pack, as shown and described.

DESCRIPTION

FIG. 1 is a top, front perspective view of a battery pack showing our new design;
FIG. 2 is a bottom, front perspective view thereof;
FIG. 3 is a front view thereof;
FIG. 4 is a rear view thereof;
FIG. 5 is a left side view thereof;
FIG. 6 is a right side view thereof;
FIG. 7 is a top view thereof; and,
FIG. 8 is a bottom view thereof.

In the drawings, the broken lines illustrate portions of the battery pack which form no part of the claimed design.

1 Claim, 8 Drawing Sheets



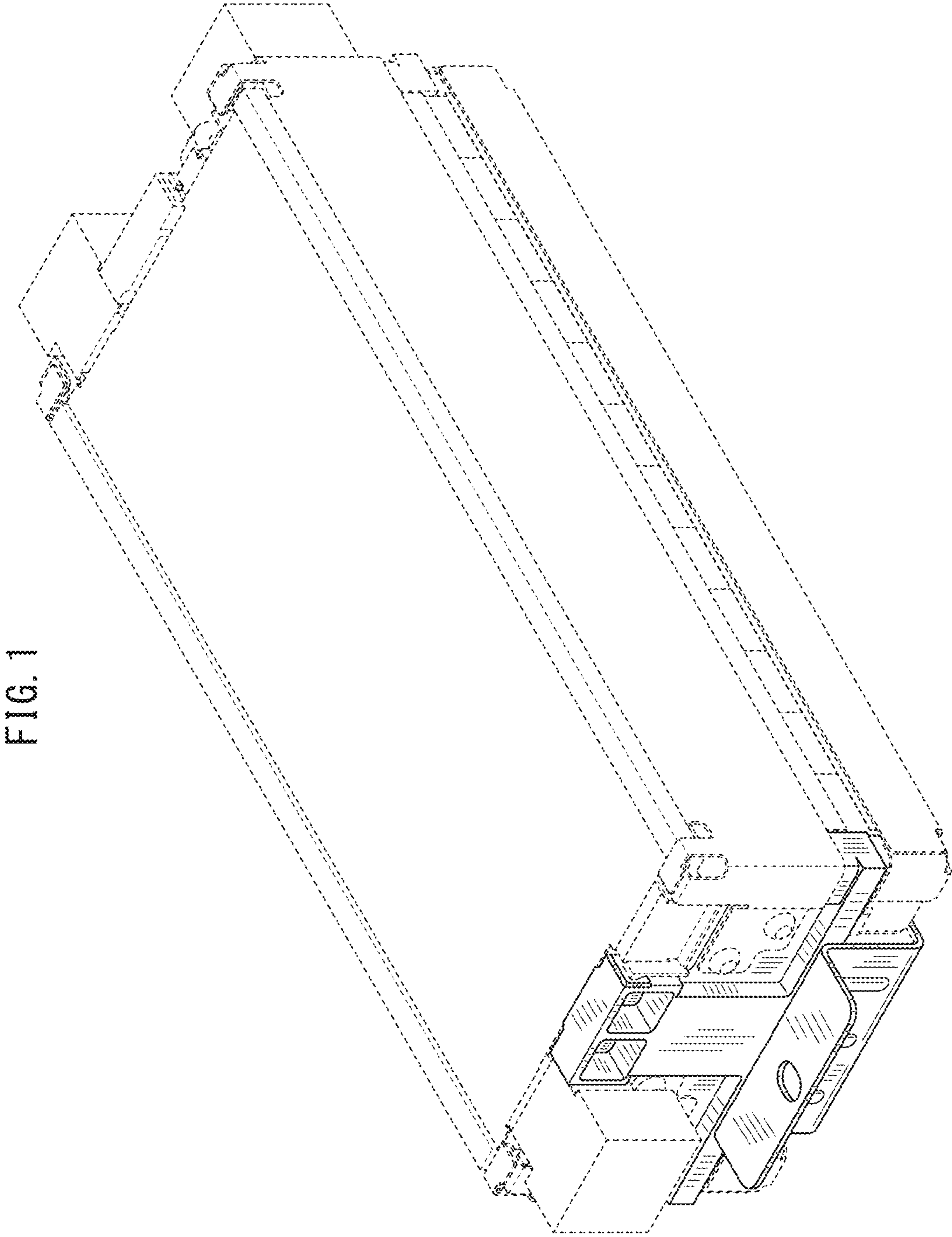


FIG. 1

FIG. 2

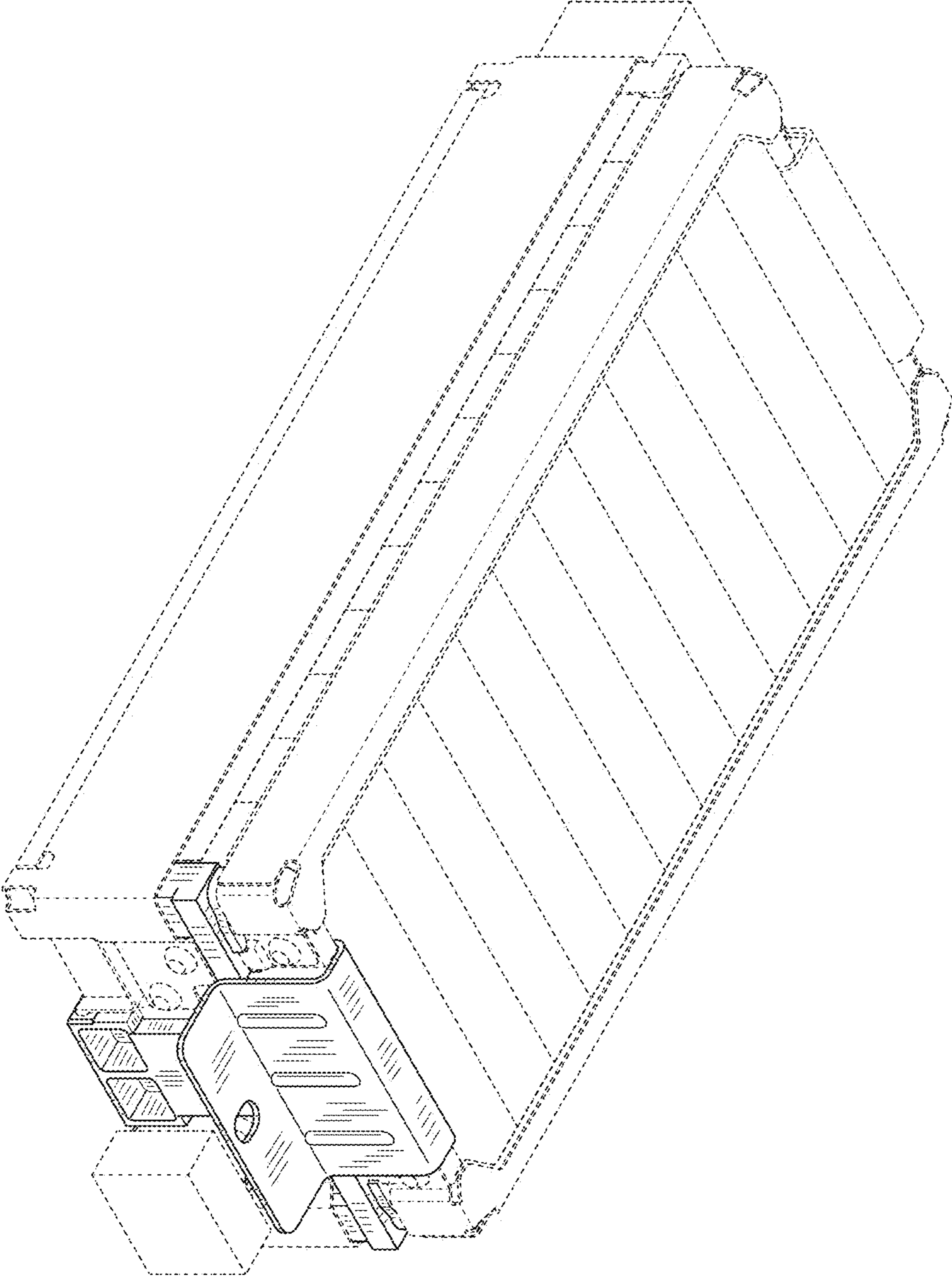


FIG. 3

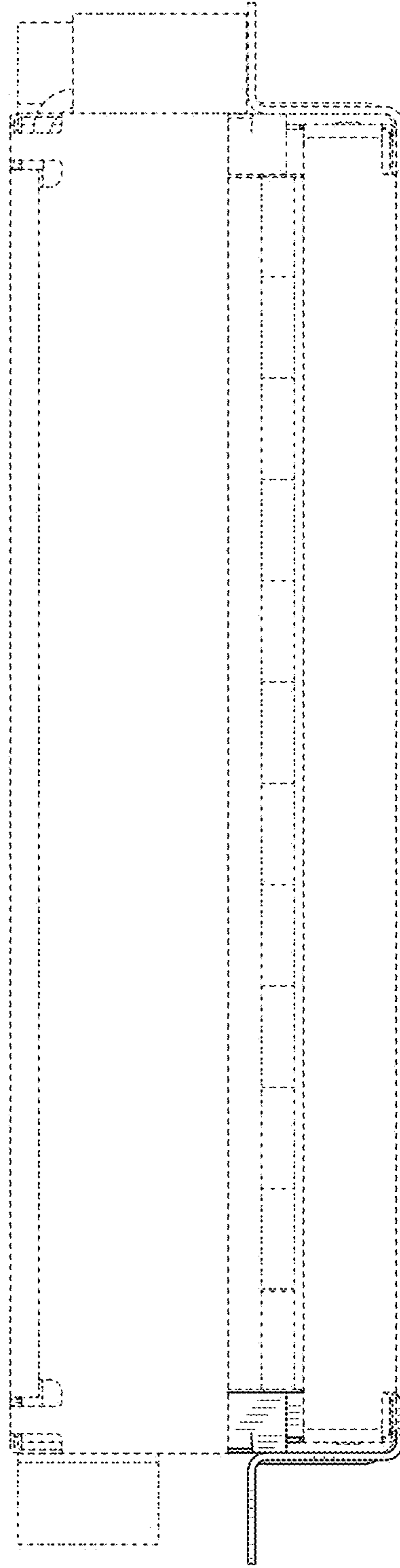


FIG. 4

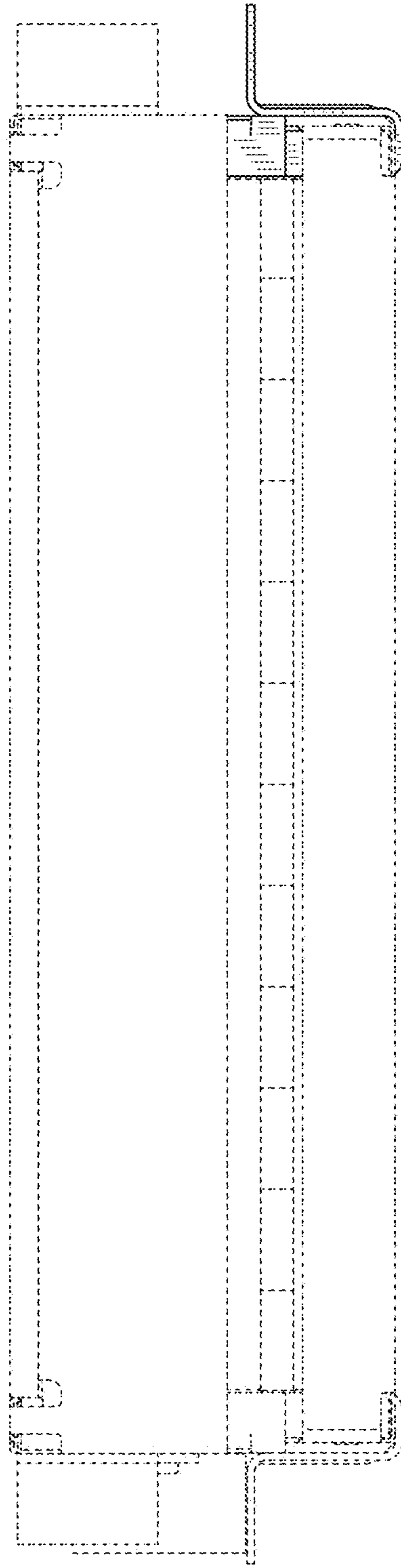


FIG. 5

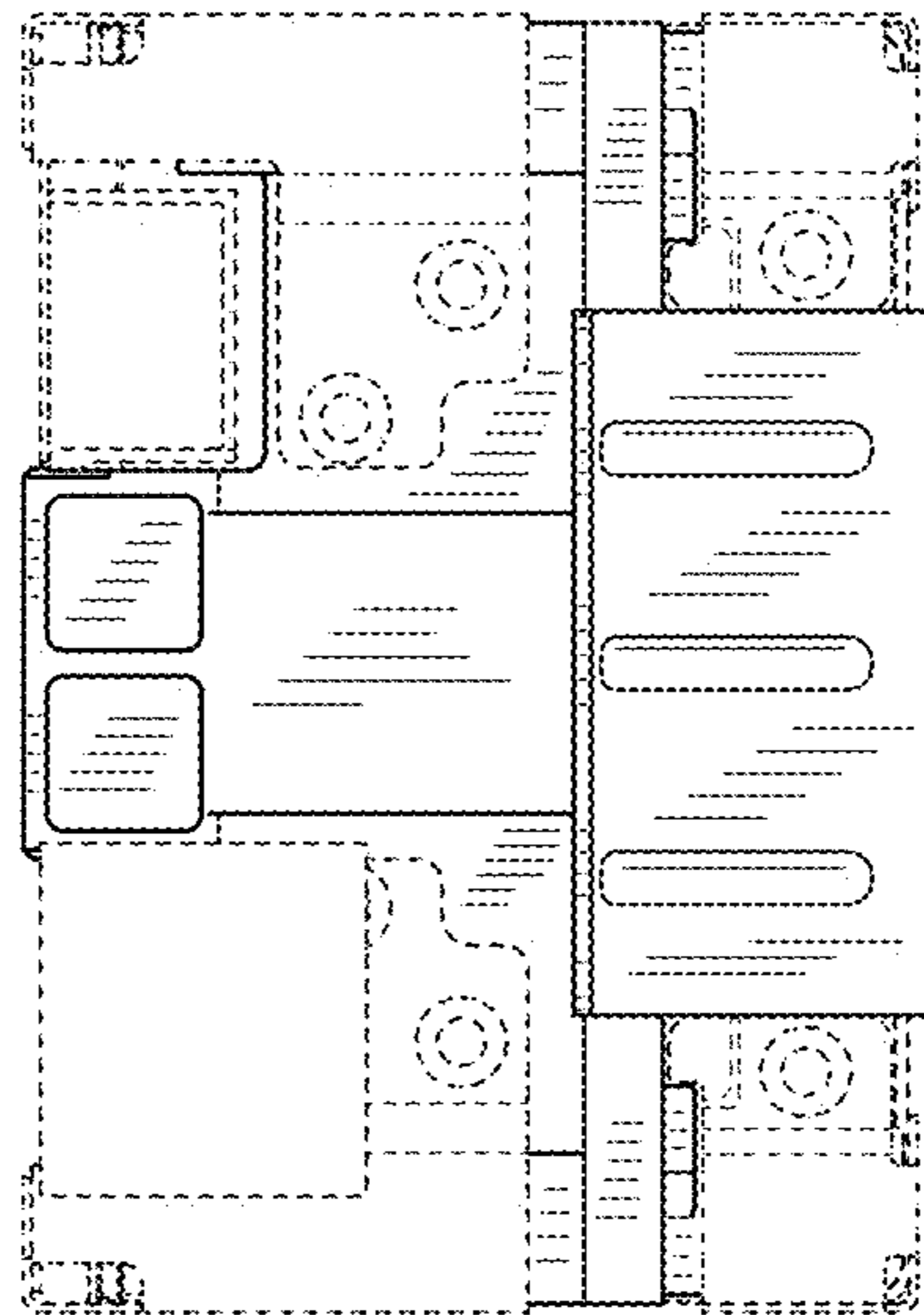


FIG. 6

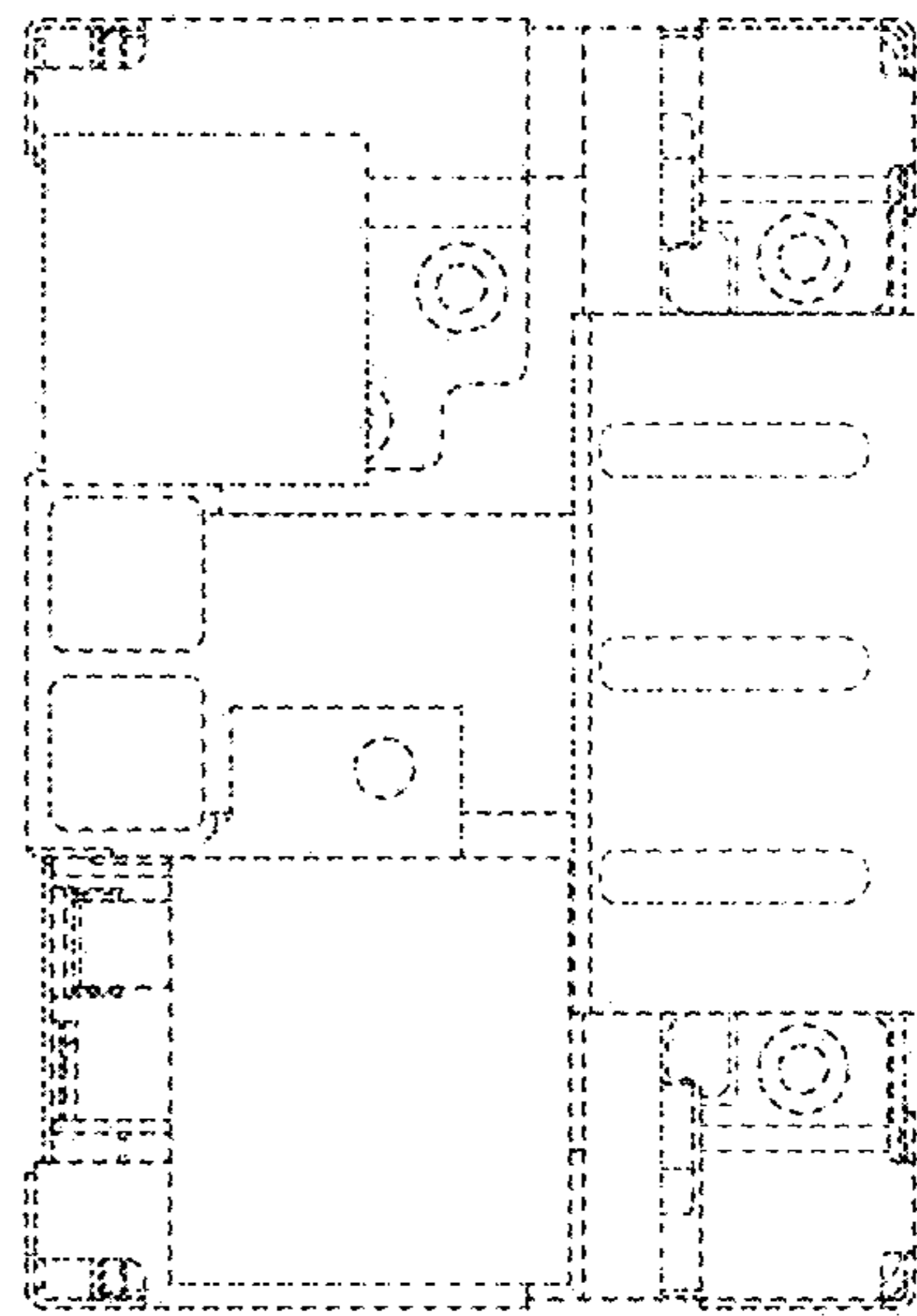


FIG. 7

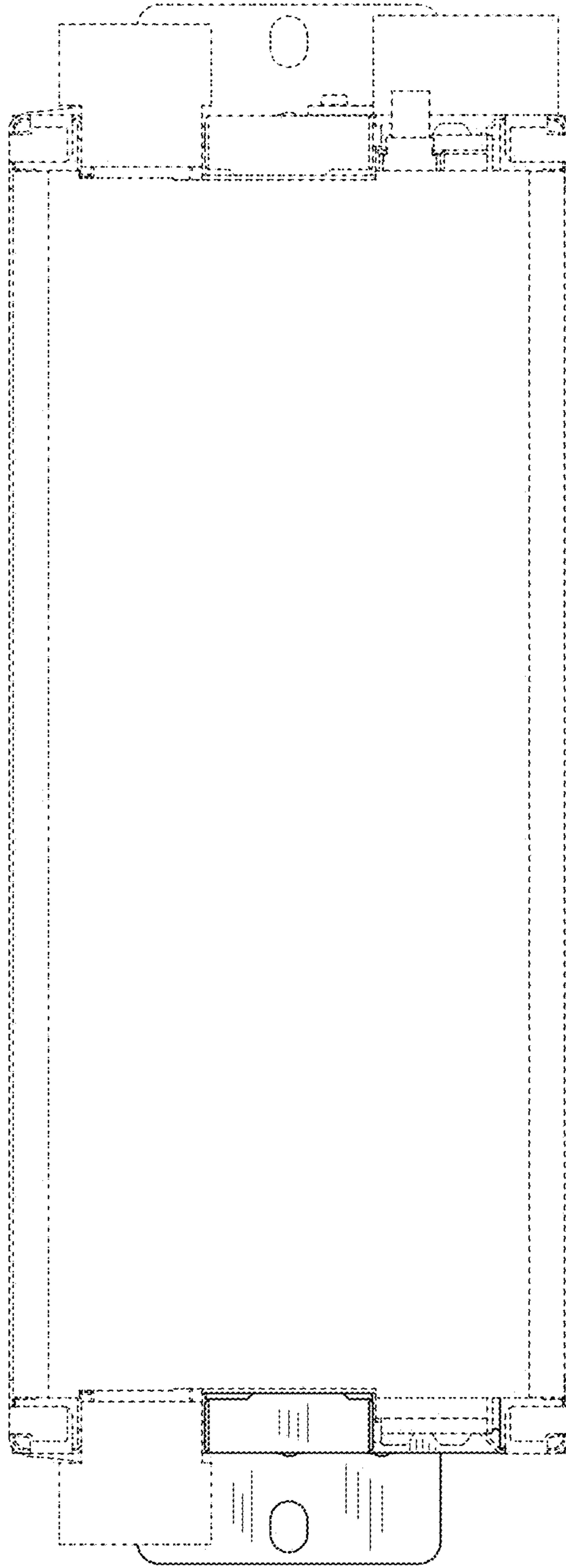


FIG. 8

