



US00D917383S

(12) **United States Design Patent**
Naito et al.

(10) **Patent No.:** **US D917,383 S**
(45) **Date of Patent:** **** Apr. 27, 2021**

(54) **BATTERY PACK**

(71) Applicant: **SANYO Electric Co., Ltd.**, Daito (JP)
(72) Inventors: **Masakazu Naito**, Hyogo (JP); **Yuusuke Okii**, Osaka (JP)
(73) Assignee: **SANYO Electric Co., Ltd.**, Osaka (JP)
(**) Term: **15 Years**

(21) Appl. No.: **29/699,887**

(22) Filed: **Jul. 30, 2019**

(30) **Foreign Application Priority Data**

Feb. 7, 2019 (JP) 2019-002508

(51) **LOC (13) Cl.** **13-02**

(52) **U.S. Cl.**
USPC **D13/103**

(58) **Field of Classification Search**
USPC D13/102–106, 110, 118–119, 154, 156,
D13/184

CPC Y02E 60/12; Y02E 60/122; Y02E 60/124;
Y02E 60/50; H01M 2/02; H01M 2/022;
H01M 2/0202; H01M 2/0207; H01M
2/0212; H01M 2/1061; H01M 2/1022;
H01M 2/1055; H01M 2/1066; H01M
2/105; H01M 2/204; H01M 2/10; H01M
10/4257; H01M 10/0436; H01M 10/48

See application file for complete search history.

(56) **References Cited**

U.S. PATENT DOCUMENTS

D517,988 S * 3/2006 Ihde D13/103
D562,229 S * 2/2008 Peters D13/103
D683,702 S * 6/2013 Kaneshige D13/147
D758,301 S * 6/2016 Miyawaki D13/103
D772,816 S * 11/2016 DeKeuster D13/119

(Continued)

FOREIGN PATENT DOCUMENTS

JP D1557626 9/2016

Primary Examiner — Catherine S Posthauer

Assistant Examiner — Alison M Ofstun

(74) *Attorney, Agent, or Firm* — Brinks Gilson & Lione

(57) **CLAIM**

We claim the ornamental design for a battery pack, as shown and described.

DESCRIPTION

FIG. 1 is a top, front perspective view of a battery pack showing our new design;

FIG. 2 is a bottom, front perspective view thereof;

FIG. 3 is a front view thereof;

FIG. 4 is a rear view thereof;

FIG. 5 is a left side view thereof;

FIG. 6 is a right side view thereof;

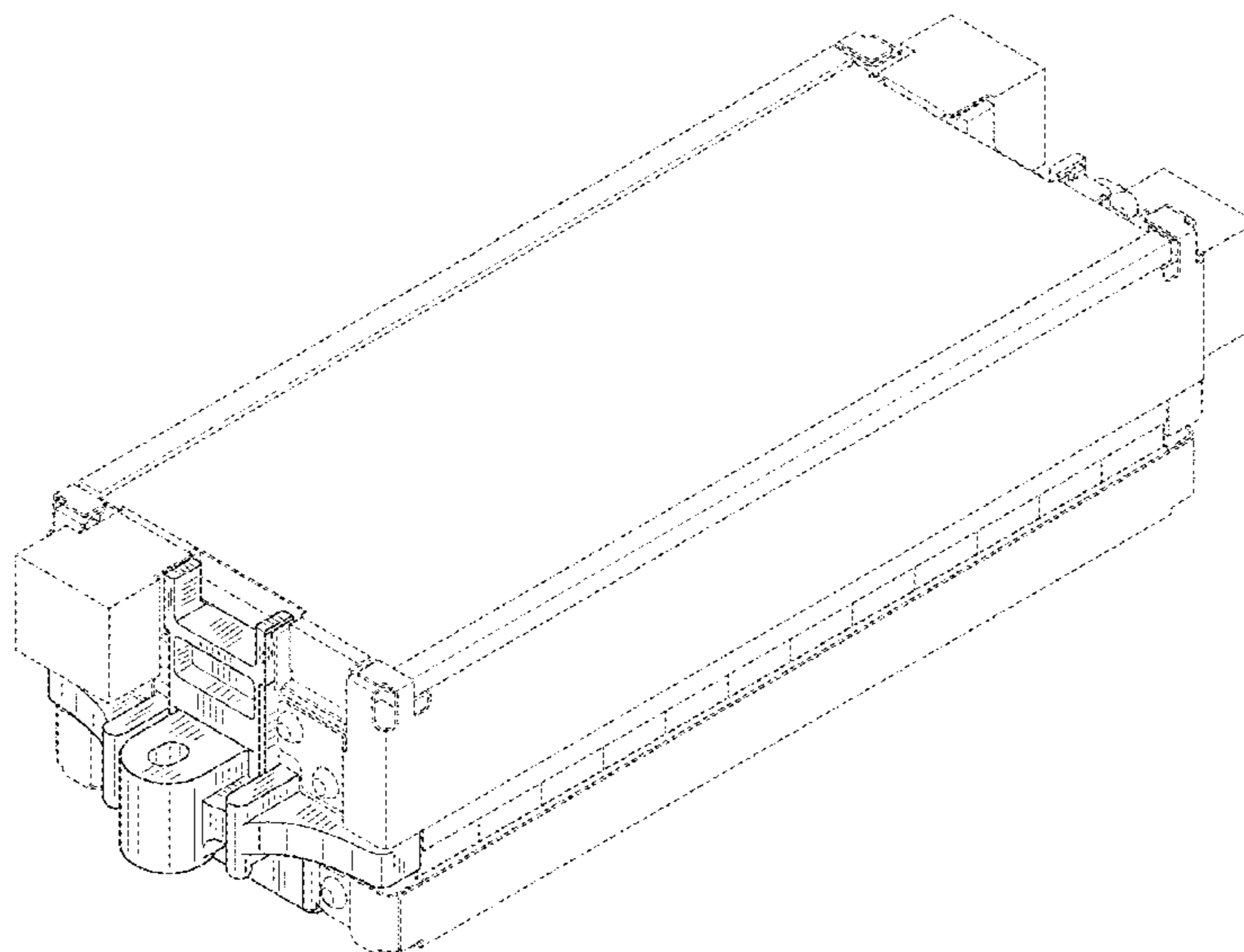
FIG. 7 is a top view thereof; and,

FIG. 8 is a bottom view thereof.

In the drawings, the broken lines illustrate portions of the battery pack which form no part of the claimed design.

While the accompanying drawings illustrate one or more exemplary embodiments, it should be understood that according to other exemplary embodiments that should be considered to be within the possession of the inventors of the present application at the time this application is being filed, it is contemplated that any illustrated solid lines (or portions thereof) may be converted to broken lines and that any illustrated broken lines (or portions thereof) may be converted to solid lines so as to claim or disclaim portions, components, or sub-components of the designs shown, and that any illustrated solid lines (or portions thereof) and broken lines (or any portions thereof) from a single depicted embodiment may be combined with those of another depicted embodiment. It is further contemplated that shading may be added or removed to claim or disclaim the corresponding surfaces.

1 Claim, 8 Drawing Sheets



(56)

References Cited

U.S. PATENT DOCUMENTS

9,911,967 B2 * 3/2018 Cohen H01M 2/365
D888,675 S * 6/2020 Lim D13/184
2012/0115011 A1 * 5/2012 Kim H01M 10/6562
429/156
2016/0185223 A1 * 6/2016 Kim H01M 2/1083
429/100
2017/0352851 A1 * 12/2017 Kuboki H01M 2/266
2019/0051954 A1 * 2/2019 Kim H01M 2/10
2020/0106058 A1 * 4/2020 Kim H01M 2/02
2020/0287194 A1 * 9/2020 Urano H01M 2/305
2020/0321589 A1 * 10/2020 Watahiki H01M 2/1077
2020/0343607 A1 * 10/2020 Kim H01M 10/6567

* cited by examiner

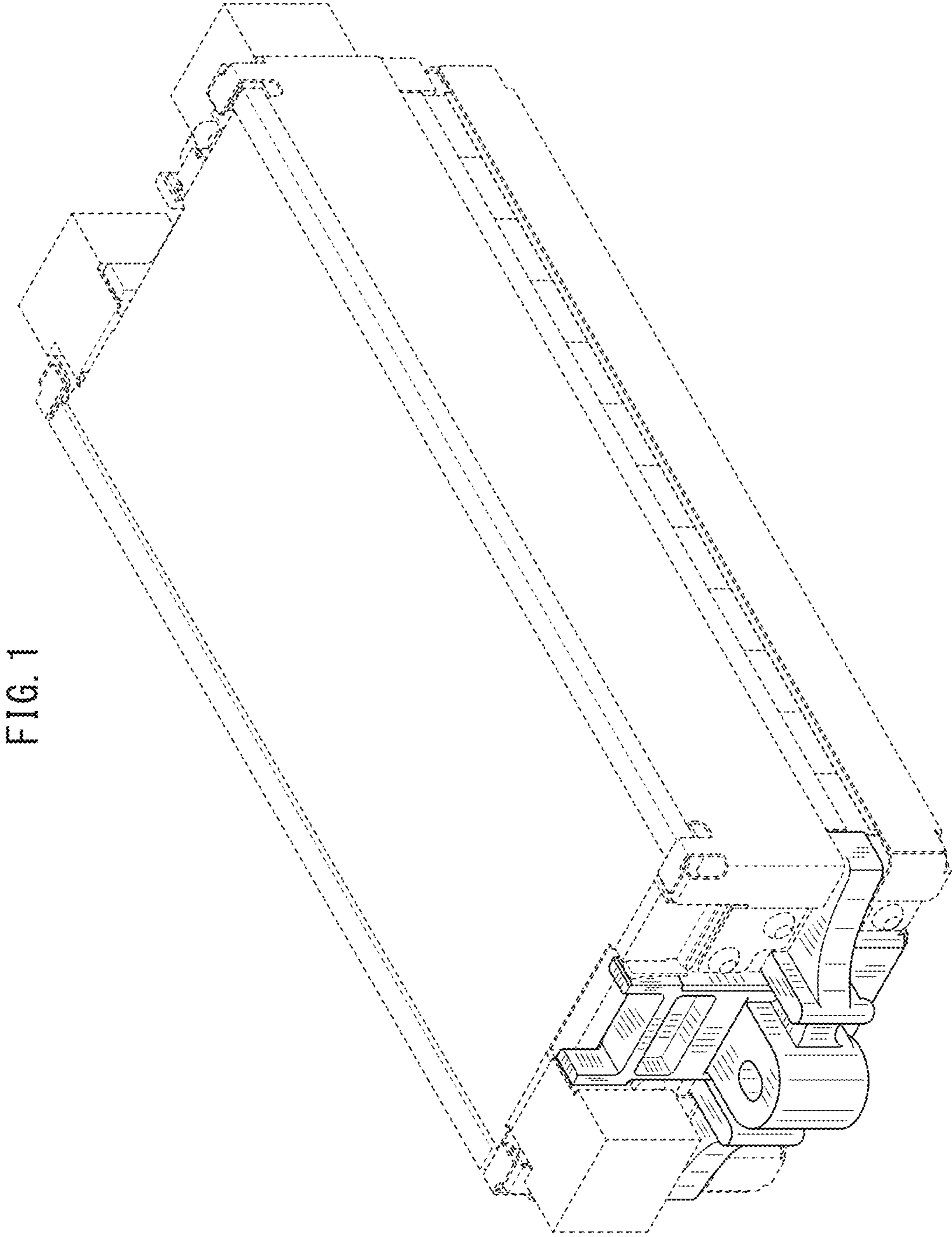


FIG. 1

FIG. 2

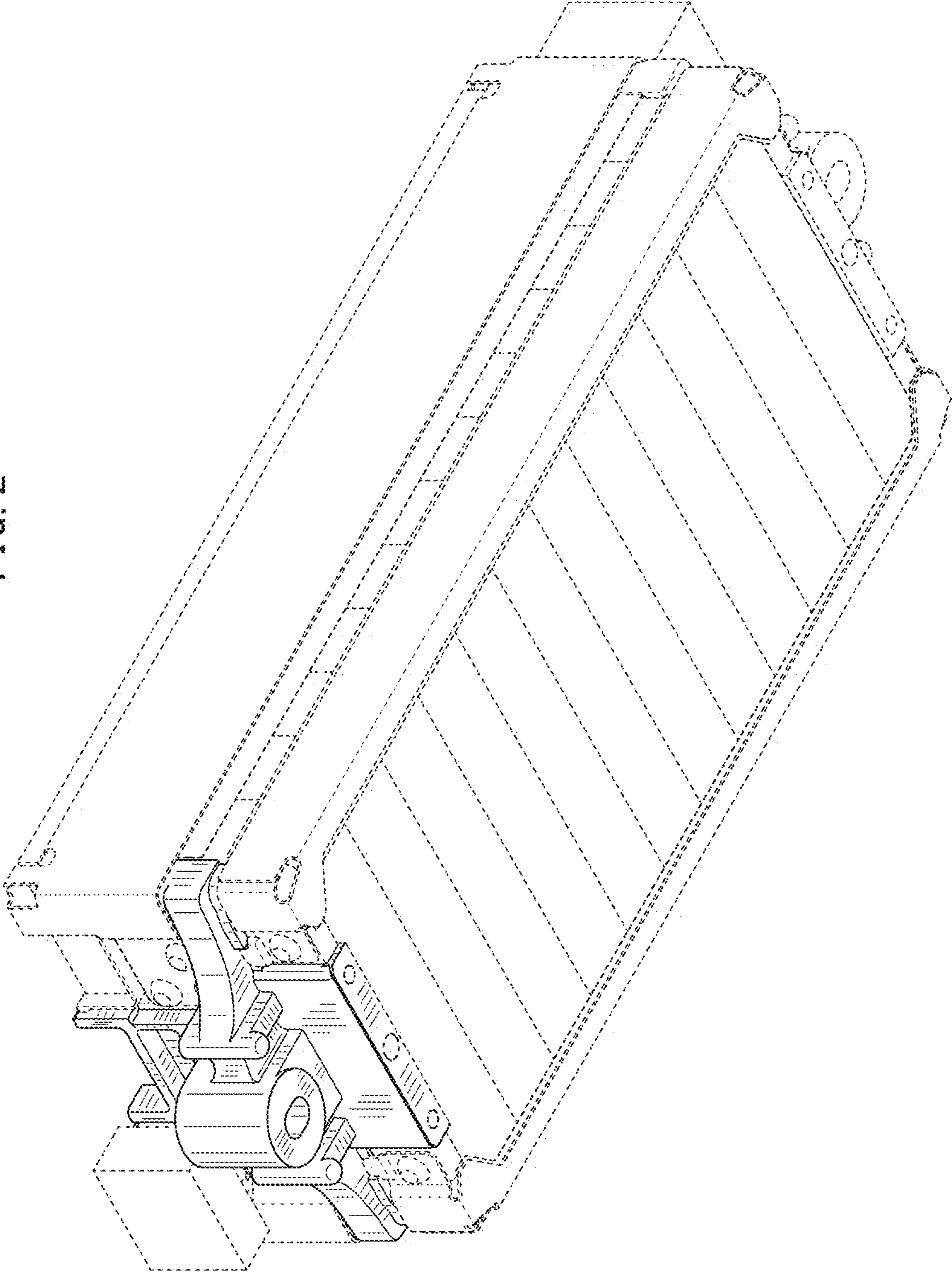


FIG. 3

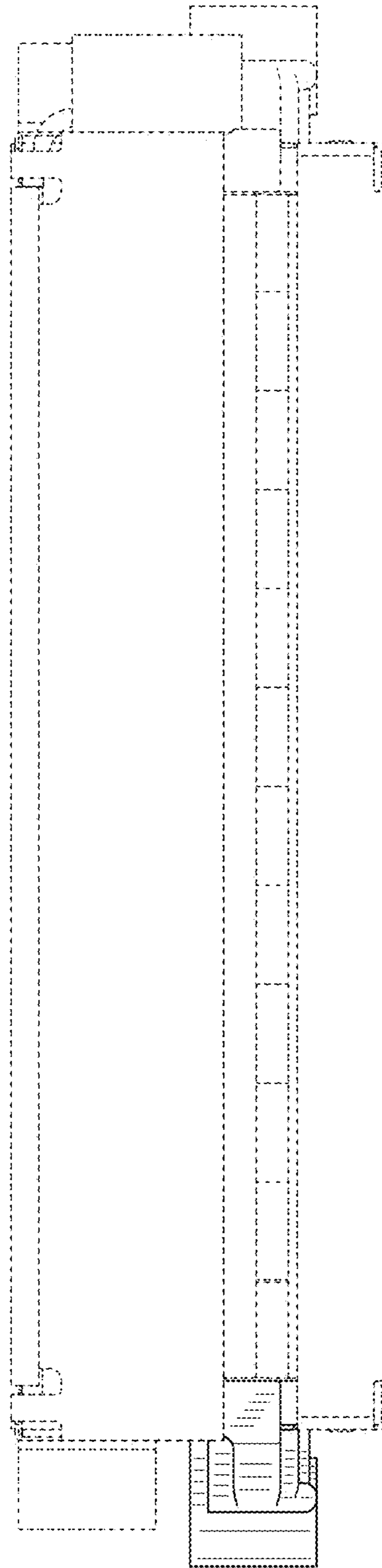


FIG. 4

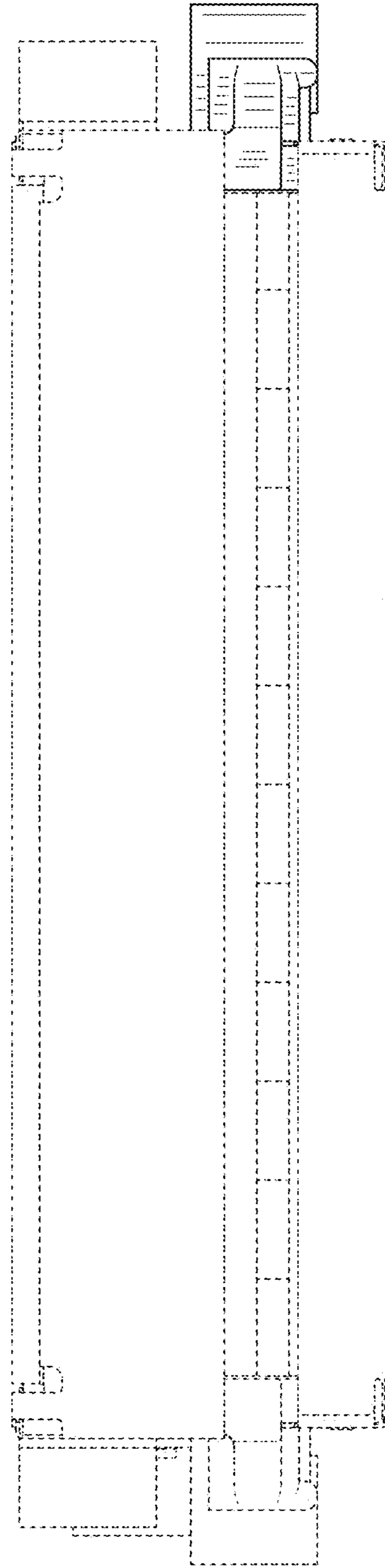


FIG. 5

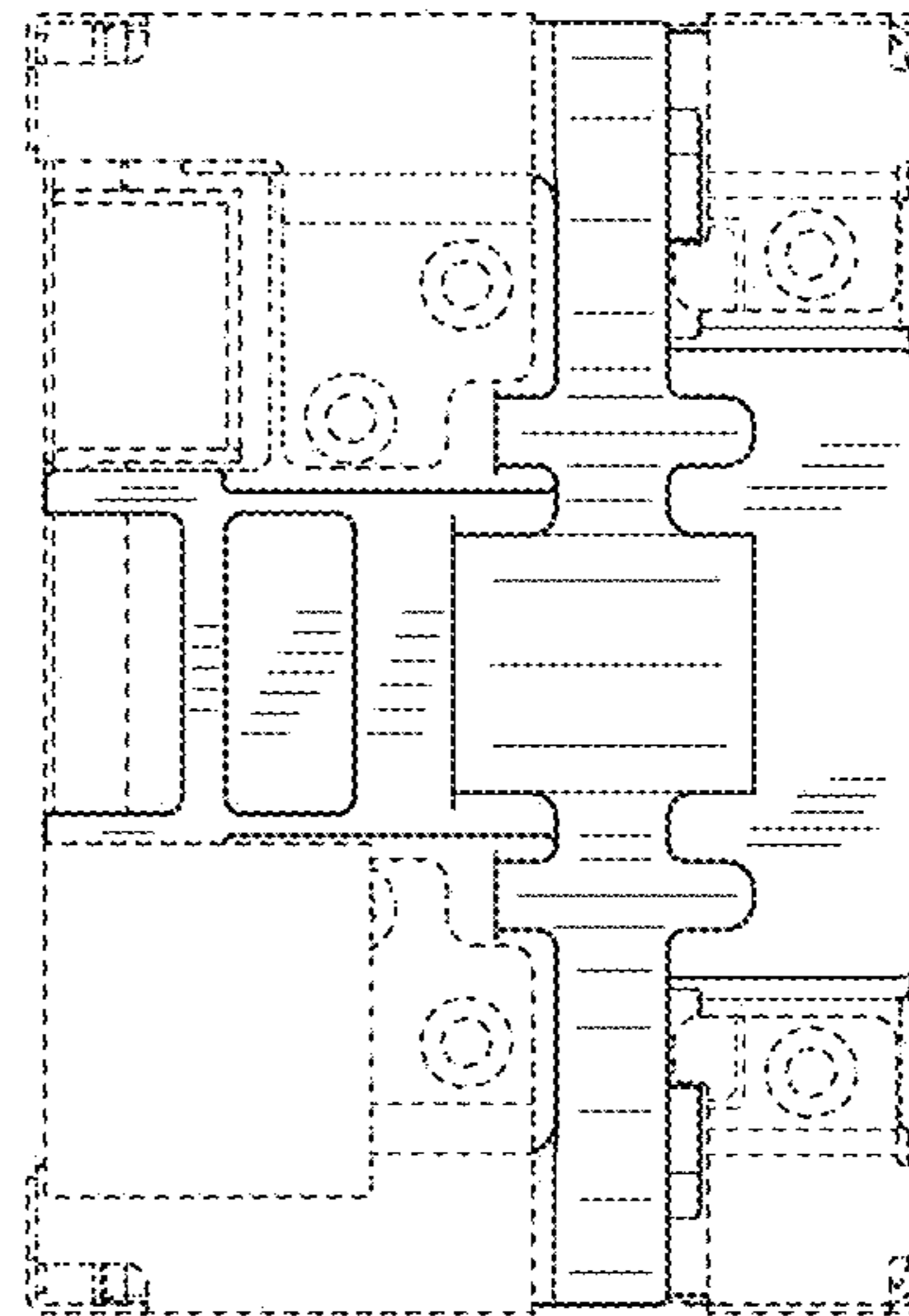


FIG. 6

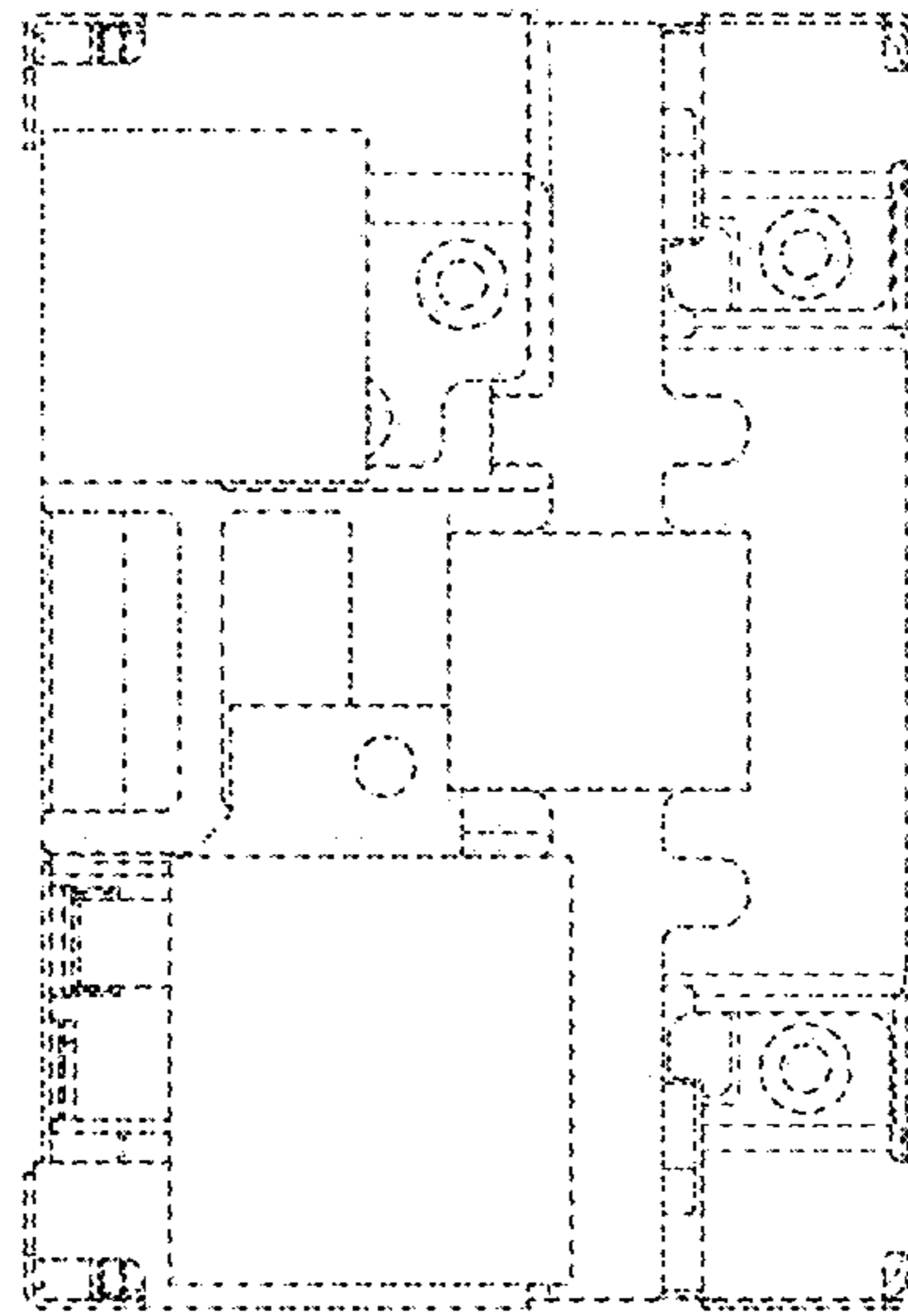


FIG. 7

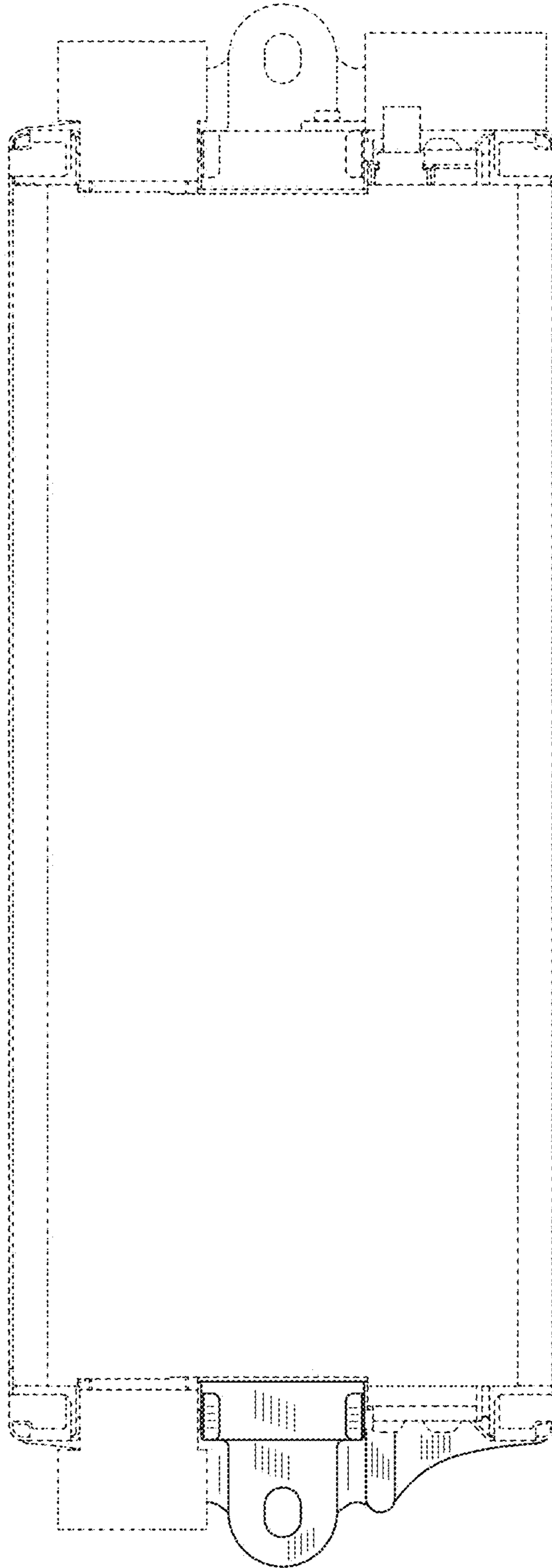


FIG. 8

