



US00D917379S

(12) **United States Design Patent**
Kawagoe et al.

(10) **Patent No.:** **US D917,379 S**
(45) **Date of Patent:** **** Apr. 27, 2021**

- (54) **TIRE FOR AUTOMOBILE**
- (71) Applicant: **SUMITOMO RUBBER INDUSTRIES, LTD.**, Kobe (JP)
- (72) Inventors: **Yoshifumi Kawagoe**, Kobe (JP); **Kotaro Tahara**, Kobe (JP)
- (73) Assignee: **SUMITOMO RUBBER INDUSTRIES, LTD.**, Kobe (JP)
- (**) Term: **15 Years**
- (21) Appl. No.: **29/719,691**
- (22) Filed: **Jan. 7, 2020**
- (51) **LOC (13) Cl.** **12-15**
- (52) **U.S. Cl.**
USPC **D12/605**
- (58) **Field of Classification Search**
USPC D12/604, 605
CPC B60C 13/00; B60C 1/00
See application file for complete search history.

- D801,263 S * 10/2017 Sato D12/605
- D817,860 S * 5/2018 Maxwell D12/605
- D829,644 S * 10/2018 Morita D12/605

(Continued)

Primary Examiner — Michelle E. Wilson
Assistant Examiner — Clese Moore, Jr.
(74) *Attorney, Agent, or Firm* — Birch, Stewart, Kolasch & Birch, LLP

(57) **CLAIM**

The ornamental design for a tire for automobile, as shown and described.

DESCRIPTION

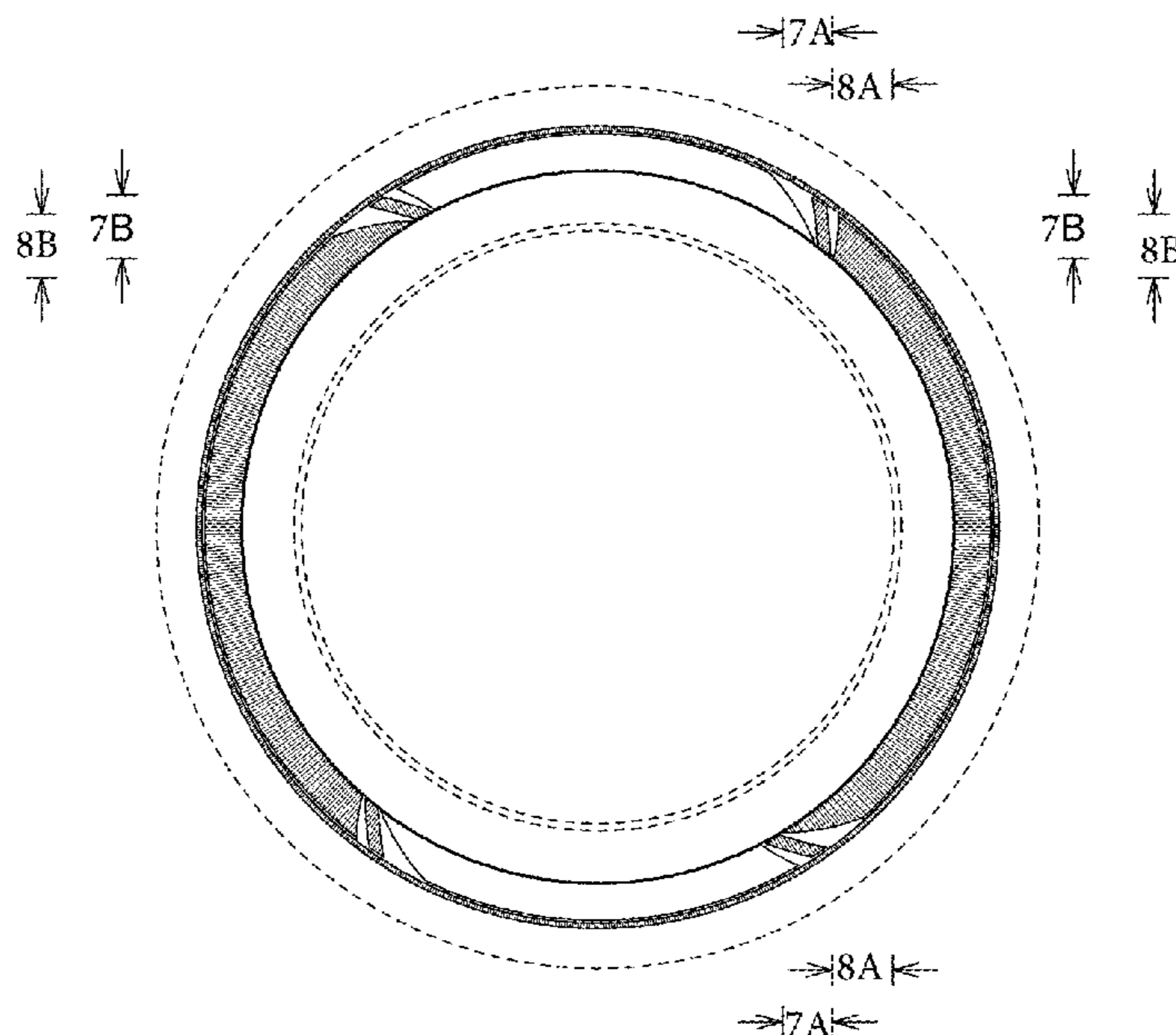
FIG. 1 is a front view of a tire for automobile showing our new design;
FIG. 2 is a rear view thereof;
FIG. 3 is a top plan view thereof;
FIG. 4 is a bottom plan view thereof;
FIG. 5 is a right side view thereof;
FIG. 6 is a left side view thereof;
FIG. 7 is a partial enlarged view of portion 7A-7B thereof;
FIG. 8 is a partial enlarged view of portion 8A-8B thereof;
FIG. 9 is an enlarged end elevational view taken along line 9-9 of FIG. 7;
FIG. 10 is an enlarged end elevational view taken along line 10-10 of FIG. 7;
FIG. 11 is an enlarged end elevational view taken along line 11-11 of FIG. 8;
FIG. 12 is an enlarged end elevational view taken along line 12-12 of FIG. 8;
FIG. 13 is a partial enlarged view of portion 13 of FIG. 11; and,
FIG. 14 is a partial enlarged view of portion 14 of FIG. 12.
The portions of the drawings illustrated in broken lines are directed to the environment of the design and form no part of the claimed design.

(56) **References Cited**

U.S. PATENT DOCUMENTS

- D549,168 S * 8/2007 Shondel D12/605
- D569,792 S * 5/2008 Holden D12/605
- D588,529 S * 3/2009 Reese D12/605
- D588,532 S * 3/2009 Shondel D12/605
- D602,427 S * 10/2009 Takahashi D12/605
- D628,959 S * 12/2010 Harvey D12/605
- D638,783 S * 5/2011 Endou D12/605
- D656,089 S * 3/2012 Miyazaki D12/605
- D680,490 S * 4/2013 Iwabuchi D12/605
- D683,695 S * 6/2013 Takeshima D12/605
- D700,886 S * 3/2014 Matsumoto D12/605
- D740,747 S * 10/2015 Sato D12/605
- D768,067 S * 10/2016 Kuwano D12/605
- D777,658 S * 1/2017 Taniguchi D12/605
- D791,694 S * 7/2017 Sato D12/605

1 Claim, 14 Drawing Sheets



(56)

References Cited

U.S. PATENT DOCUMENTS

D829,645 S *	10/2018	Morita	D12/605
D830,960 S *	10/2018	Sato	D12/605
D848,359 S *	5/2019	Furusawa	D12/605
D851,028 S *	6/2019	Mishima	D12/605
D852,734 S *	7/2019	Tanaka	D12/605
D853,950 S *	7/2019	Kubota	D12/605
D854,495 S *	7/2019	Mishima	D12/605
D860,930 S *	9/2019	Ishii	D12/605

* cited by examiner

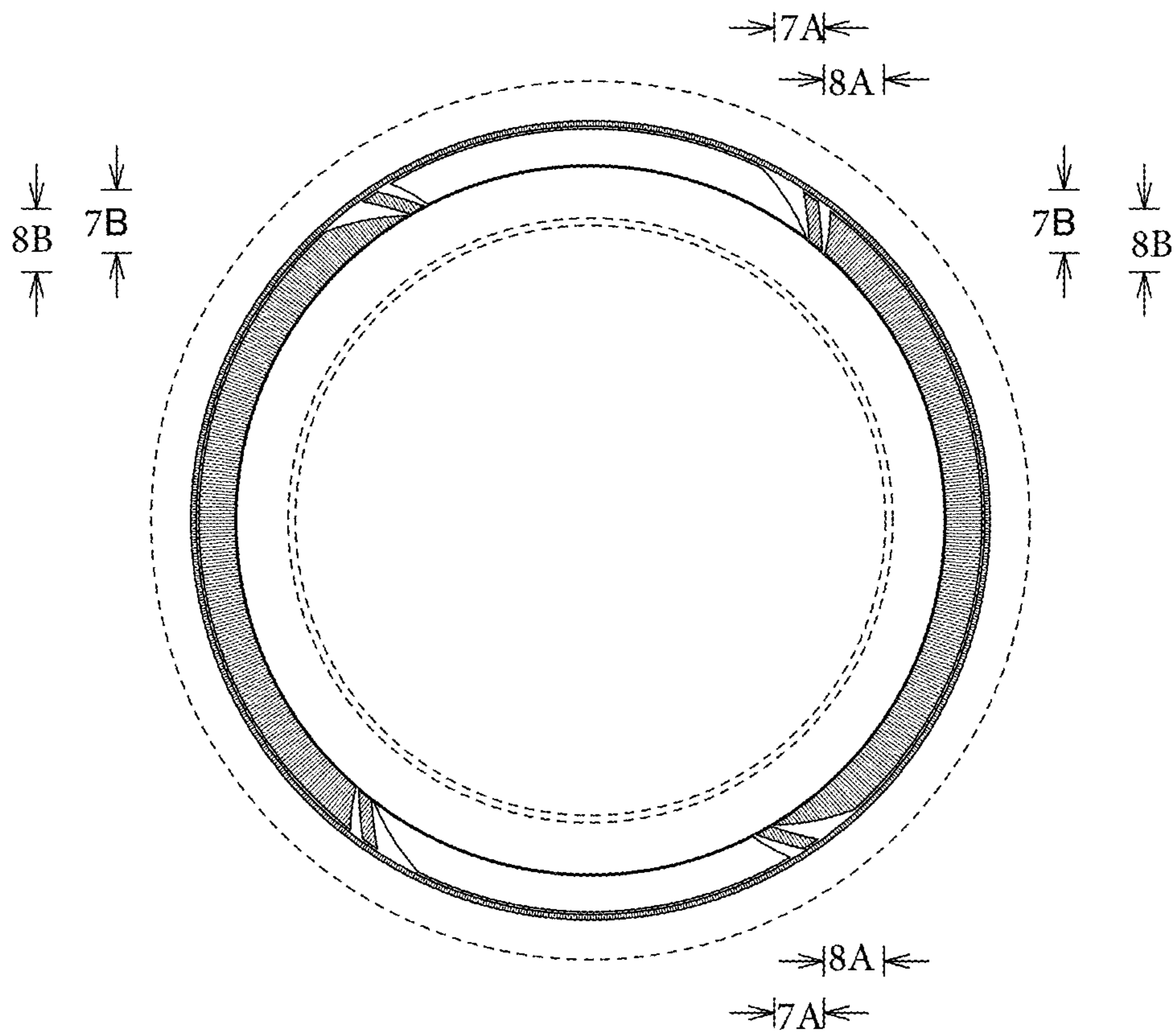


FIG. 1

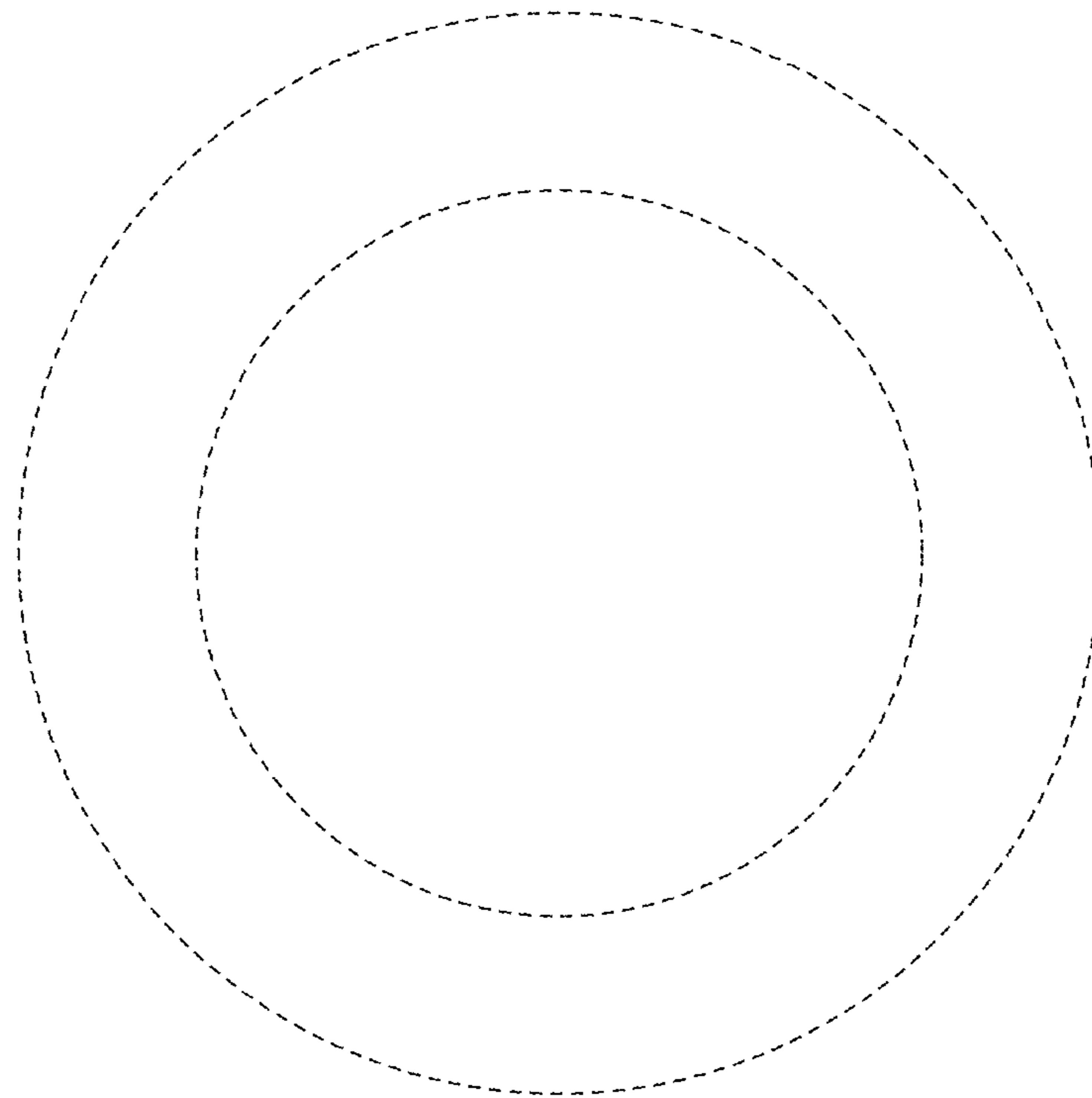


FIG. 2



FIG. 3



FIG. 4

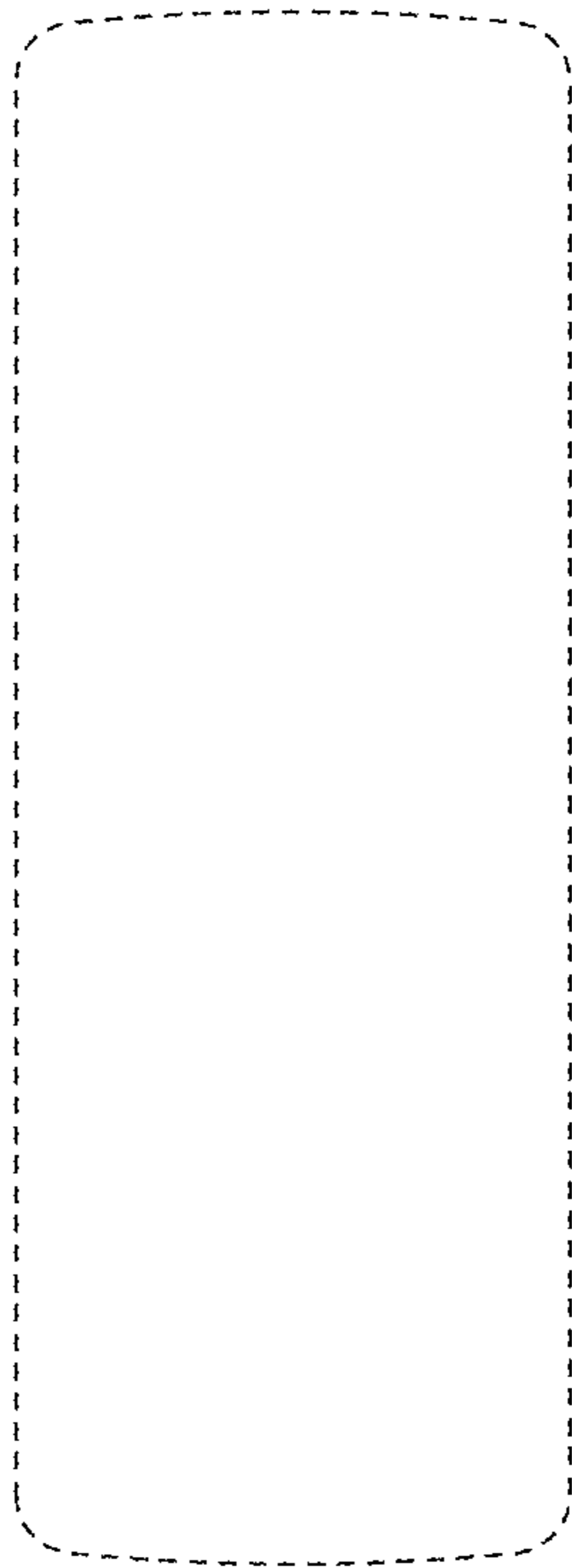


FIG. 5

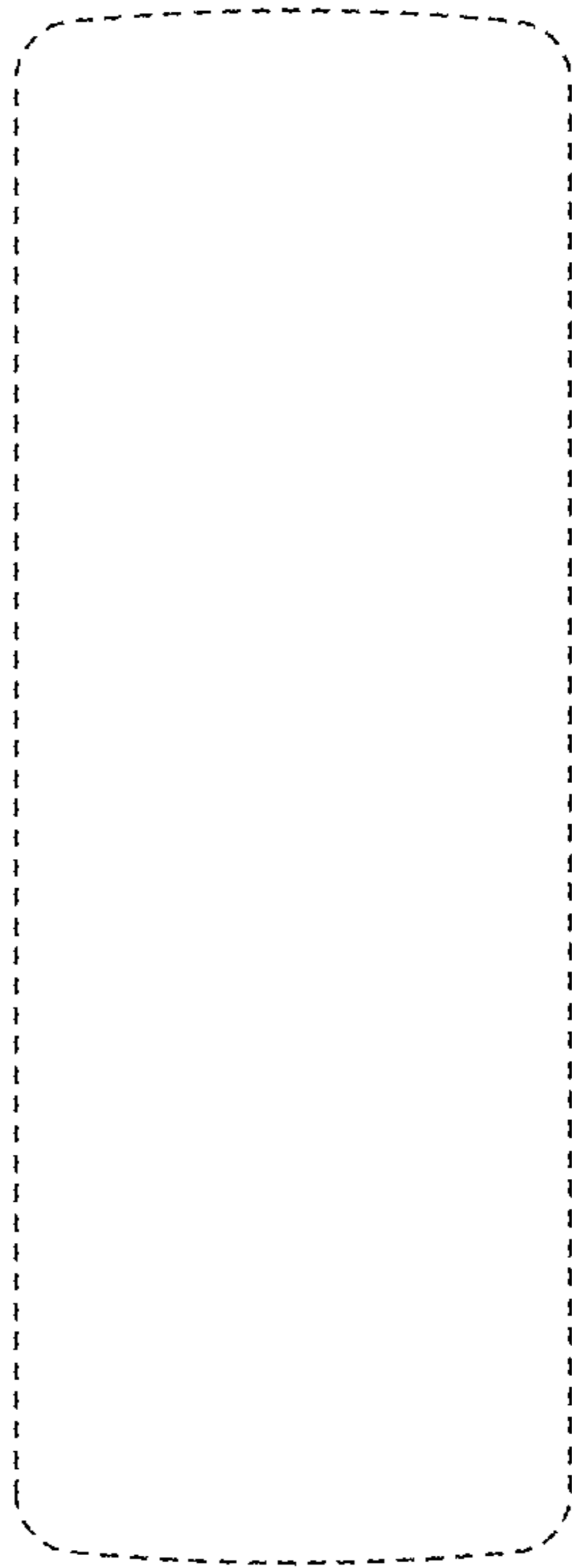


FIG. 6

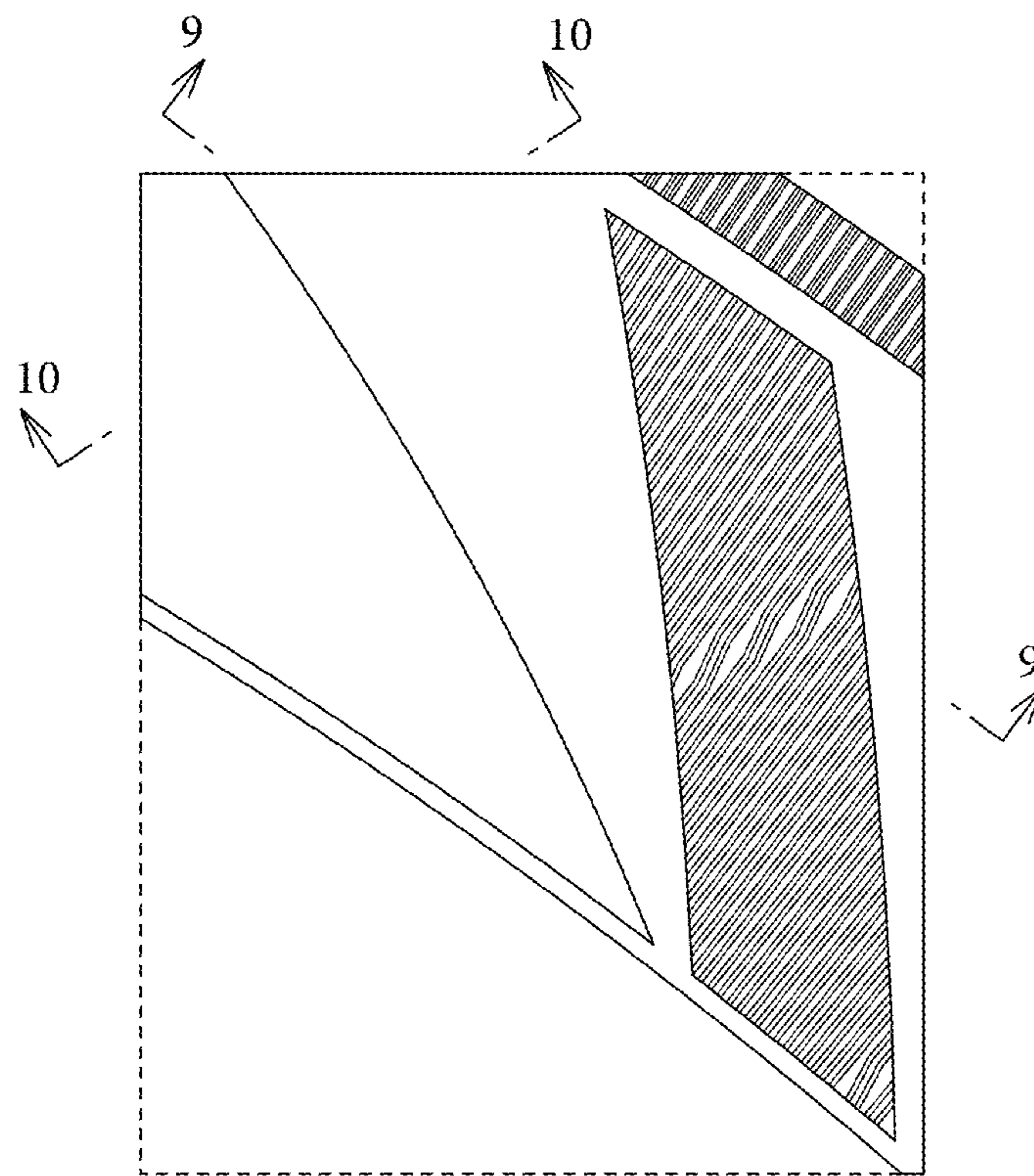


FIG. 7

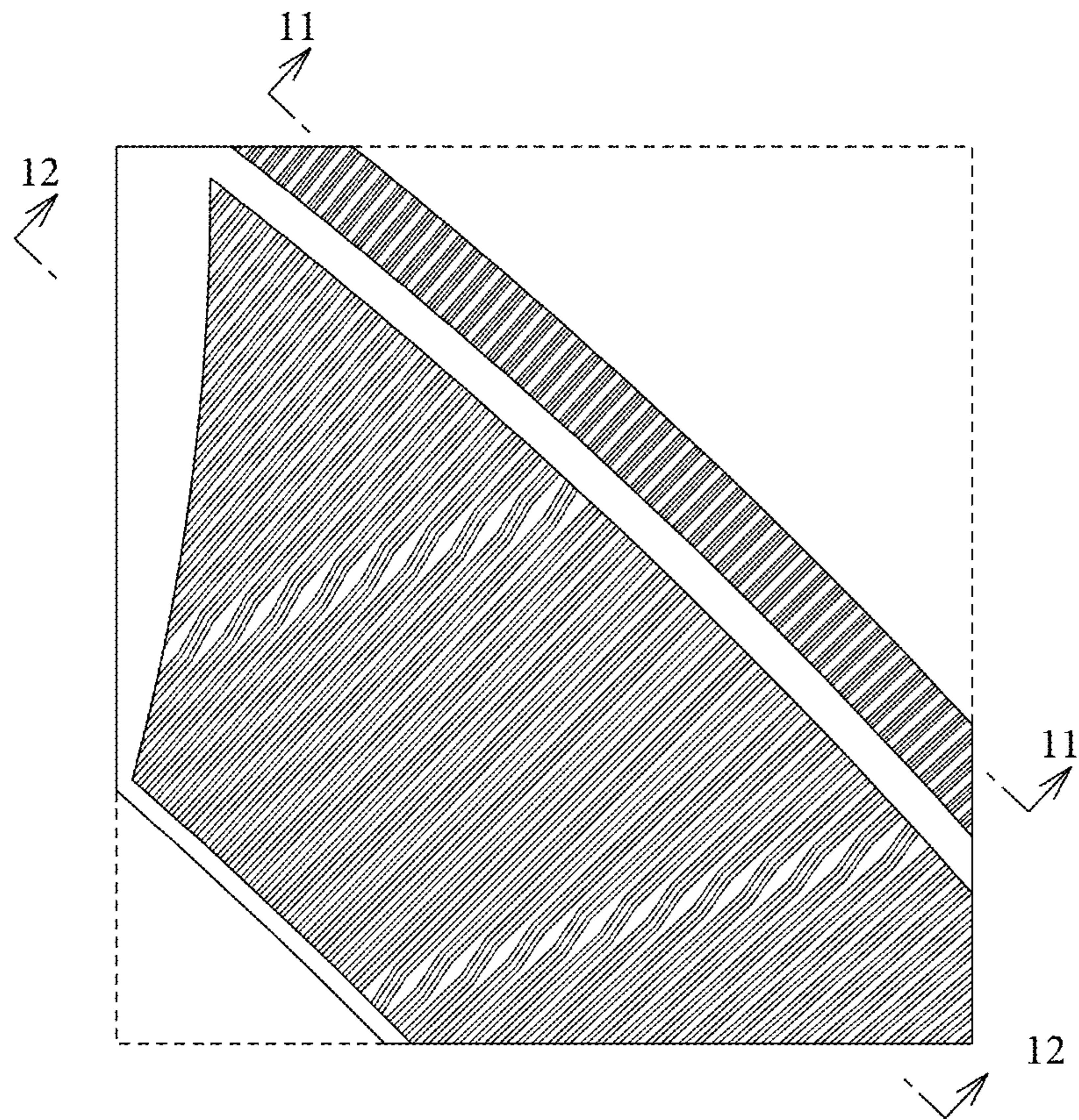


FIG. 8

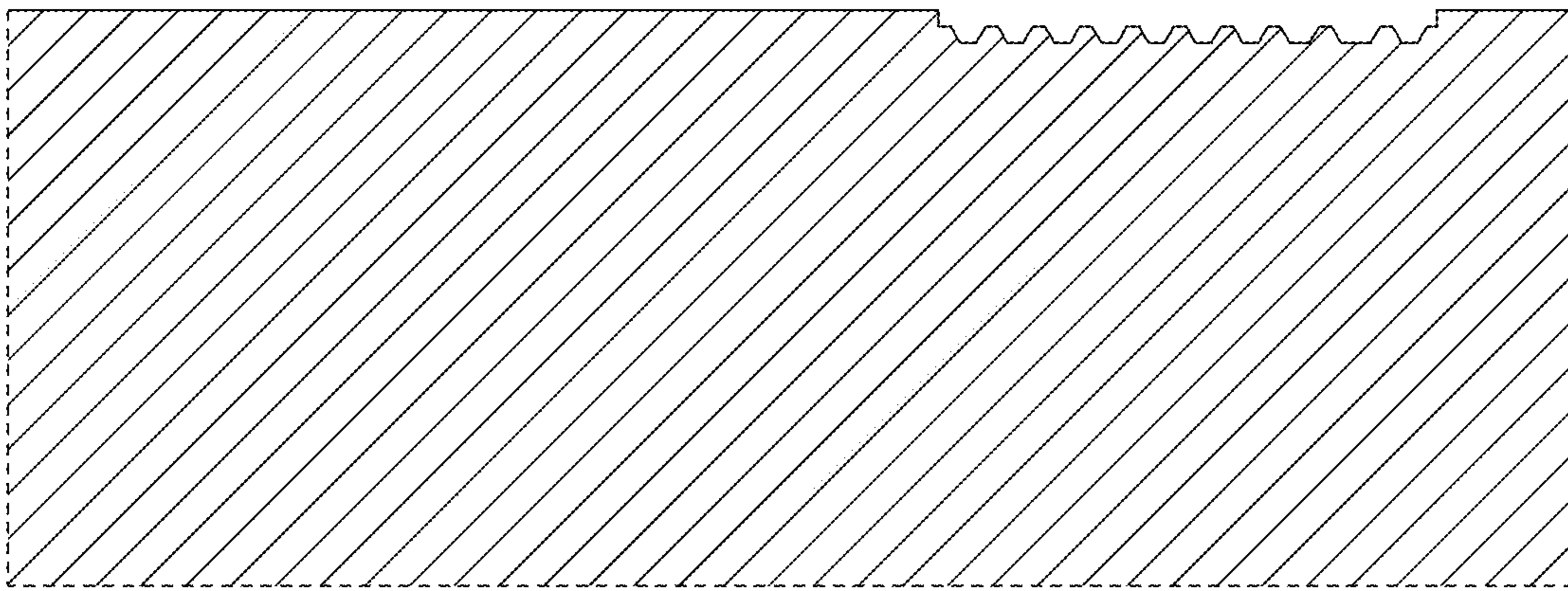


FIG. 9

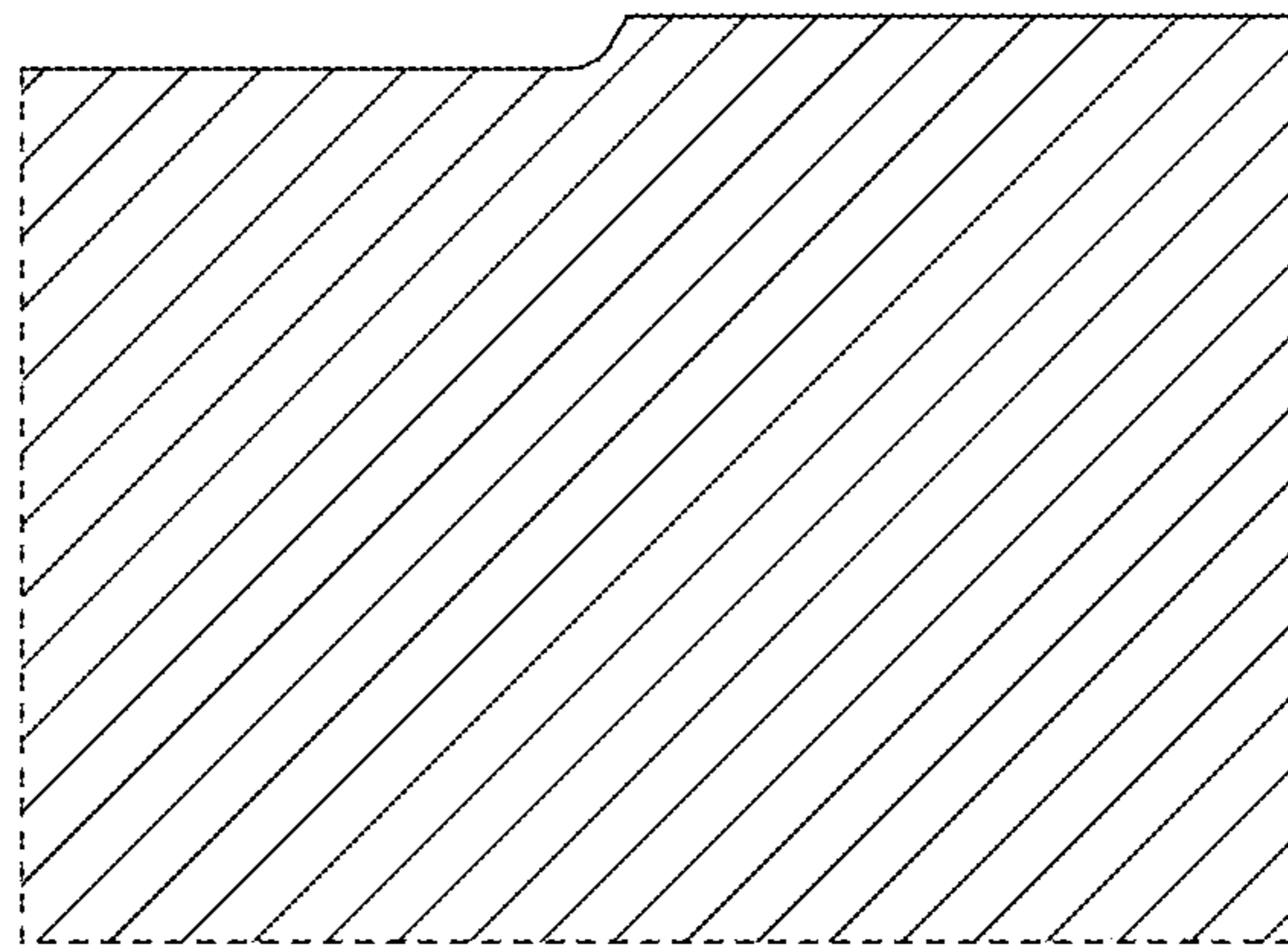


FIG. 10

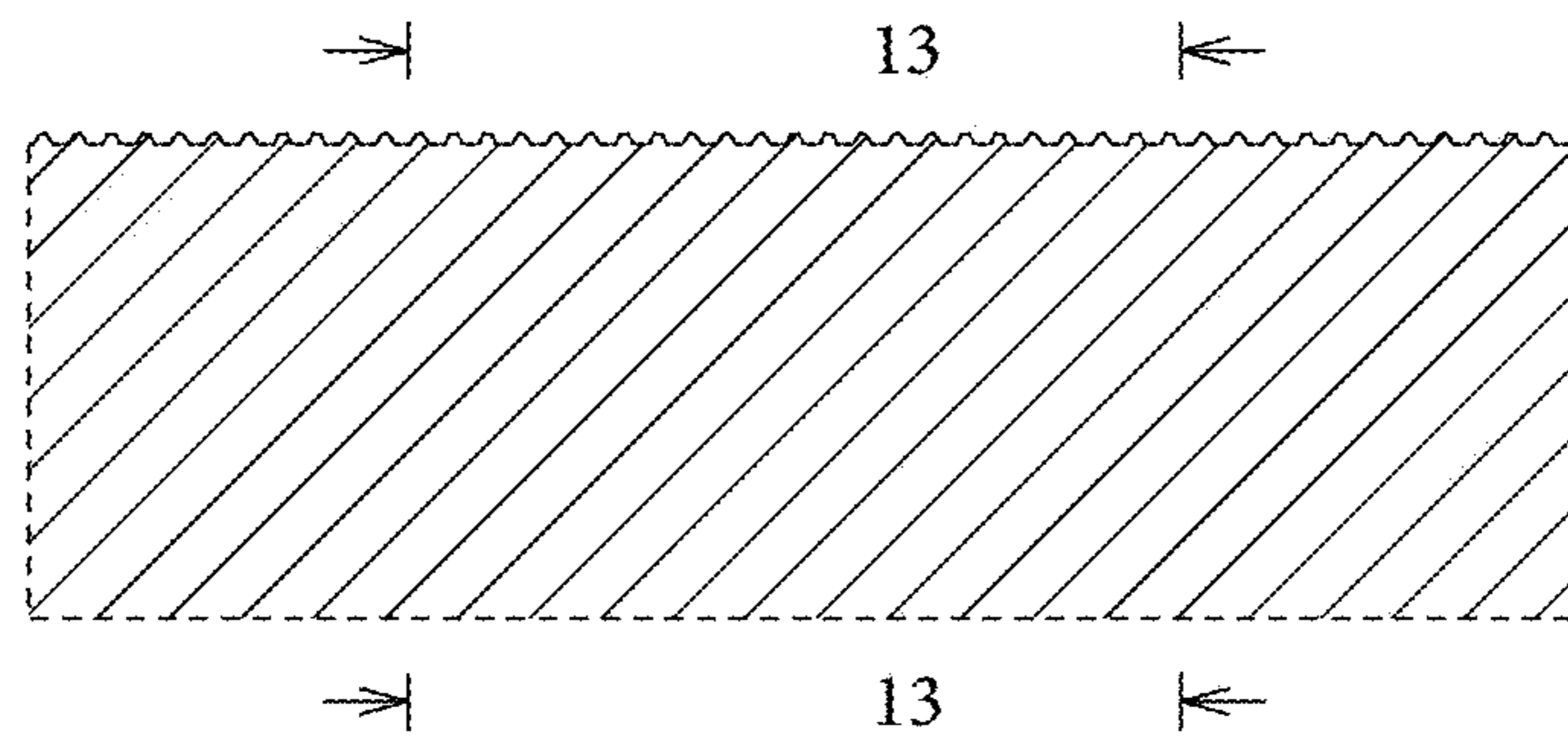


FIG. 11

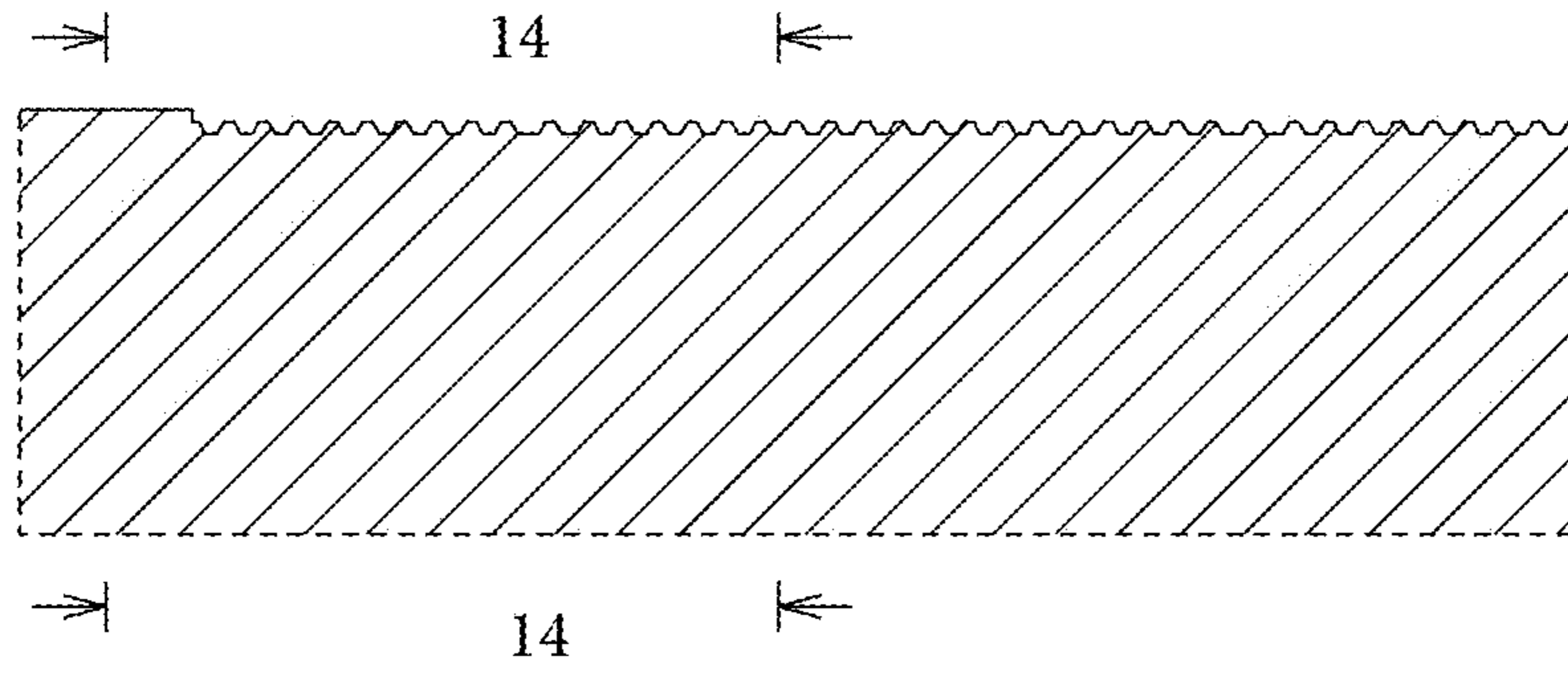


FIG. 12

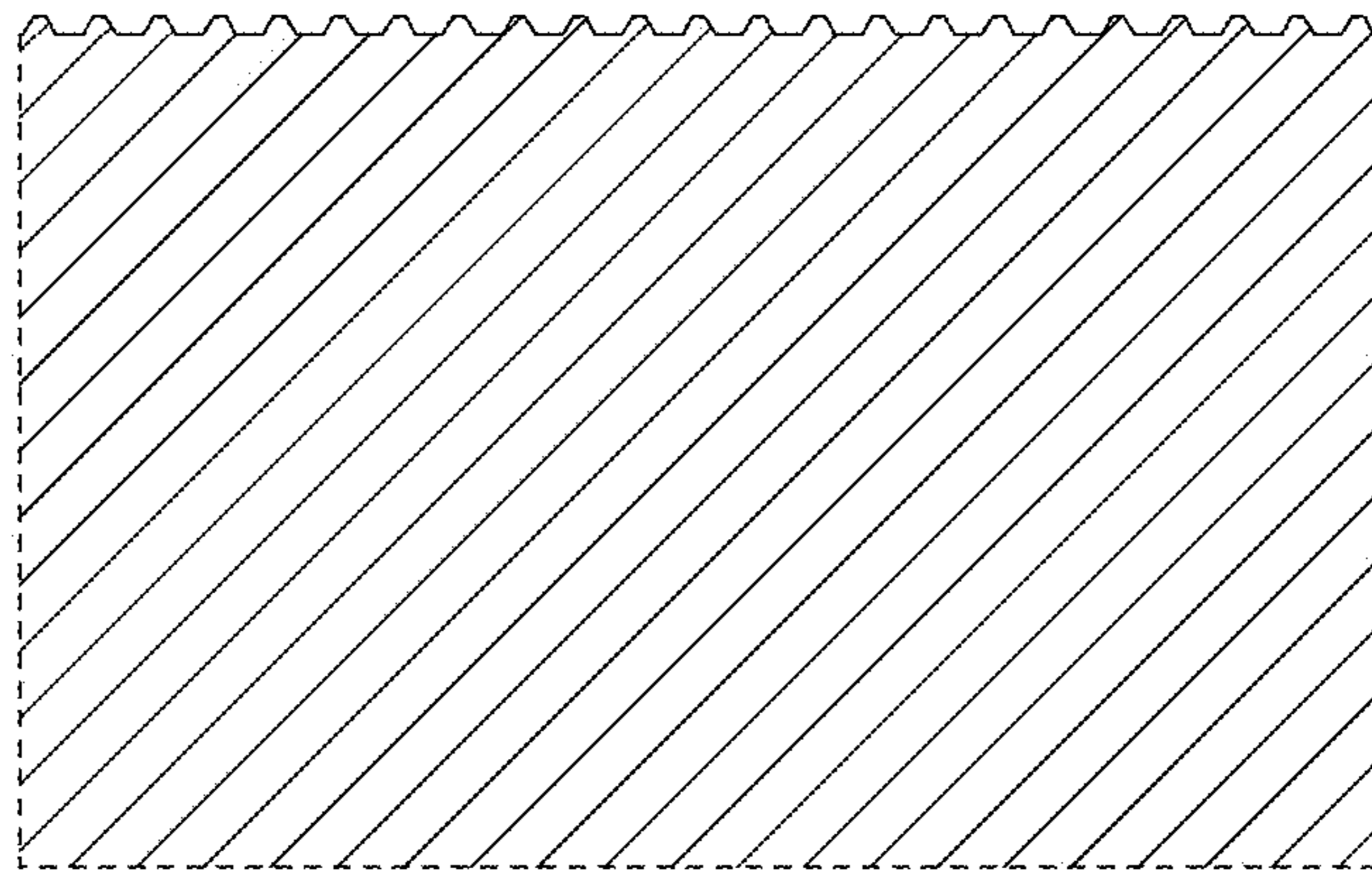


FIG. 13

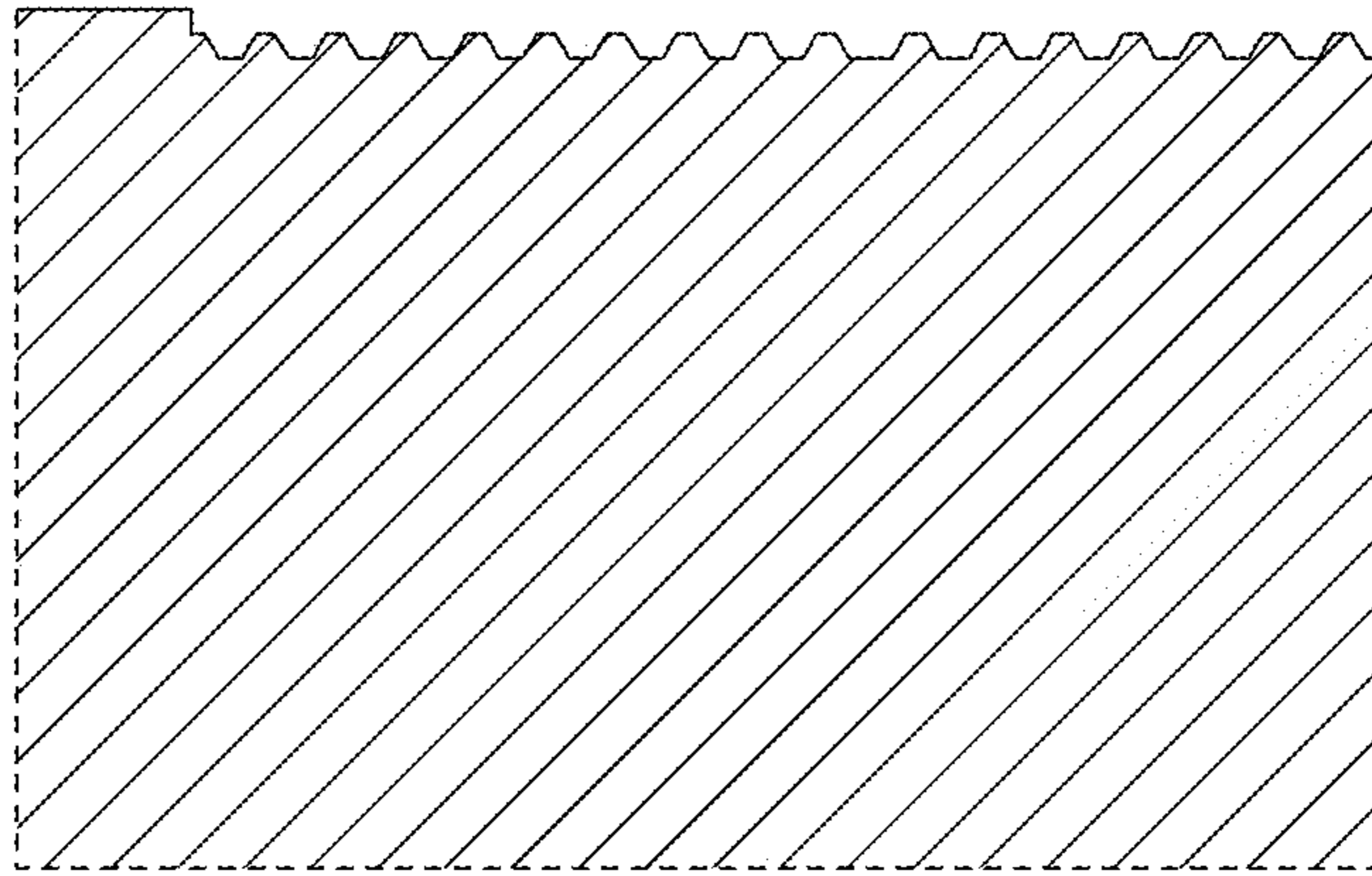


FIG. 14