



US00D917378S

(12) **United States Design Patent**
Kunkel et al.

(10) **Patent No.:** **US D917,378 S**
(45) **Date of Patent:** **** Apr. 27, 2021**

(54) **TIRE FOR AUTOMOBILE**

DESCRIPTION

(71) Applicant: **SUMITOMO RUBBER INDUSTRIES, LTD.**, Kobe (JP)
(72) Inventors: **Daniel Kunkel**, Hanau (DE); **Peter Glasner**, Hanau (DE); **Jaap Leendertse**, Hanau (DE)
(73) Assignee: **SUMITOMO RUBBER INDUSTRIES, LTD.**, Kobe (JP)
(**) Term: **15 Years**
(21) Appl. No.: **29/710,623**
(22) Filed: **Oct. 24, 2019**
(30) **Foreign Application Priority Data**
Sep. 10, 2019 (JP) 2019-020236
(51) **LOC (13) Cl.** **12-15**
(52) **U.S. Cl.**
USPC **D12/605**
(58) **Field of Classification Search**
USPC D12/604, 605
(Continued)

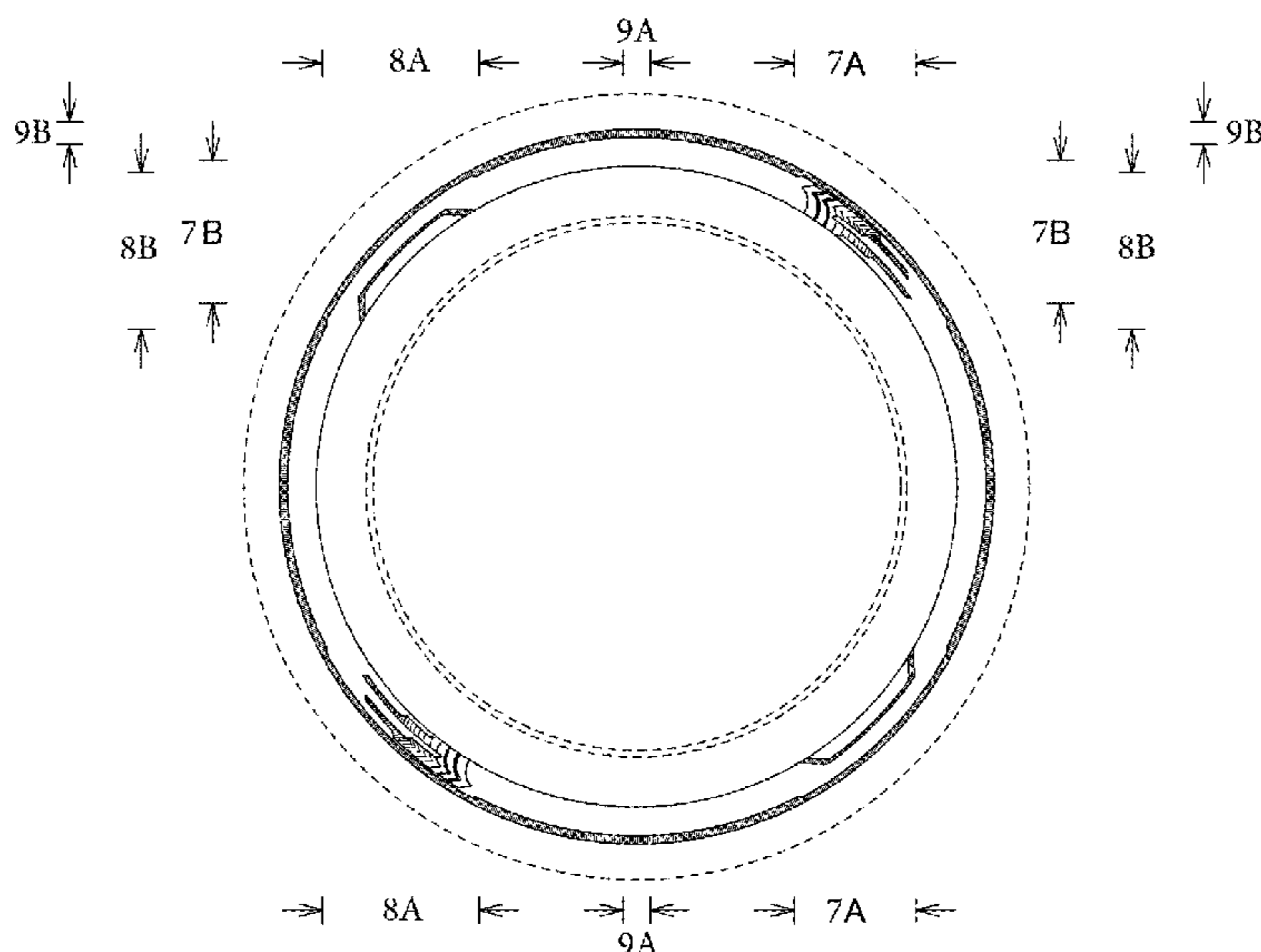
(56) **References Cited**
U.S. PATENT DOCUMENTS
D550,150 S * 9/2007 Shondel D12/605
D569,336 S * 5/2008 Onoe D12/605
(Continued)

Primary Examiner — Michelle E. Wilson
Assistant Examiner — Clese Moore, Jr.
(74) *Attorney, Agent, or Firm* — Birch, Stewart, Kolasch & Birch, LLP

(57) **CLAIM**
The ornamental design for a tire for automobile, as shown and described.

FIG. 1 is a front view of a tire for automobile showing our new design;
FIG. 2 is a rear view thereof;
FIG. 3 is a top plan view thereof;
FIG. 4 is a bottom plan view thereof;
FIG. 5 is a right side view thereof;
FIG. 6 is a left side view thereof;
FIG. 7 is a partial enlarged view of portion 7A-7B thereof;
FIG. 8 is a partial enlarged view of portion 8A-8B thereof;
FIG. 9 is a partial enlarged view of portion 9A-9B thereof;
FIG. 10 is a partial enlarged view of portion 10A-10B of FIG. 7;
FIG. 11 is a partial enlarged view of portion 11A-11B of FIG. 7;
FIG. 12 is a partial enlarged view of portion 12A-12B of FIG. 8;
FIG. 13 is an end elevational view taken along line 13-13 of FIG. 10;
FIG. 14 is an end elevational view taken along line 14-14 of FIG. 10;
FIG. 15 is an end elevational view taken along line 15-15 of FIG. 11;
FIG. 16 is a partial enlarged view of portion 16-16 of FIG. 13;
FIG. 17 is a partial enlarged view of portion 17-17 of FIG. 13;
FIG. 18 is a partial enlarged view of portion 18-18 of FIG. 14;
FIG. 19 is a partial enlarged view of portion 19-19 of FIG. 14;
FIG. 20 is a partial enlarged view of portion 20-20 of FIG. 15;
FIG. 21 is an enlarged end elevational view taken along line 21-21 of FIG. 12; and,
FIG. 22 is an end elevational view taken along line 22-22 of FIG. 9.
The portions of the drawings illustrated in broken lines are directed to the environment of the design and form no part of the claimed design.

1 Claim, 22 Drawing Sheets



(58) **Field of Classification Search**

CPC B60C 13/00; B60C 1/00
See application file for complete search history.

(56) **References Cited**

U.S. PATENT DOCUMENTS

D569,792	S	*	5/2008	Holden	D12/605
D590,332	S	*	4/2009	Sato	D12/605
D593,486	S	*	6/2009	Yonetsu	D12/605
D593,939	S	*	6/2009	Maxwell	D12/605
D596,118	S	*	7/2009	Frappart	D12/605
D632,641	S	*	2/2011	Sato	D12/605
D640,187	S	*	6/2011	Fontaine	D12/605
D655,671	S	*	3/2012	Yasunaga	D12/605
D662,877	S	*	7/2012	Arrant	D12/605
D668,210	S	*	10/2012	Sato	D12/605
D676,805	S	*	2/2013	Iwabuchi	D12/605
D684,109	S	*	6/2013	Iwabuchi	D12/605
D709,025	S	*	7/2014	Takahashi	D12/605
D750,555	S	*	3/2016	Iwabuchi	D12/605
D754,063	S	*	4/2016	Iwabuchi	D12/605
D769,807	S	*	10/2016	Ishikawa	D12/605
D791,693	S	*	7/2017	Iwabuchi	D12/605
D795,178	S	*	8/2017	Maxwell	D12/605
D800,643	S	*	10/2017	Scheifele	D12/605
D803,149	S	*	11/2017	Ishikawa	D12/605
D847,737	S	*	5/2019	Yasunaga	D12/605
D851,030	S	*	6/2019	Nagase	D12/605
D856,915	S	*	8/2019	Nagase	D12/605
D858,431	S	*	9/2019	Yamaoka	D12/605

* cited by examiner

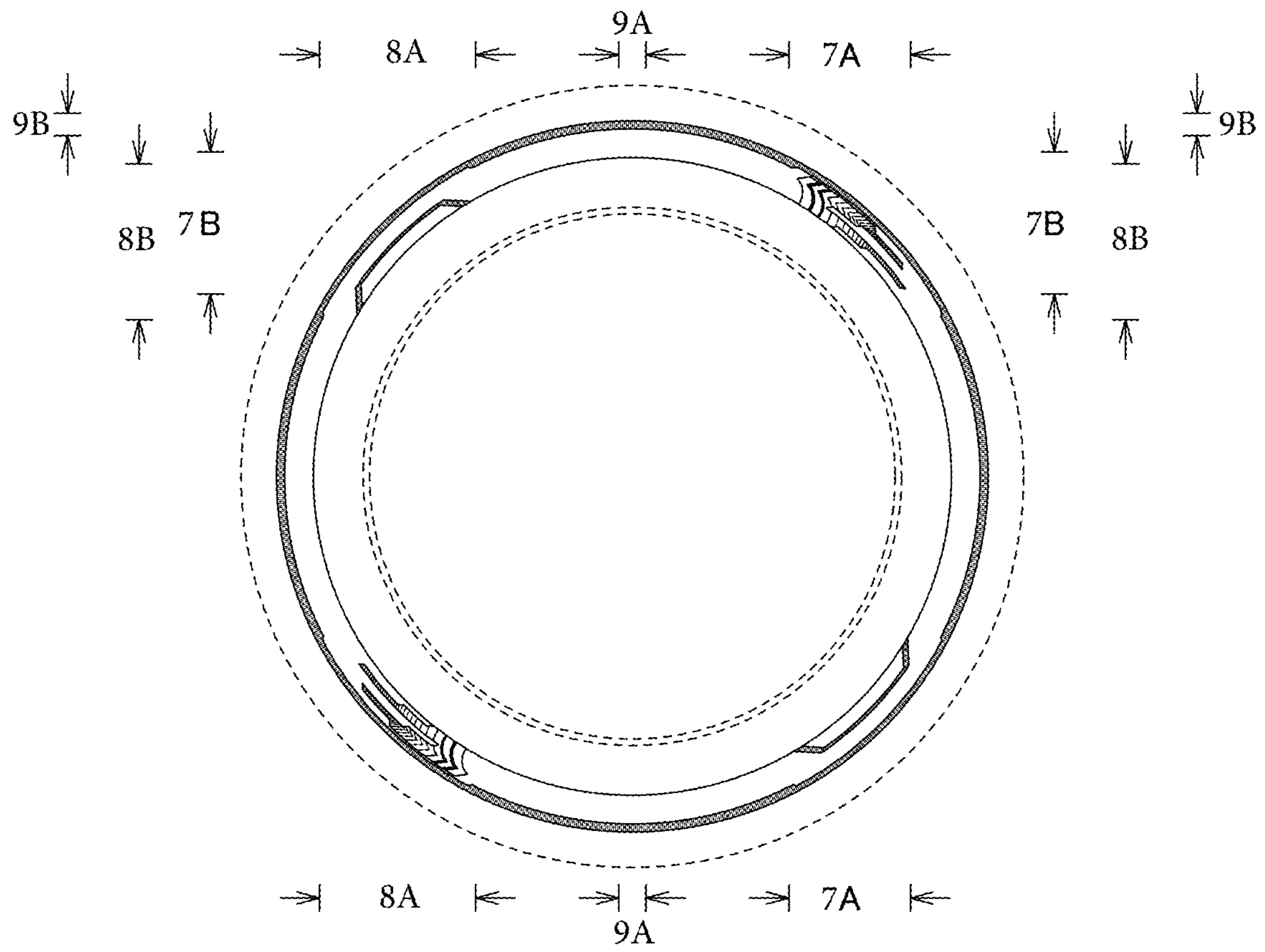


FIG. 1

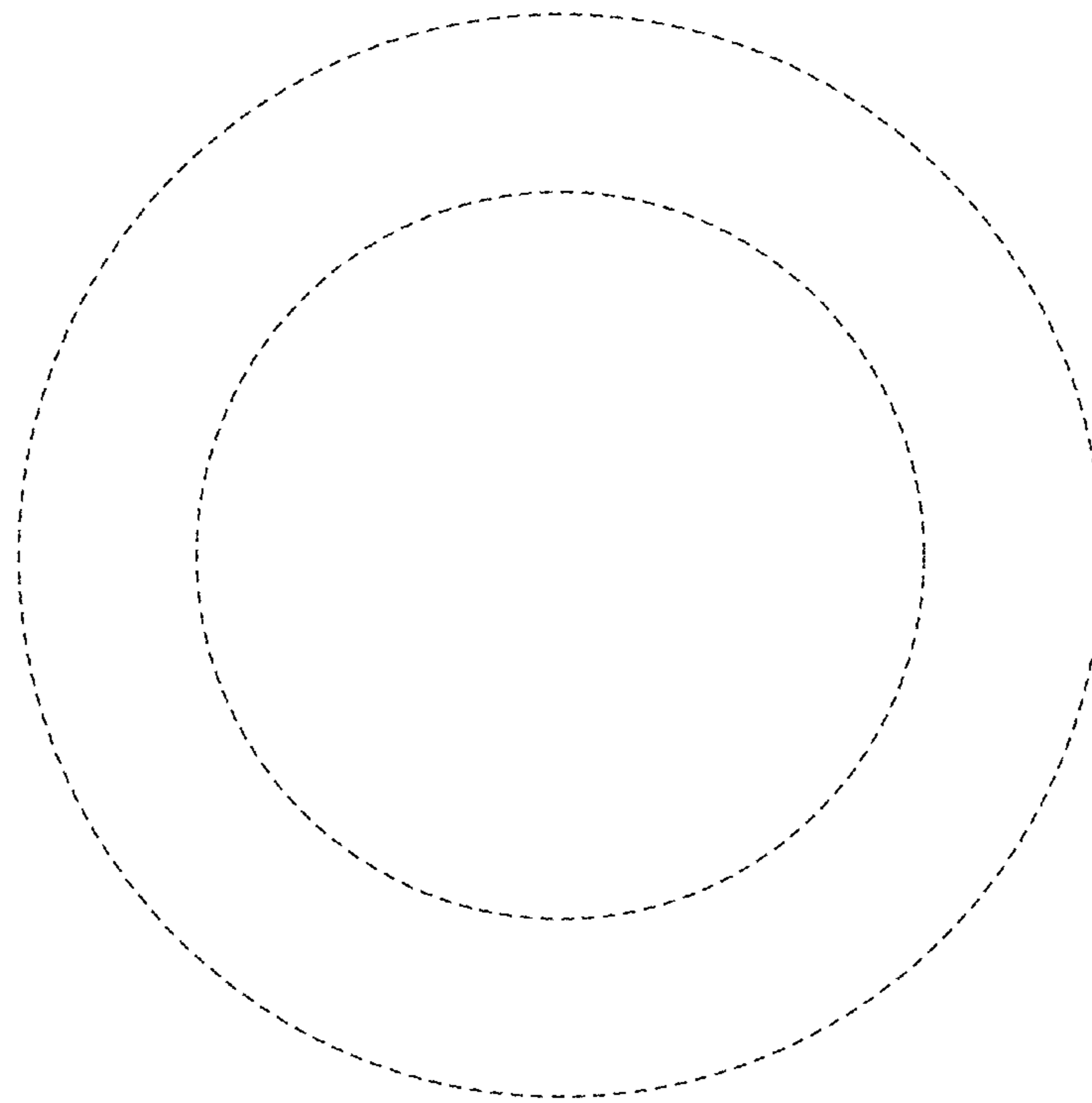


FIG. 2



FIG. 3



FIG. 4

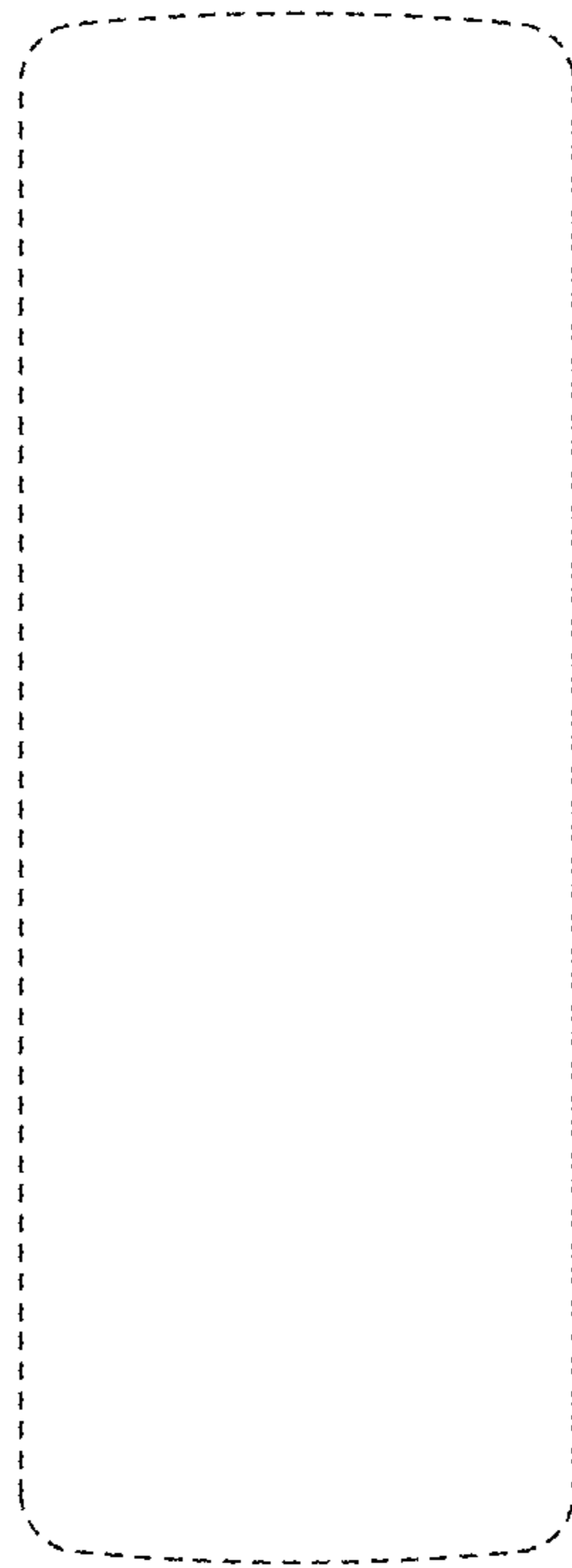


FIG. 5

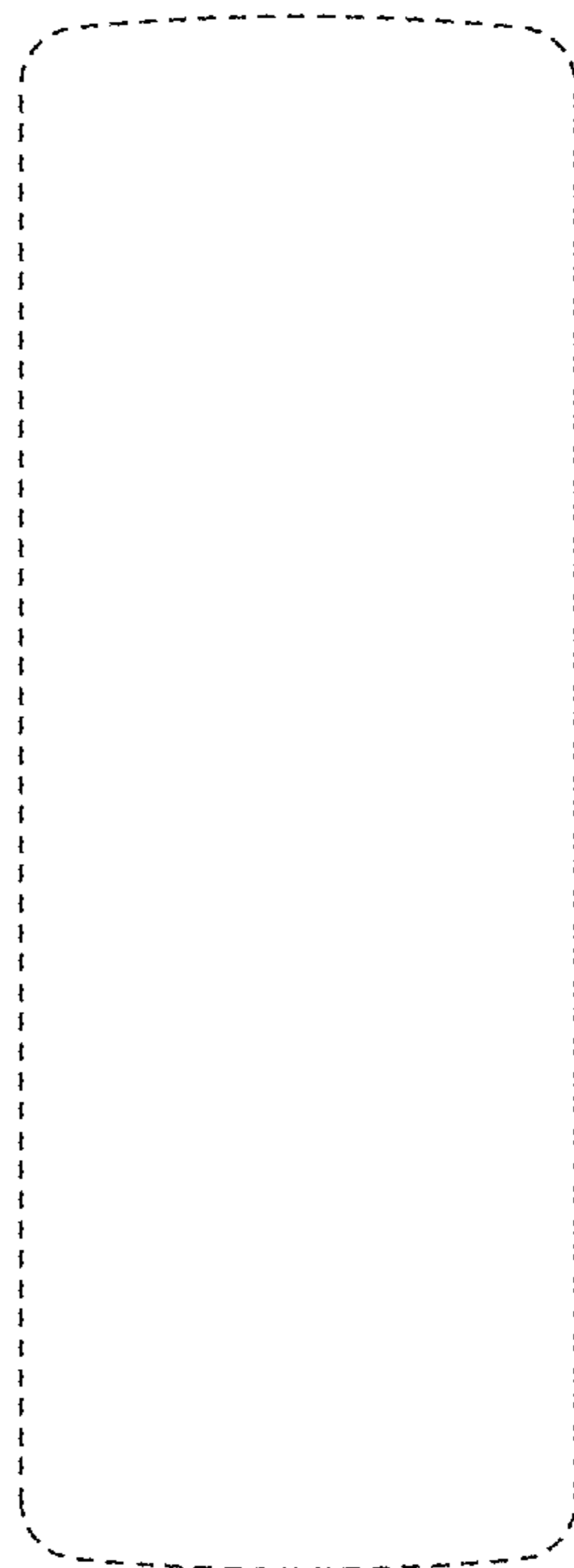


FIG. 6

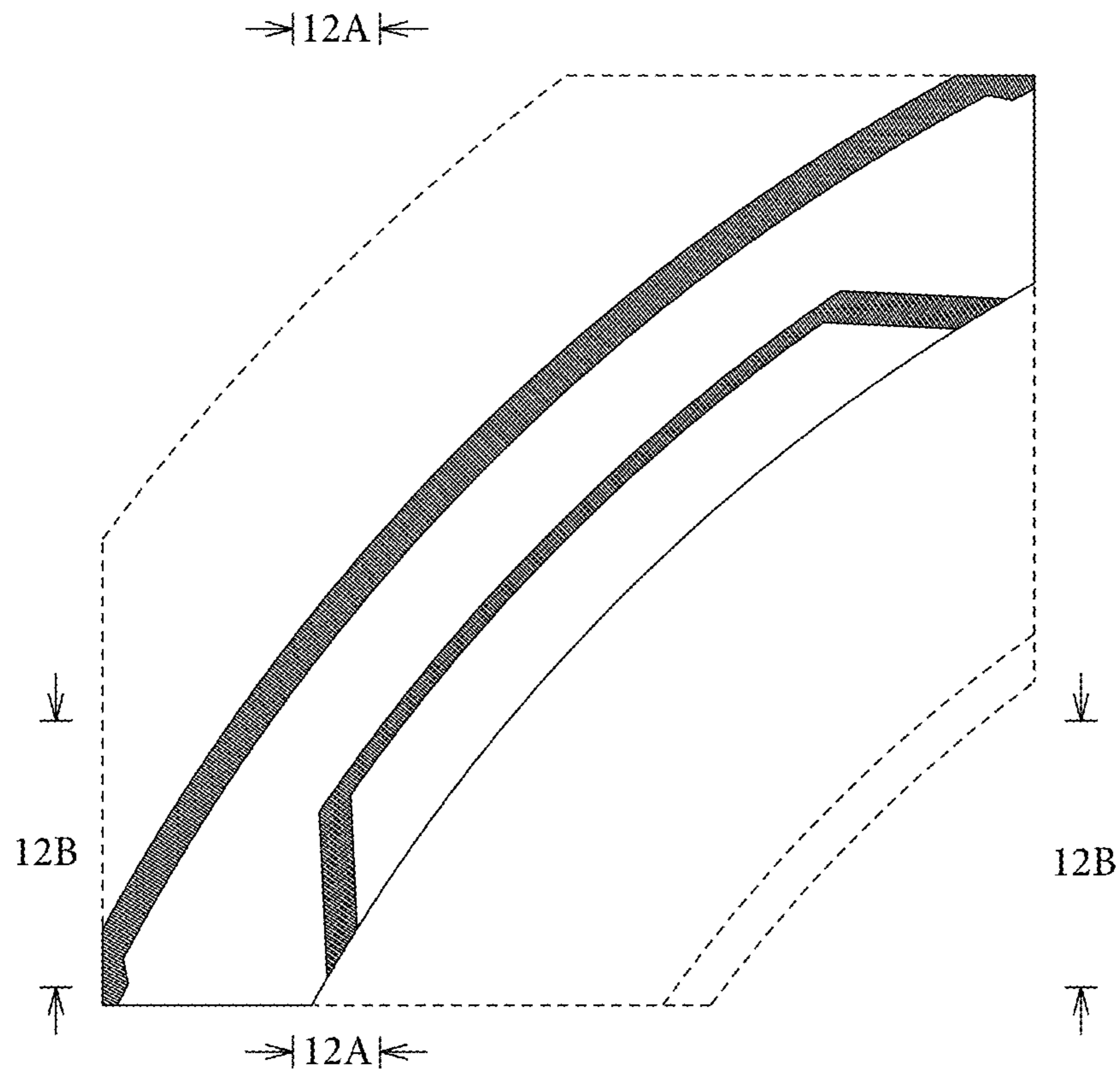


FIG. 8

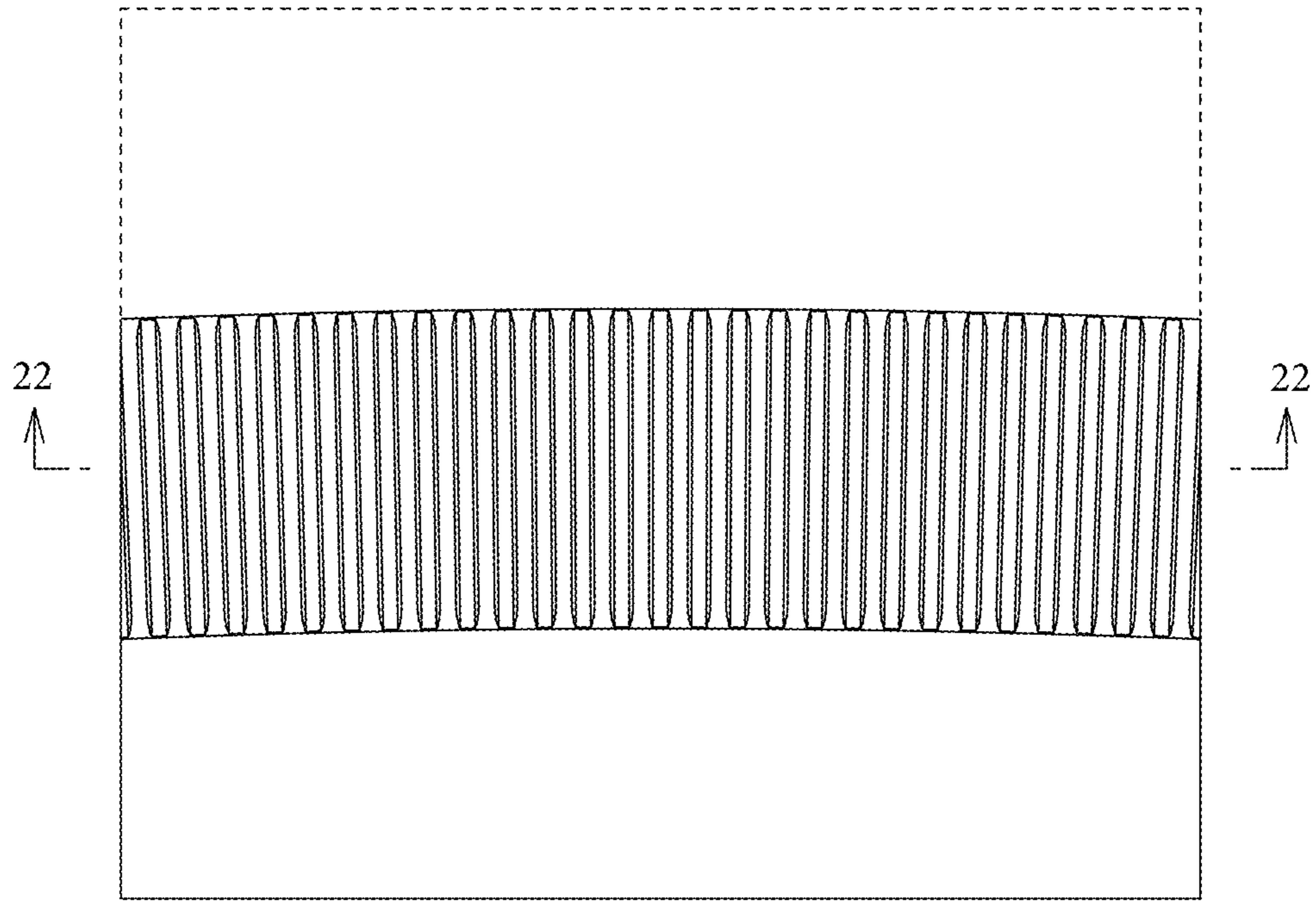


FIG. 9

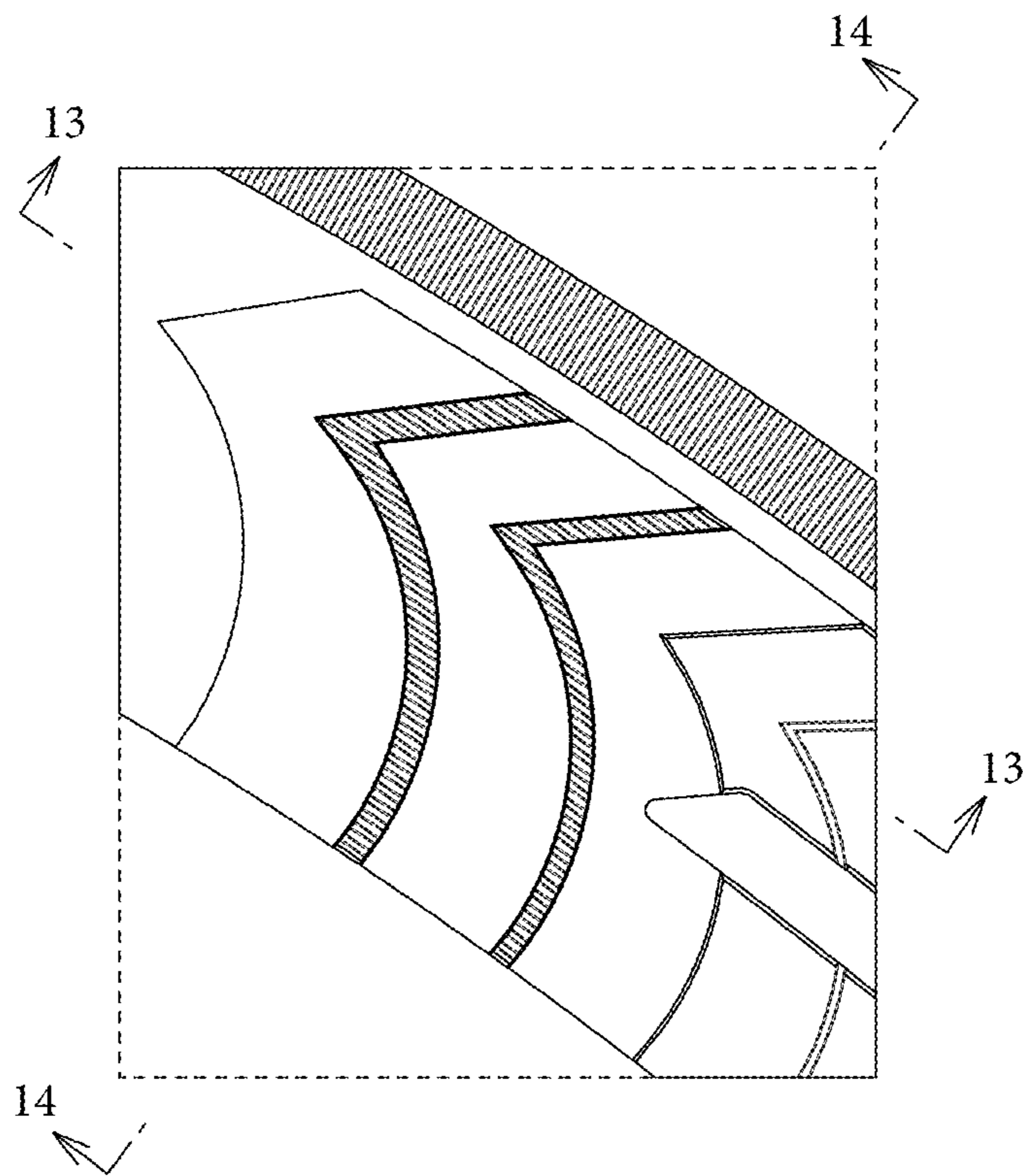


FIG. 10

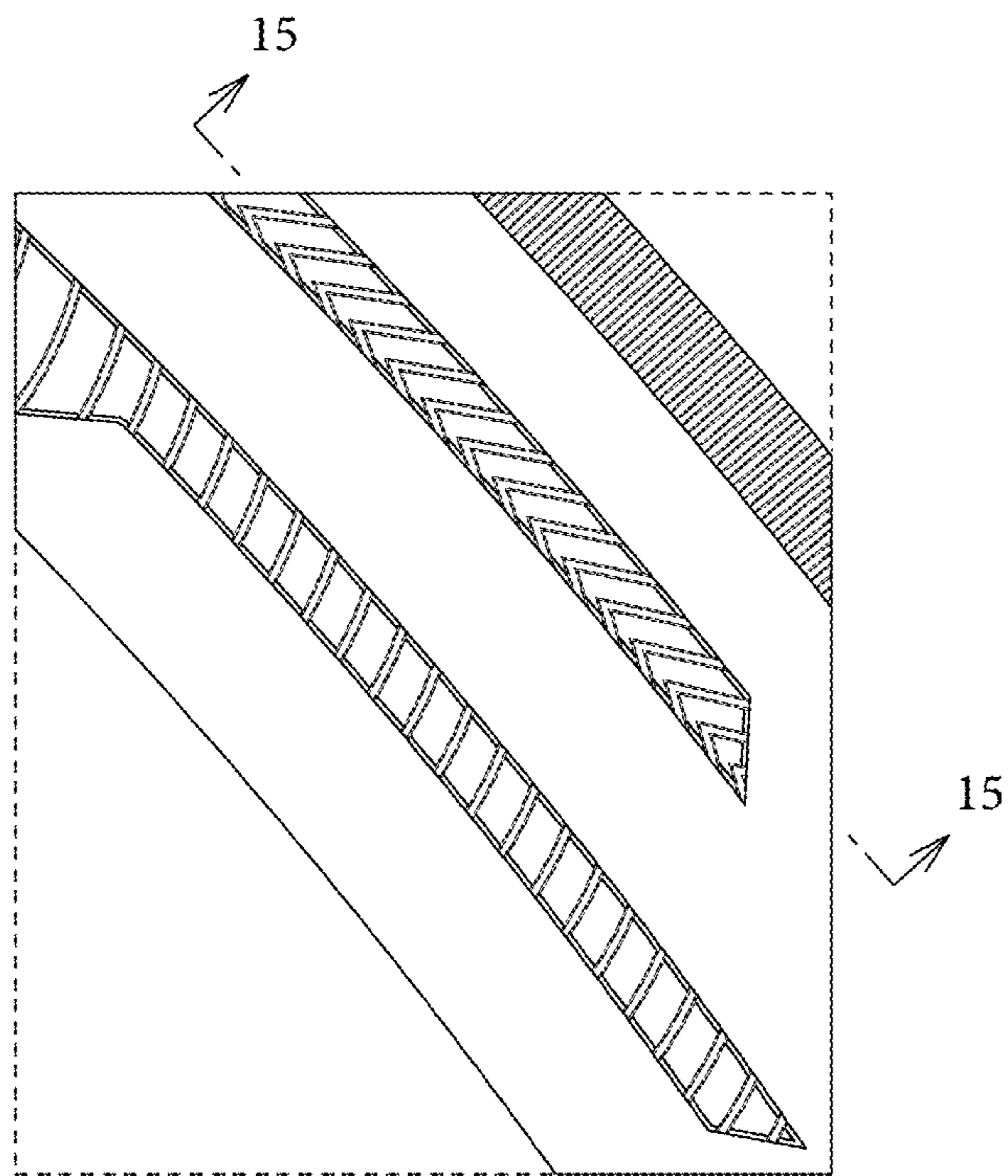


FIG. 11

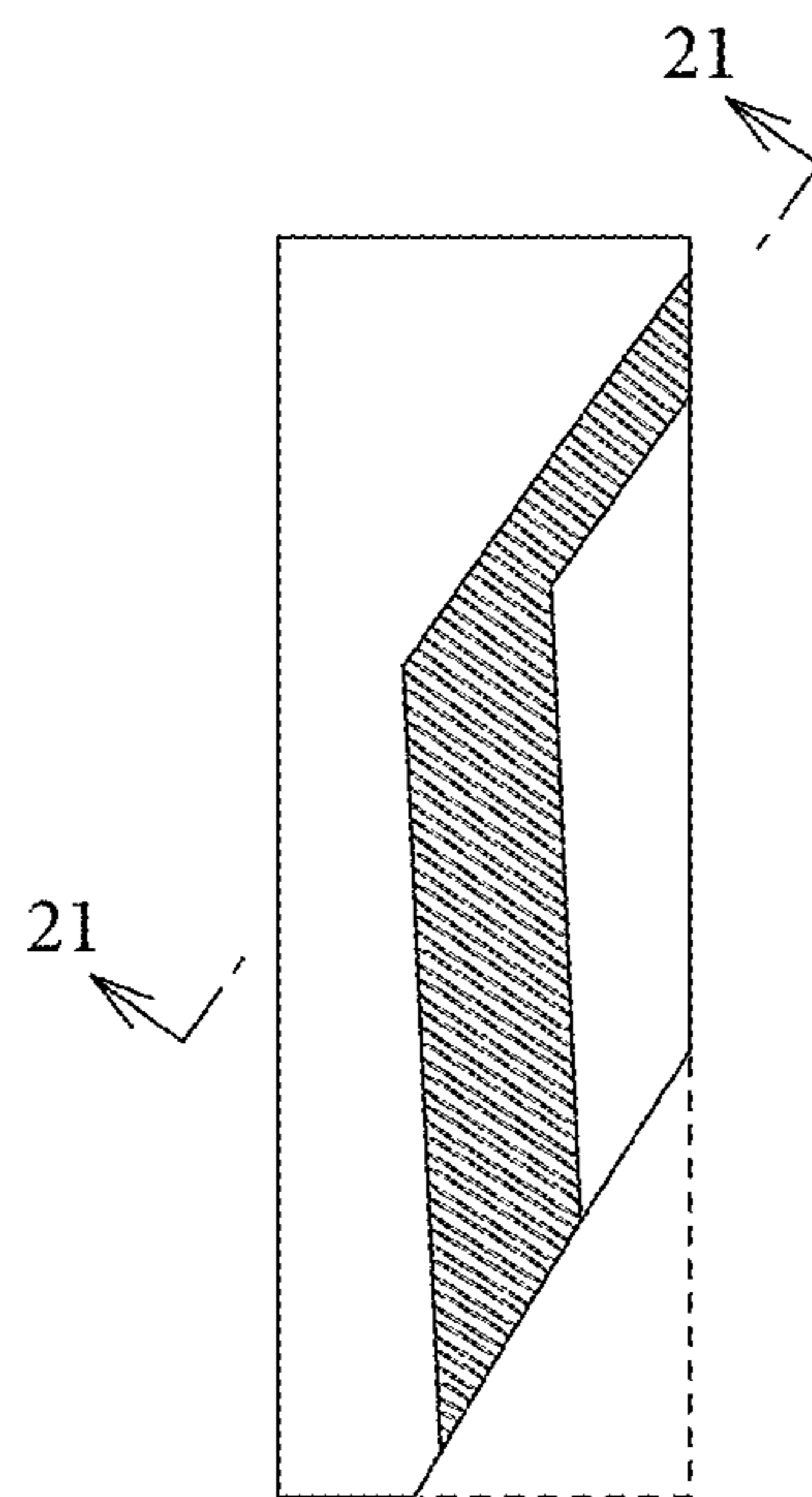


FIG. 12

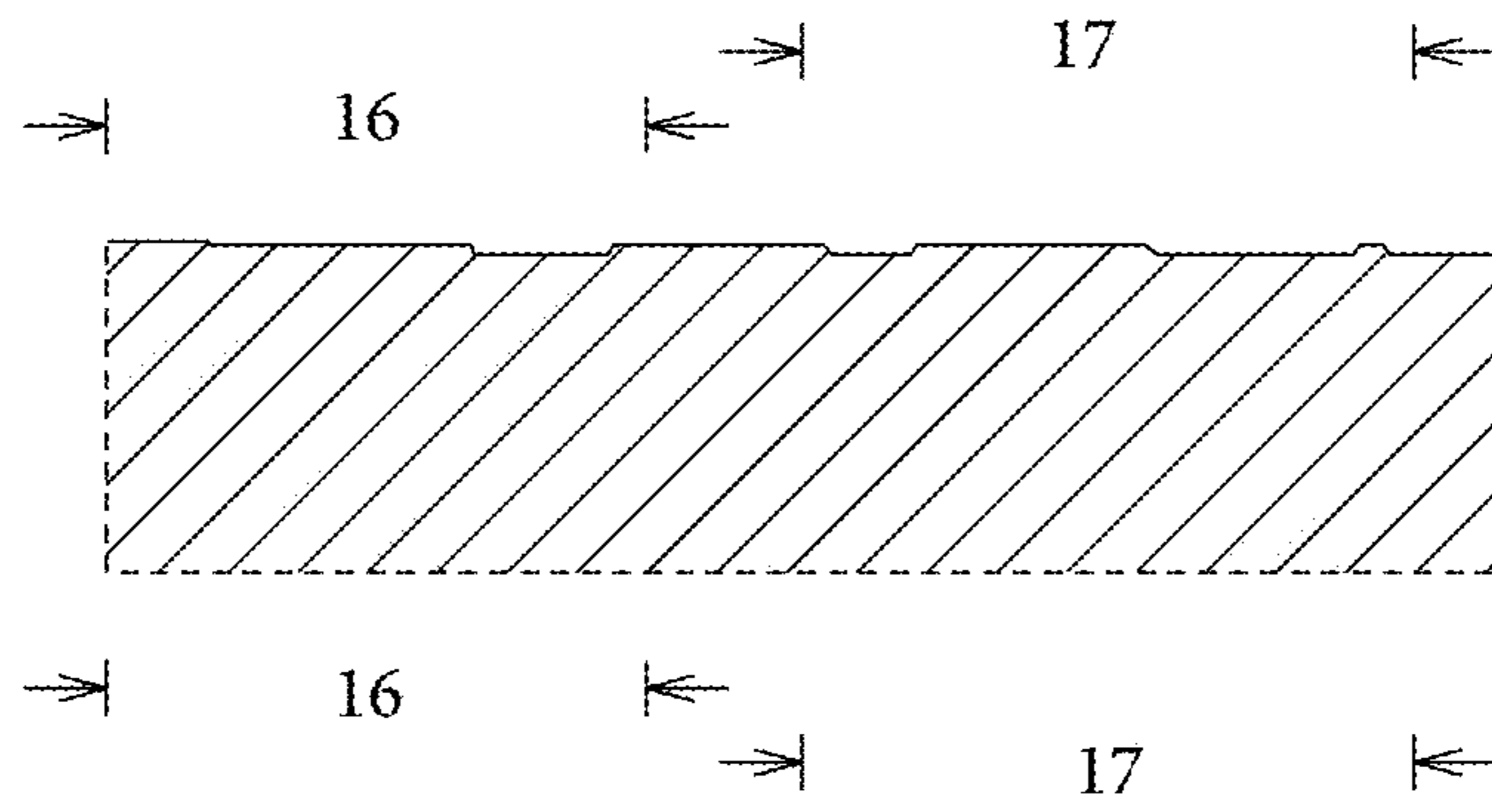


FIG. 13

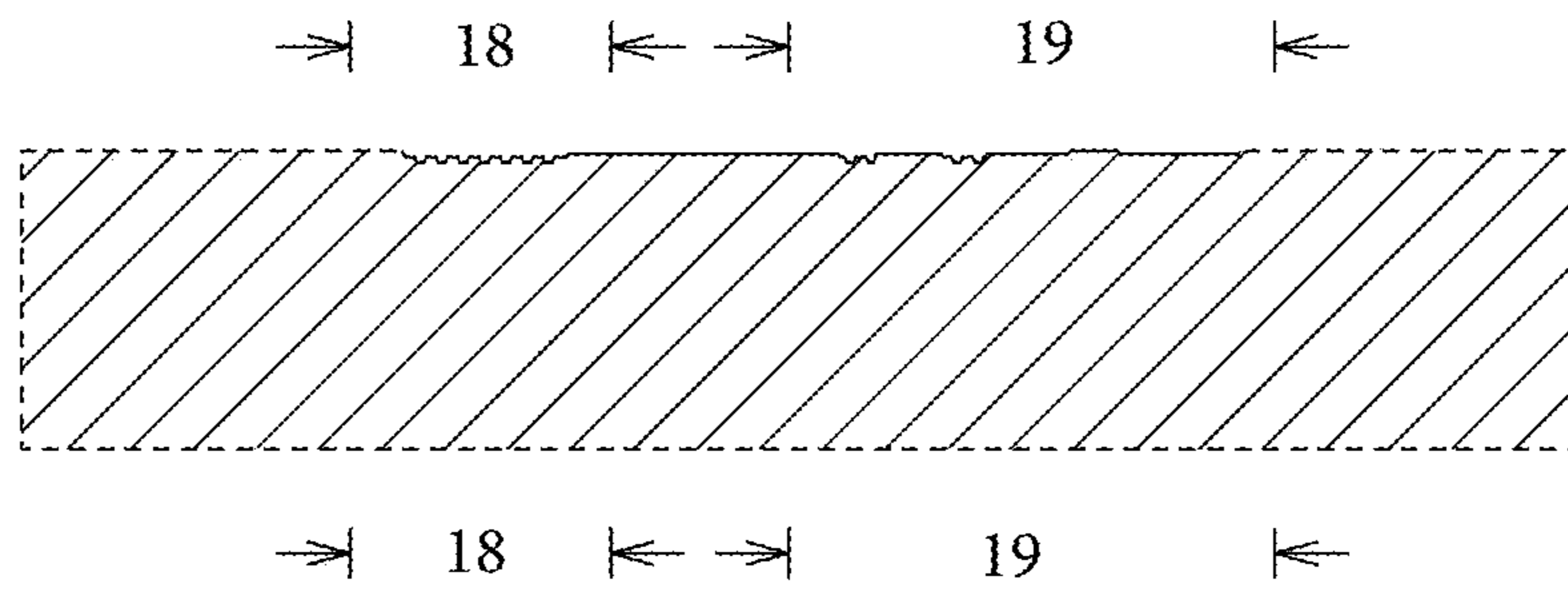


FIG. 14

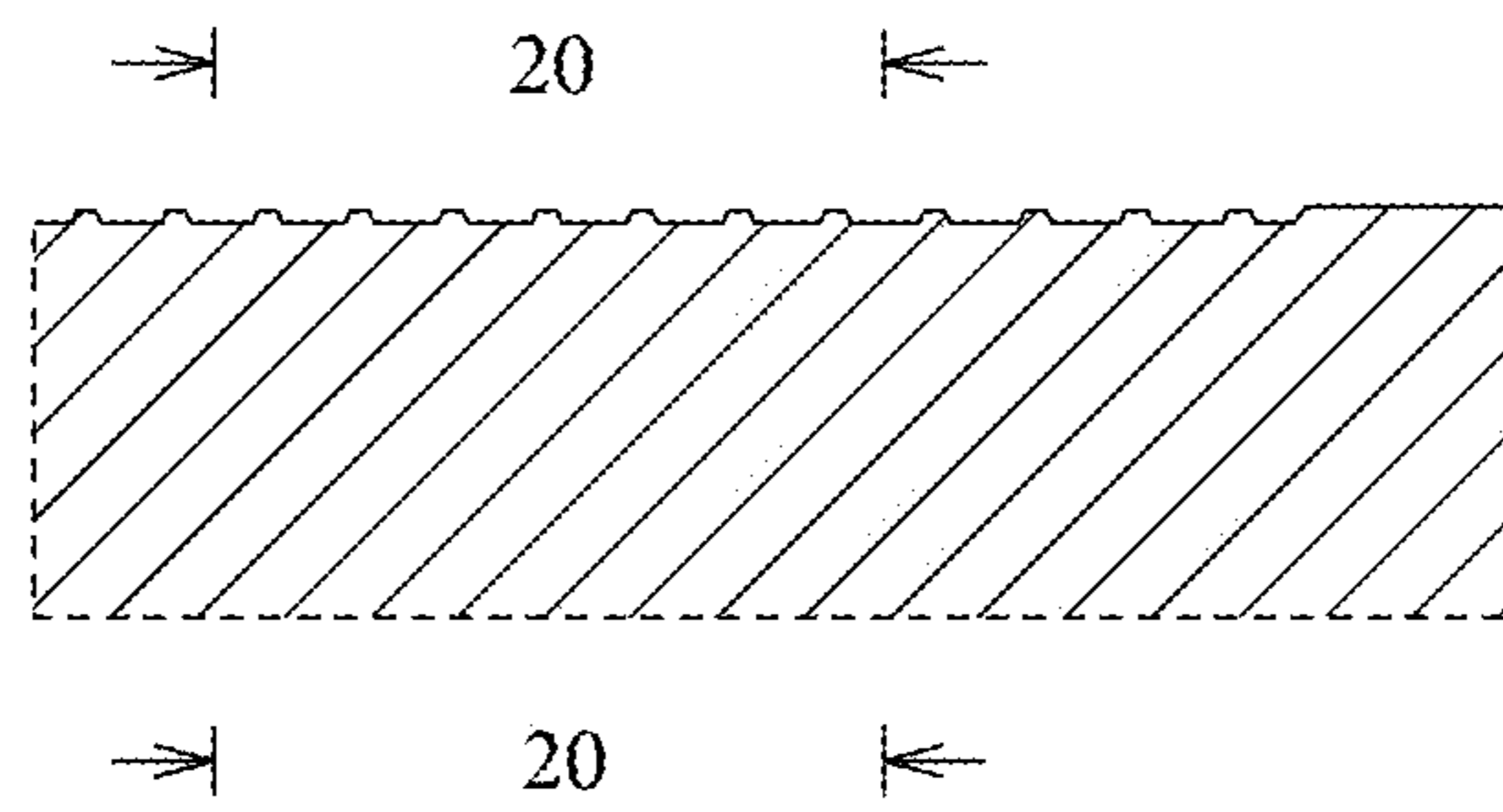


FIG. 15

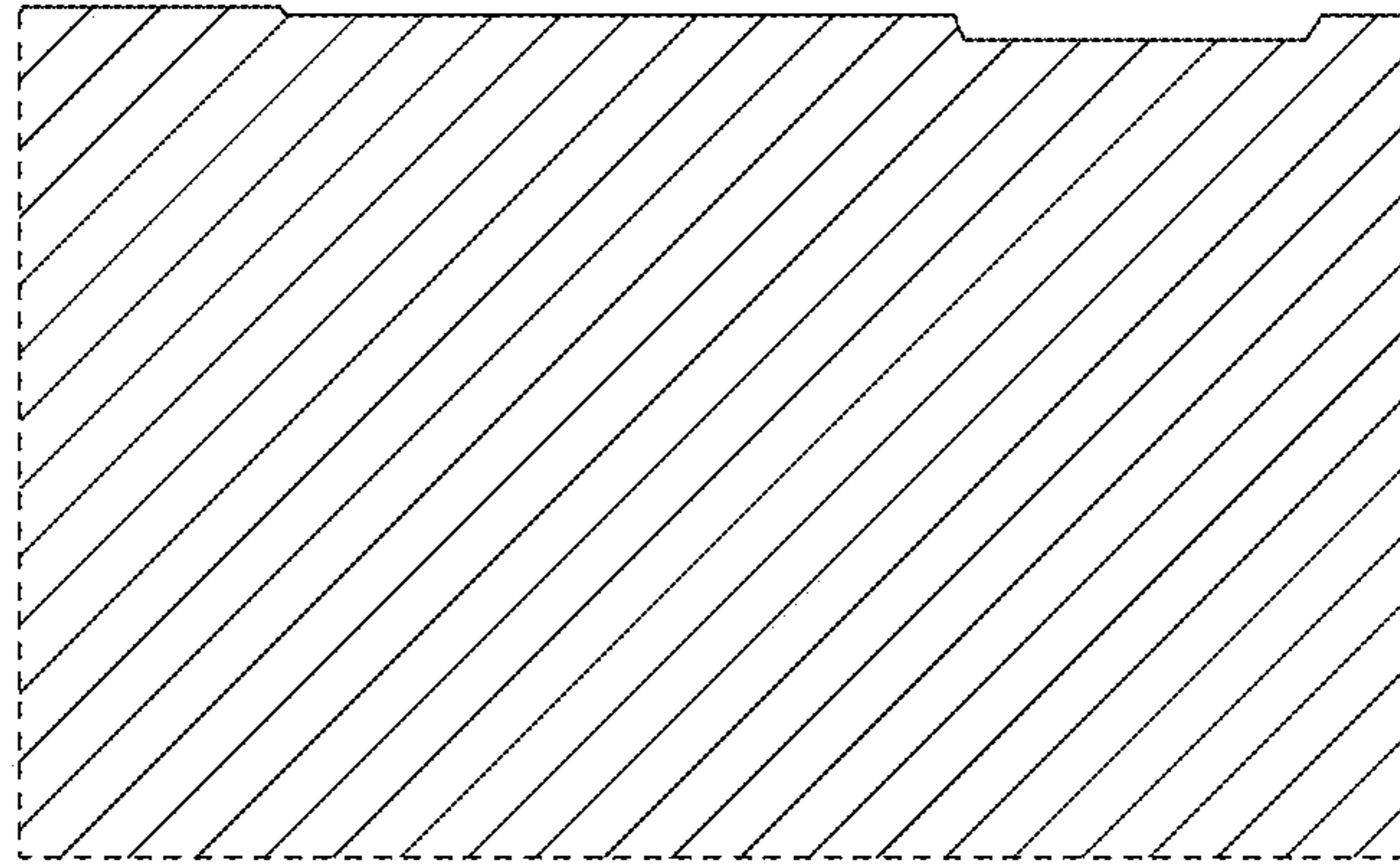


FIG. 16

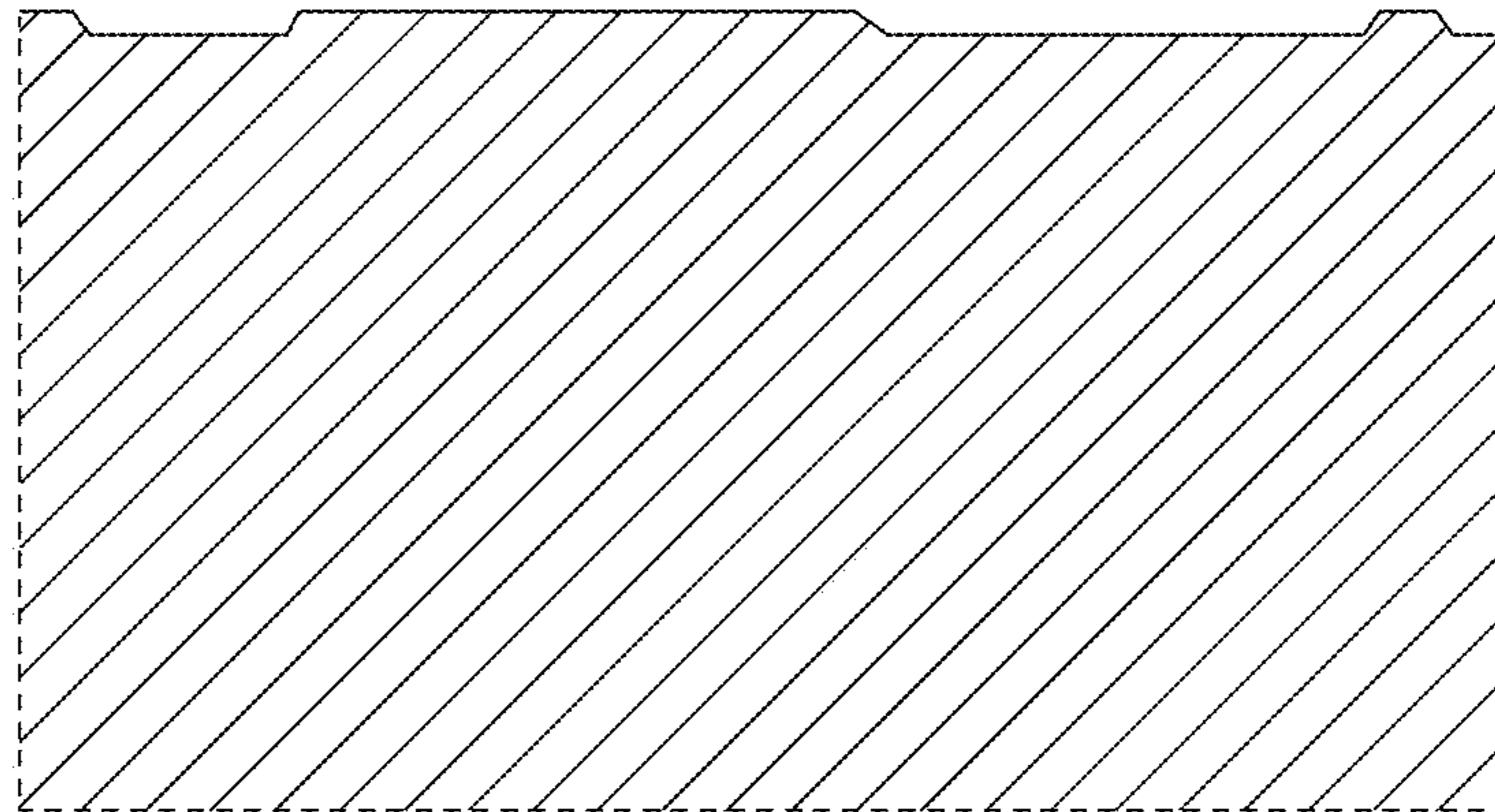


FIG. 17

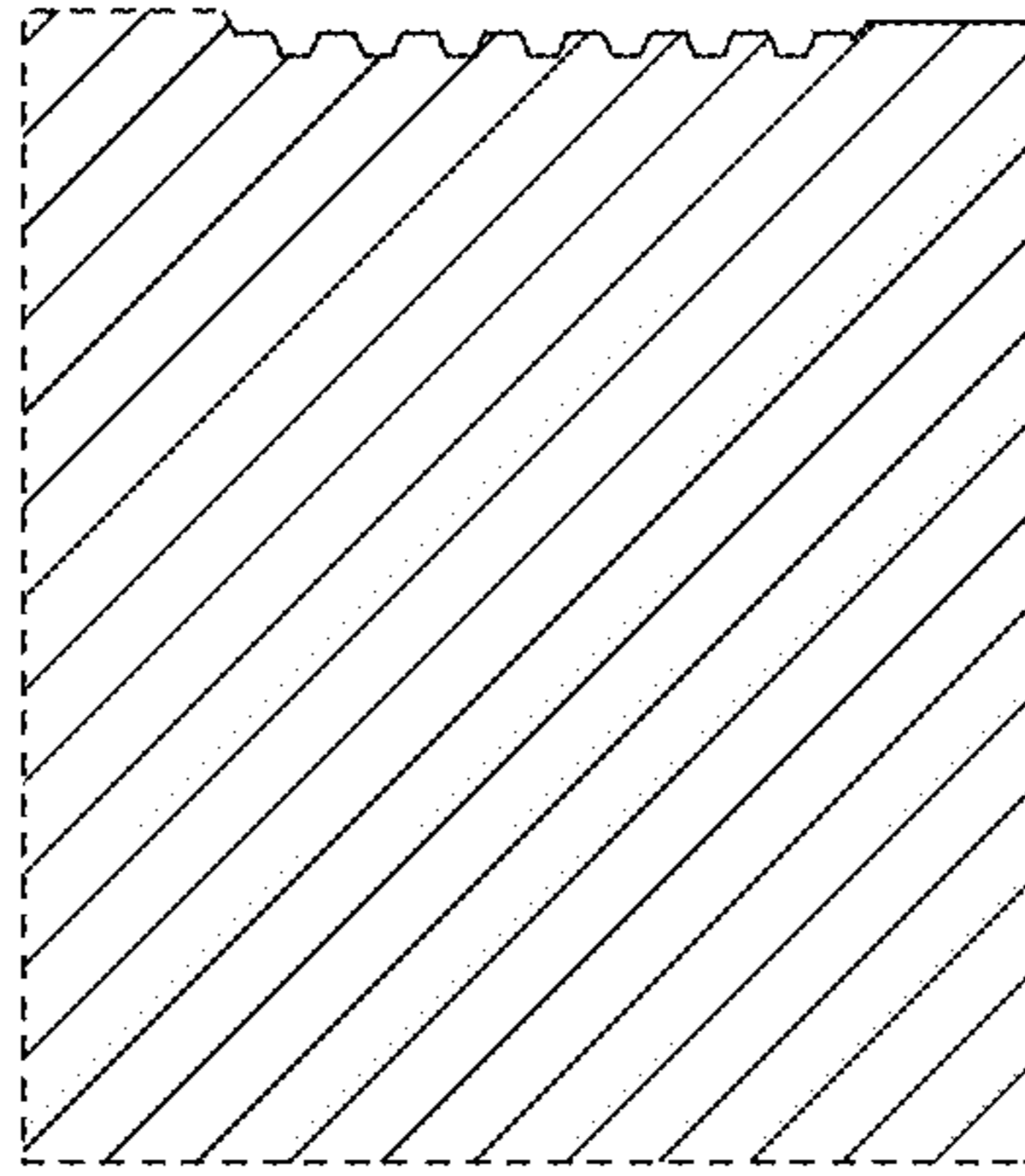


FIG. 18

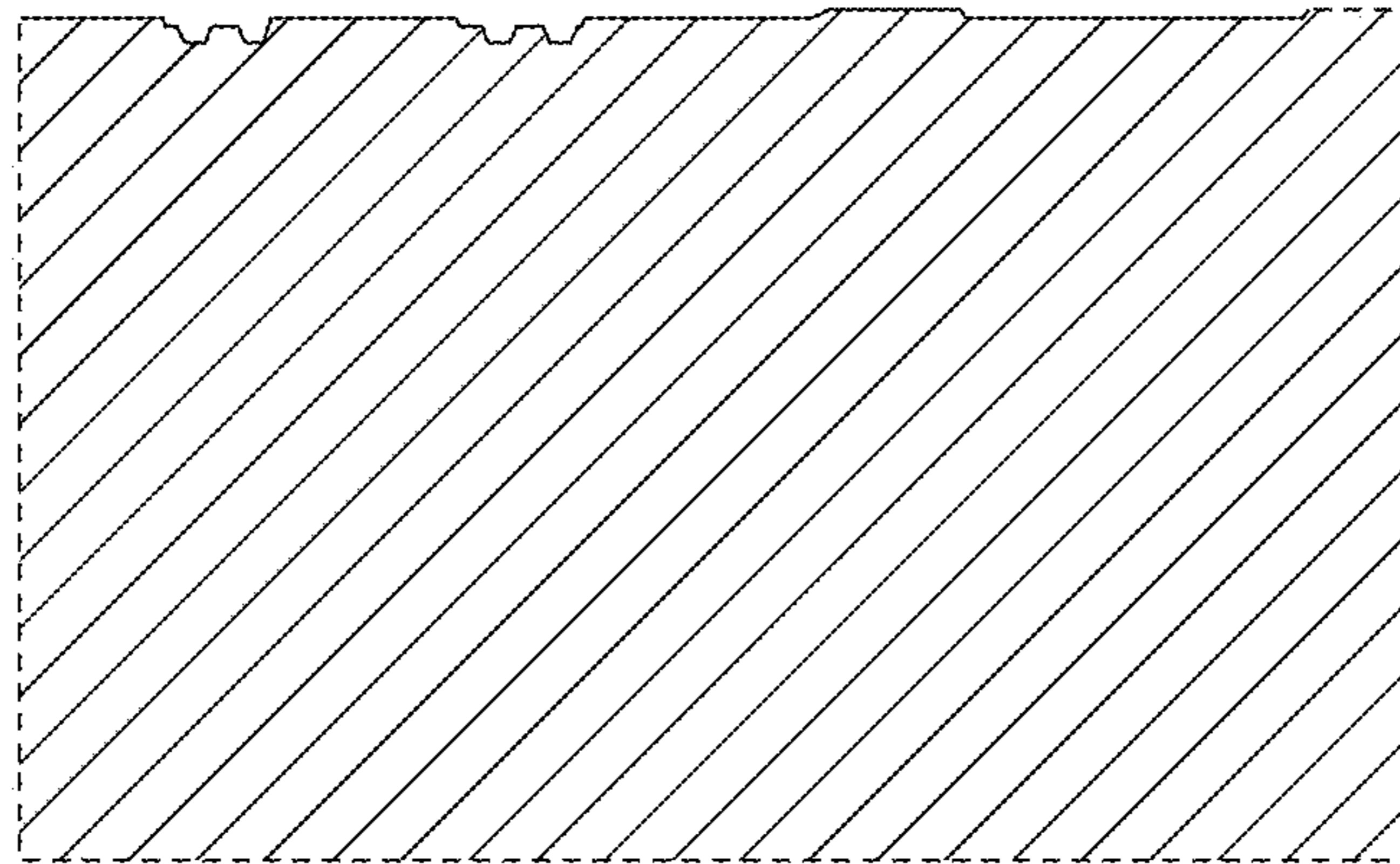


FIG. 19

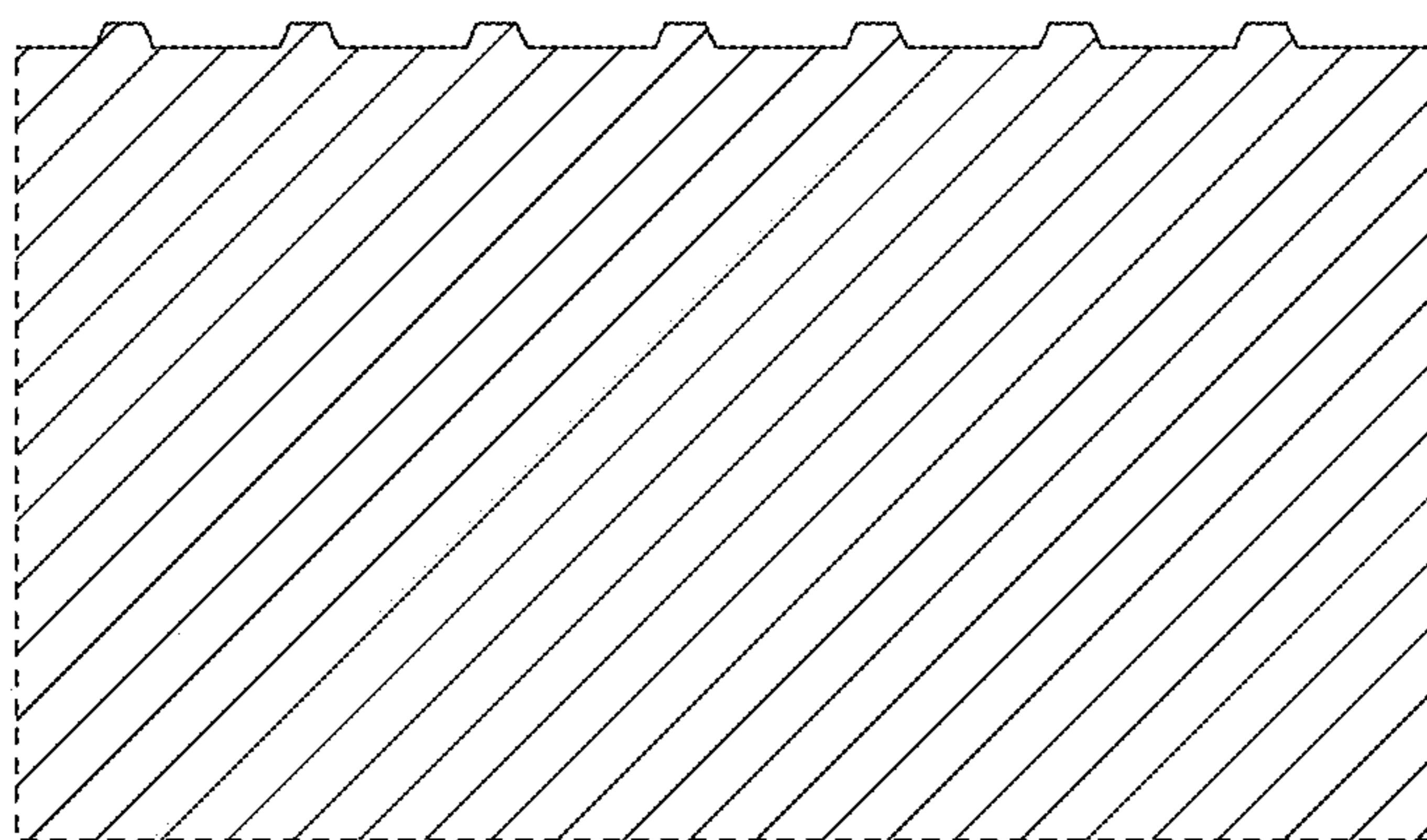


FIG. 20

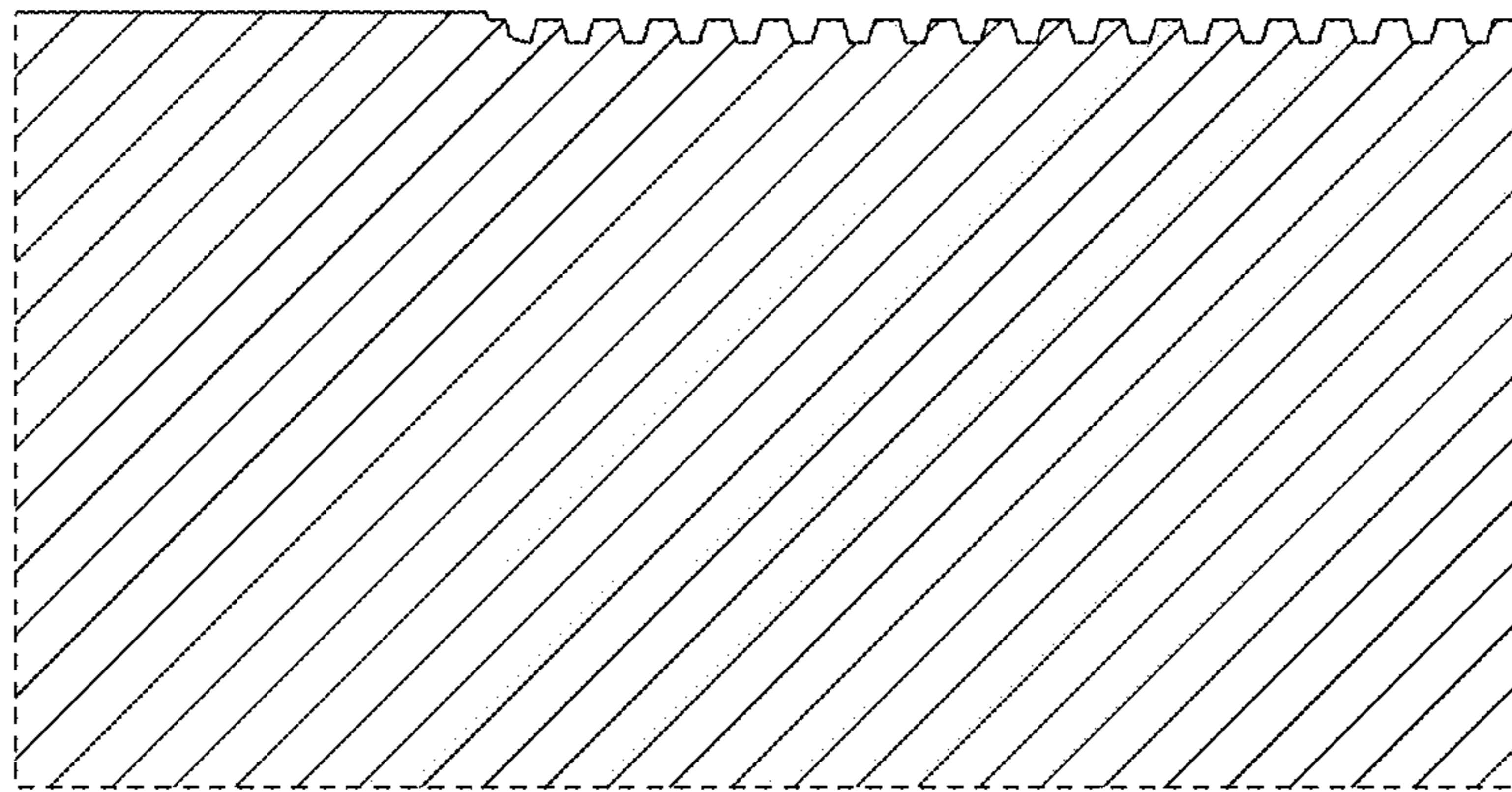


FIG. 21

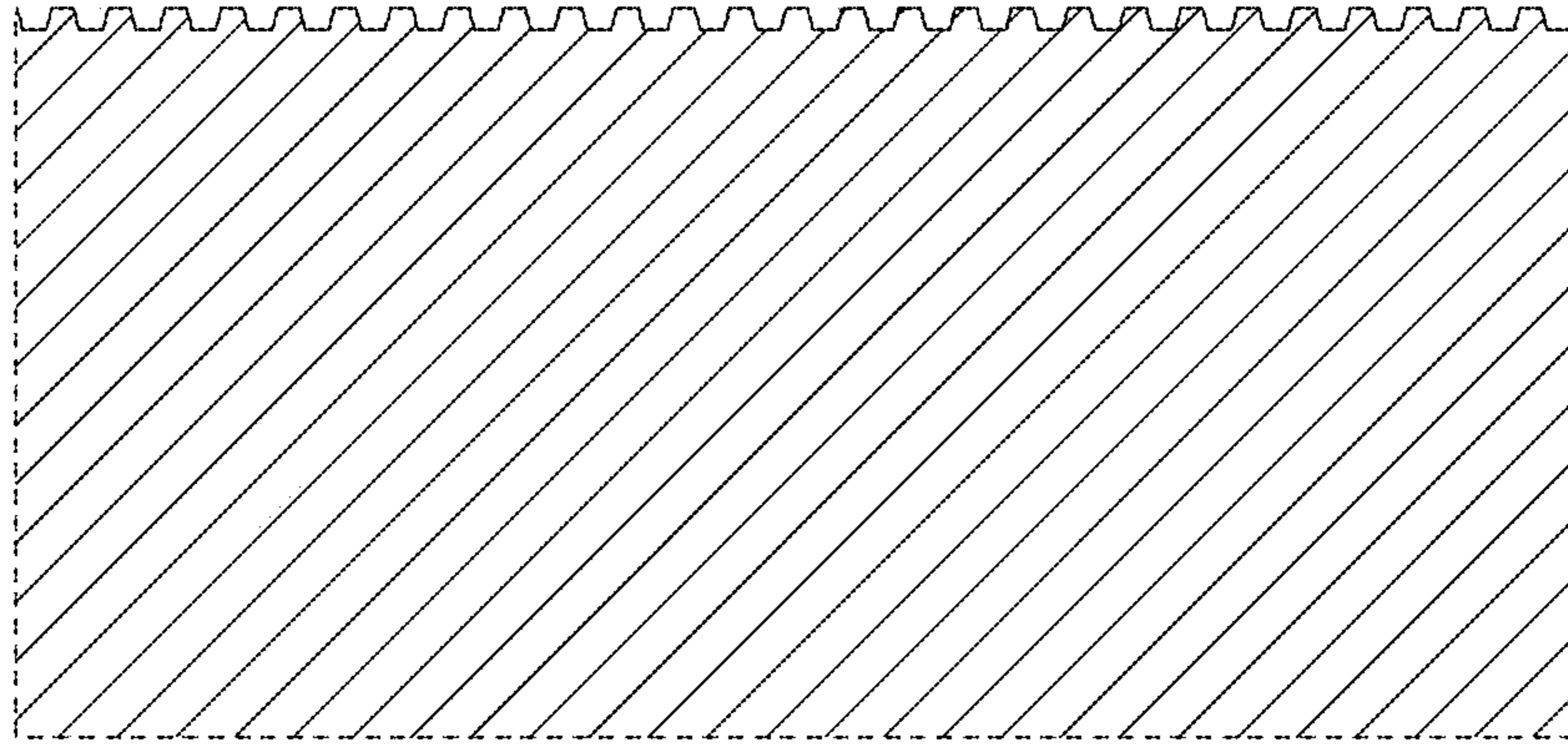


FIG. 22