



US00D917376S

(12) **United States Design Patent** (10) **Patent No.:** **US D917,376 S**  
**Lee et al.** (45) **Date of Patent:** **\*\* Apr. 27, 2021**

(54) **ARMREST FOR AUTONOMOUS VEHICLE**

(56) **References Cited**

(71) Applicant: **LG ELECTRONICS INC.**, Seoul (KR)

U.S. PATENT DOCUMENTS

(72) Inventors: **Younghwan Lee**, Seoul (KR); **Hyunjin Yoon**, Seoul (KR)

D274,138 S \* 6/1984 Grussner ..... D12/421  
D296,094 S \* 6/1988 Sheek ..... D12/421  
D376,345 S \* 12/1996 Hough ..... D12/421  
D476,945 S \* 7/2003 Burch ..... D12/421  
D521,281 S \* 5/2006 Luebke ..... D6/356

(73) Assignee: **LG Electronics Inc.**, Seoul (KR)

(Continued)

(\*\*) Term: **15 Years**

*Primary Examiner* — Darlington Ly

(21) Appl. No.: **35/507,946**

(74) *Attorney, Agent, or Firm* — Birch, Stewart, Kolasch & Birch, LLP

(22) Filed: **May 21, 2019**

(57) **CLAIM**

The ornamental design for an armrest for autonomous vehicle, as shown and described.

(80) **Hague Agreement Data**

**DESCRIPTION**

Int. Filing Date: **May 21, 2019**

**1.1** is a top, rear and left side perspective view of an armrest for autonomous vehicle embodying our new design;

Int. Reg. No.: **DM/204165**

**1.2** is a top, rear and right side perspective view thereof;

Int. Reg. Date: **May 21, 2019**

**1.3** is a front elevation view thereof;

Int. Reg. Pub. Date: **Nov. 29, 2019**

**1.4** is a rear elevation view thereof;

(30) **Foreign Application Priority Data**

Dec. 10, 2018 (KR) ..... 30-2018-0058071

**1.5** is a left side elevation view thereof;

(51) **LOC (13) Cl.** ..... **12-16**

**1.6** is a right side elevation view thereof;

(52) **U.S. Cl.**

**1.7** is a top plan view thereof;

USPC ..... **D12/421**; D6/716.2

**1.8** is a bottom plan view thereof; and

(58) **Field of Classification Search**

USPC ..... D6/328, 334, 354, 355, 364, 366, 601,

**1.9** is a top, front, and left side perspective view thereof as installed in an exemplary interior of an autonomous vehicle.

D6/655, 702, 708, 708.16, 708.17,

The even dashed-dashed broken line showing of portions of an autonomous vehicle are provided for the purpose of illustrating environmental structure and forms no part of the claimed design.

D6/708.18, 708.23, 708.24, 708.25, 712,

All other broken lines in the reproductions, including the dash-dot-dash phantom lines and rectangular box in **1.9**, are symbolic cutaway representations to indicate that environmental structures extend beyond the article.

D6/716.1, 716.2, 716.3, 716.4, 716.5,

These broken line showing for symbolic cutaway representations do not form part of the claimed design.

D6/716.6, 716.7; D21/662, 694, 695;

D12/415, 416, 419, 421

CPC .. A47C 1/03; A47C 4/02; A47C 31/00; B64D

11/06; B62J 1/18; B60N 2/01; B60N

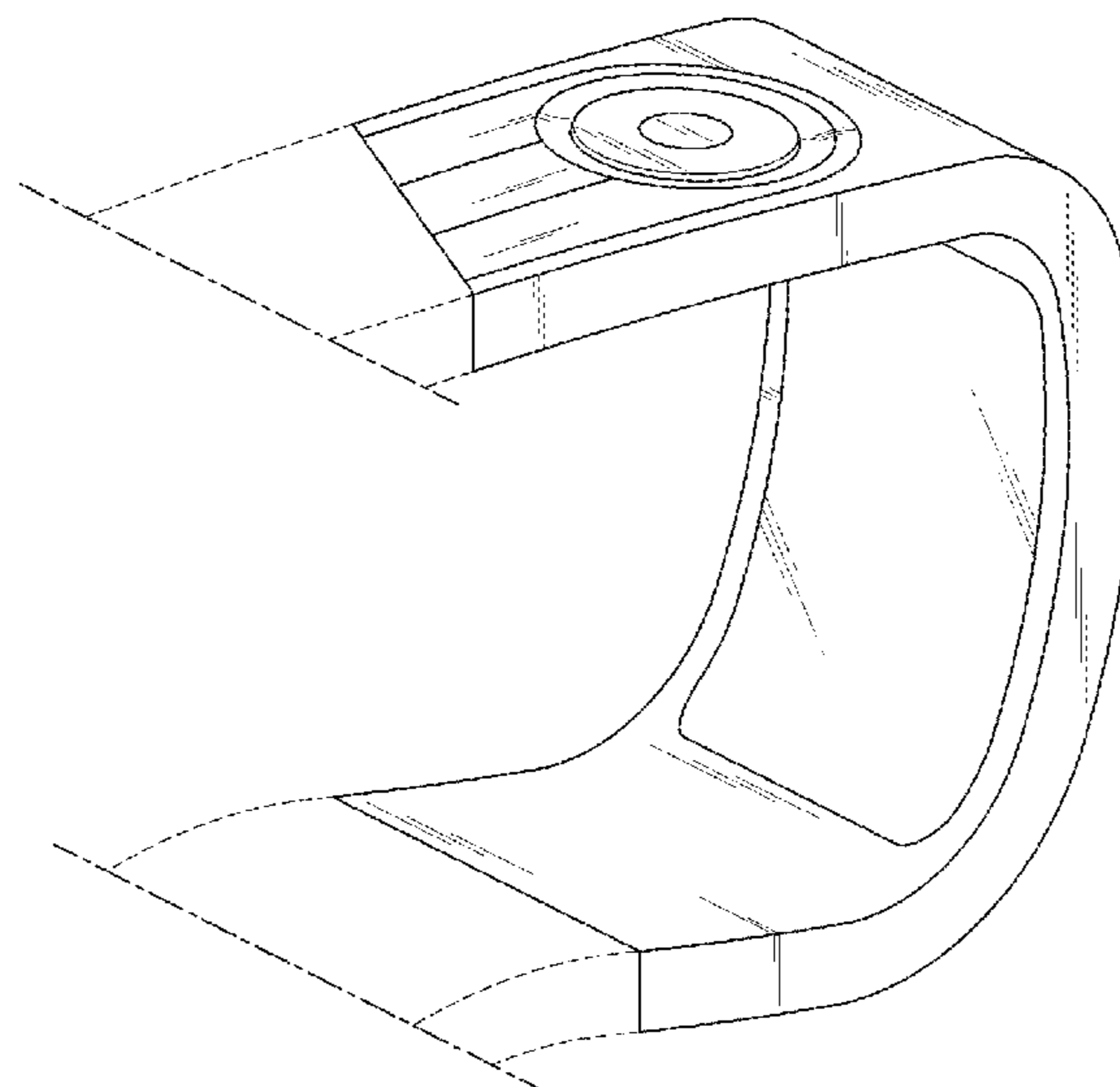
2/4235; B60N 2/78; H01R 13/60; B60R

21/04; B60R 21/0428; B60R 13/0243;

B33Y 10/00; B33Y 50/02; B33Y 80/00

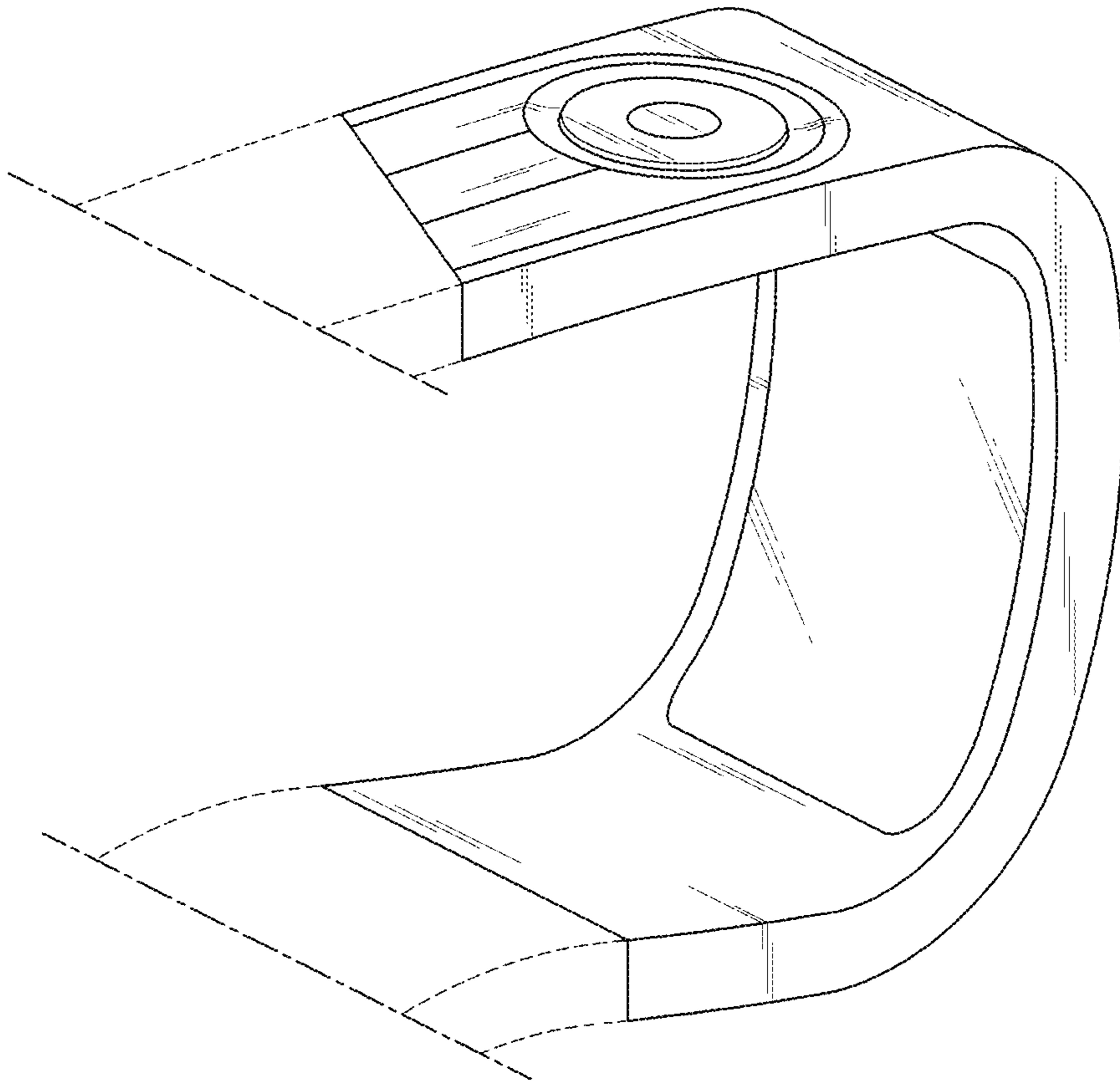
See application file for complete search history.

**1 Claim, 9 Drawing Sheets**

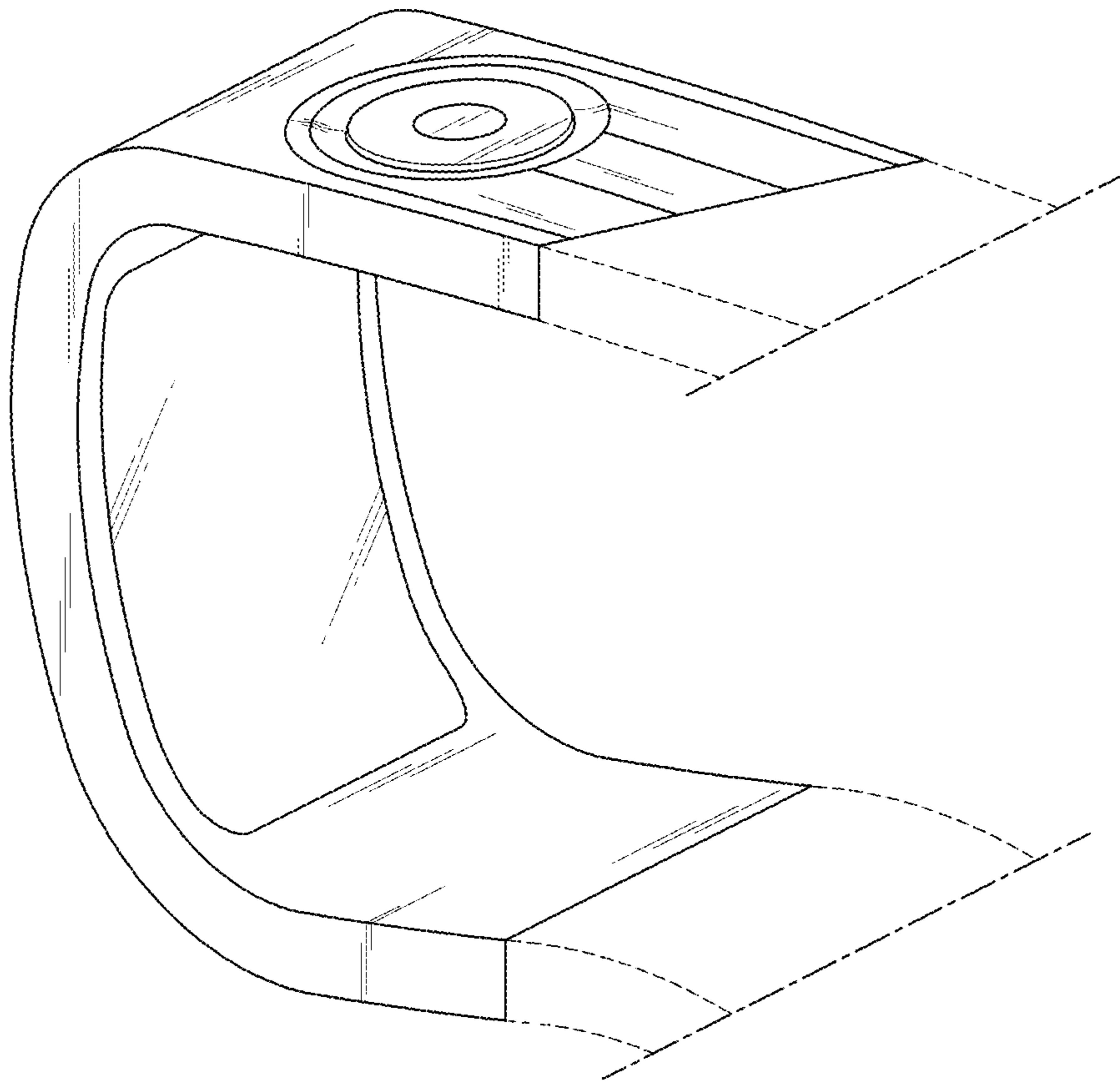




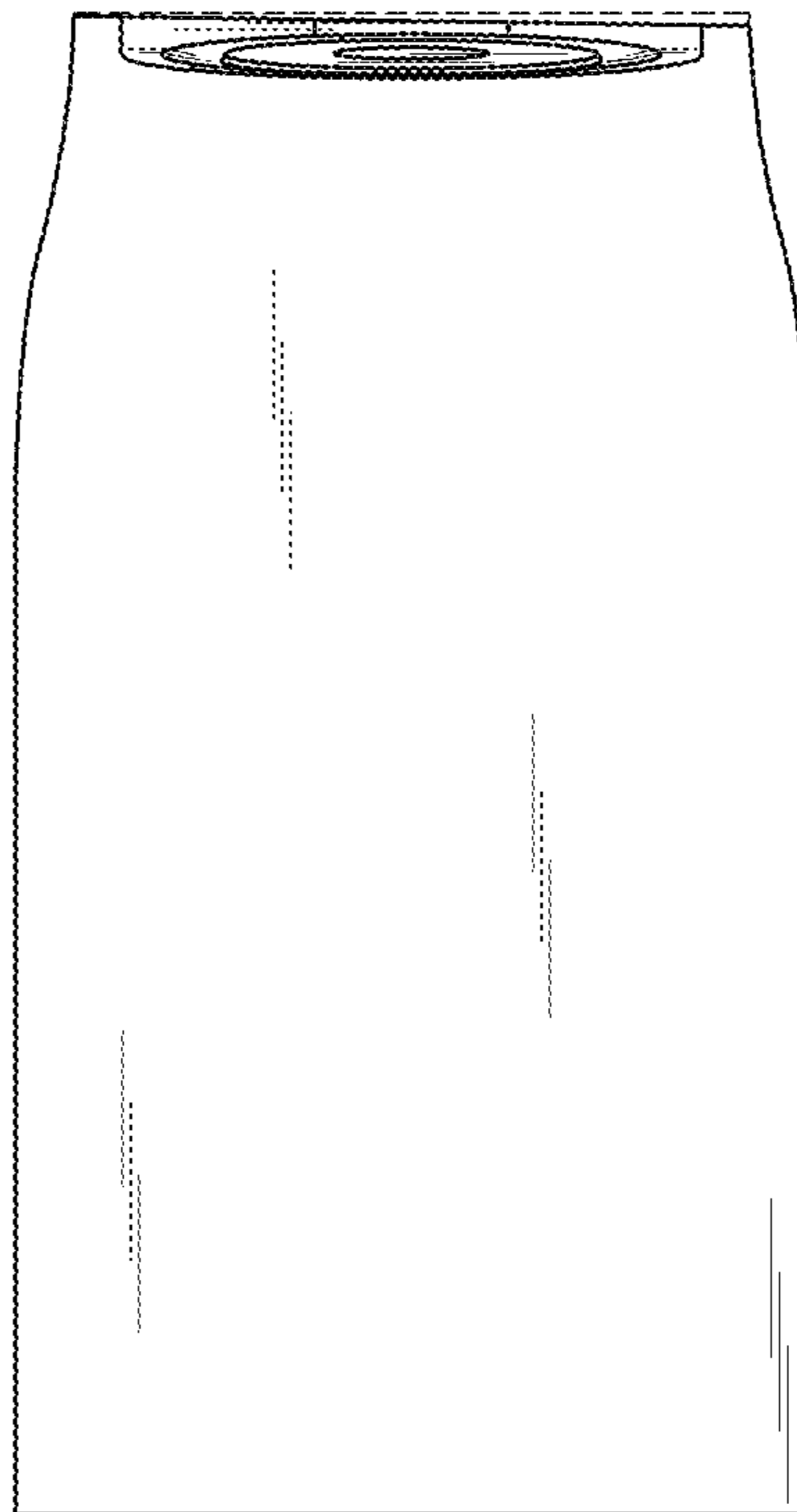
1.1



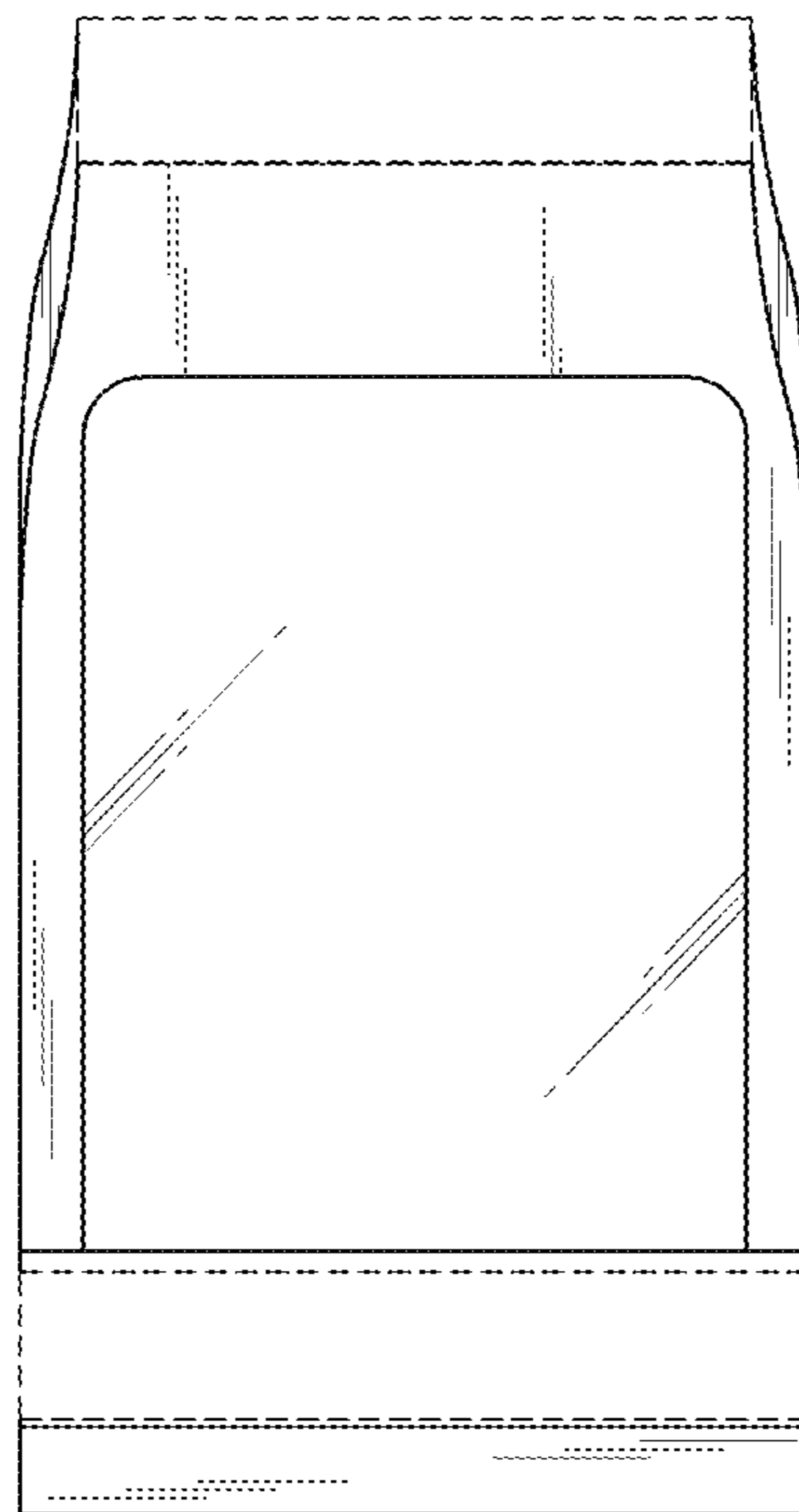
1.2



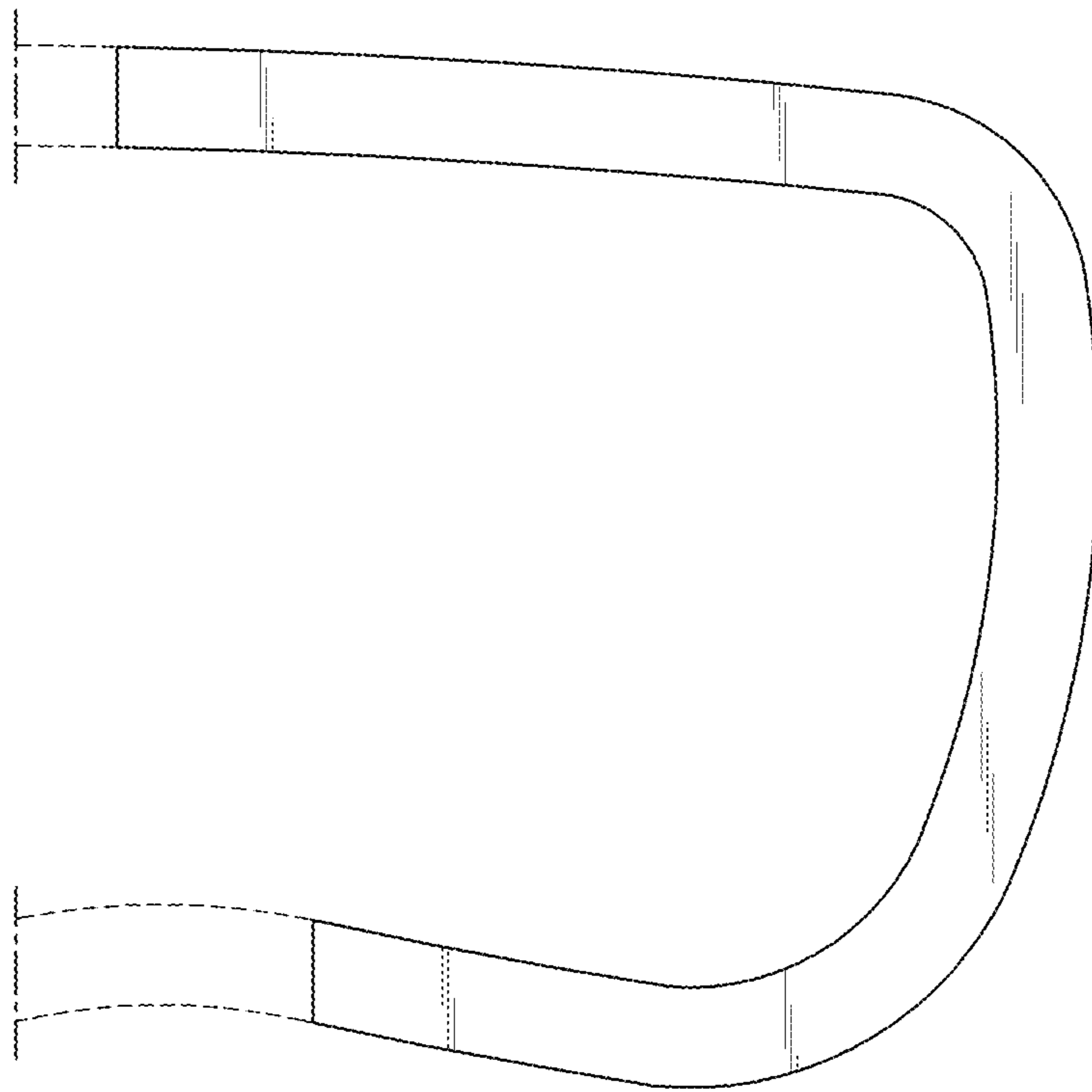
1.3



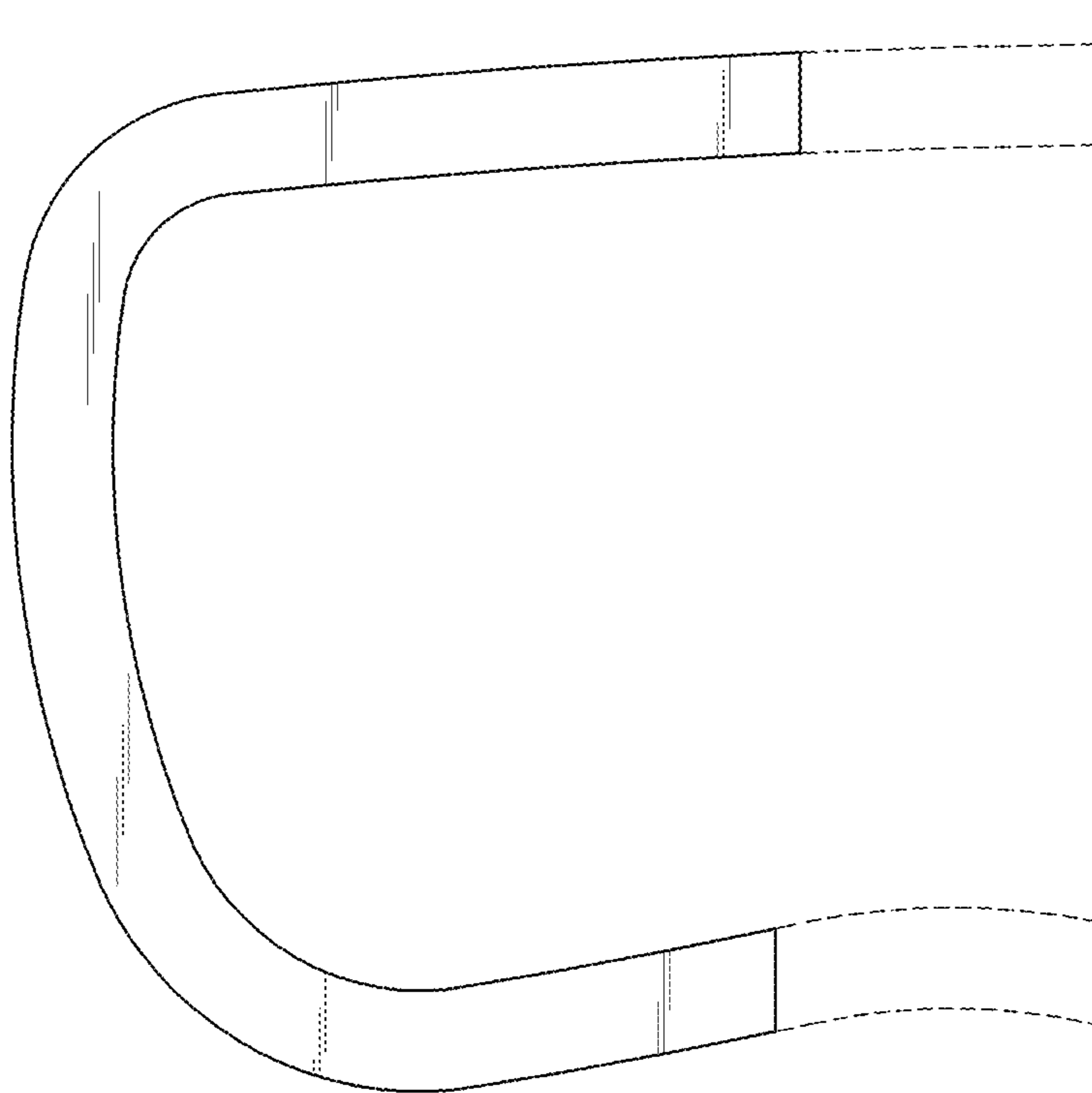
1.4



1.5

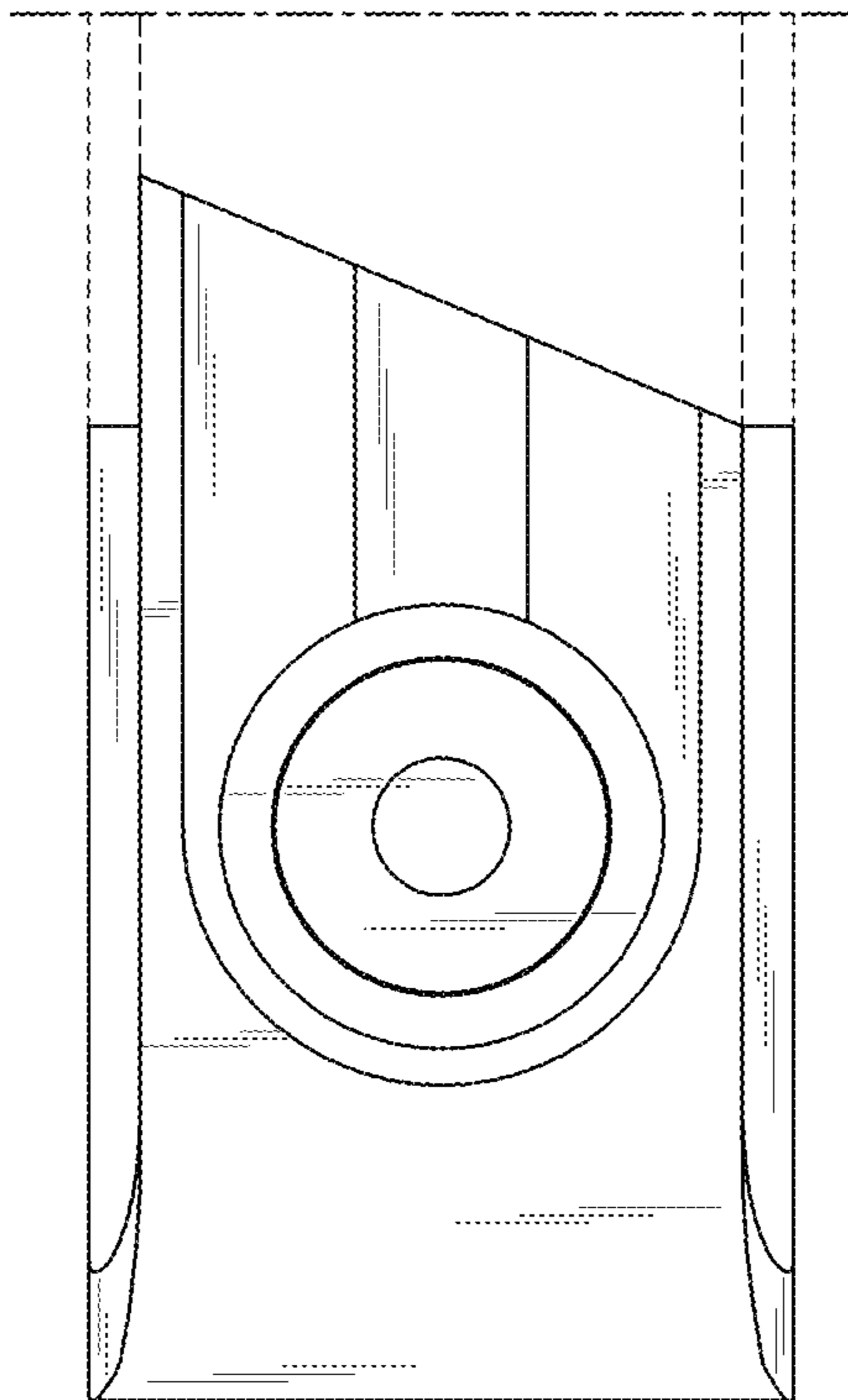


1.6

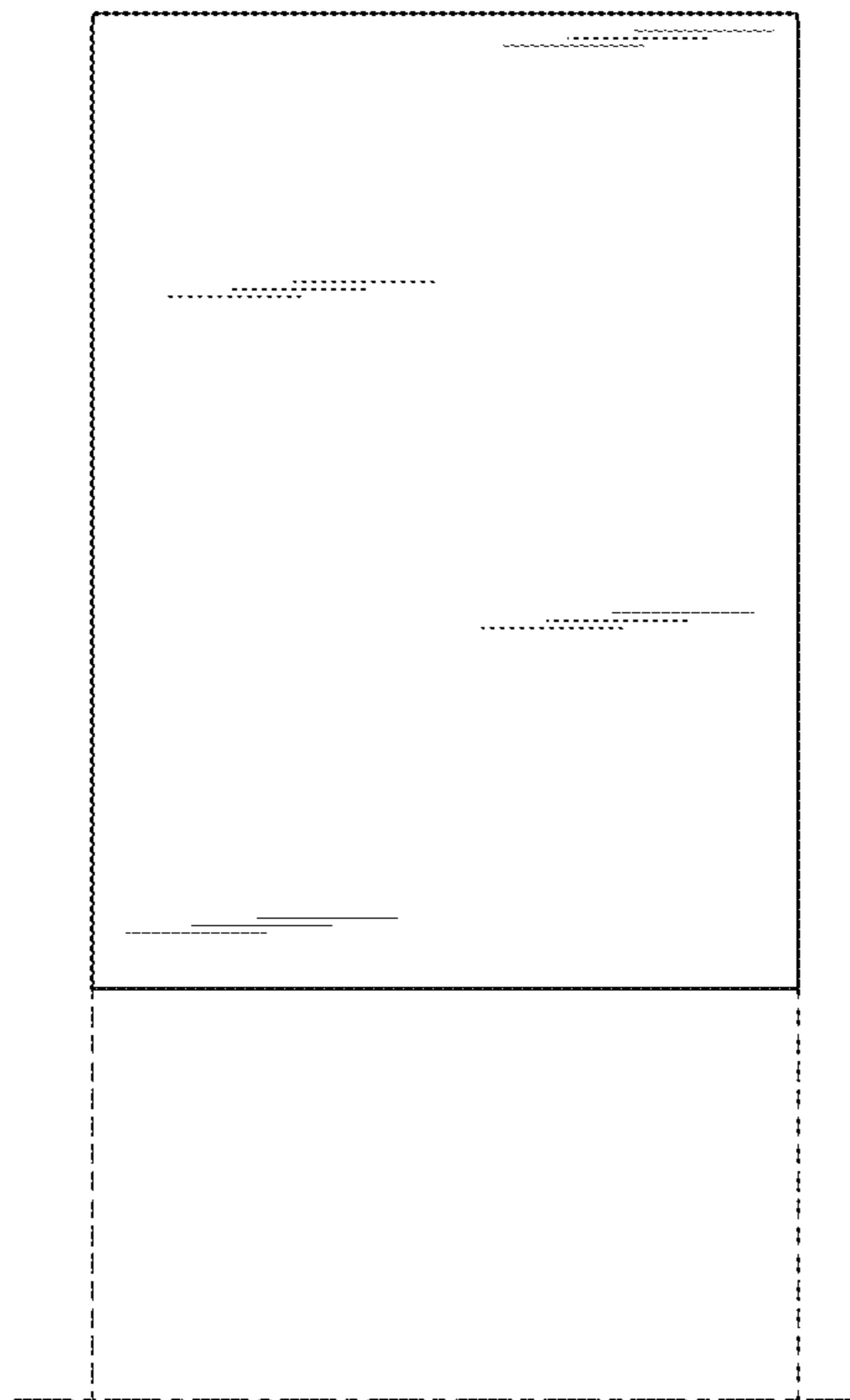




1.7



1.8



1.9

