



US00D917375S

(12) **United States Design Patent**  
**Cavallo**

(10) **Patent No.:** **US D917,375 S**

(45) **Date of Patent:** **\*\* Apr. 27, 2021**

(54) **BEVERAGE JUG HOLDER**

(71) Applicant: **Scott Douglas Cavallo**, Healdsburg,  
CA (US)

(72) Inventor: **Scott Douglas Cavallo**, Healdsburg,  
CA (US)

(\*\*) Term: **15 Years**

(21) Appl. No.: **29/723,790**

(22) Filed: **May 12, 2020**

9,120,402	B2 *	9/2015	Caruso	.....	B60N 3/105
10,343,576	B1 *	7/2019	Ortega Rojo	.....	B60N 3/102
D877,045	S *	3/2020	Johnson	.....	D12/419
D877,046	S *	3/2020	Park	.....	D12/419
2007/0247836	A1 *	10/2007	Seidl	.....	A47C 1/12
					362/154
2019/0152374	A1 *	5/2019	Lee	.....	B60N 3/106
2019/0263310	A1 *	8/2019	Yumura	.....	B60Q 3/225
2019/0357688	A1 *	11/2019	Dobson	.....	F16M 13/022
2020/0085219	A1 *	3/2020	Barczyk	.....	A47G 23/0208
2020/0324681	A1 *	10/2020	Rogers	.....	B60N 3/106

\* cited by examiner

*Primary Examiner* — Katrina A Betton

**Related U.S. Application Data**

(63) Continuation of application No. 15/470,070, filed on  
Mar. 27, 2017, now abandoned.

(51) **LOC (13) Cl.** ..... **12-16**

(52) **U.S. Cl.**  
USPC ..... **D12/419**

(58) **Field of Classification Search**  
USPC ..... D12/419, 415  
CPC ..... B60R 13/02; C03C 3/085; B60N 2/46;  
B60N 3/10; B60Q 3/64; B60Q 3/225  
See application file for complete search history.

(56) **References Cited**

**U.S. PATENT DOCUMENTS**

D373,935	S *	9/1996	Cole	.....	D7/620
D424,511	S *	5/2000	Surridge	.....	D12/419

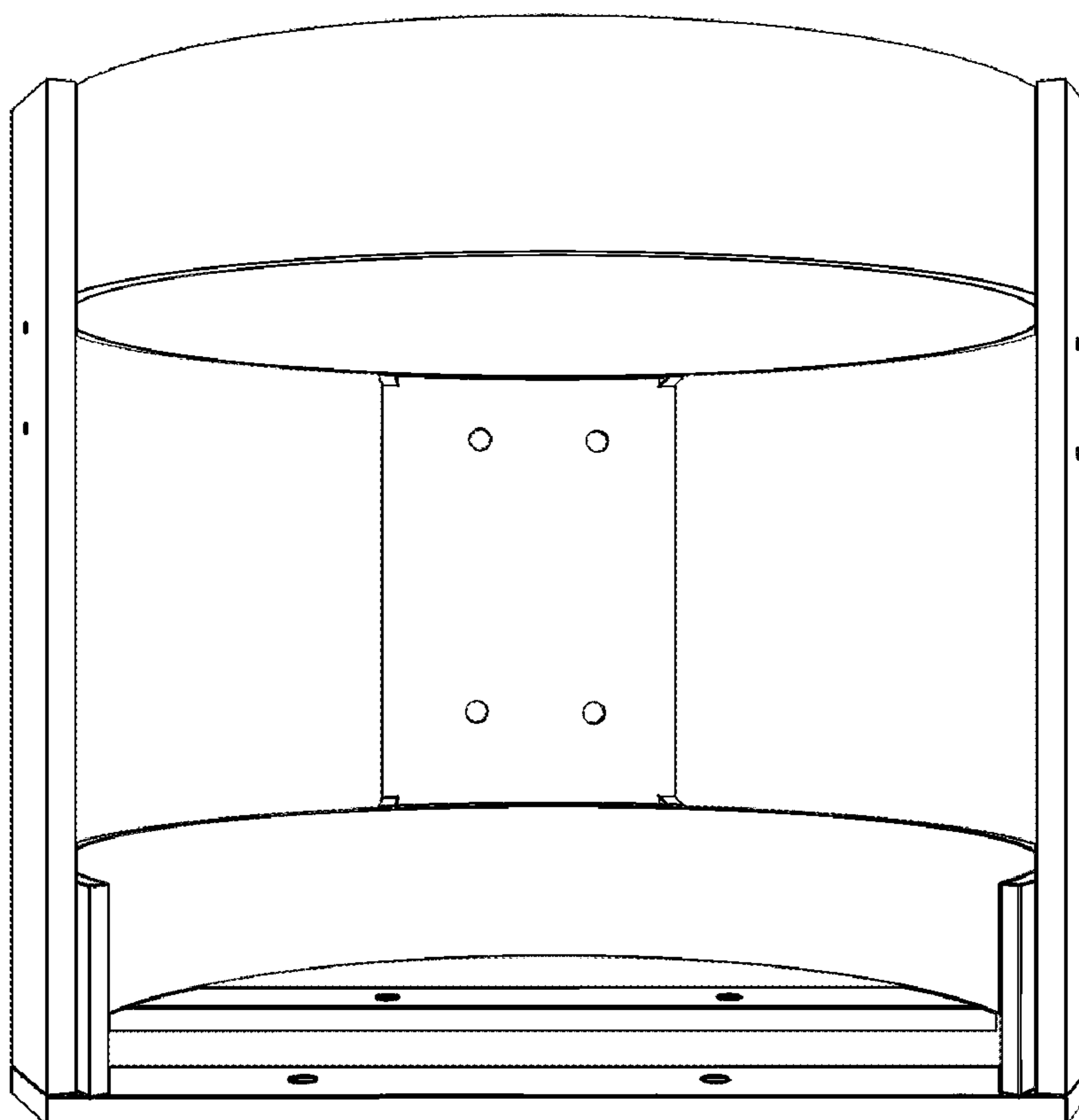
(57) **CLAIM**

The ornamental design for a beverage jug holder, as shown  
and described.

**DESCRIPTION**

FIG. 1: is a perspective view of a beverage jug holder,  
FIG. 2: is a front elevation view thereof;  
FIG. 3: is a rear elevation view thereof;  
FIG. 4: is a right side elevation view thereof;  
FIG. 5: is a left elevation view thereof;  
FIG. 6: is a top view thereof; and,  
FIG. 7: is a bottom view thereof.

**1 Claim, 7 Drawing Sheets**



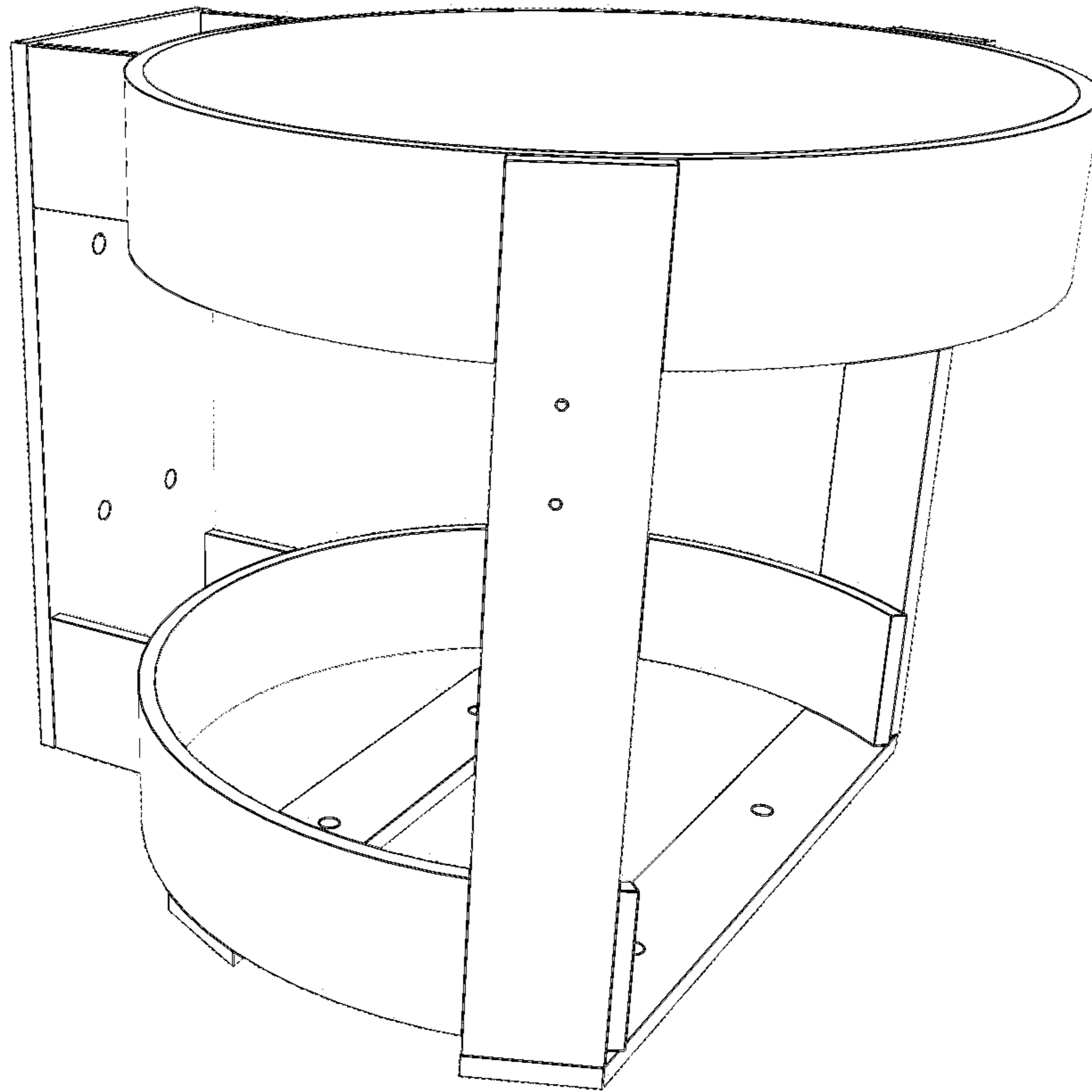


FIG. 1

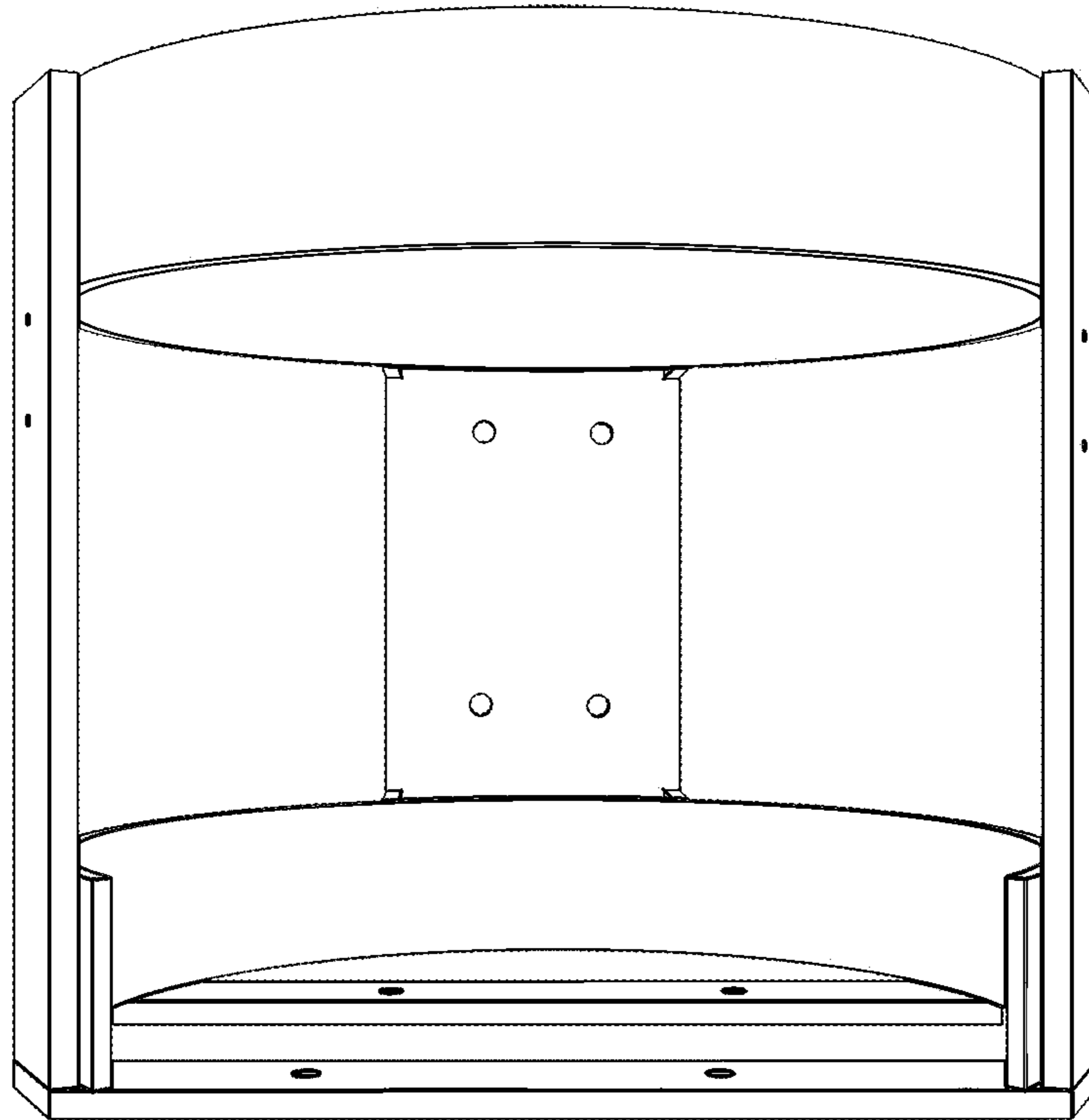


FIG. 2

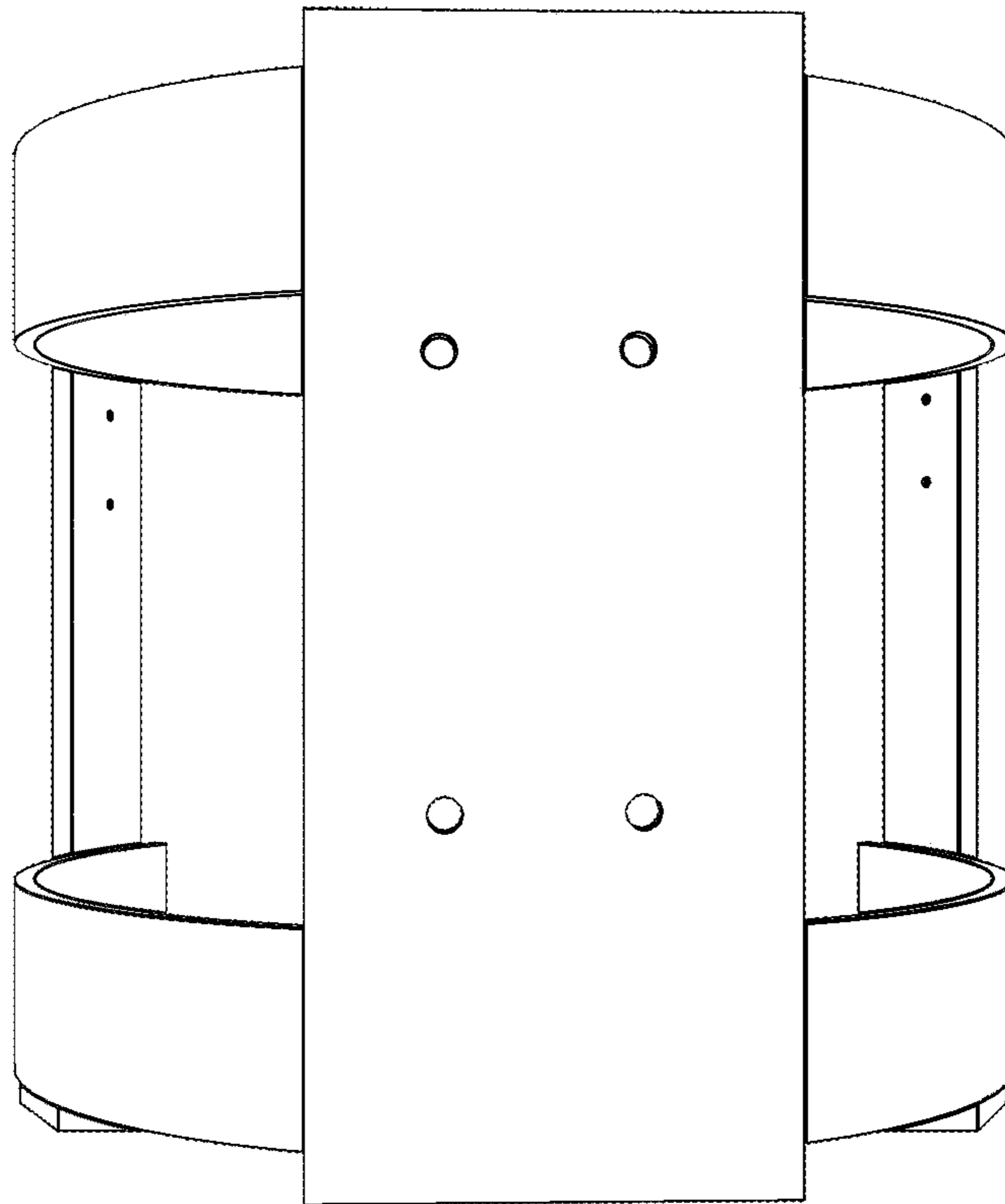


FIG. 3

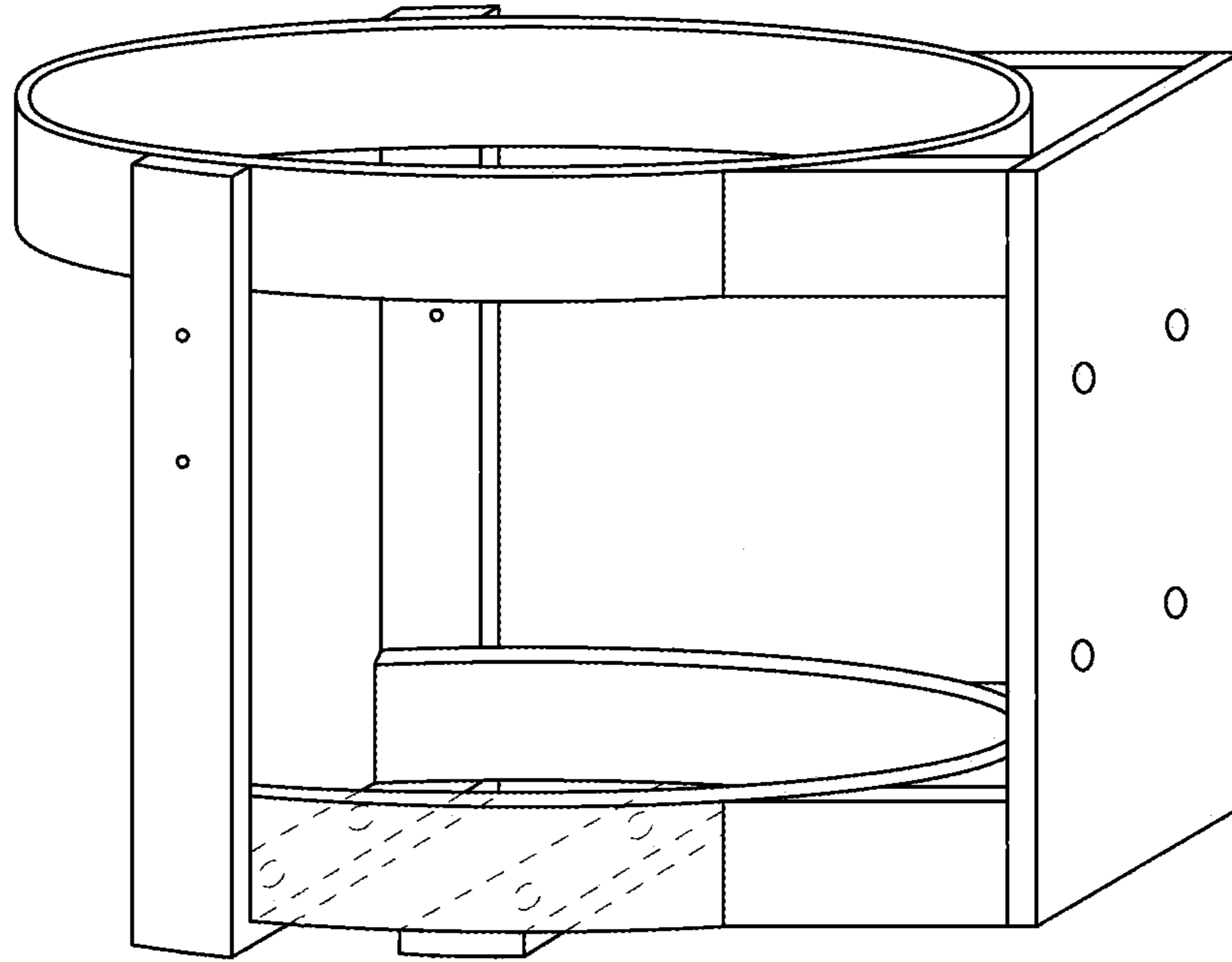


FIG. 4

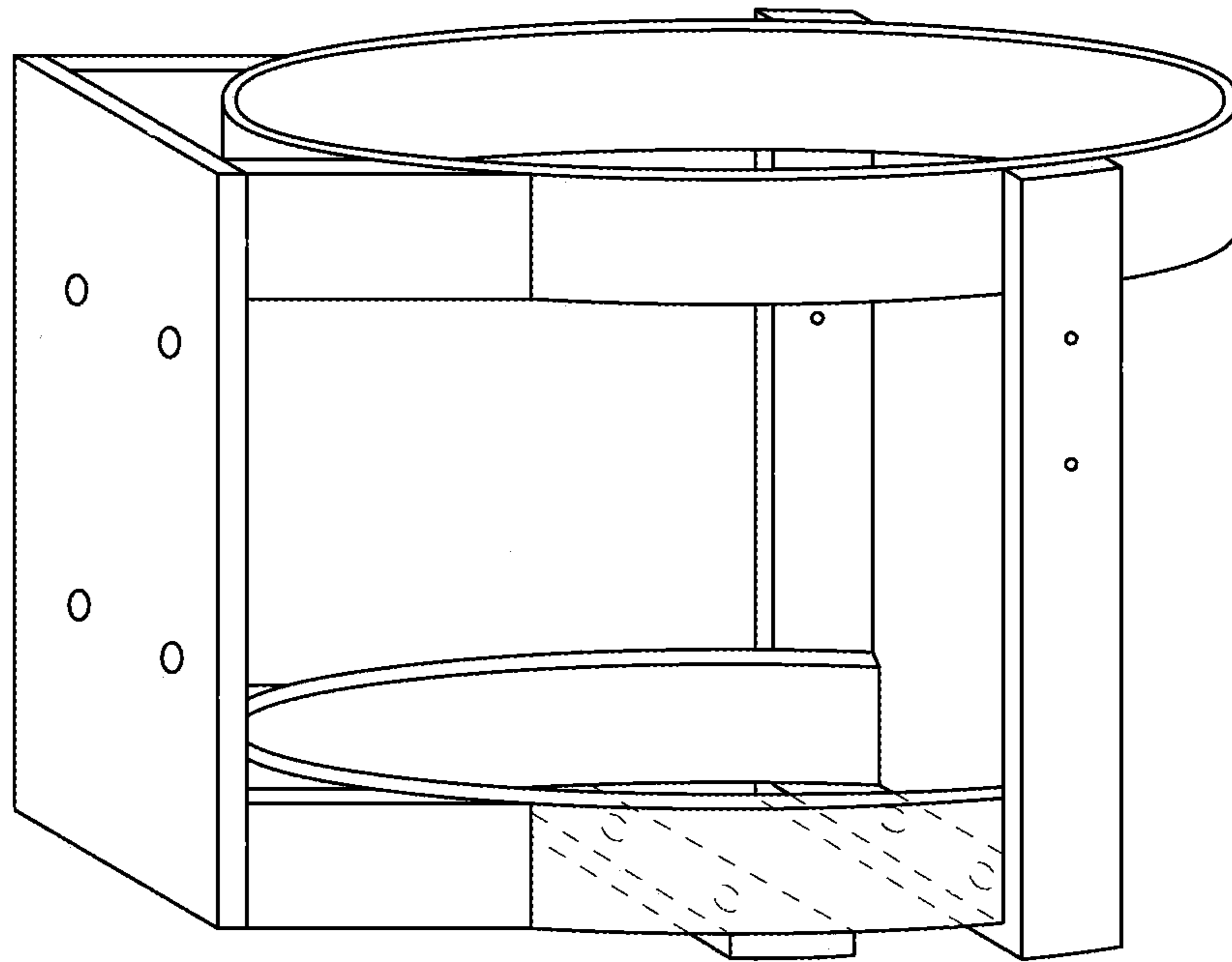


FIG. 5

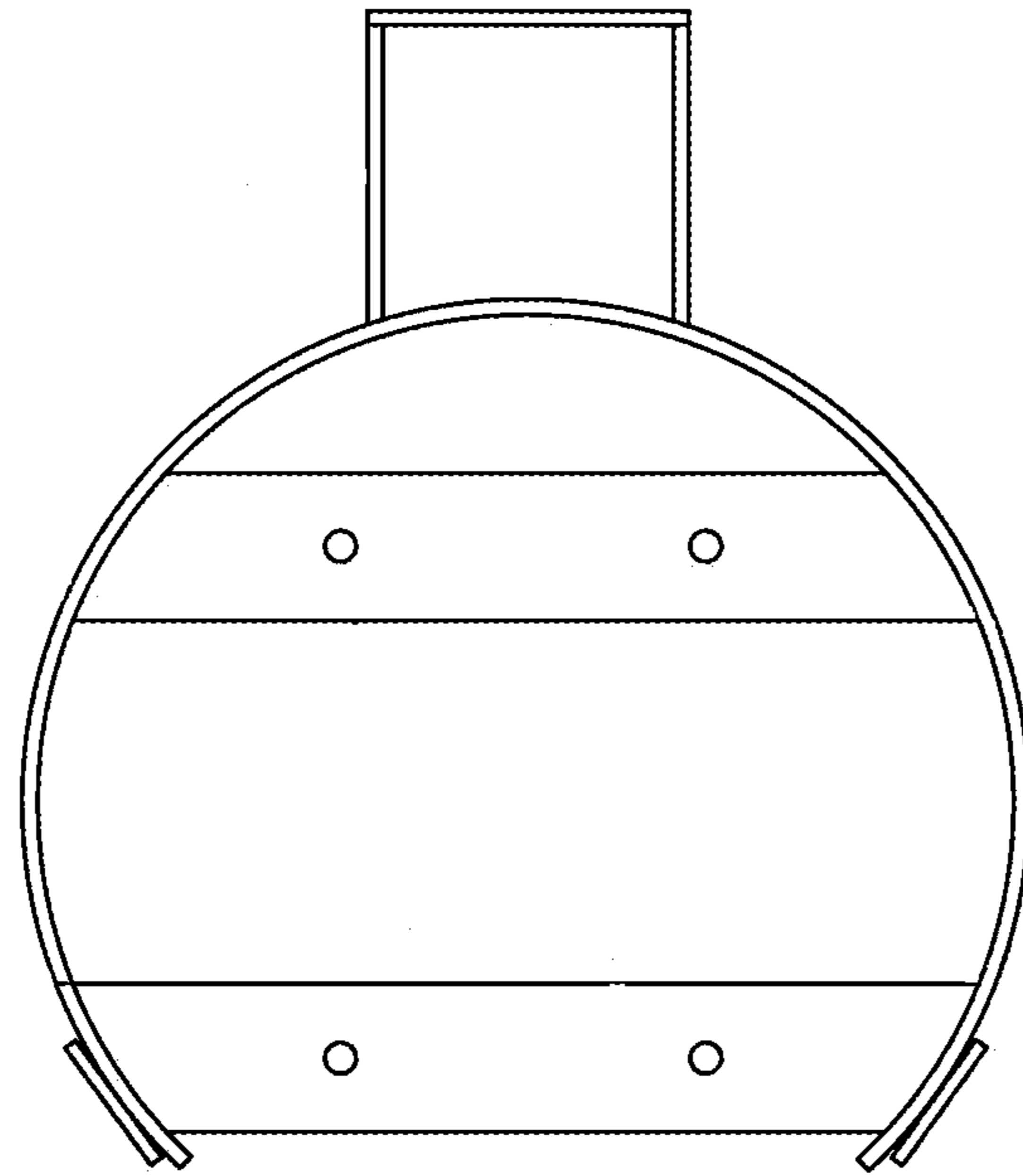


FIG. 6

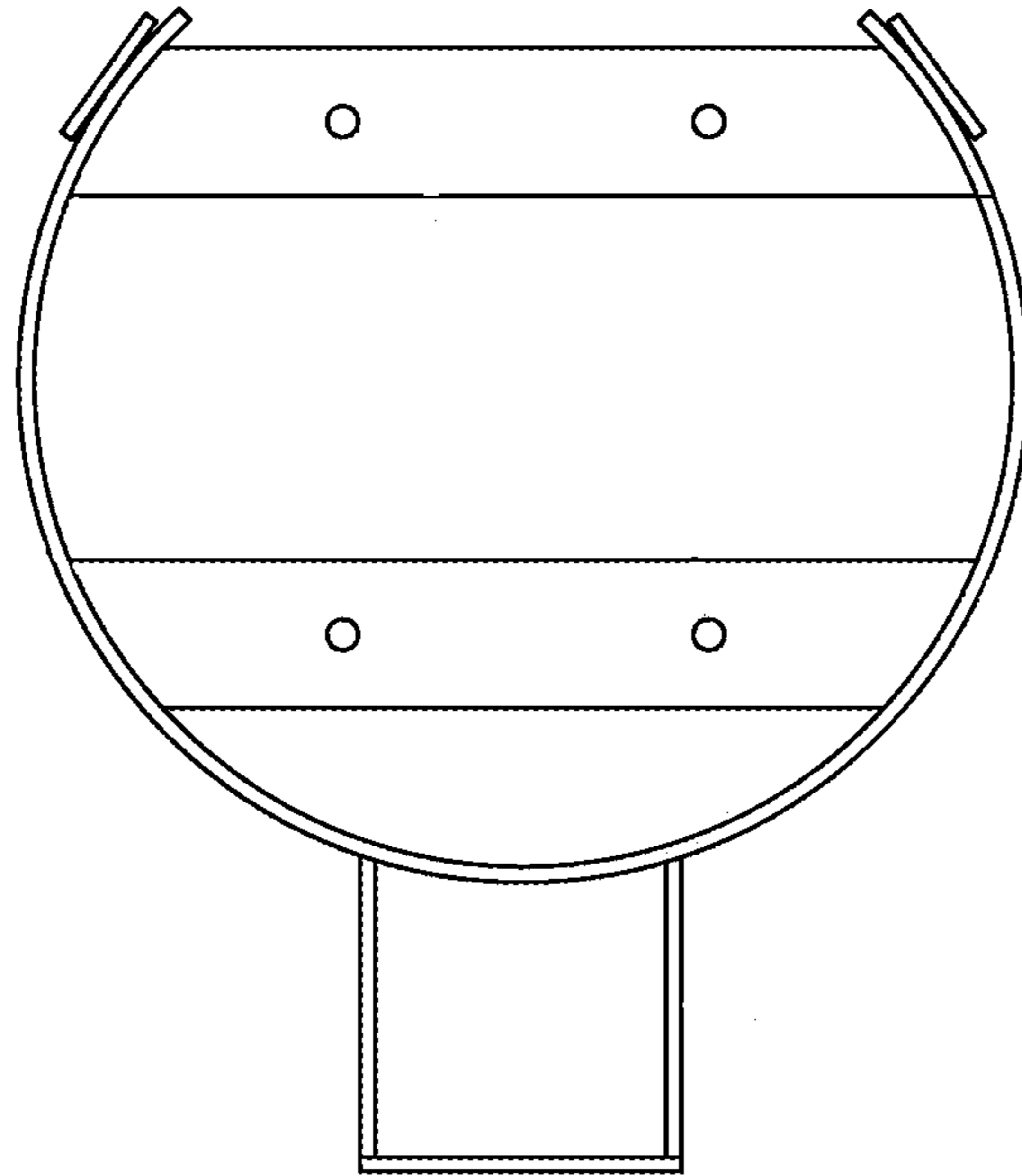


FIG. 7