



US00D917372S

(12) **United States Design Patent** (10) **Patent No.:** **US D917,372 S**
Zhang et al. (45) **Date of Patent:** **** Apr. 27, 2021**

(54) **DIVER PROPULSION VEHICLE**
(71) Applicant: **Zhuhai Yunzhou Intelligence Technology Ltd., Zhuhai (CN)**
(72) Inventors: **Ran Zhang, Zhuhai (CN); Yunfei Zhang, Zhuhai (CN)**
(73) Assignee: **ZHUHAI YUNZHOU INTELLIGENCE TECHNOLOGY LTD., Zhuhai (CN)**
(**) Term: **15 Years**
(21) Appl. No.: **29/721,932**
(22) Filed: **Jan. 24, 2020**
(30) **Foreign Application Priority Data**
Dec. 26, 2019 (CN) 201930731610.2
(51) **LOC (13) Cl.** **12-06**
(52) **U.S. Cl.**
USPC **D12/308**
(58) **Field of Classification Search**
USPC D12/3, 214, 223, 300, 305, 308, 309, D12/316, 317, 400; D21/542, 545, 769, D21/770, 771, 801, 803, 804, 810
CPC ... B63G 8/00; B63G 8/40; B63G 8/42; B63G 8/46; B63G 8/001; B63G 8/002; B63G 8/08; B63B 35/00; B63B 35/08; B63B 35/10; B63B 35/12; B63B 32/10; B63C 11/02; B63C 11/46; B63C 2011/028; B63H 7/02; B63H 21/17
See application file for complete search history.

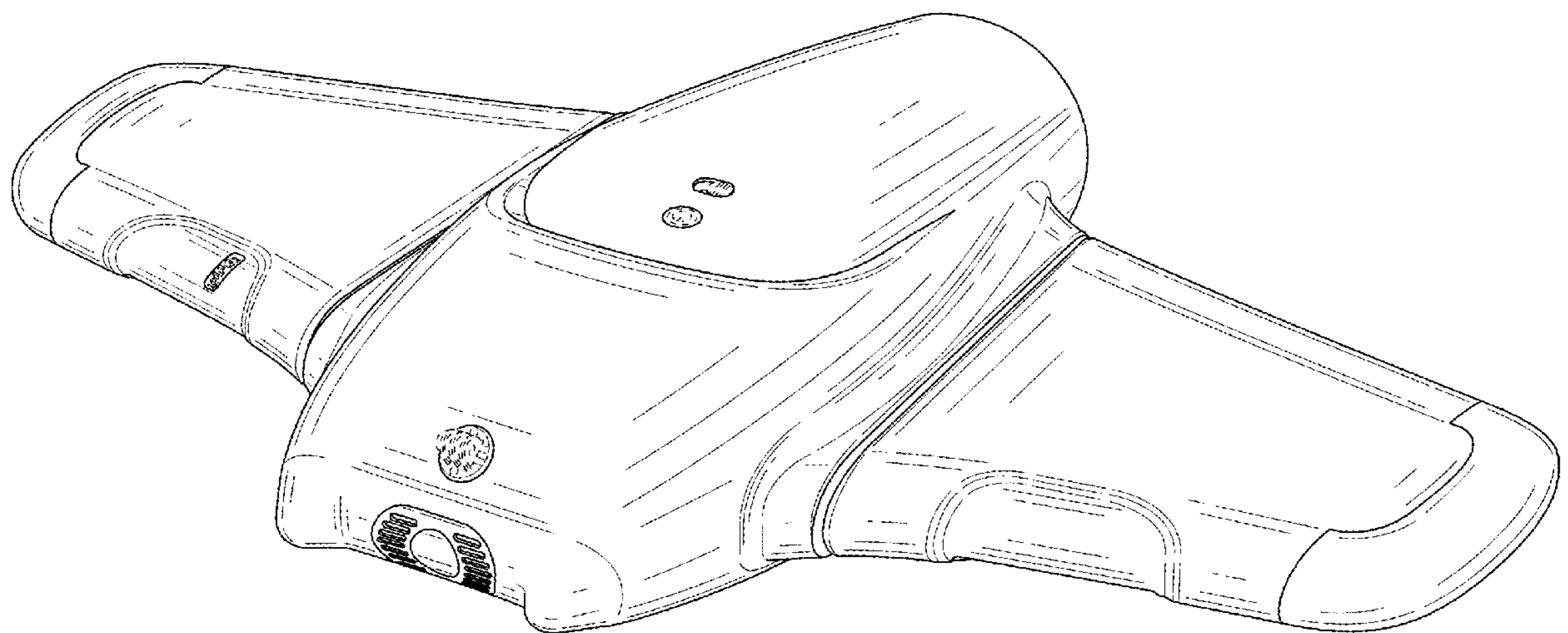
(56) **References Cited**
U.S. PATENT DOCUMENTS
5,469,803 A * 11/1995 Gallo A63B 35/12
114/315
D844,534 S * 4/2019 Liu D12/308
D892,708 S * 8/2020 Chen D12/308
2001/0025594 A1* 10/2001 Daniels B63C 11/46
114/315
2015/0128841 A1* 5/2015 Templeman B63B 1/24
114/274
FOREIGN PATENT DOCUMENTS
FR 3017851 A1 * 8/2015 B63B 32/10
* cited by examiner

Primary Examiner — Christian P. McLean
Assistant Examiner — Adam C Mager
(74) *Attorney, Agent, or Firm* — Cantor Colburn LLP

(57) **CLAIM**
We claim, the ornamental design for a diver propulsion vehicle, as shown and described.

DESCRIPTION
FIG. 1 is a perspective view of a diver propulsion vehicle, showing our new design;
FIG. 2 is front view thereof;
FIG. 3 is a rear view thereof;
FIG. 4 is a left side view thereof;
FIG. 5 is a right side view thereof;
FIG. 6 is a top view thereof; and,
FIG. 7 is a bottom view thereof.
Portions shown in broken lines form no part of the claimed design.

1 Claim, 5 Drawing Sheets



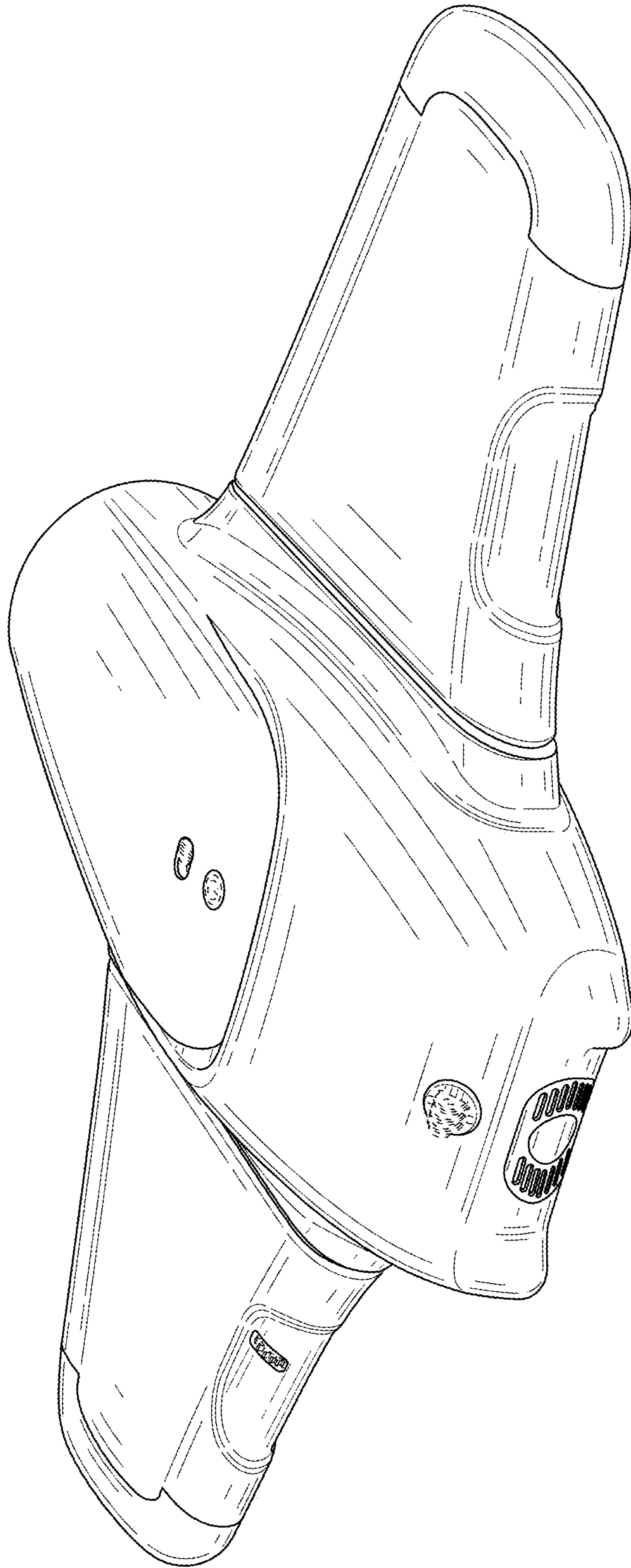


FIG. 1

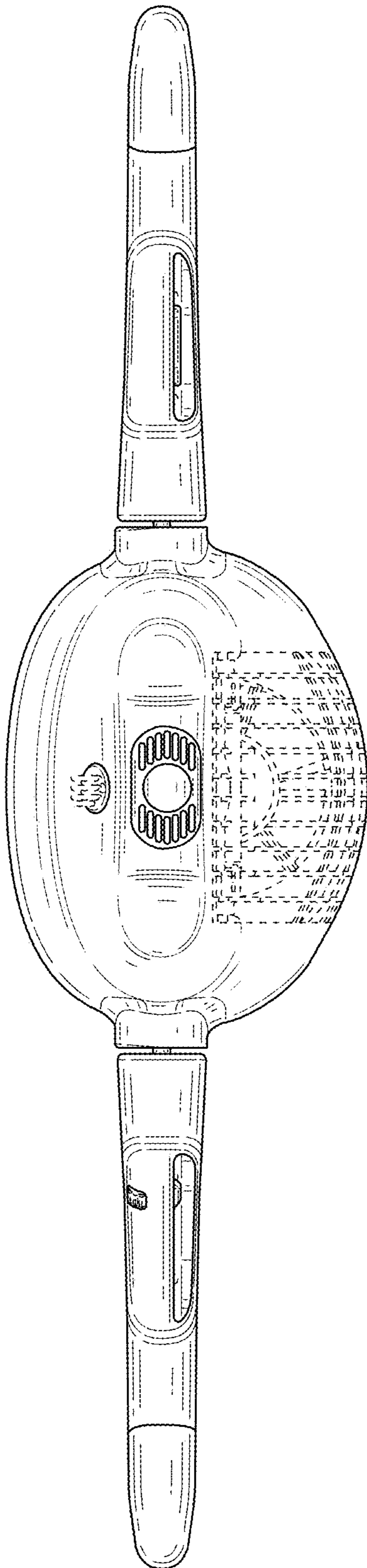


FIG. 2

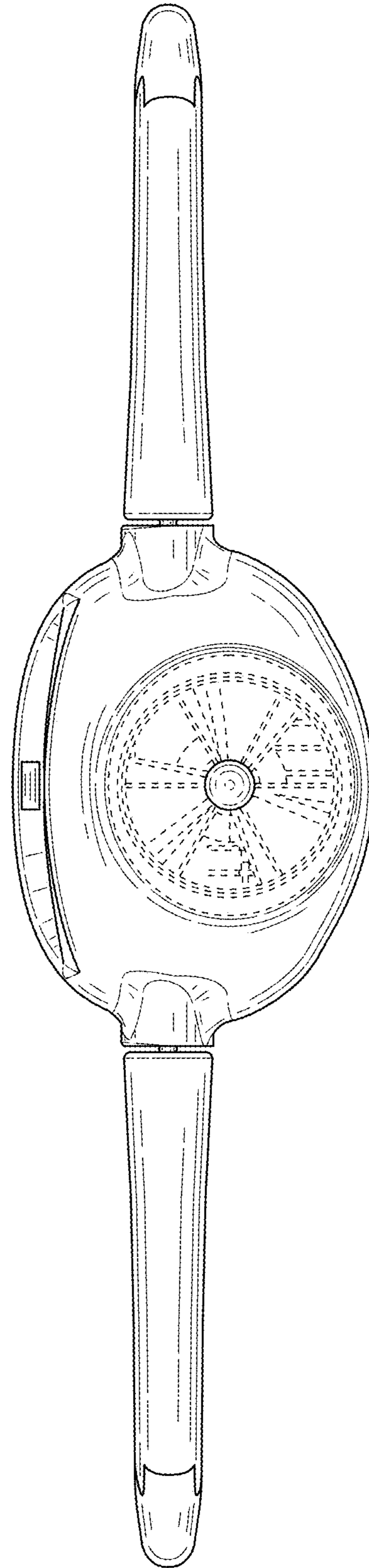


FIG. 3

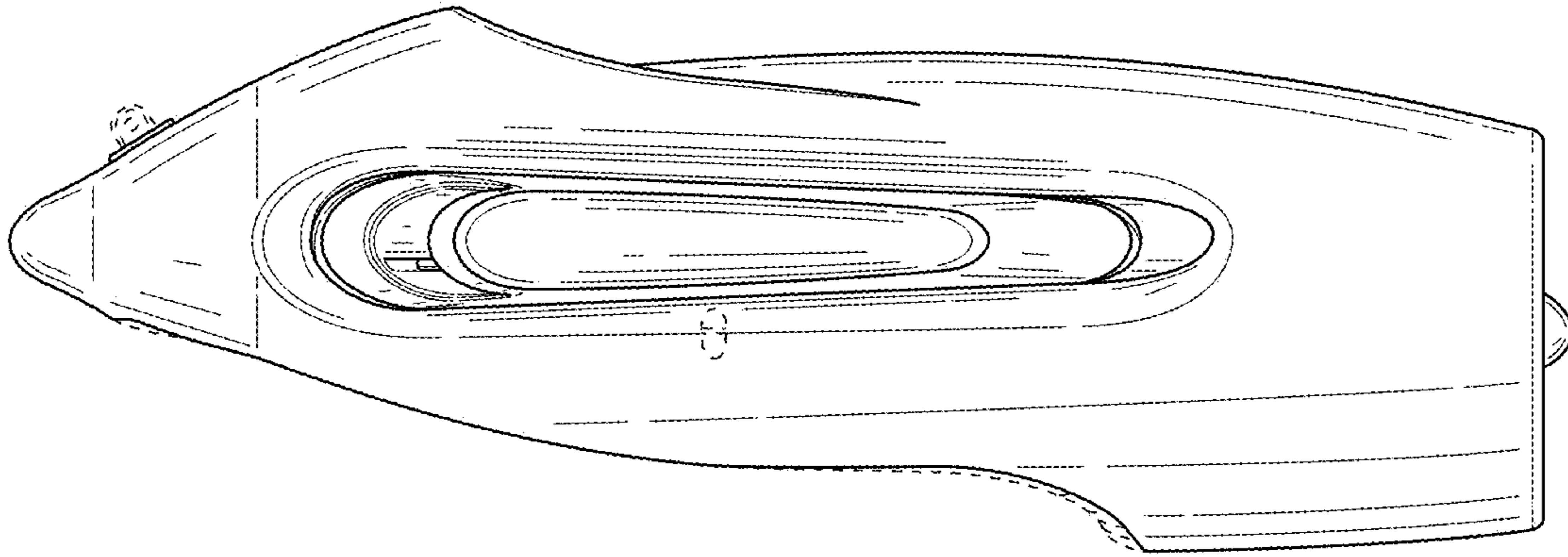


FIG. 4

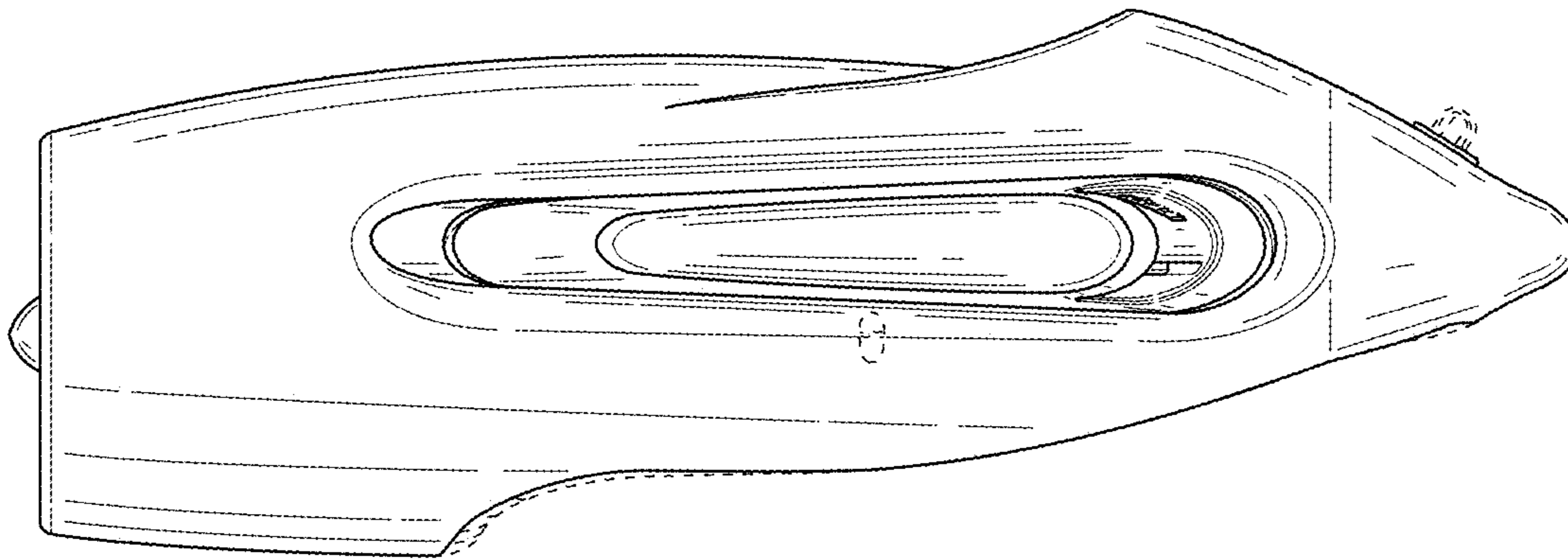


FIG. 5

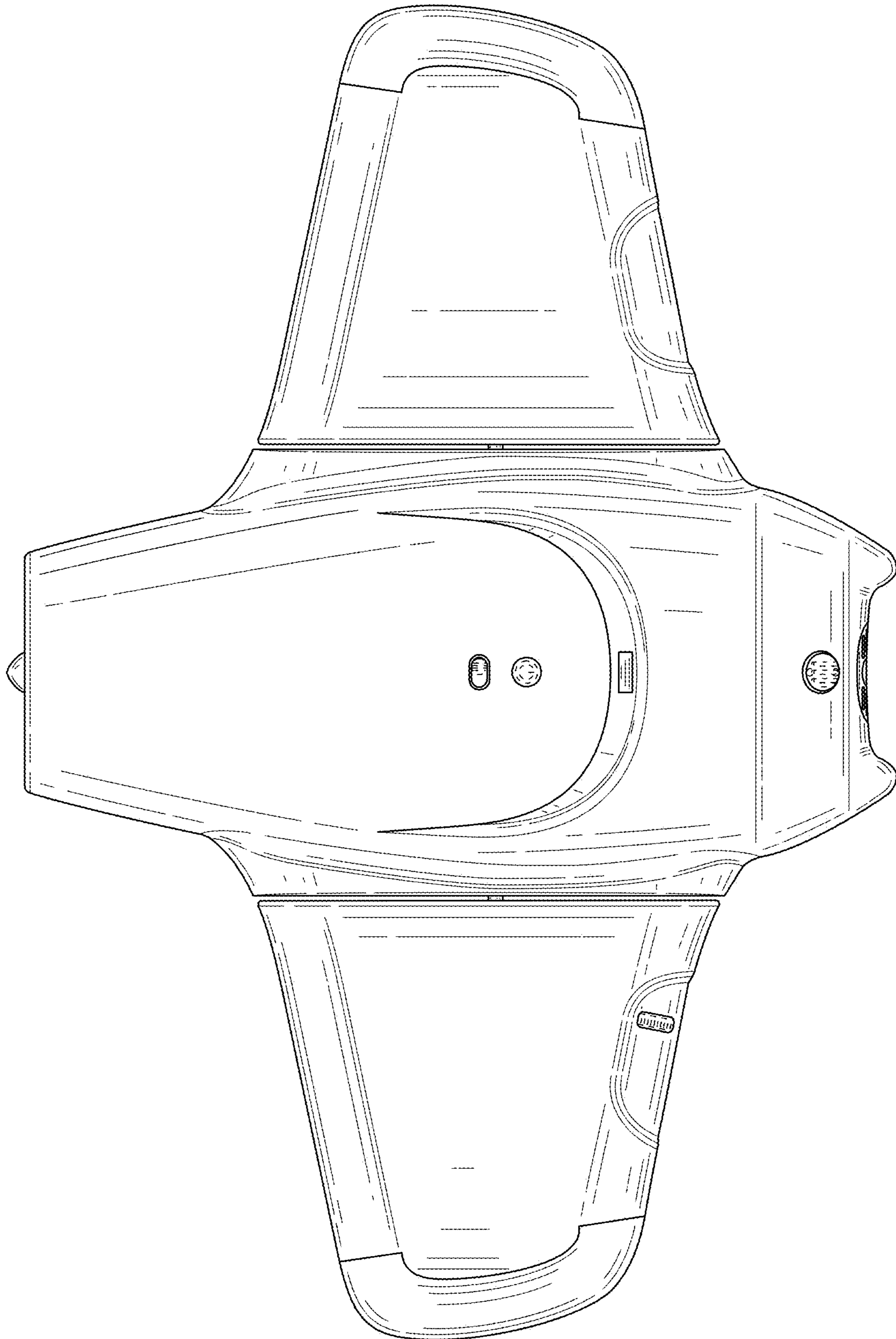


FIG. 6

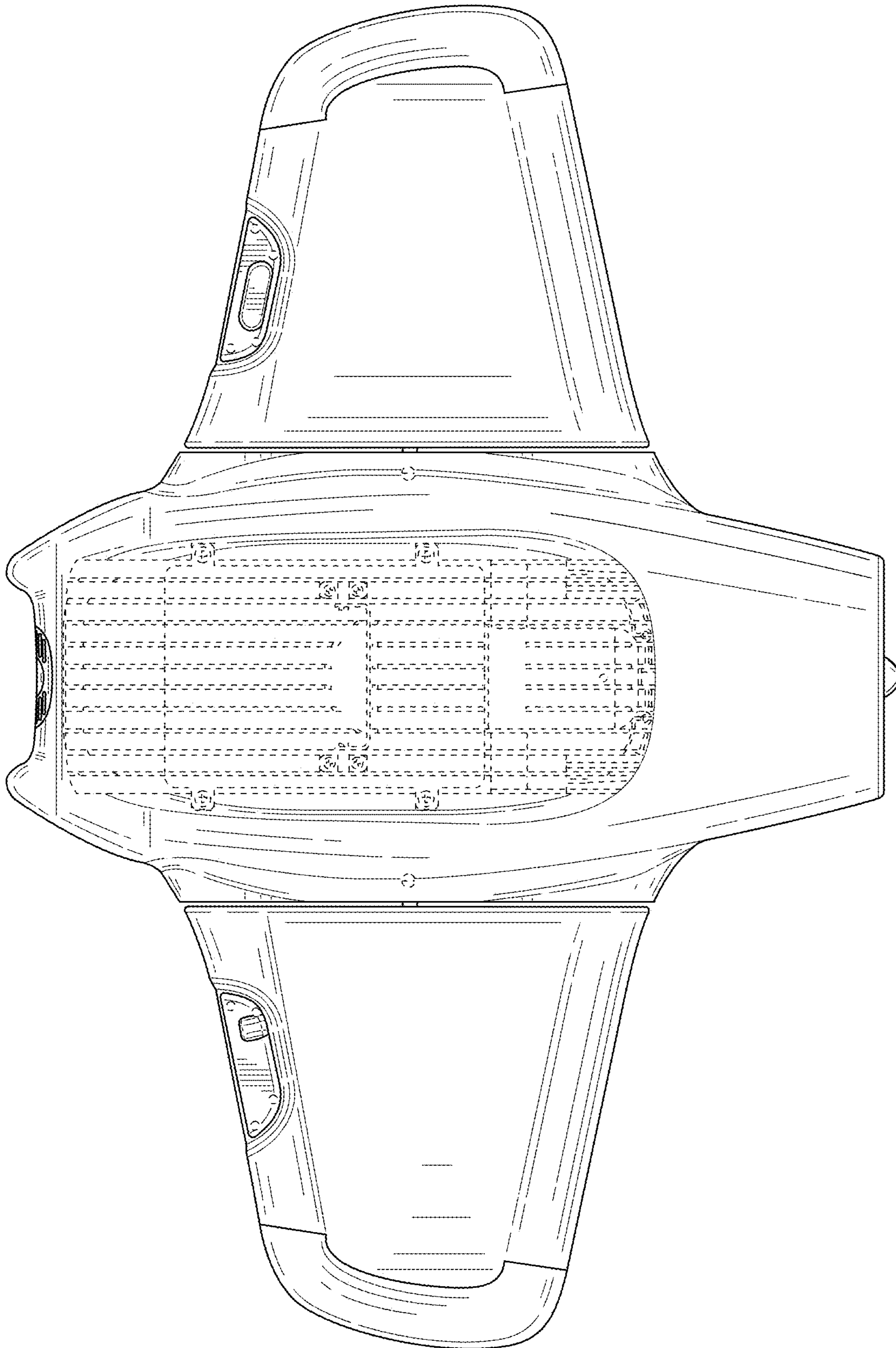


FIG. 7