



US00D917371S

(12) **United States Design Patent** (10) **Patent No.:** **US D917,371 S**  
**Harriton et al.** (45) **Date of Patent:** **\*\* Apr. 27, 2021**

(54) **BRACKET**  
(71) Applicant: **StreetCar ORV LLC**, Wixom, MI (US)  
(72) Inventors: **David Harriton**, Missoula, MT (US);  
**Mark Stouffer**, Oakland Township, MI (US)  
(73) Assignee: **StreetCar ORV LLC**, Wixom, MI (US)  
(\*\*) Term: **15 Years**  
(21) Appl. No.: **29/712,081**  
(22) Filed: **Nov. 5, 2019**  
(51) **LOC (13) Cl.** ..... **12-16**  
(52) **U.S. Cl.**  
USPC ..... **D12/223**; D8/382  
(58) **Field of Classification Search**  
USPC ..... D26/142, 113, 28; D12/223, 400;  
D8/382, 349, 354  
CPC ..... F16L 3/00; F16L 3/1033; F16L 3/1016;  
F16L 3/105; F16L 3/1075; F16L 3/1083;  
F16L 3/1091; F21S 2/00; F21S 2/005;  
F21S 4/28; F21S 8/036; F21S 8/043;  
E04H 17/24  
See application file for complete search history.

(56) **References Cited**  
U.S. PATENT DOCUMENTS  
D308,116 S \* 5/1990 Vandergrift ..... D26/149  
D371,861 S \* 7/1996 Stamm ..... D26/140  
D375,284 S \* 11/1996 Kass ..... D12/162  
D418,094 S \* 12/1999 Schmidt ..... D12/162  
6,332,660 B1 \* 12/2001 Salice ..... E05D 15/262  
160/207  
D536,243 S \* 2/2007 McNichol ..... D8/499

7,392,967 B2 \* 7/2008 Liaw ..... F21V 21/088  
248/218.4  
D576,026 S \* 9/2008 Mazzocco ..... D8/382  
D615,847 S \* 5/2010 Tezak ..... D8/349  
D654,782 S \* 2/2012 Peng ..... D8/367  
D694,466 S \* 11/2013 Kjaergaard ..... D26/142  
D738,002 S \* 9/2015 Lowry ..... D26/28  
D742,060 S \* 10/2015 Kjaergaard Toft ..... D26/142  
D775,751 S \* 1/2017 Jones, Jr. .... D26/28  
D791,058 S \* 7/2017 Laatz ..... D12/223  
D803,757 S \* 11/2017 Giordano ..... D12/223  
D803,758 S \* 11/2017 Giordano ..... D12/223  
D809,991 S \* 2/2018 Giordano ..... D12/223  
D824,430 S \* 7/2018 Sivinski ..... D15/28  
D829,082 S \* 9/2018 O'Brien ..... D8/366  
D837,925 S \* 1/2019 Gorsuch ..... D22/108  
D857,481 S \* 8/2019 Lentine ..... D8/354  
D858,256 S \* 9/2019 Smith ..... D8/354

(Continued)

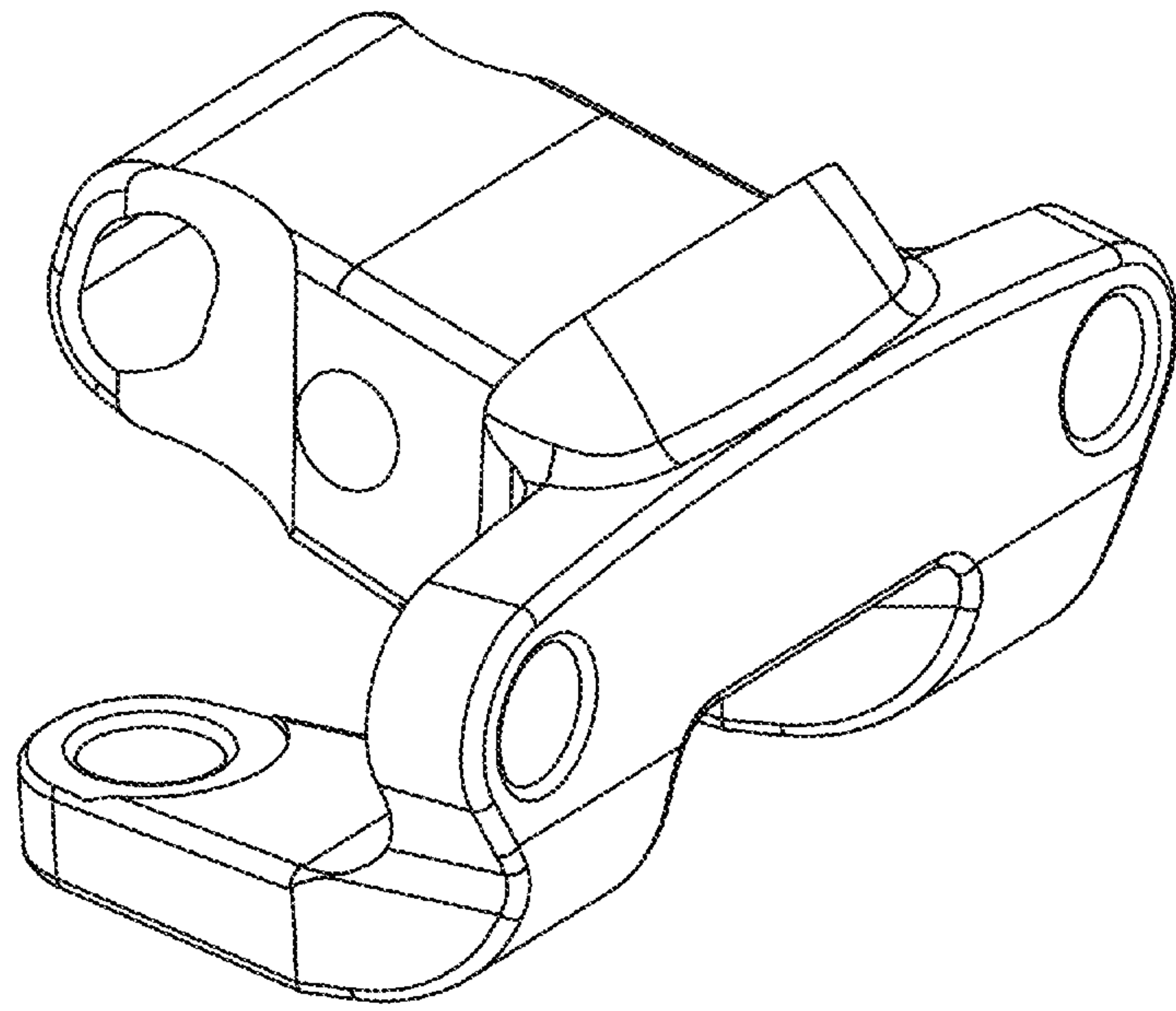
*Primary Examiner* — Sandra Snapp  
*Assistant Examiner* — Ieisha N Price  
(74) *Attorney, Agent, or Firm* — Quinn IP Law

(57) **CLAIM**  
The ornamental design for a bracket, as shown and described.

**DESCRIPTION**

FIG. 1 is a top, front, and right perspective view of a bracket showing the claimed design;  
FIG. 2 is a left side view thereof;  
FIG. 3 is a right side view thereof;  
FIG. 4 is a front elevation view thereof;  
FIG. 5 is a rear elevation view thereof;  
FIG. 6 is a bottom view thereof;  
FIG. 7 is a top view thereof;  
FIG. 8 is a bottom, right, and rear perspective view thereof;  
FIG. 9 is a top, right, and rear perspective view thereof; and,  
FIG. 10 is a bottom, right, and front perspective view thereof.

**1 Claim, 7 Drawing Sheets**



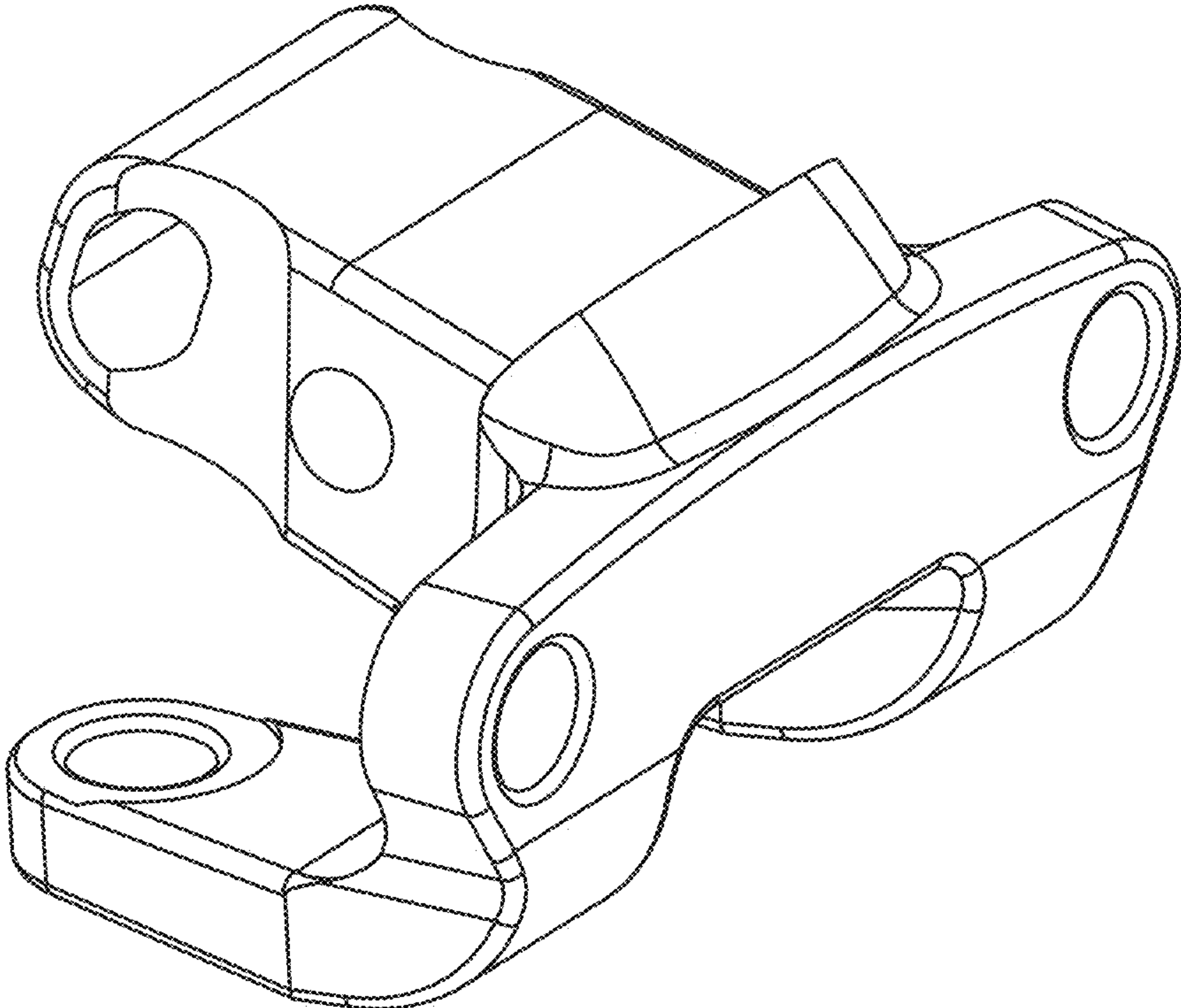
(56)

**References Cited**

U.S. PATENT DOCUMENTS

10,577,025	B2 *	3/2020	Michler .....	B62D 25/14
D882,835	S *	4/2020	Harriton .....	D26/28
D884,778	S *	5/2020	Birkemeier .....	D16/245
D893,581	S *	8/2020	Roth .....	D16/242
D898,654	S *	10/2020	Huang .....	D12/400
2003/0175072	A1 *	9/2003	Steig, Jr. ....	E02F 3/3663
				403/322.1
2013/0010471	A1 *	1/2013	Dalsgaard .....	F21V 7/0083
				362/249.1
2014/0204218	A1 *	7/2014	Gebhard .....	B60R 11/04
				348/164
2015/0102581	A1 *	4/2015	Schwensen .....	B60D 1/247
				280/407
2015/0159840	A1 *	6/2015	Liu .....	F21S 2/00
				362/648

\* cited by examiner



**FIG. 1**

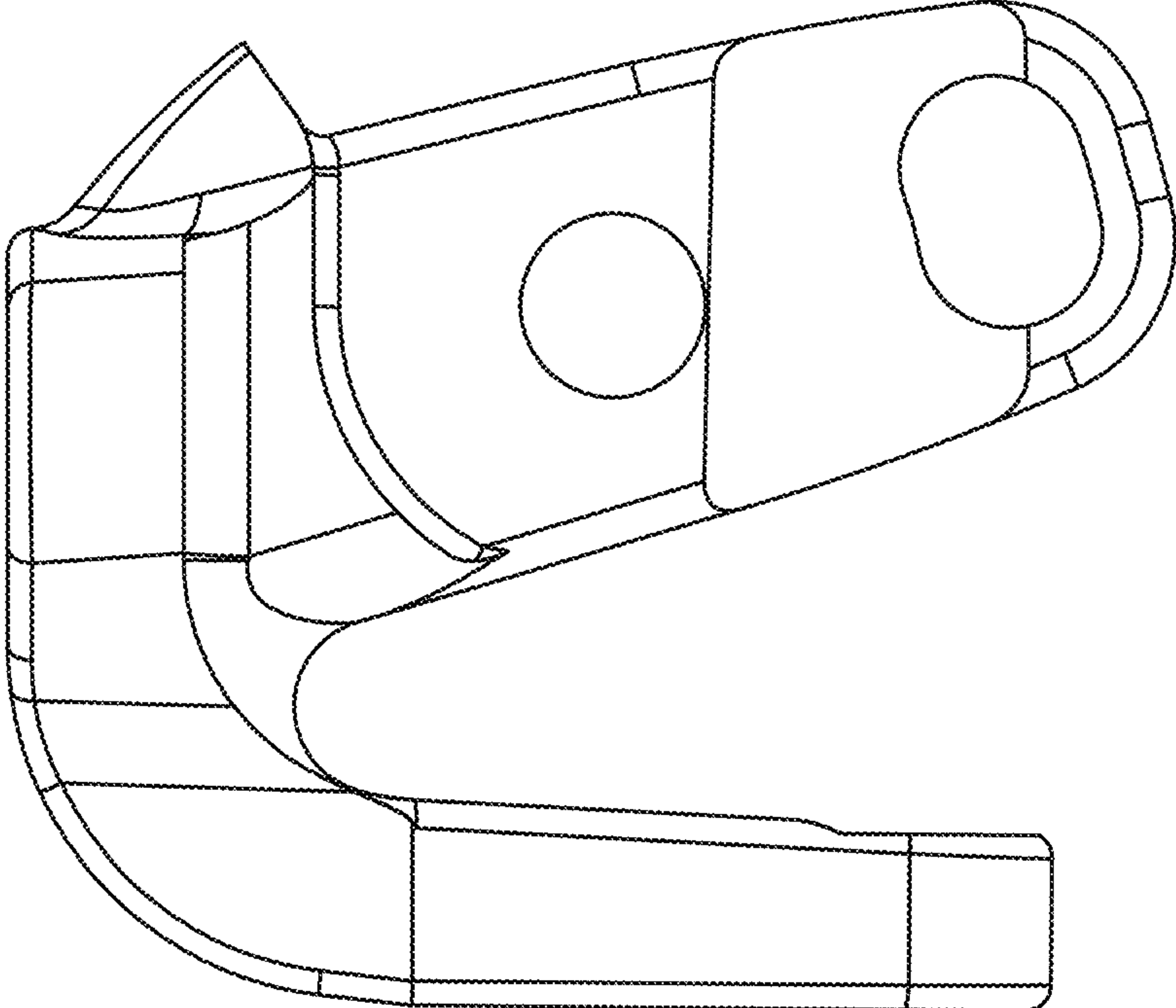


FIG. 2

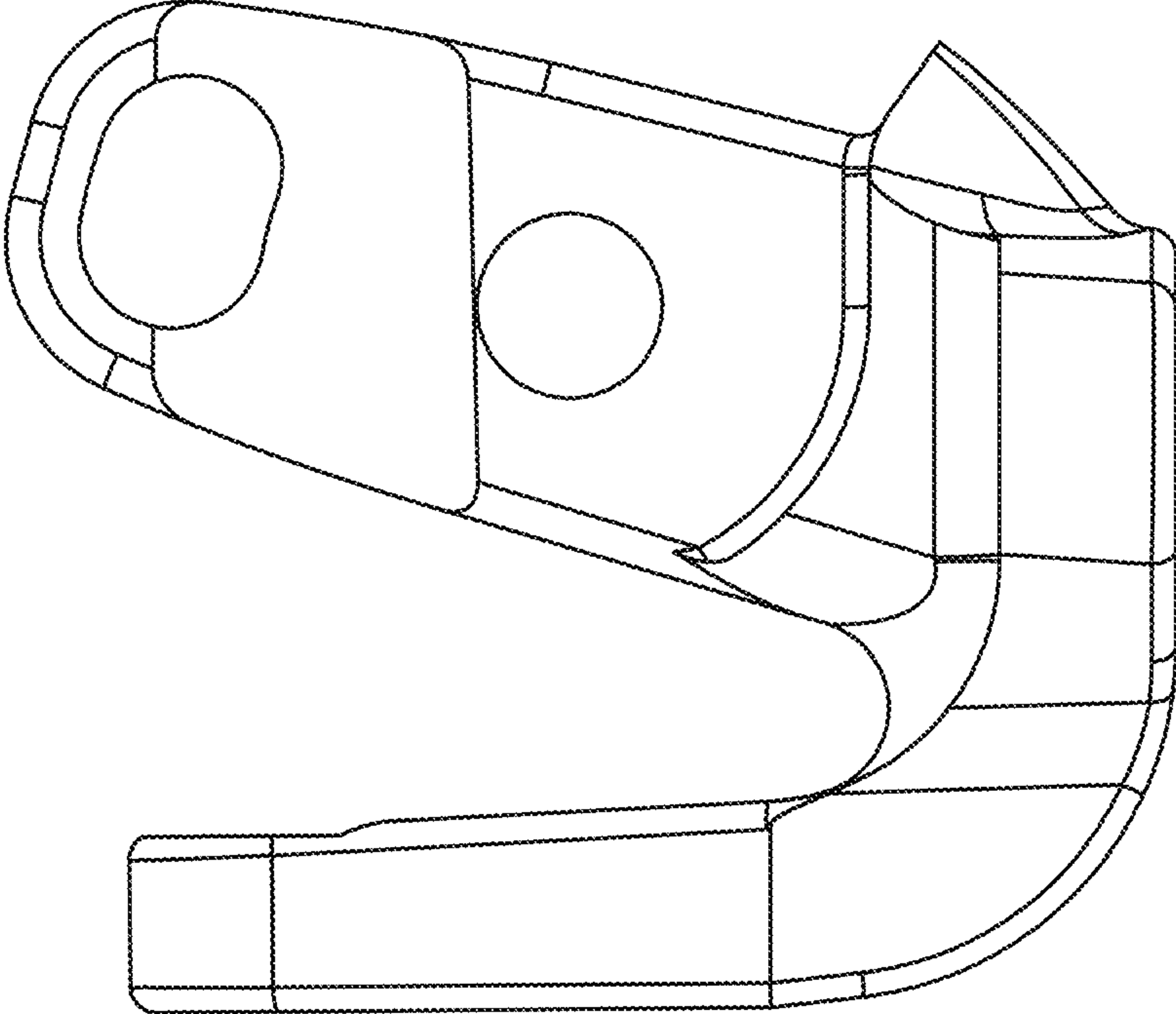


FIG. 3



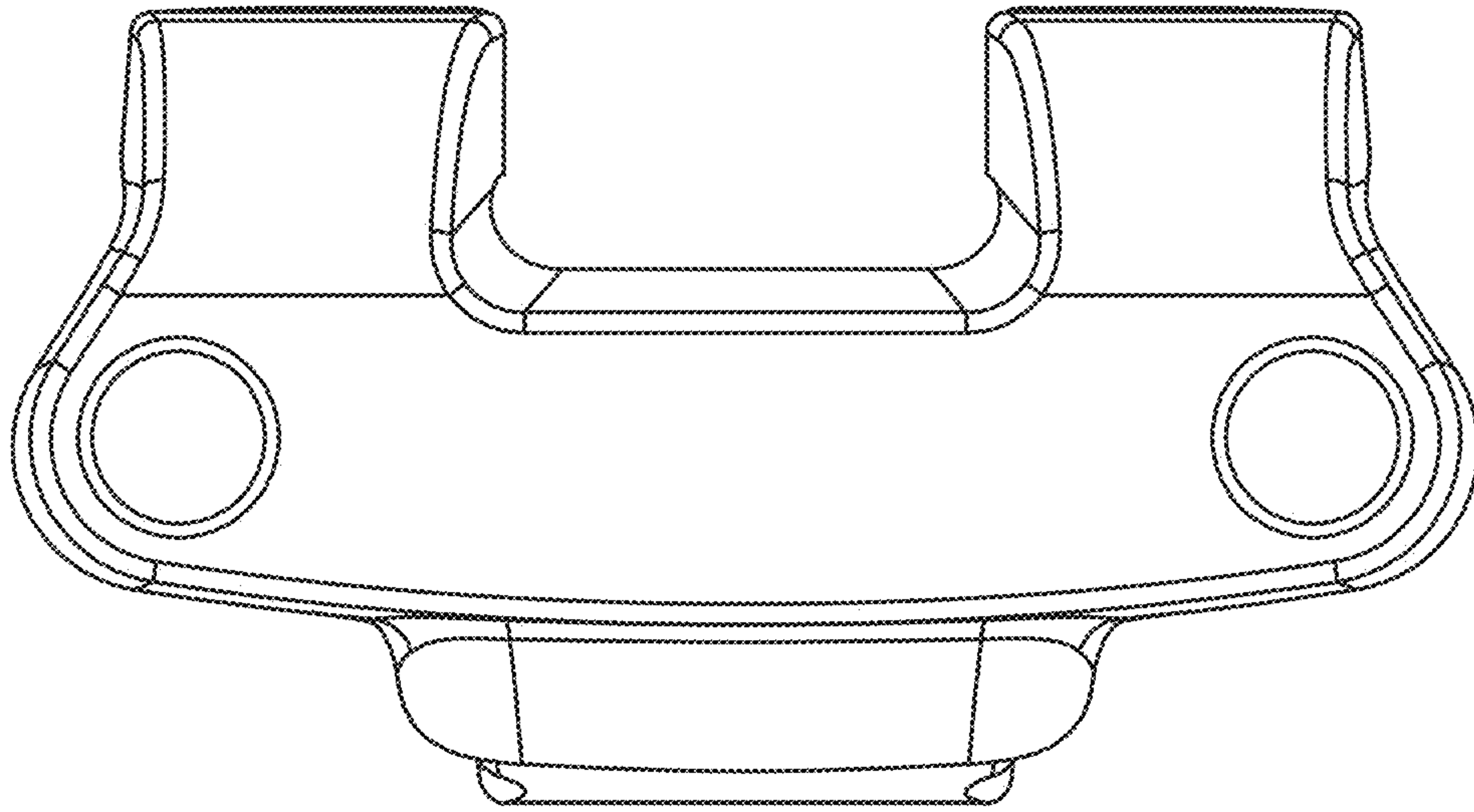


FIG. 4

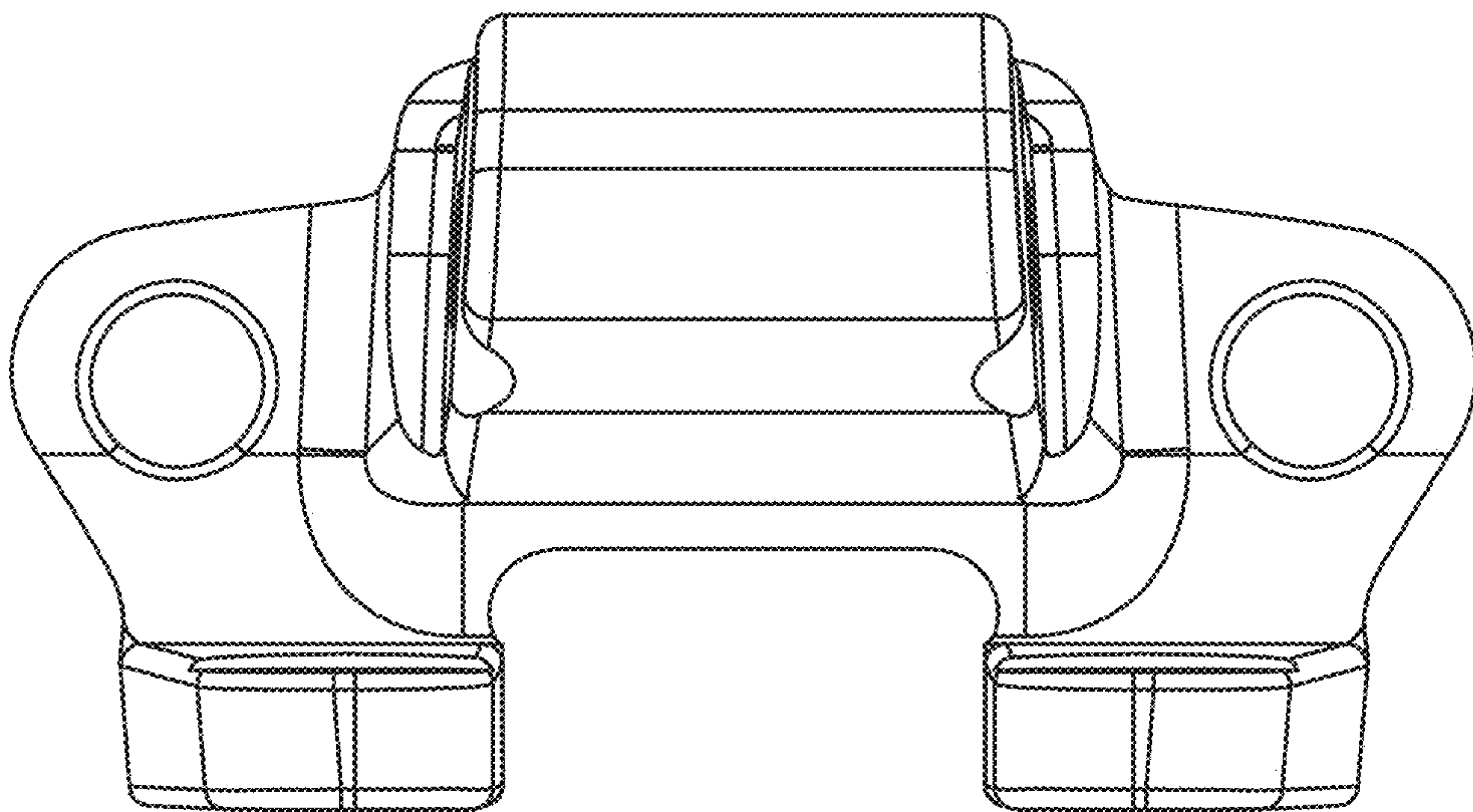


FIG. 5

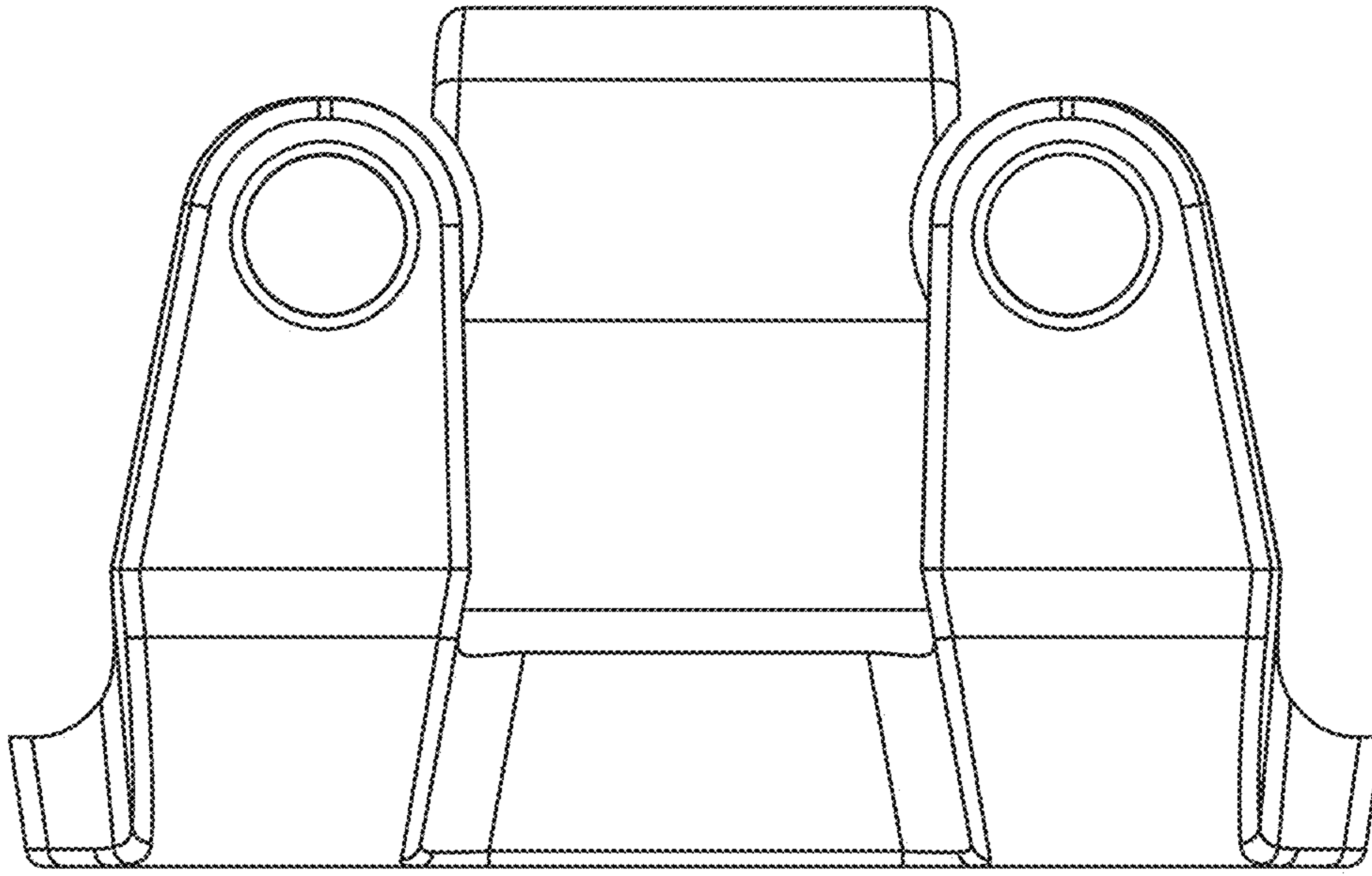


FIG. 6

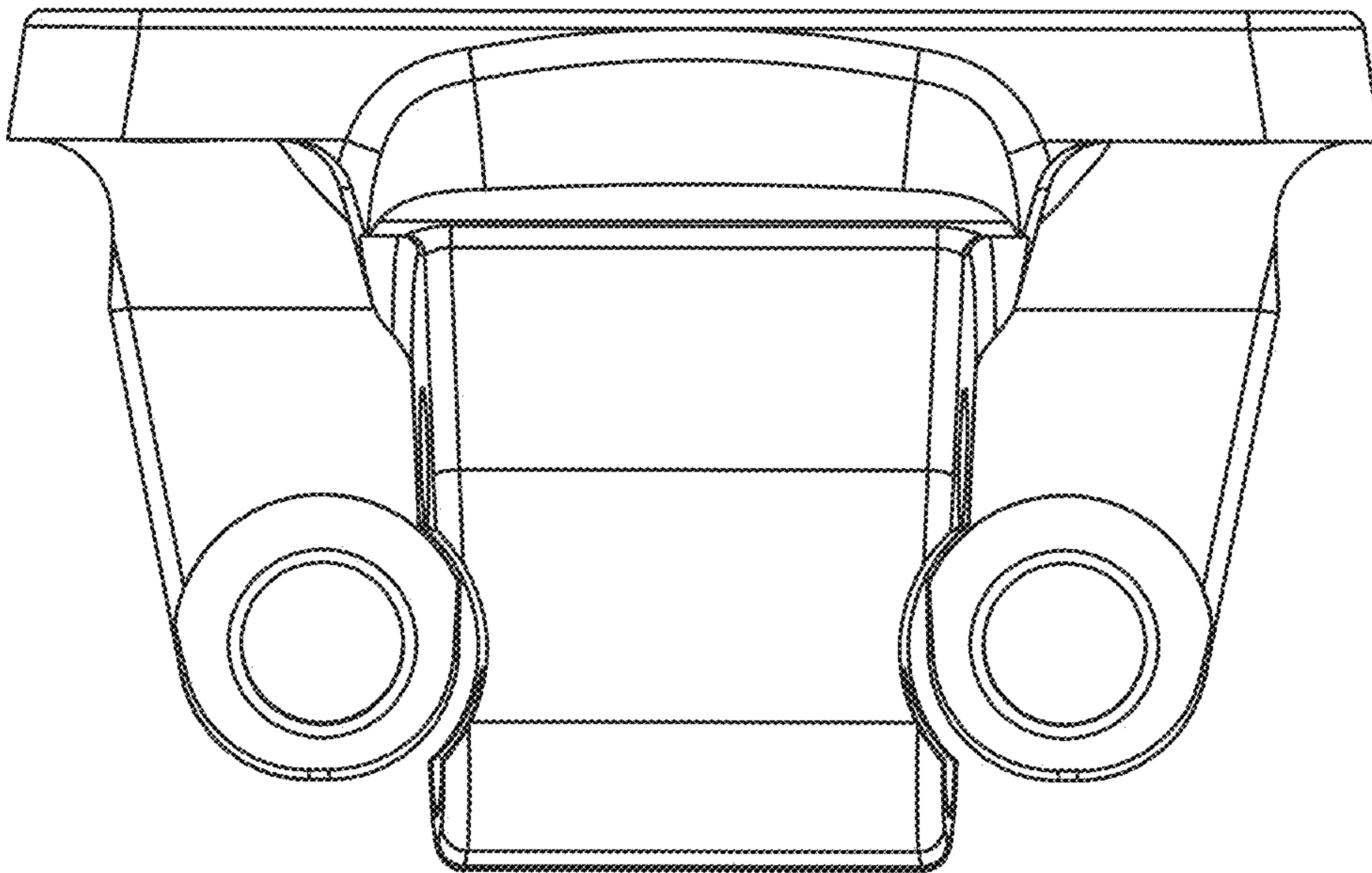


FIG. 7

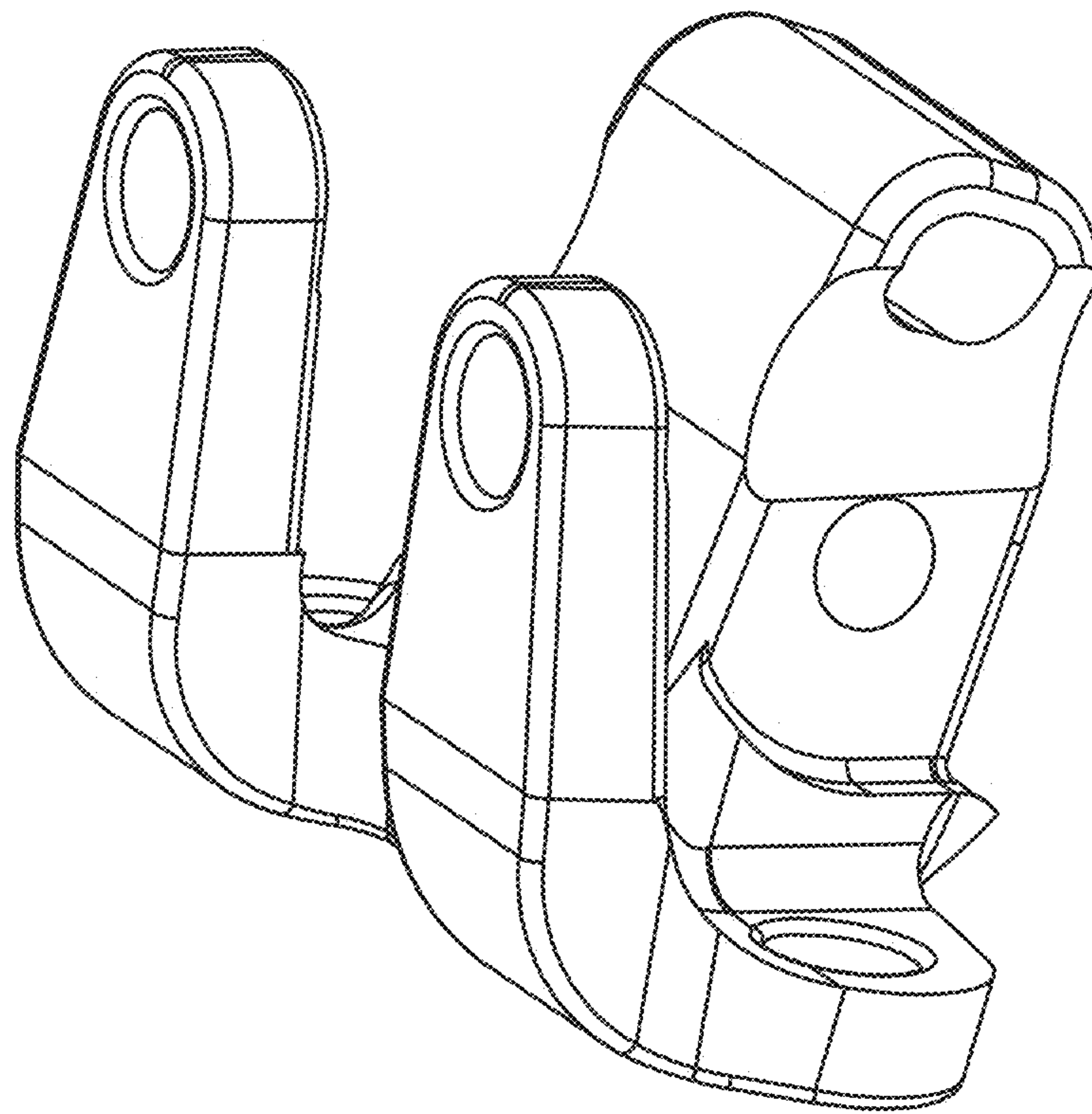


FIG. 8

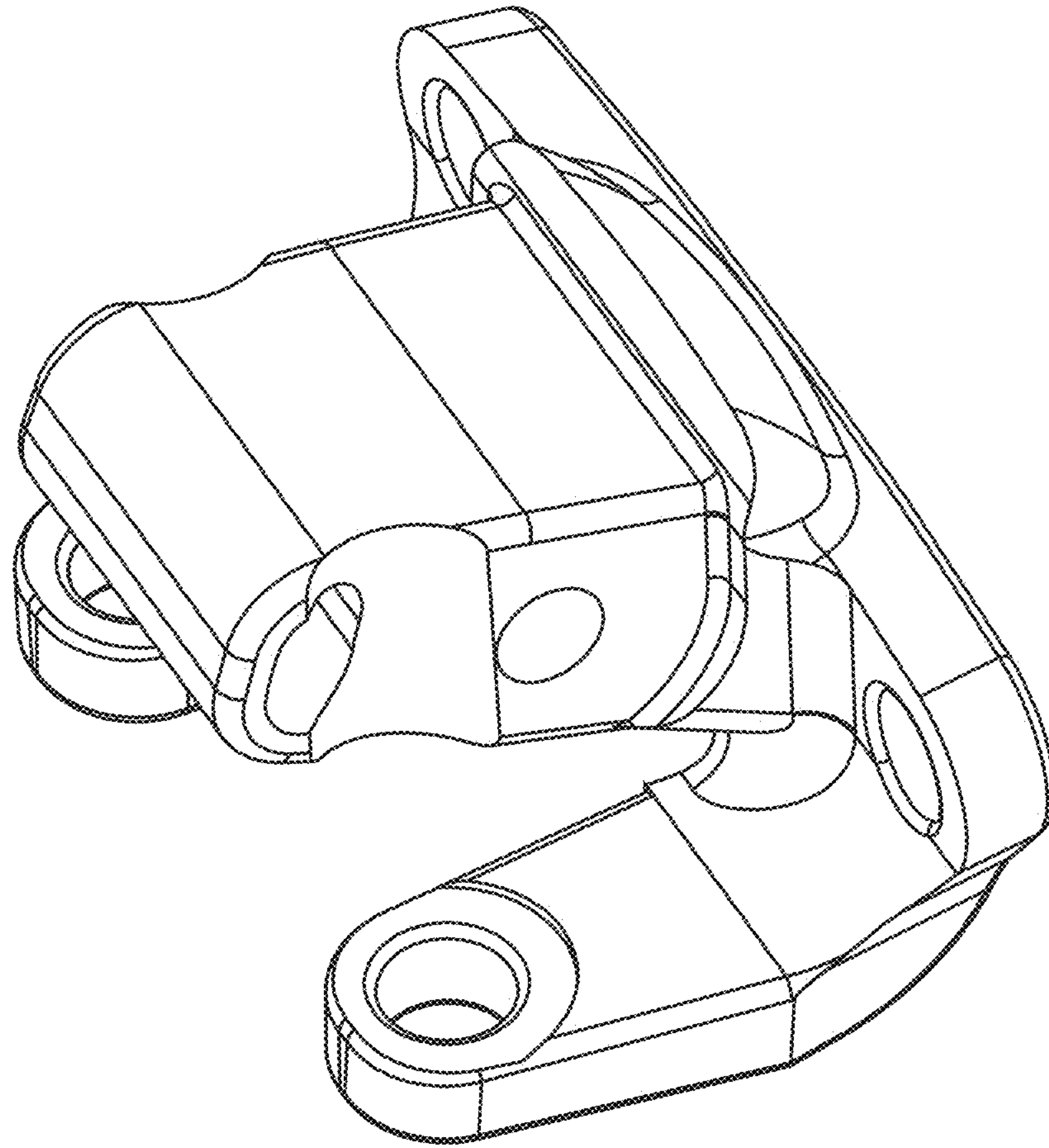
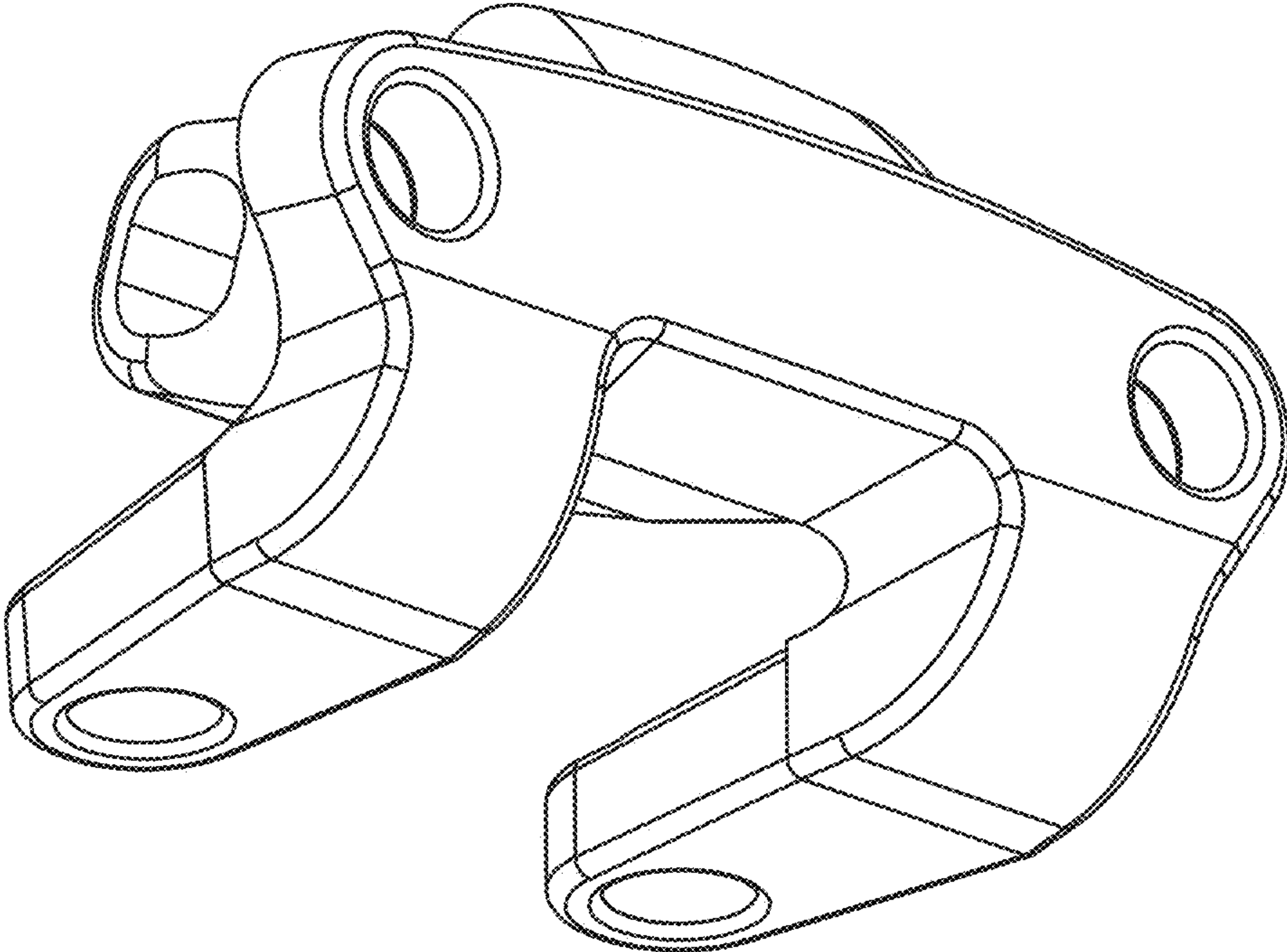


FIG. 9





**FIG. 10**