



US00D917368S

(12) **United States Design Patent**
Kaneko et al.

(10) **Patent No.:** **US D917,368 S**

(45) **Date of Patent:** **** Apr. 27, 2021**

(54) **WHEEL FOR VEHICLE**

(71) Applicant: **Kubota Corporation**, Osaka (JP)

(72) Inventors: **Tomonori Kaneko**, Sakai (JP); **Wataru Sasaki**, Sakai (JP)

(73) Assignee: **KUBOTA CORPORATION**, Osaka (JP)

(**) Term: **15 Years**

(21) Appl. No.: **29/702,563**

(22) Filed: **Aug. 20, 2019**

(30) **Foreign Application Priority Data**

Jun. 25, 2019 (JP) 2019-014104

(51) **LOC (13) Cl.** **12-16**

(52) **U.S. Cl.**
USPC **D12/211**

(58) **Field of Classification Search**

USPC D12/204–213; D21/533, 561, 563
CPC B60B 7/00; B60B 7/02; B60B 7/04; B60B 7/06; B60B 3/02; B60B 3/04; B60B 3/06; B60B 3/10; B60B 1/00; B60B 1/08; B60B 1/10; B60B 1/12

See application file for complete search history.

(56) **References Cited**

U.S. PATENT DOCUMENTS

D644,585 S	*	9/2011	Antoniadis	D12/209
D704,118 S	*	5/2014	Chung	D12/209
D719,893 S	*	12/2014	Kim	D12/211
D757,628 S	*	5/2016	Rolfs	D12/211
D781,766 S	*	3/2017	Galante	D12/209
D792,308 S	*	7/2017	Guo	D12/209

D792,312 S	*	7/2017	Wilson	D12/211
D803,748 S	*	11/2017	English	D12/209
D830,266 S	*	10/2018	Lickliter	D12/209
D838,646 S	*	1/2019	Harriton	D12/209
D841,553 S	*	2/2019	Chung	D12/209
D860,095 S	*	9/2019	Milani	D12/209
D865,611 S	*	11/2019	Interrante	D12/209
D865,612 S	*	11/2019	Interrante	D12/209
D876,314 S	*	2/2020	Han	D12/211
D887,938 S	*	6/2020	Stone	D12/209

* cited by examiner

Primary Examiner — Sheryl Lane

Assistant Examiner — Calvin E Vansant

(74) *Attorney, Agent, or Firm* — Masuvalley & Partners

(57) **CLAIM**

The ornamental design for a wheel for vehicle, as shown and described.

DESCRIPTION

FIG. 1 is a perspective view of a wheel for vehicle according to the invention;

FIG. 2 is a front elevation view of the wheel for vehicle of FIG. 1;

FIG. 3 is a rear elevation view of the wheel for vehicle of FIG. 1;

FIG. 4 is a top plan view of the wheel for vehicle of FIG. 1;

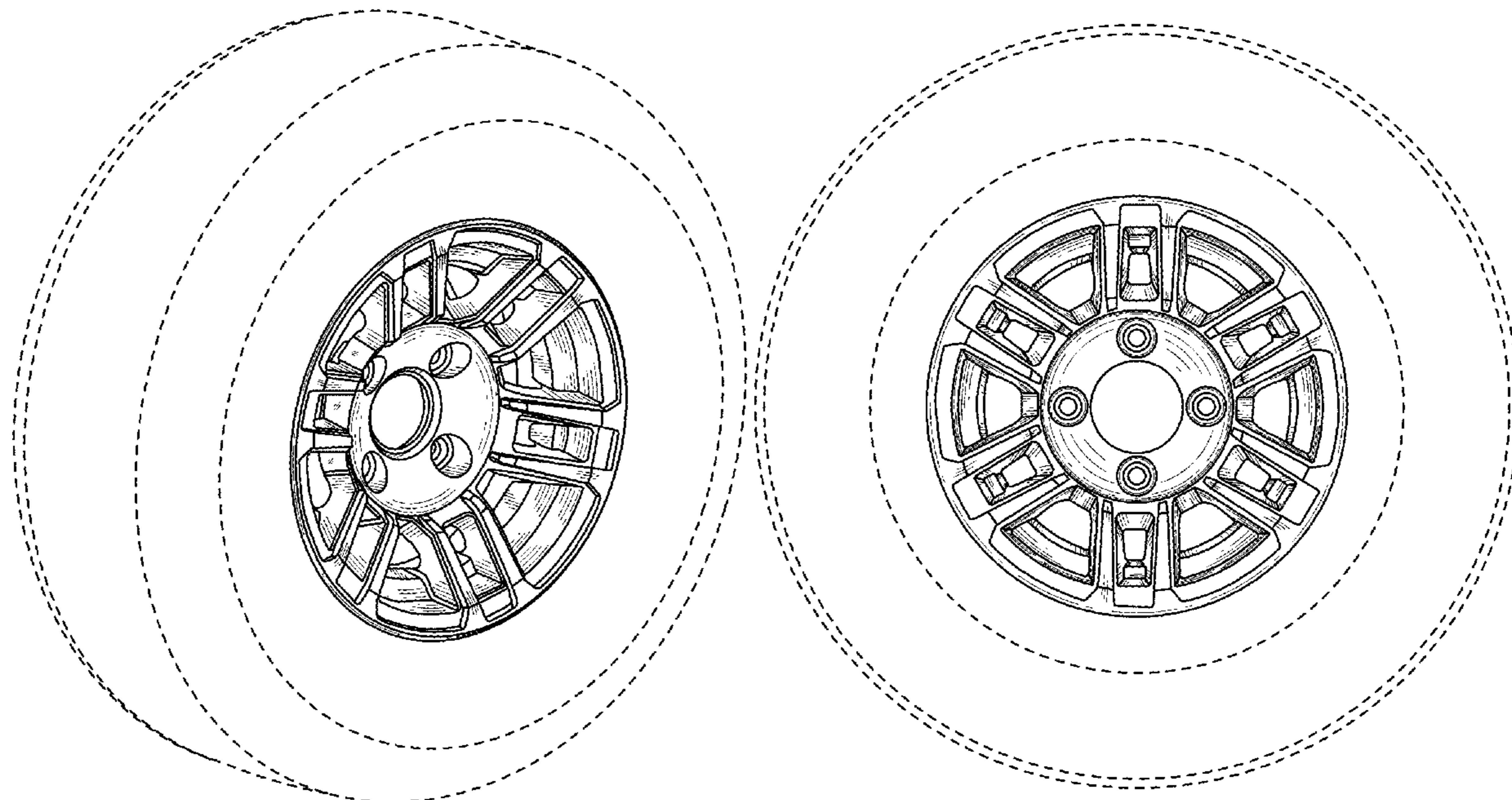
FIG. 5 is a bottom plan view of the wheel for vehicle of FIG. 1;

FIG. 6 is a left side elevation view of the wheel for vehicle of FIG. 1; and,

FIG. 7 is a right side elevation of the wheel for vehicle of FIG. 1.

The broken line showing of the wheel for vehicle is for the purpose of illustrating portions of the wheel for vehicle and forms no part of the claimed design.

1 Claim, 7 Drawing Sheets



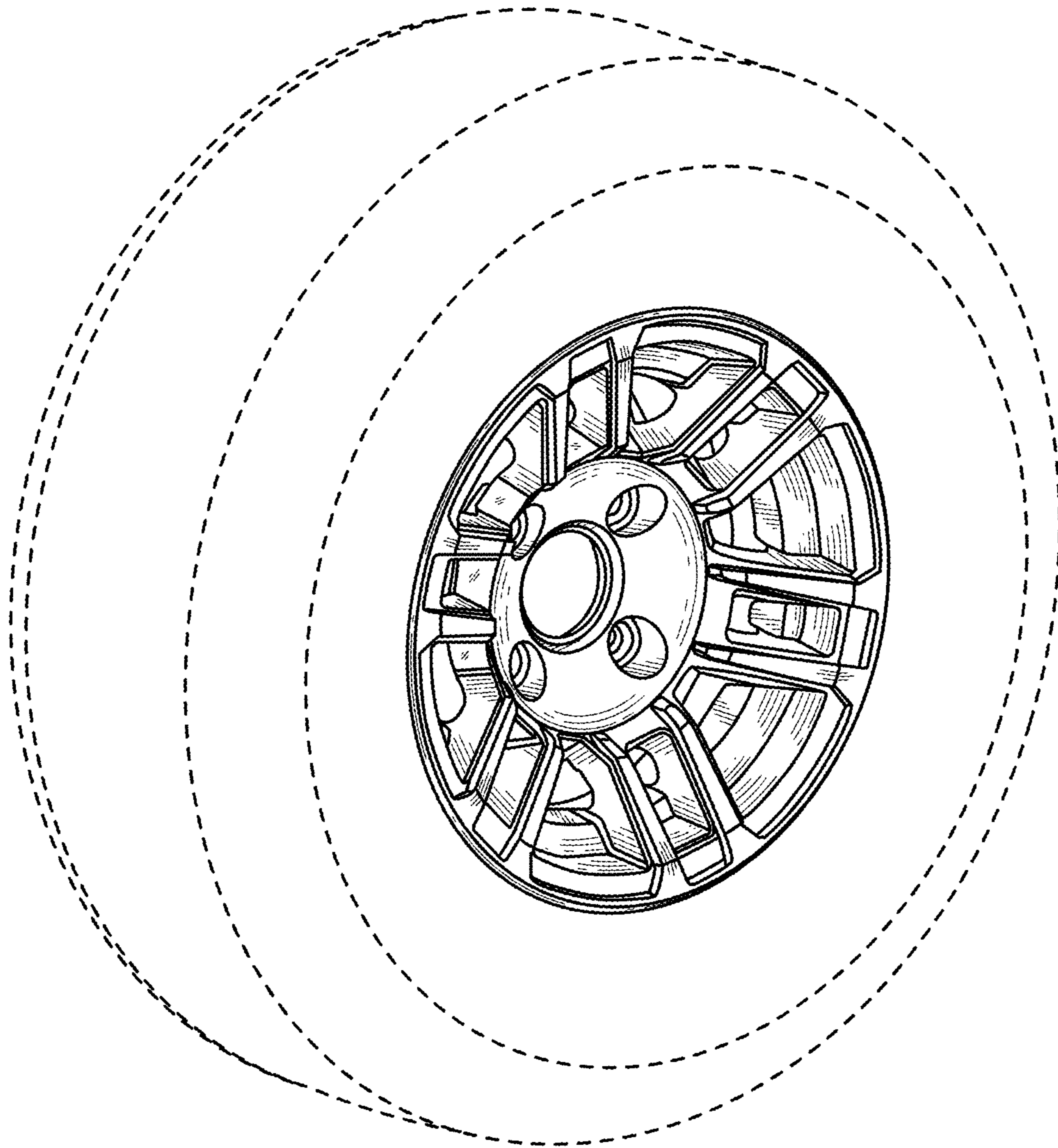


FIG. 1

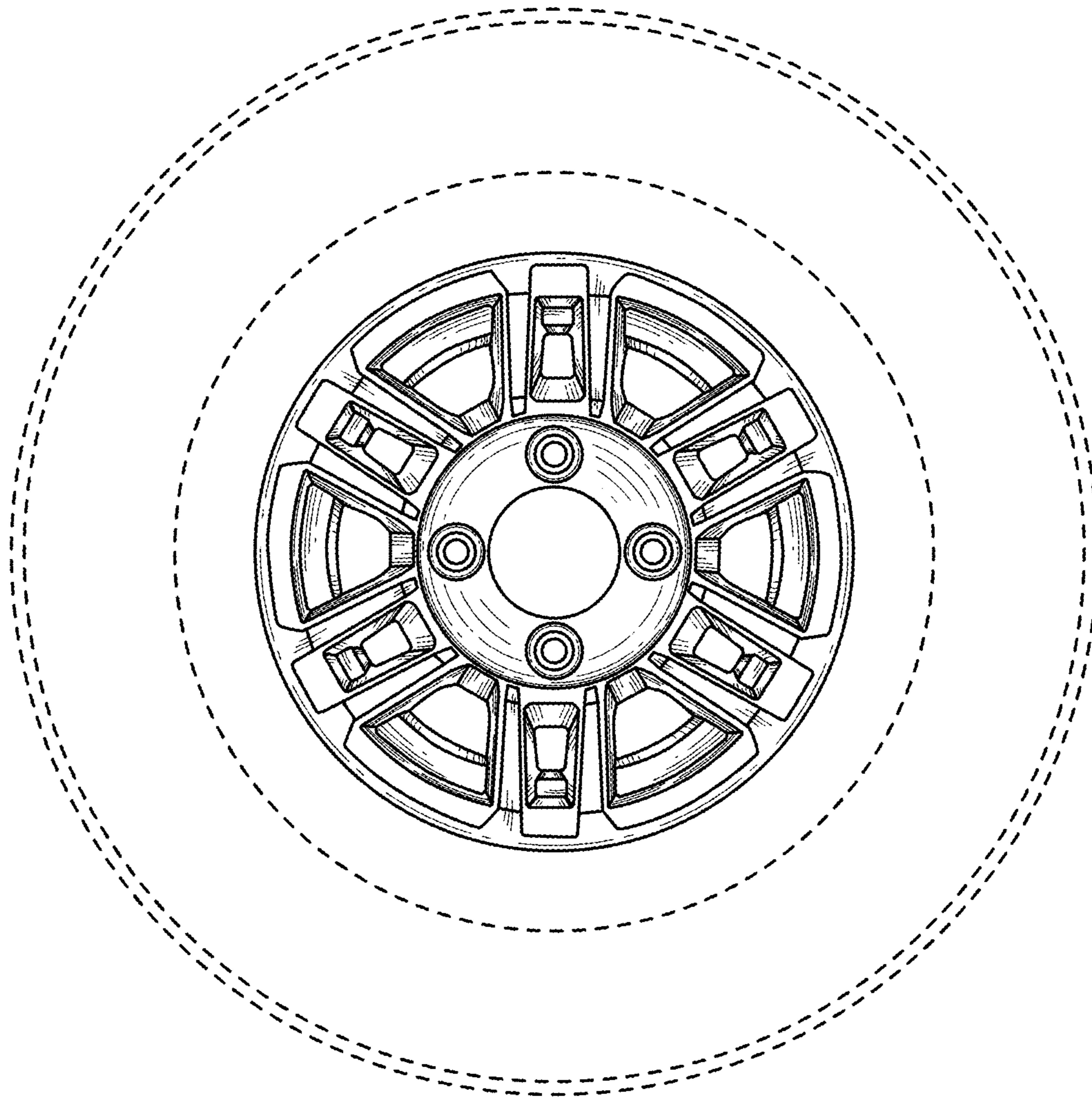


FIG. 2

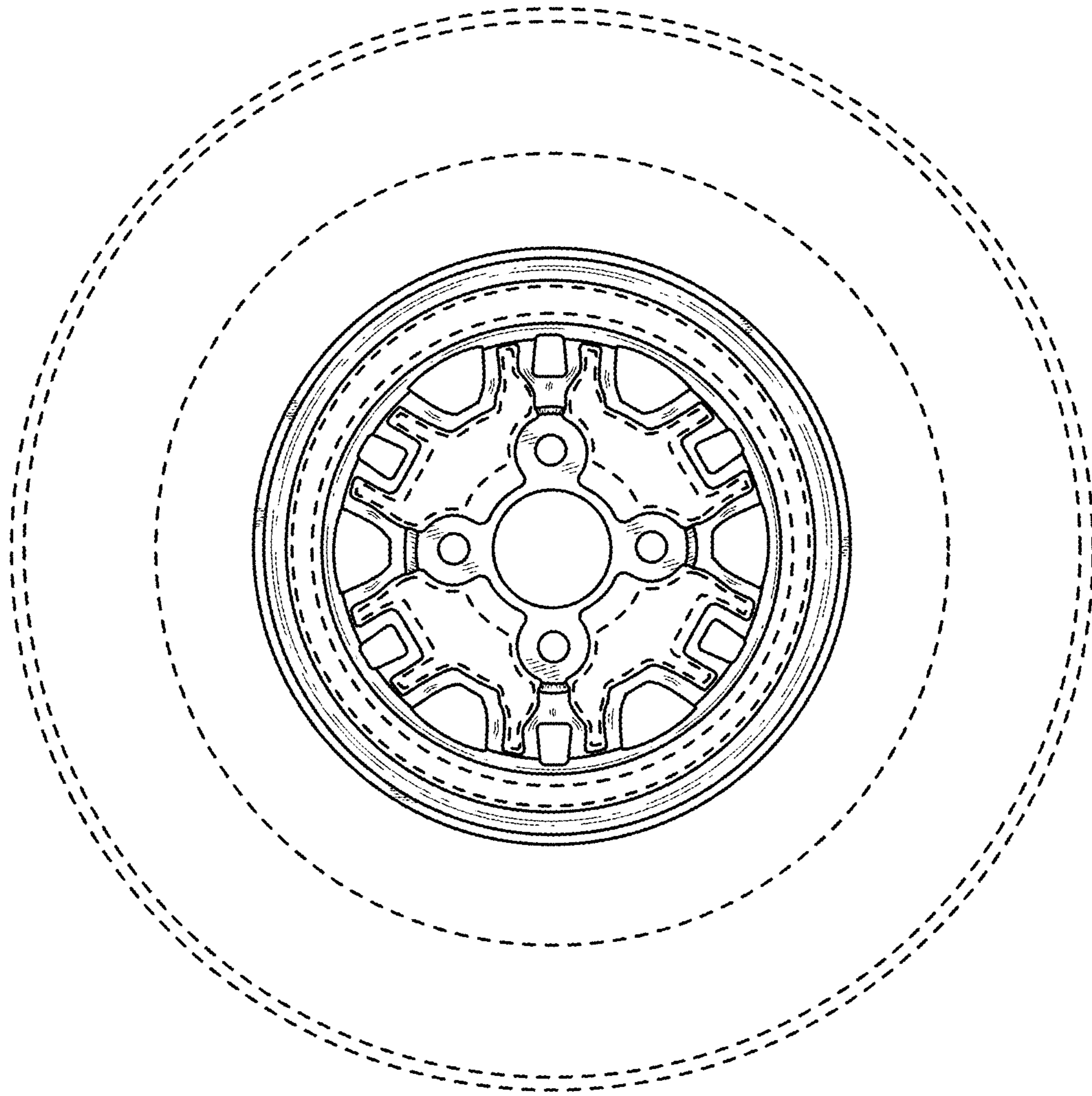


FIG. 3

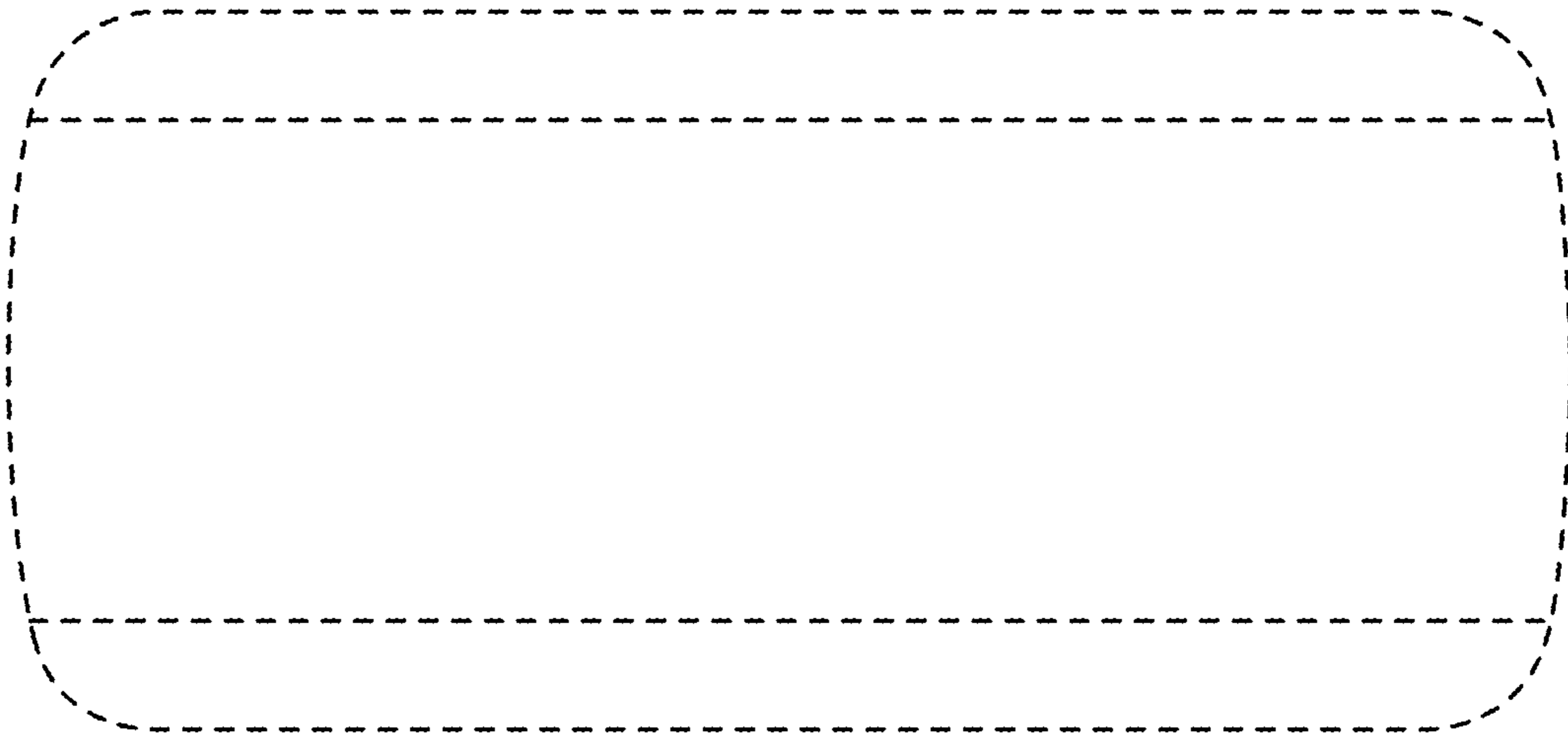


FIG. 4

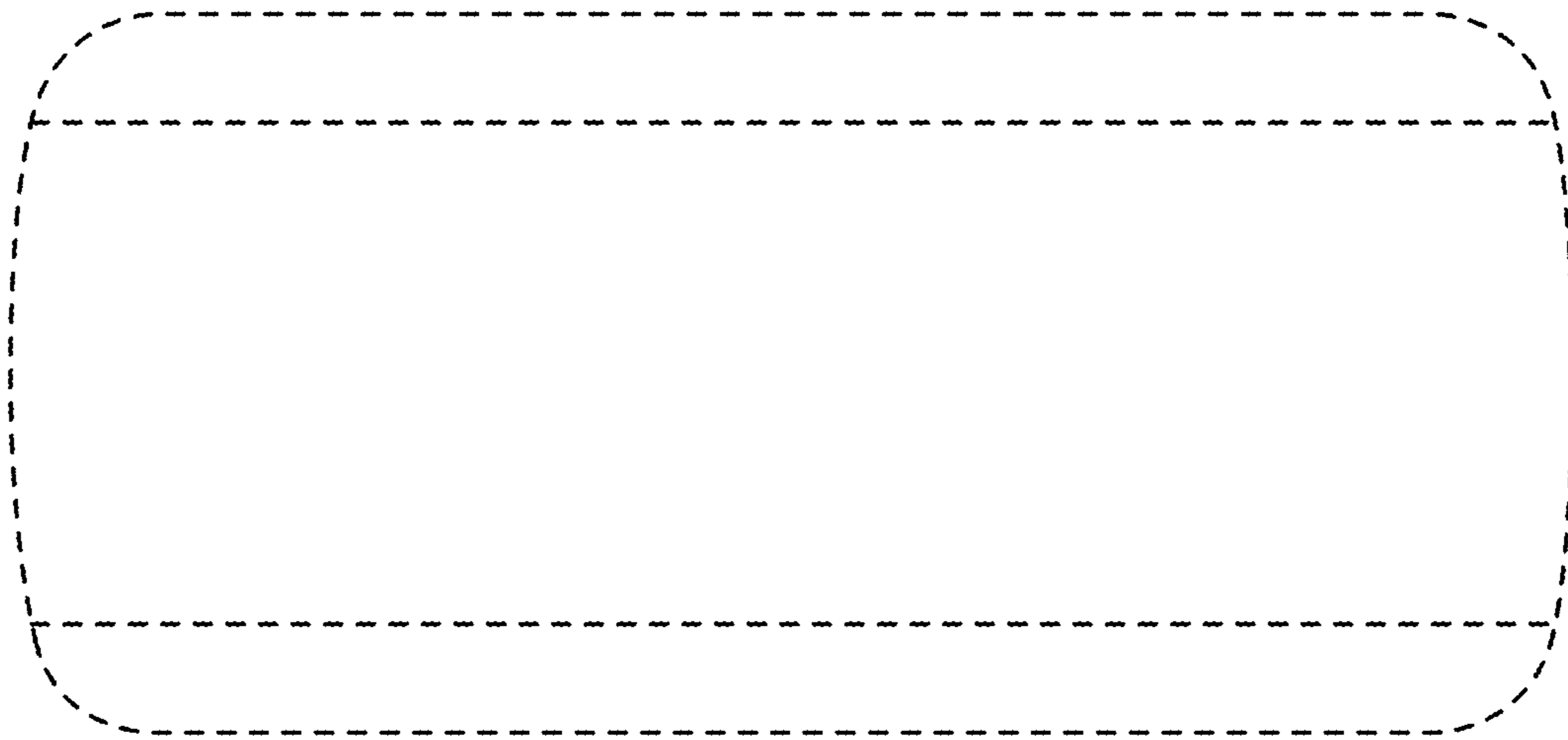


FIG. 5

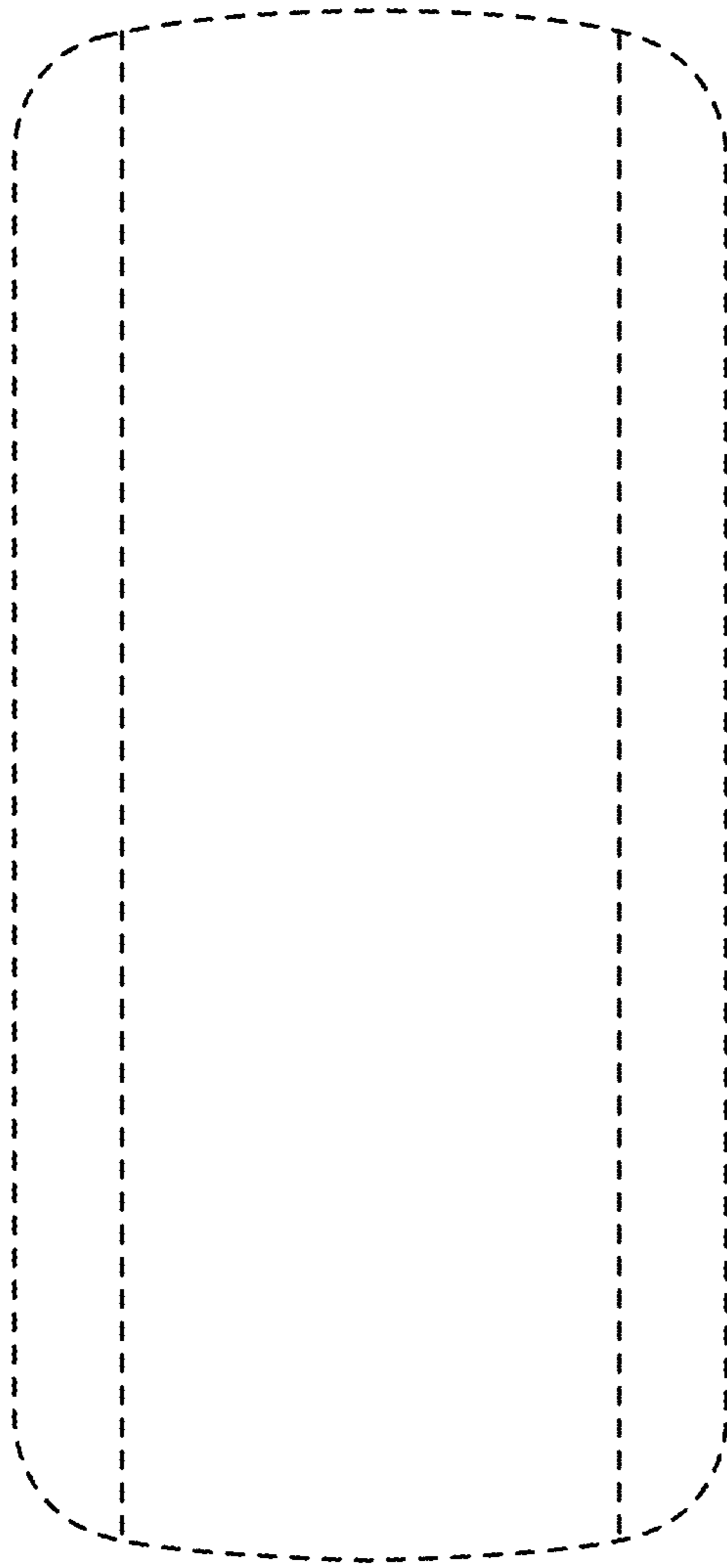


FIG. 6

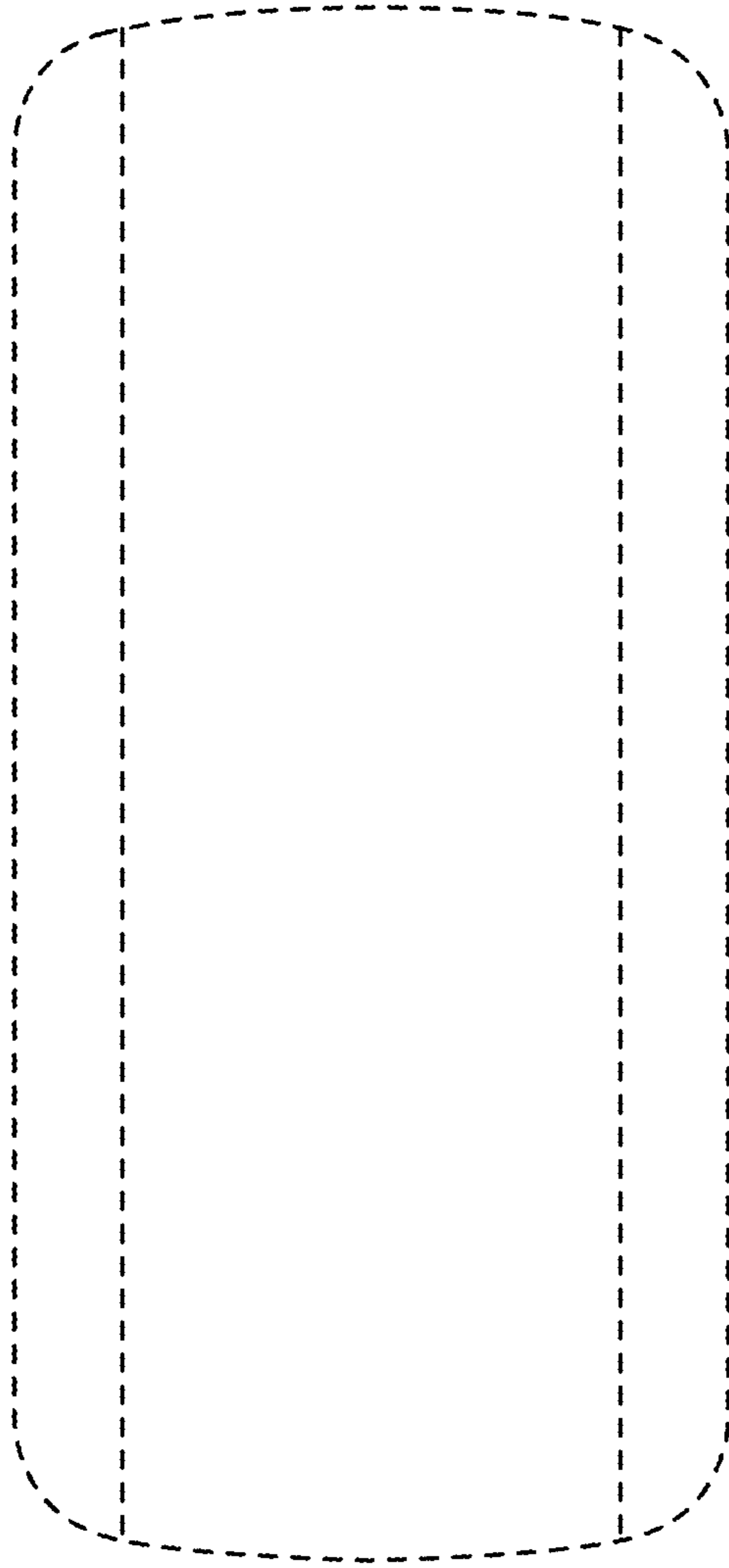


FIG. 7