



US00D917361S

(12) **United States Design Patent** (10) **Patent No.:** **US D917,361 S**
Lin et al. (45) **Date of Patent:** **** Apr. 27, 2021**

(54) **HUB**
(71) Applicant: **Gogoro Inc.**, Wanchai (HK)
(72) Inventors: **Shih-Yuan Lin**, Taoyuan (TW);
Hsin-Wen Su, Taoyuan (TW);
Po-Chang Yeh, Taoyuan (TW);
Liang-Yi Hsu, Taoyuan (TW)
(73) Assignee: **Gogoro Inc.**, Wanchai (HK)
(**) Term: **15 Years**
(21) Appl. No.: **29/692,442**
(22) Filed: **May 24, 2019**
(51) **LOC (13) Cl.** **12-16**
(52) **U.S. Cl.**
USPC **D12/207**
(58) **Field of Classification Search**
USPC D13/102–106, 110, 118–119, 184;
D12/204, 207, 214
CPC Y02E 60/12; Y02E 60/122; Y02E 60/124;
Y02E 60/50; H01M 2/02; H01M 2/022;
H01M 2/0202; H01M 2/0207; H01M
2/0212; H01M 2/1061; H01M 2/1022;
H01M 2/1055; H01M 2/1066; H01M
2/105; H01M 2/204; H01M 10/4257;
H01M 10/0436; H01M 10/48; B60B
27/00; B60B 27/02
See application file for complete search history.

(56) **References Cited**
U.S. PATENT DOCUMENTS
D335,677 S * 5/1993 Davis D15/138
D398,691 S * 9/1998 Bromley D12/207
D459,196 S * 6/2002 Stouffer D8/358
D539,718 S * 4/2007 Asano D12/207
D591,215 S * 4/2009 Weigand D12/207
D612,316 S * 3/2010 Sanschagrín D12/210
7,944,098 B2* 5/2011 Lin B62J 6/12
310/67 A

D721,315 S * 1/2015 Delavy D12/207
D773,973 S * 12/2016 Lin D12/207
9,707,801 B2* 7/2017 Fujita F16D 1/06
D823,212 S * 7/2018 Prasad D12/207
D844,526 S * 4/2019 Villamizar D12/207
10,601,176 B1* 3/2020 Chen B60L 53/80
D880,266 S * 4/2020 Knowlton D8/70
D883,889 S * 5/2020 Ostergaard D12/209
2011/0175433 A1* 7/2011 Chiang B60B 27/023
301/110.5
2013/0219681 A1* 8/2013 Rode B23P 11/00
29/407.05
2019/0185106 A1* 6/2019 Lin B60L 53/305

OTHER PUBLICATIONS

Gogoro unveils 26 lb Eeyo 1 electric bike, shows off innovative new Smartwheel, published on May 28, 2020, retrieved on Jun. 23, 2020, retrieved from the Internet URL: <https://electrek.co/2020/05/28/gogoro-eyeo-1-electric-bicycle-smartwheel-launch/>.*

* cited by examiner

Primary Examiner — Catherine S Posthauer
Assistant Examiner — Alison M Ofstun
(74) *Attorney, Agent, or Firm* — Banner & Witcoff, Ltd.

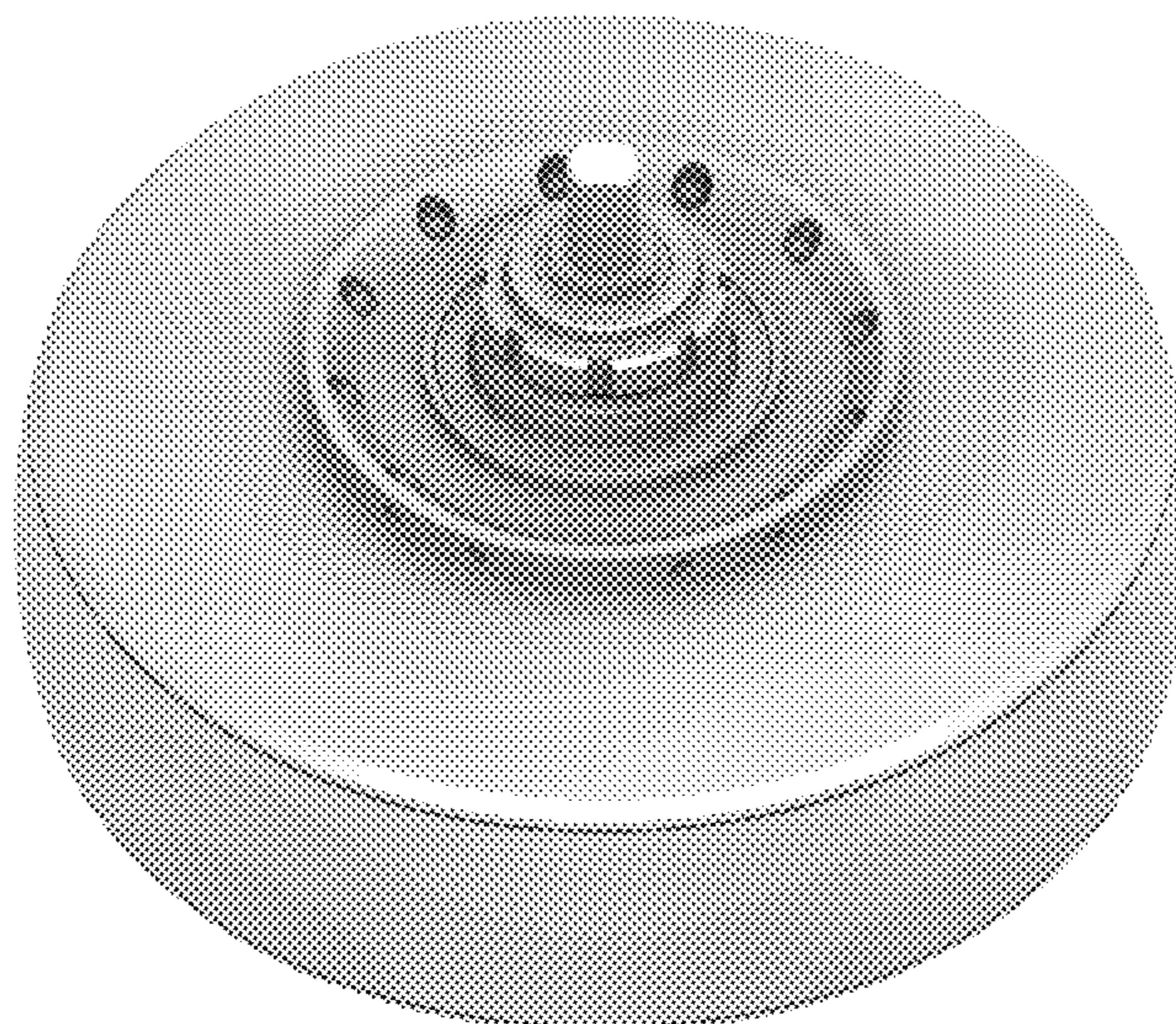
(57) **CLAIM**

The ornamental design for a hub, as shown and described.

DESCRIPTION

FIG. 1 is a front, perspective view of a hub showing our new design;
FIG. 2 is a front elevational view thereof;
FIG. 3 is a rear elevational view thereof;
FIG. 4 is a left side elevational view thereof;
FIG. 5 is a right side elevational view thereof;
FIG. 6 is a top plan view thereof;
FIG. 7 is a bottom plan view thereof; and,
FIG. 8 is a rear, perspective view thereof.

1 Claim, 8 Drawing Sheets



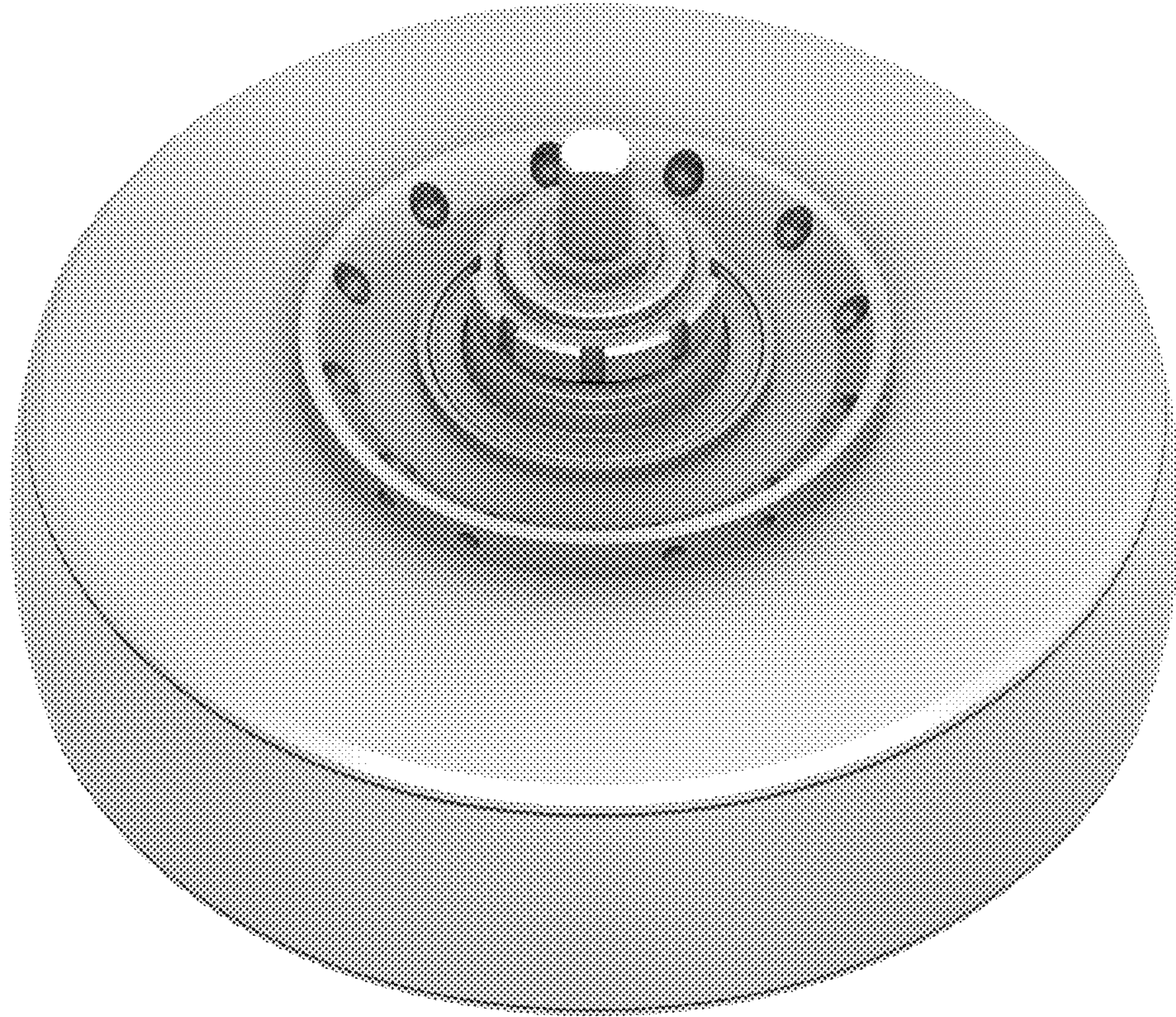


Fig. 1

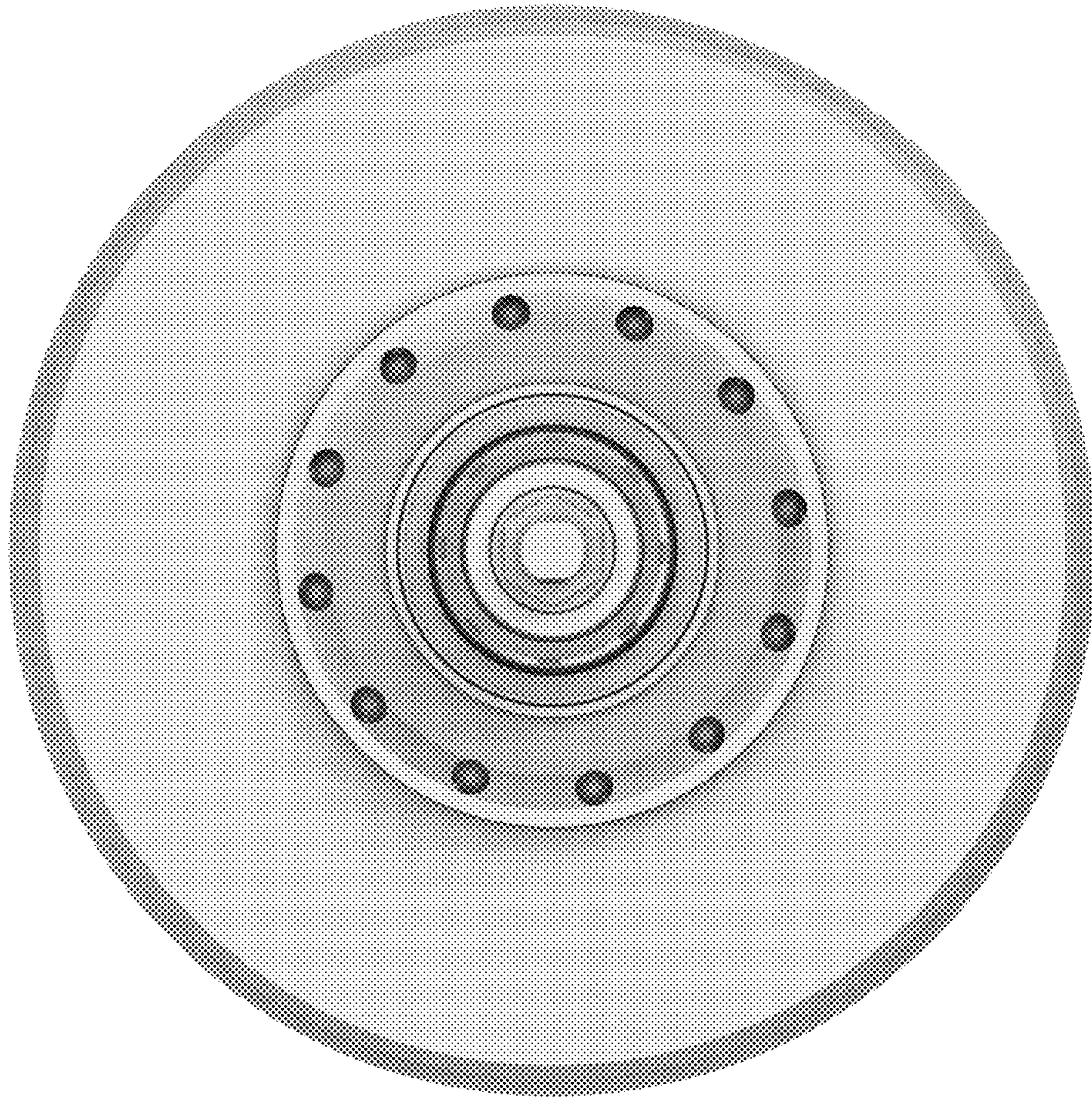


Fig. 2

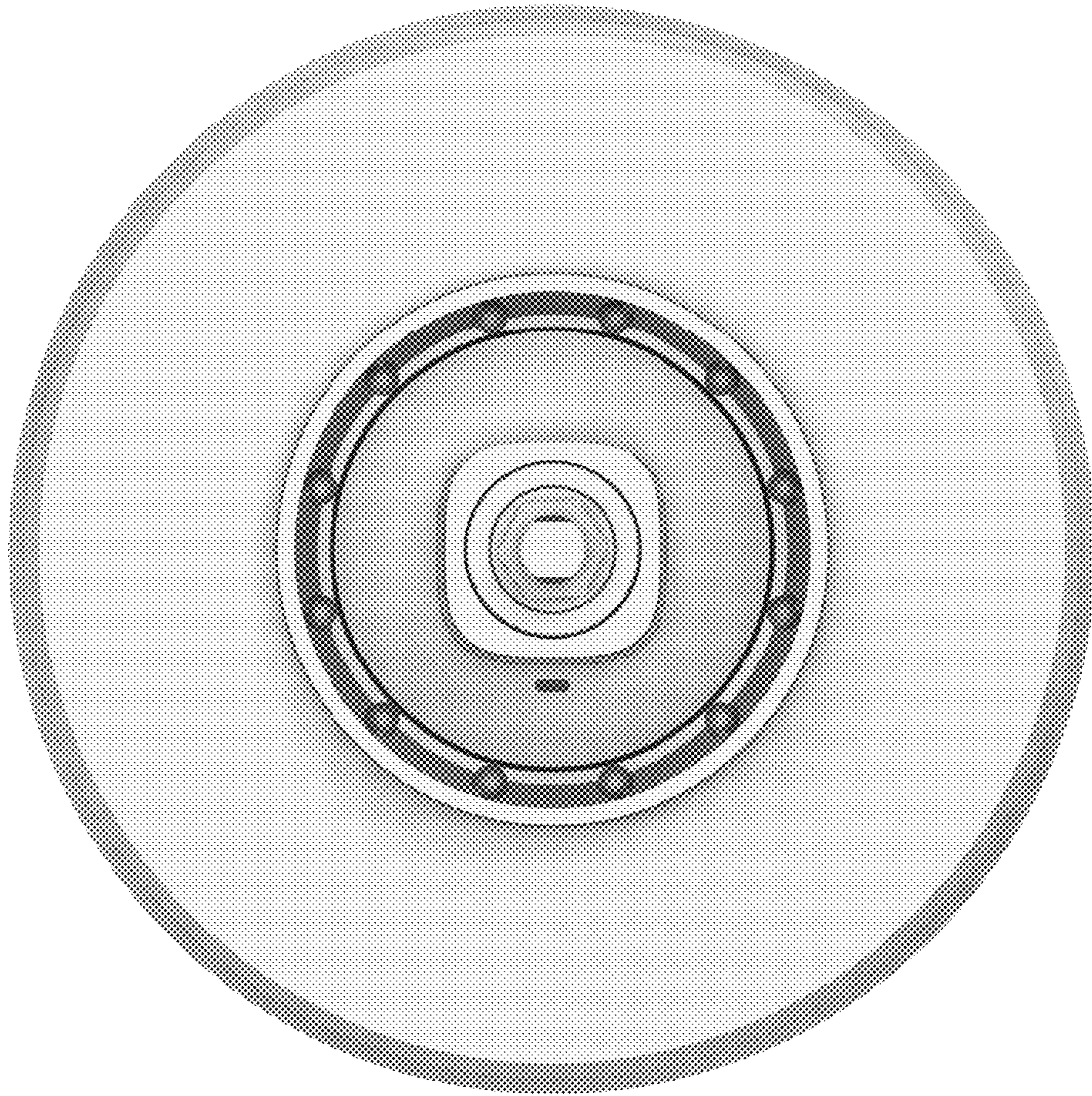


Fig. 3

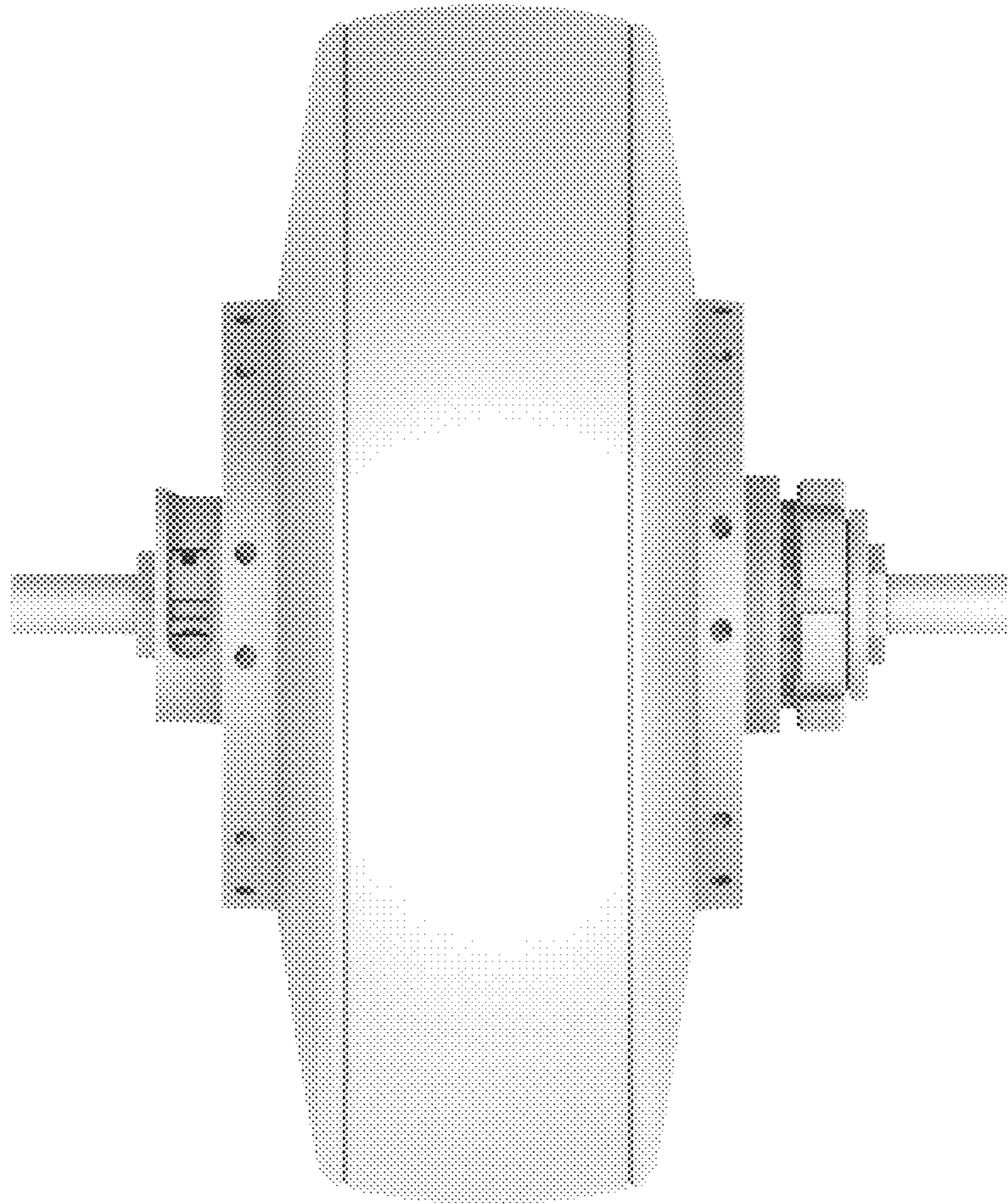


Fig. 4

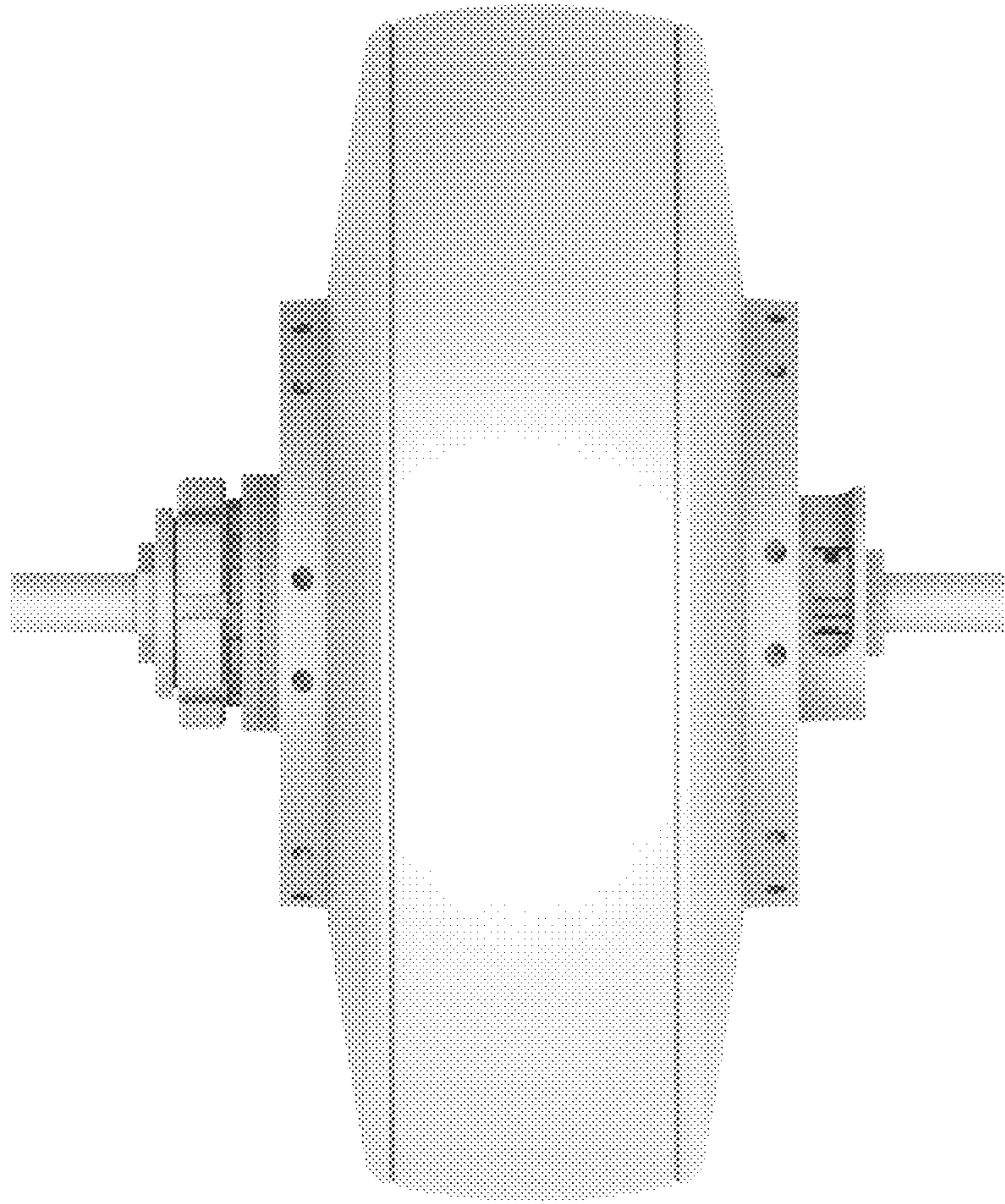


Fig. 5

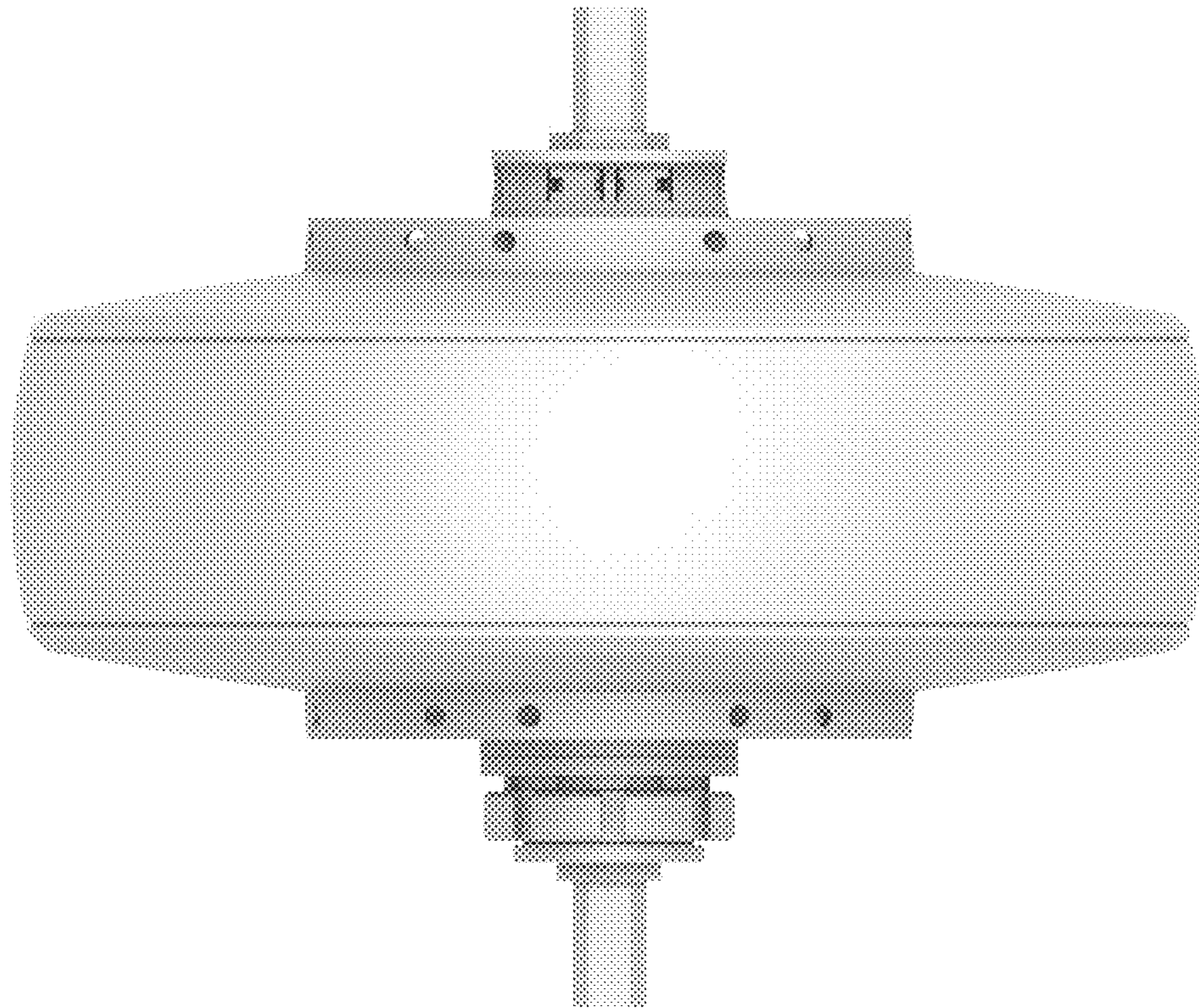


Fig. 6

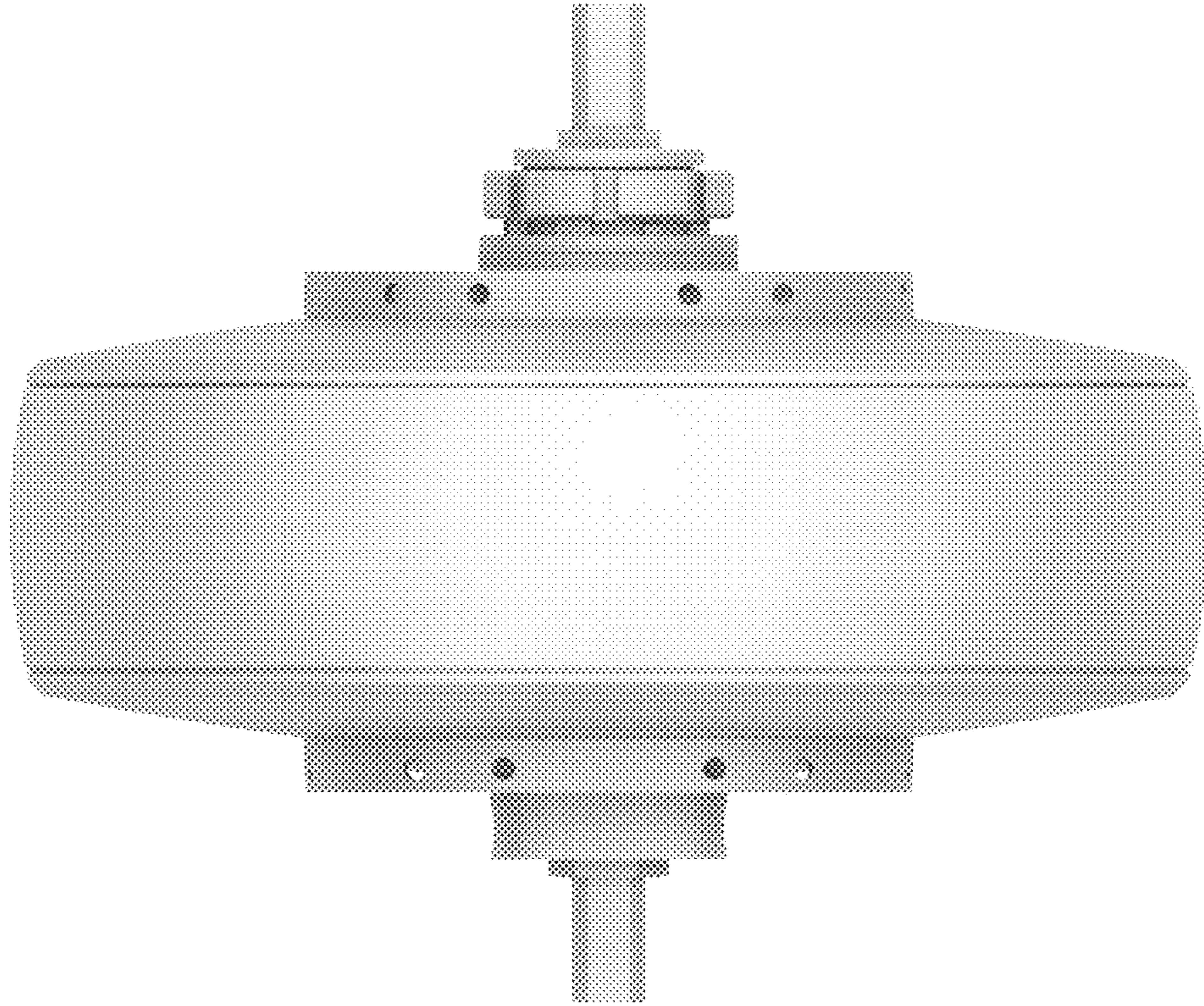


Fig. 7



Fig. 8