



US00D917360S

(12) **United States Design Patent**  
**Manzoni**

(10) **Patent No.:** **US D917,360 S**

(45) **Date of Patent:** **\*\* Apr. 27, 2021**

(54) **PORTIONS OF REAR FENDER AND REAR WHEELBOXES FOR A VEHICLE OR TOY VEHICLE**

(71) Applicant: **Ferrari S.p.A.**, Modena (IT)

(72) Inventor: **Flavio Manzoni**, Maranello (IT)

(73) Assignee: **FERRARI S.p.A.**, Modena (IT)

(\*\*) Term: **15 Years**

(21) Appl. No.: **29/705,376**

(22) Filed: **Sep. 11, 2019**

(30) **Foreign Application Priority Data**

Mar. 15, 2019 (EM) ..... 006307054

(51) **LOC (13) Cl.** ..... **12-06**

(52) **U.S. Cl.**  
USPC ..... **D12/196**

(58) **Field of Classification Search**  
USPC ..... D12/86, 90, 91, 92, 163, 169, 171, 196,  
D12/216; D3/318

CPC ..... B60R 19/02; B60R 19/04; B62D 25/00;  
B62D 25/06; B62D 25/08; B62D 35/00

See application file for complete search history.

(56) **References Cited**

**U.S. PATENT DOCUMENTS**

- D728,239 S \* 5/2015 Sanz ..... D3/318
- 9,637,185 B2 \* 5/2017 Kishima ..... B62D 37/02
- 10,118,648 B2 \* 11/2018 Hallik ..... B62D 25/087
- 10,245,932 B1 \* 4/2019 Suzuki ..... B62D 21/152
- 10,252,753 B2 \* 4/2019 Johnson ..... B62D 25/18
- D848,911 S \* 5/2019 De Leon ..... D12/169
- 10,300,958 B2 \* 5/2019 Kato ..... B62D 25/08
- D853,905 S \* 7/2019 Betancourt ..... D12/169
- D855,528 S \* 8/2019 Re ..... D12/196
- D865,588 S \* 11/2019 Hong ..... D12/169

- D867,234 S \* 11/2019 Peplowski ..... D12/169
- D871,259 S \* 12/2019 Yamashita ..... D12/91
- D871,279 S \* 12/2019 Tonello ..... D12/169
- D875,607 S \* 2/2020 Iida ..... D12/92
- D877,658 S \* 3/2020 Burki ..... D12/91
- D882,468 S \* 4/2020 Sperling ..... D12/169
- D885,266 S \* 5/2020 Kezha ..... D12/169
- D887,327 S \* 6/2020 Zurian ..... D12/169
- D887,915 S \* 6/2020 Davidson ..... D12/169
- D890,043 S \* 7/2020 Choi ..... D12/169
- D891,107 S \* 7/2020 Paik ..... D3/318

(Continued)

*Primary Examiner* — Brett Miller

*Assistant Examiner* — Suzanne E Tisdell

(74) *Attorney, Agent, or Firm* — Cowan, Liebowitz & Latman, P.C.; Anastasia Zhadina

(57) **CLAIM**

The ornamental design for portions of rear fender and rear wheelboxes for a vehicle or toy vehicle, as shown and described.

**DESCRIPTION**

FIG. 1 is a rear perspective view of the portions of rear fender and rear wheelboxes for a vehicle or toy vehicle showing my design;

FIG. 2 is a front perspective view thereof;

FIG. 3 is a front view thereof;

FIG. 4 is a side view thereof, with the opposite side views being mirror images of one another;

FIG. 5 is a top view thereof;

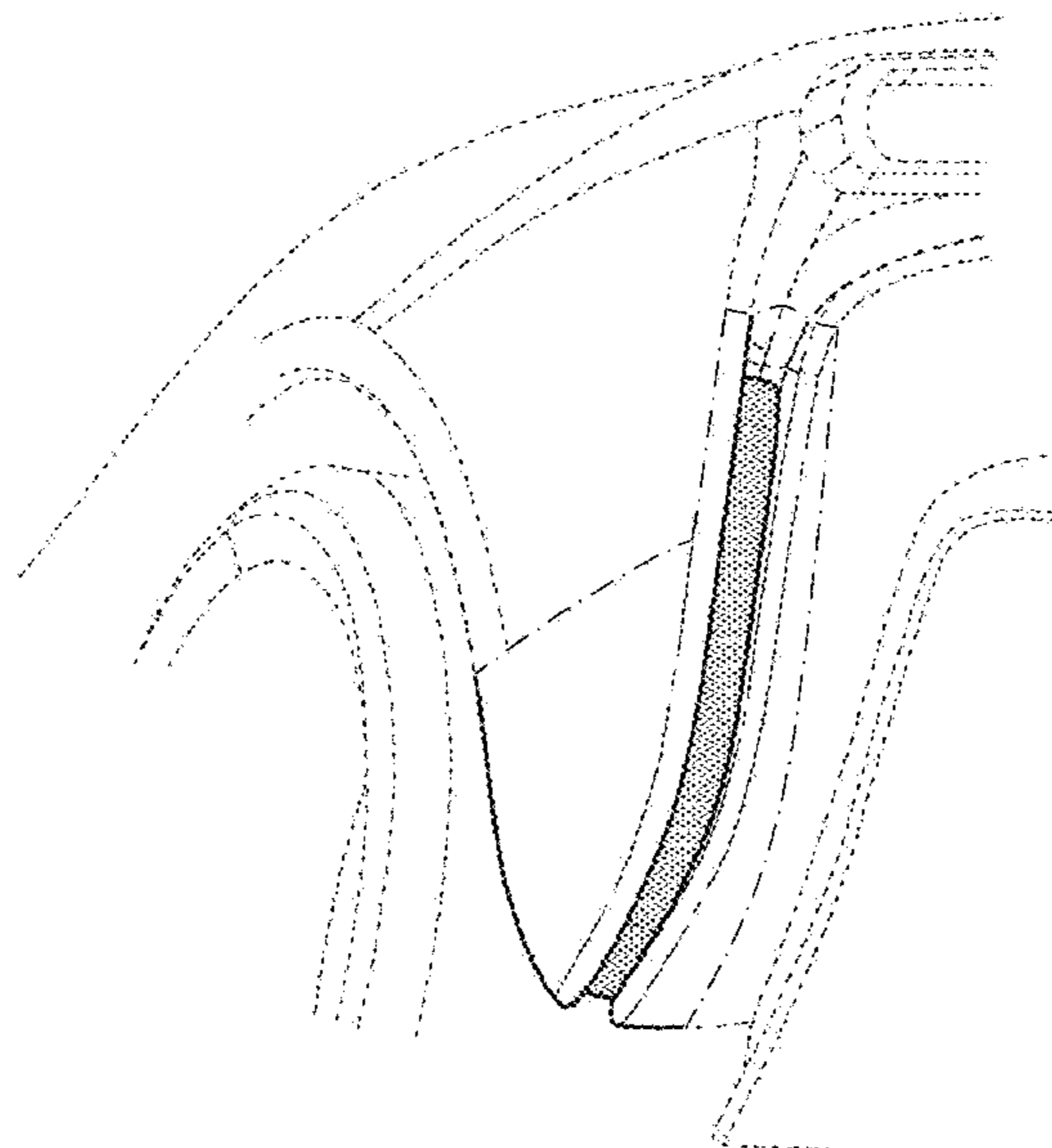
FIG. 6 is a bottom view thereof; and,

FIG. 7 is another front perspective view of an enlarged portion thereof.

Evenly-spaced broken lines showing portions of the vehicle/toy vehicle are included for purpose of illustrating environment and form no part of the claimed design. Dot-dash pattern broken lines form a boundary of the claimed design.

The line itself forms no part of the claimed design.

**1 Claim, 7 Drawing Sheets**



(56)

**References Cited**

U.S. PATENT DOCUMENTS

D891,320 S \* 7/2020 Metros ..... D12/169  
D896,712 S \* 9/2020 Lu ..... D12/169  
D897,199 S \* 9/2020 Armistead ..... D9/434

\* cited by examiner

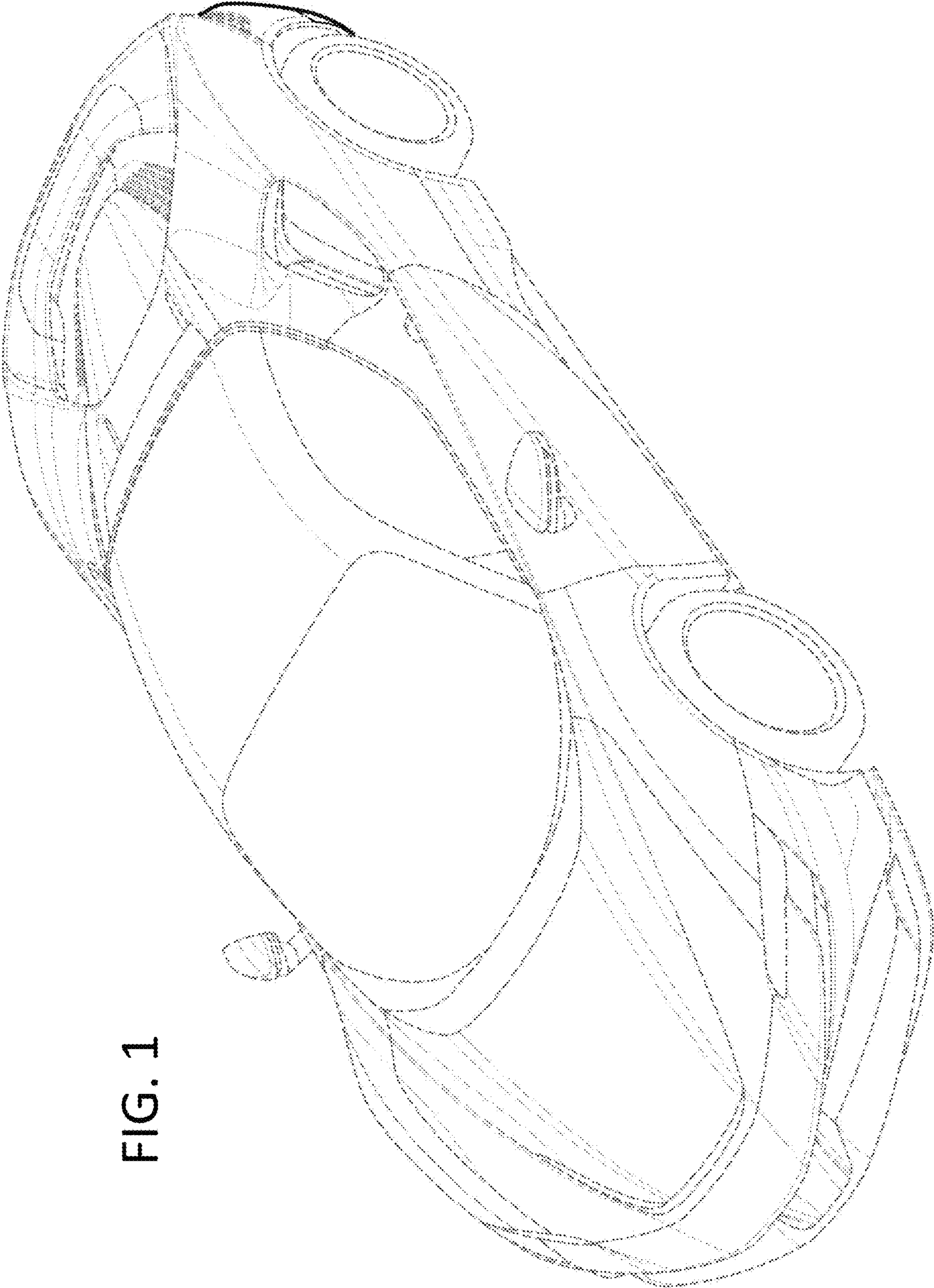


FIG. 1

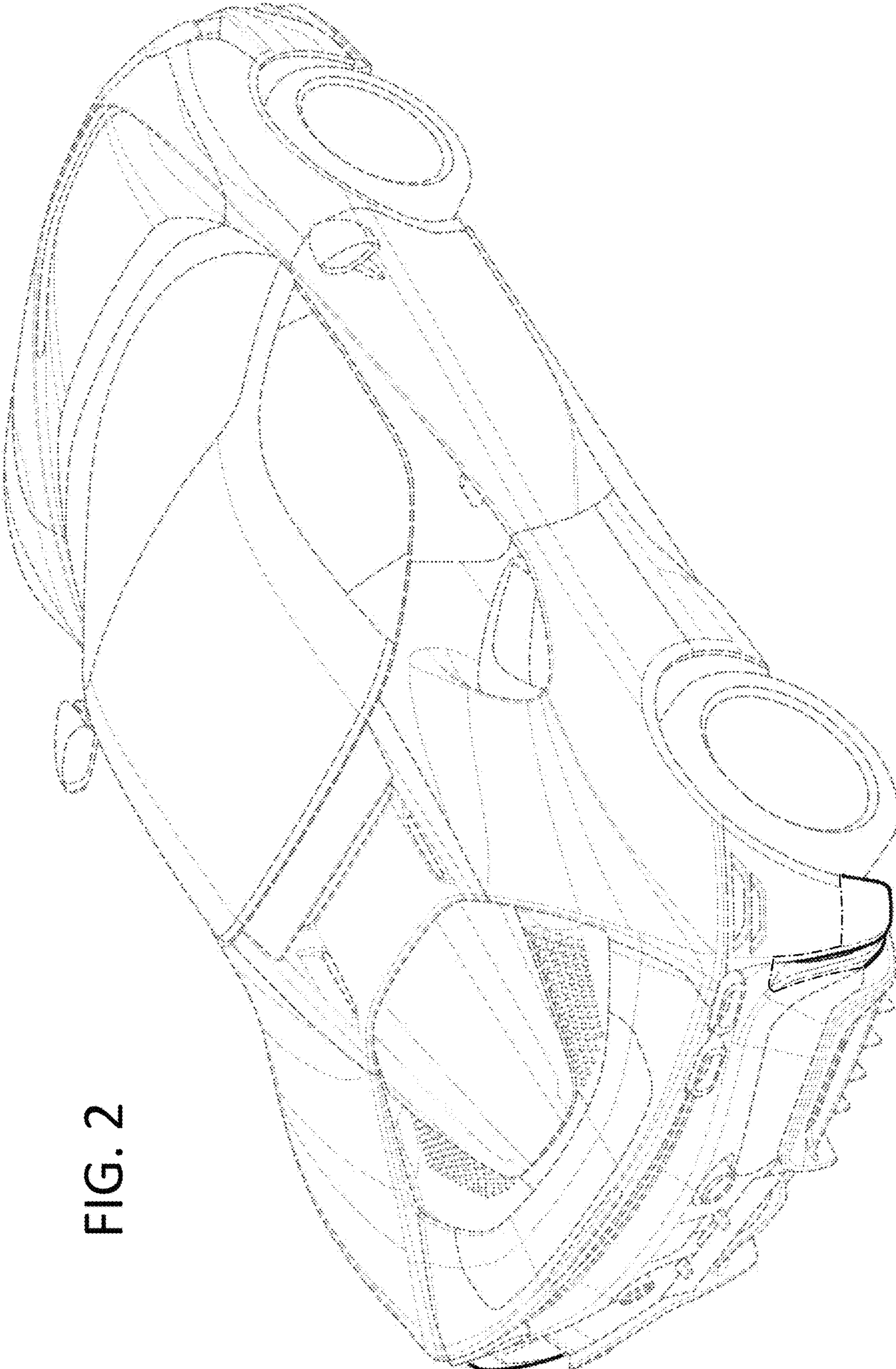


FIG. 2

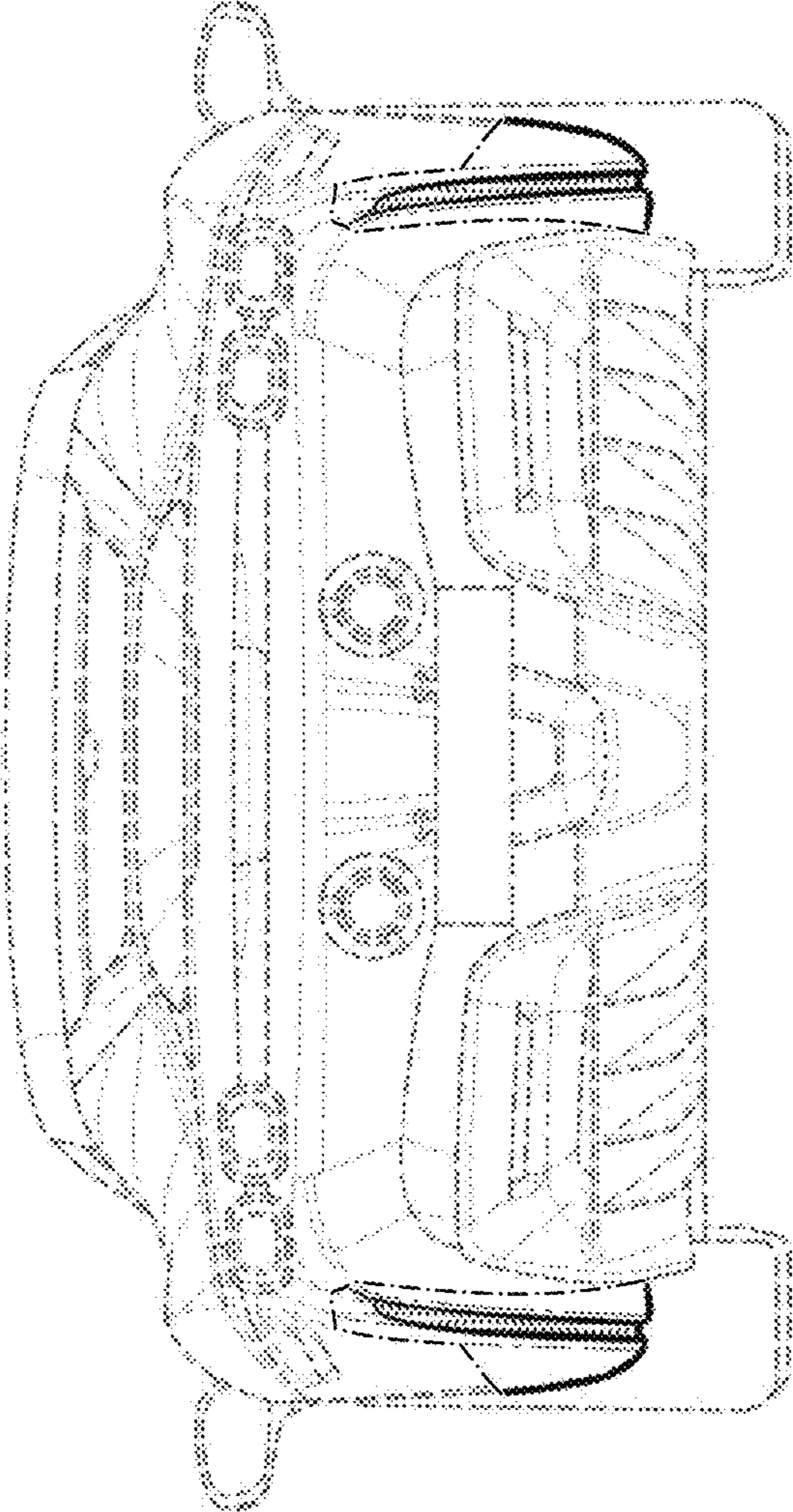


FIG. 3

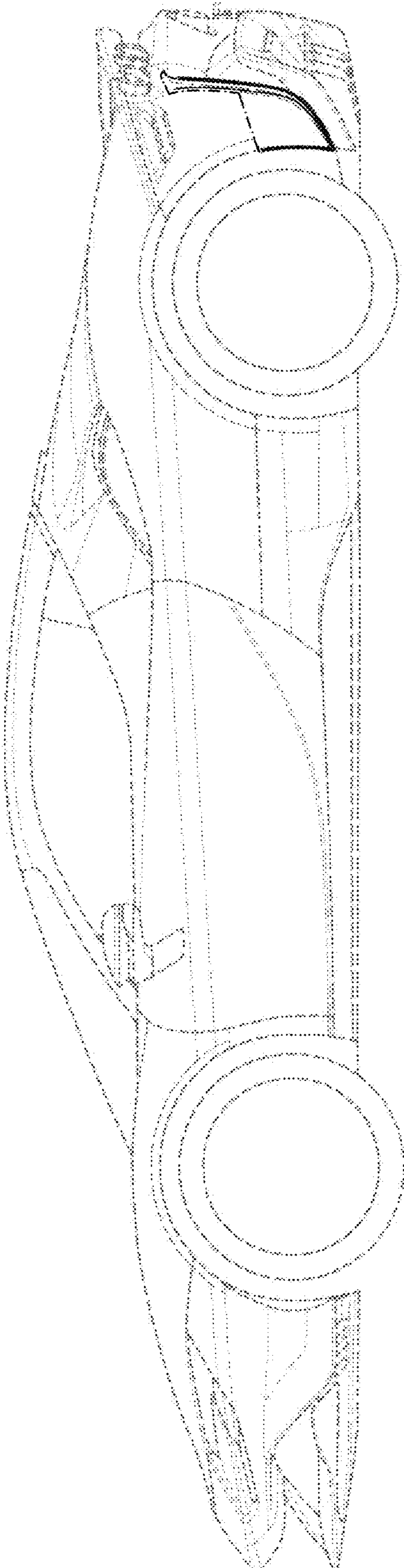


FIG. 4

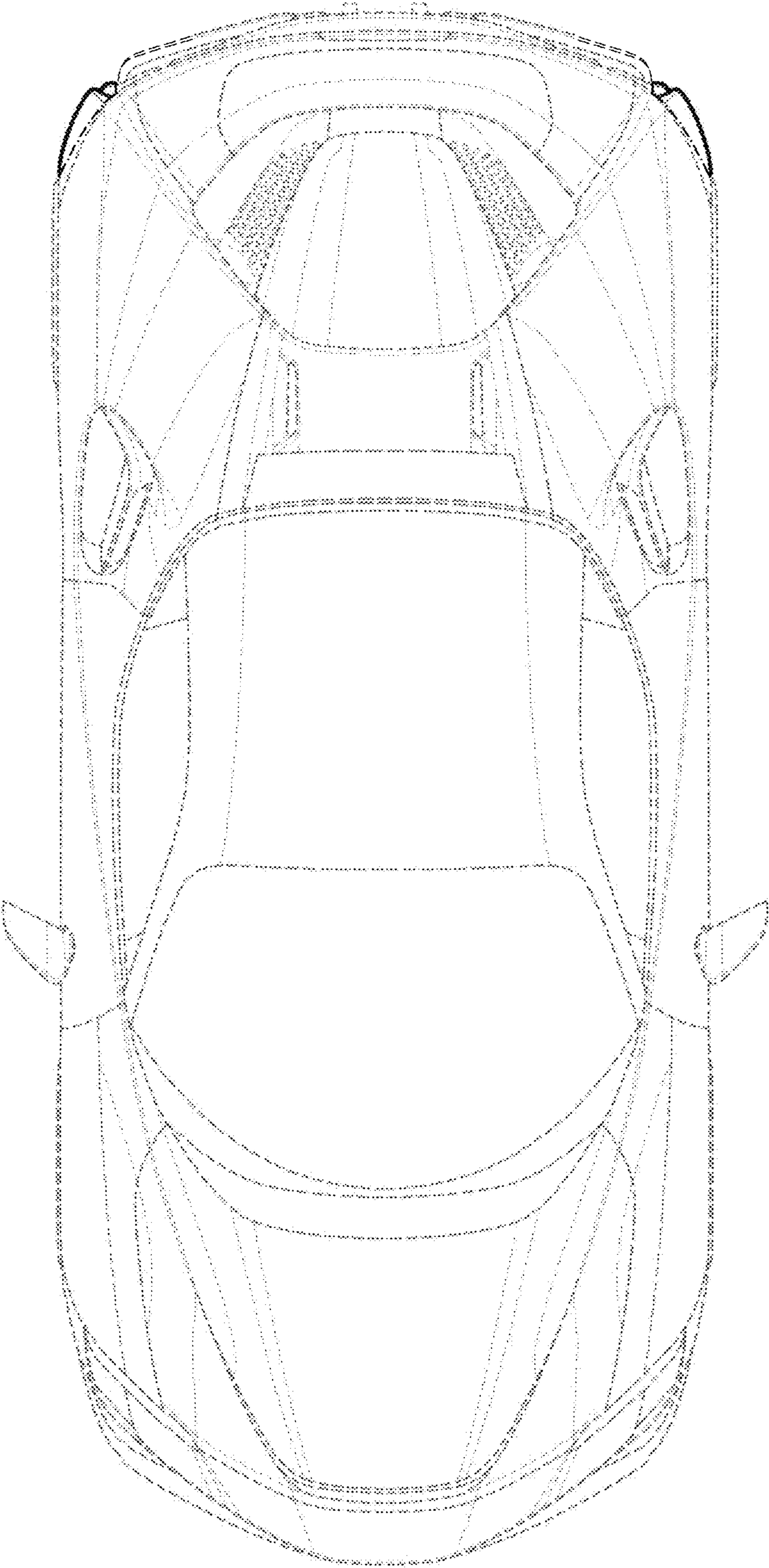


FIG. 5

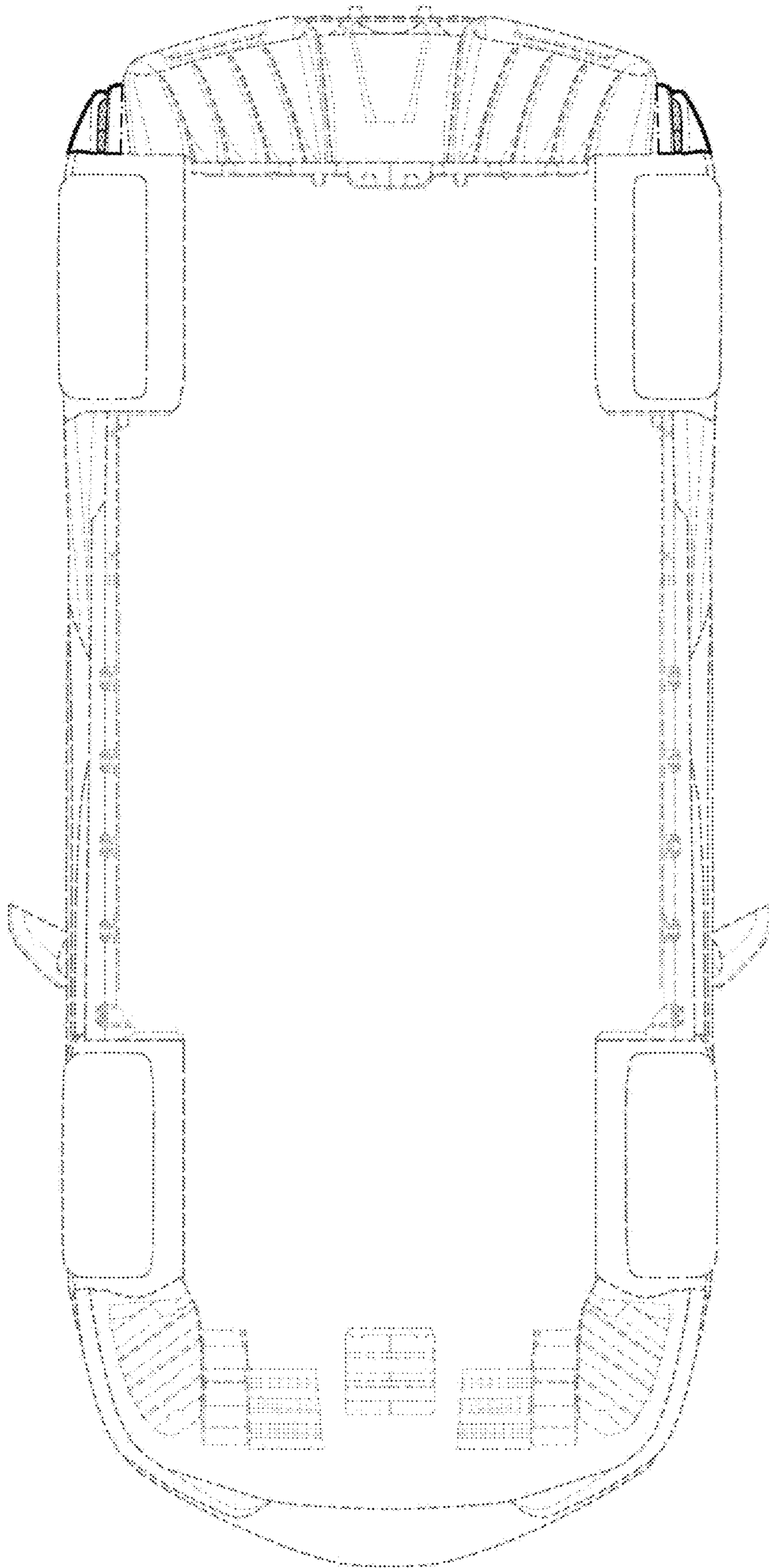


FIG. 6



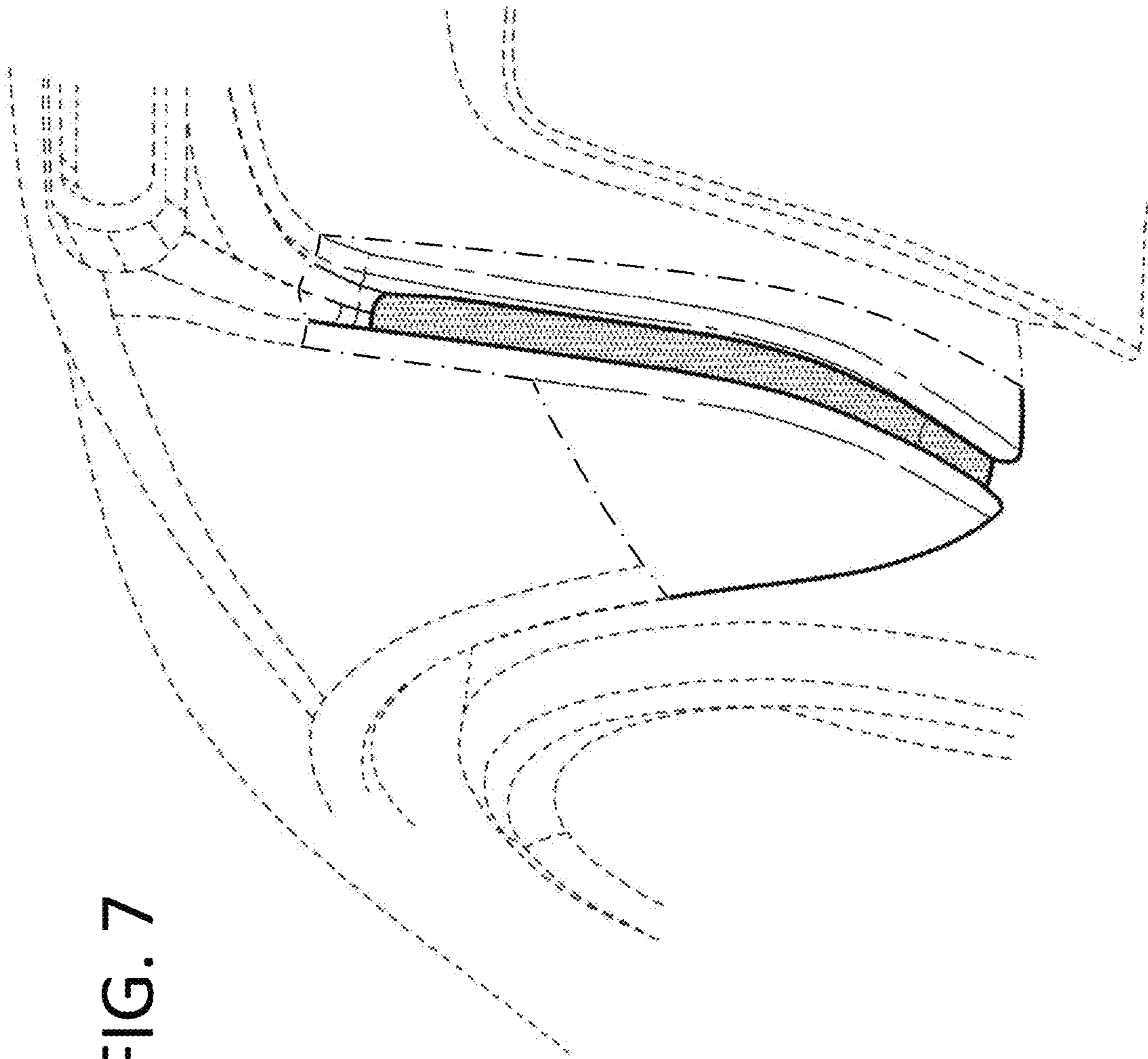


FIG. 7