



US00D917358S

(12) **United States Design Patent** (10) **Patent No.:** **US D917,358 S**
Matsuda et al. (45) **Date of Patent:** **** Apr. 27, 2021**

(54) **INSTRUMENT PANEL FOR AUTOMOBILE**
(71) Applicant: **Nissan Motor Co., Ltd.**, Kanagawa (JP)
(72) Inventors: **Masahiro Matsuda**, Guangzhou (CN); **Daniel Schlapp**, London (GB)
(73) Assignee: **Nissan Motor Co., Ltd.**, Yokohama (JP)
(**) Term: **15 Years**

D824,306 S * 7/2018 Joyce D12/192
D837,117 S * 1/2019 Manzoni D12/192
D847,055 S * 4/2019 De Vienne D12/192
D847,058 S * 4/2019 Ohtake D12/192
D853,918 S * 7/2019 Satou D12/192
D858,390 S * 9/2019 Kato D12/192
D895,500 S * 9/2020 Nakao D12/192
D904,261 S * 12/2020 Hanaoka D12/192
2001/0030435 A1 * 10/2001 Burns B60K 37/00
296/24.3
2015/0321561 A1 * 11/2015 Webb B60K 37/00
296/70
2015/0321704 A1 * 11/2015 Marchetti B62D 27/026
296/70

(21) Appl. No.: **29/709,097**
(22) Filed: **Oct. 11, 2019**

* cited by examiner

(30) **Foreign Application Priority Data**
Apr. 12, 2019 (JP) 2019-008081

Primary Examiner — Carla J Wright
Assistant Examiner — Jerry Shiu-Hua Hsu
(74) *Attorney, Agent, or Firm* — Global IP Counselors, LLP

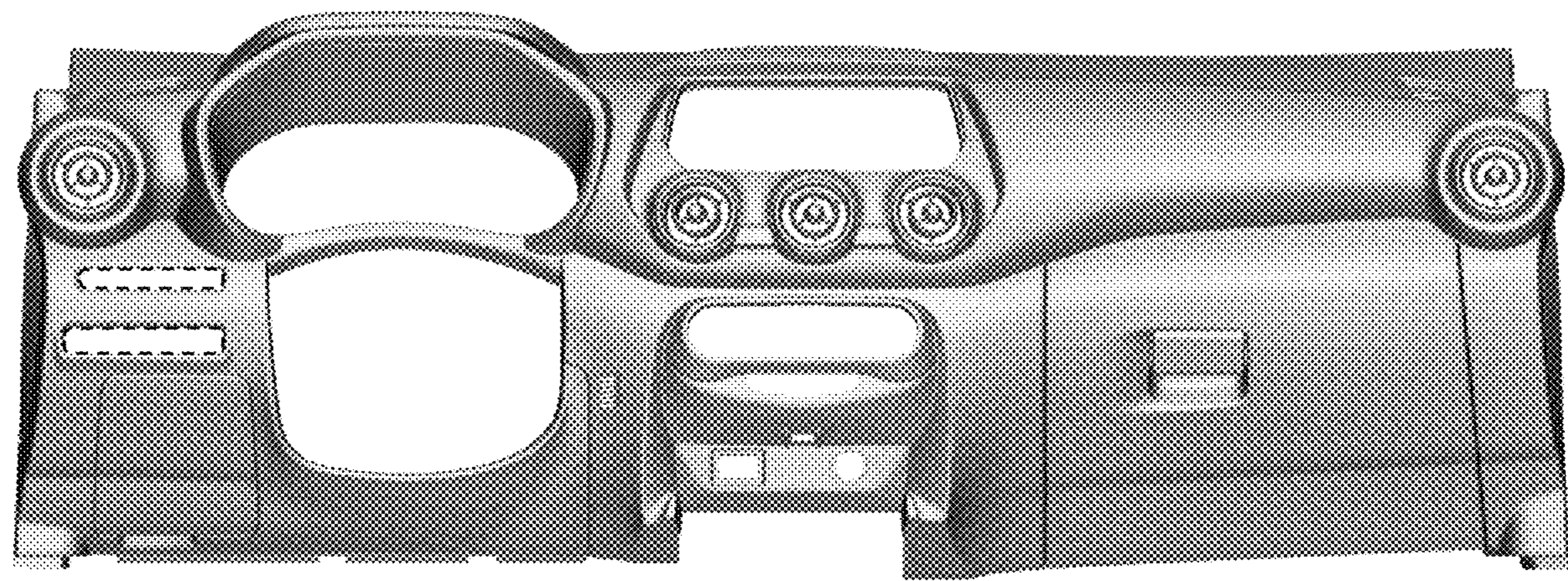
(51) **LOC (13) Cl.** **12-16**
(52) **U.S. Cl.**
USPC **D12/192**
(58) **Field of Classification Search**
USPC D12/192, 415, 114, 345, 195; D15/17, D15/28
CPC B60H 1/34; B60H 1/3407; B60H 1/3414; B60H 1/3421; B60H 1/3428; B60H 1/3435; B60H 1/3442; B60H 1/345; B60H 1/3457; B60R 7/01; B60R 7/02; B60R 7/04; B60K 37/00; B62D 27/026
See application file for complete search history.

(57) **CLAIM**
The ornamental design for an instrument panel for an automobile, as shown and described.

(56) **References Cited**
U.S. PATENT DOCUMENTS
D697,460 S * 1/2014 Matsuda D12/192
D791,664 S * 7/2017 Igarashi D12/192
D812,536 S * 3/2018 Matsuda D12/192

DESCRIPTION
FIG. 1 is a front elevational view of an instrument panel for automobile in accordance with our new design, a second embodiment that is a mirror image thereof is not shown; FIG. 2 is a top plan view thereof; FIG. 3 is a bottom plan view thereof; FIG. 4 is a left side elevational view thereof; FIG. 5 is a right side elevational view thereof; FIG. 6 is a front, top, left perspective view thereof; and, FIG. 7 is a front, top, right perspective view thereof. The broken lines illustrate portions of the instrument panel for automobile that form no part of the claimed design.

1 Claim, 7 Drawing Sheets



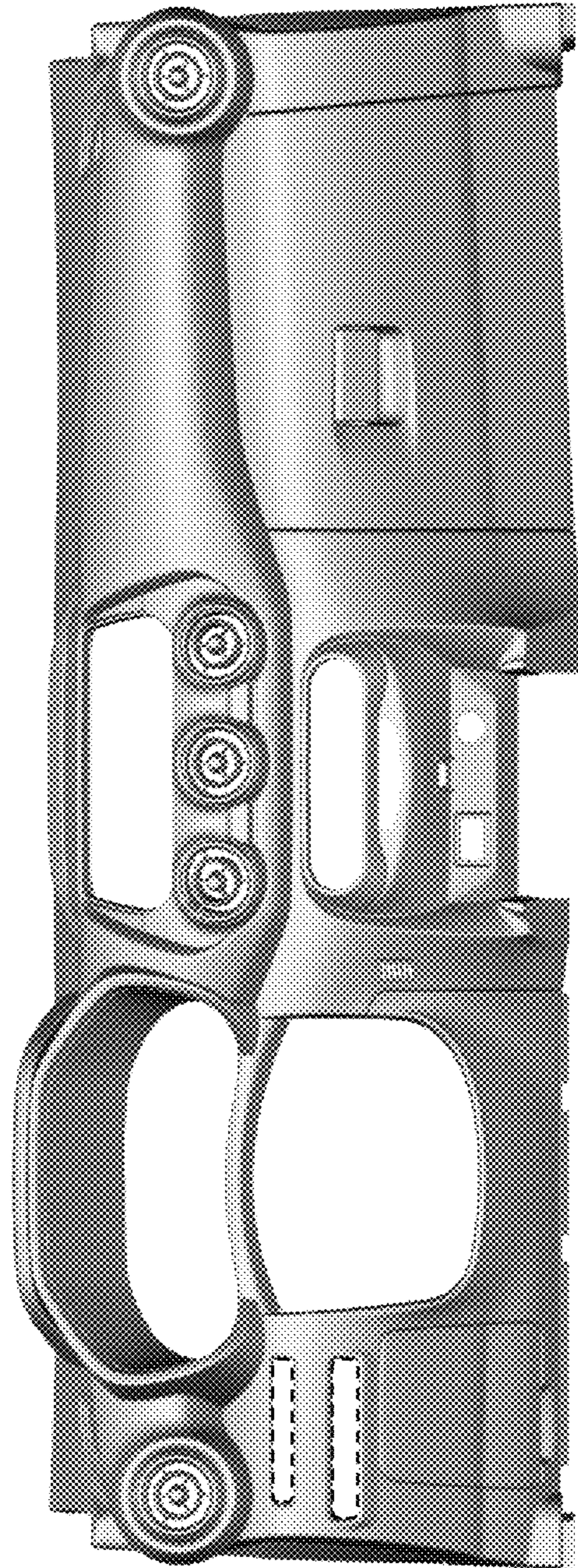


FIG. 1

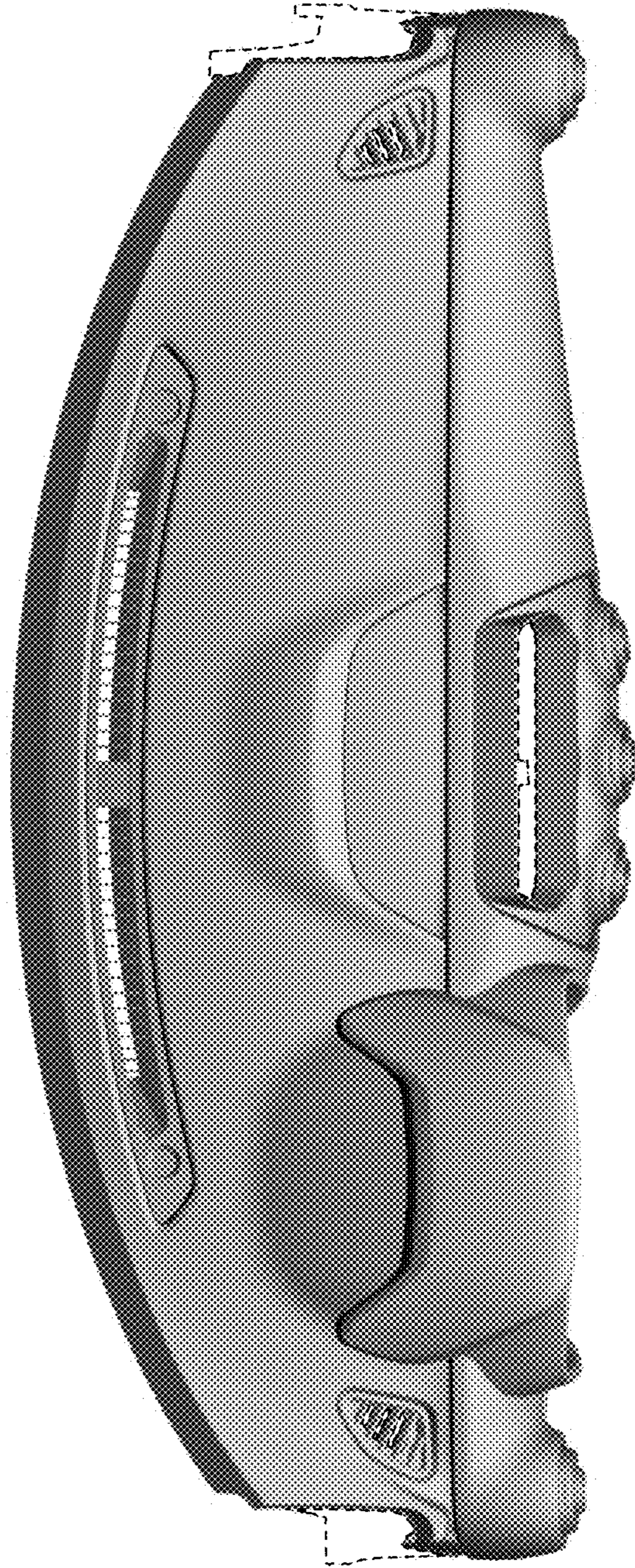


FIG. 2

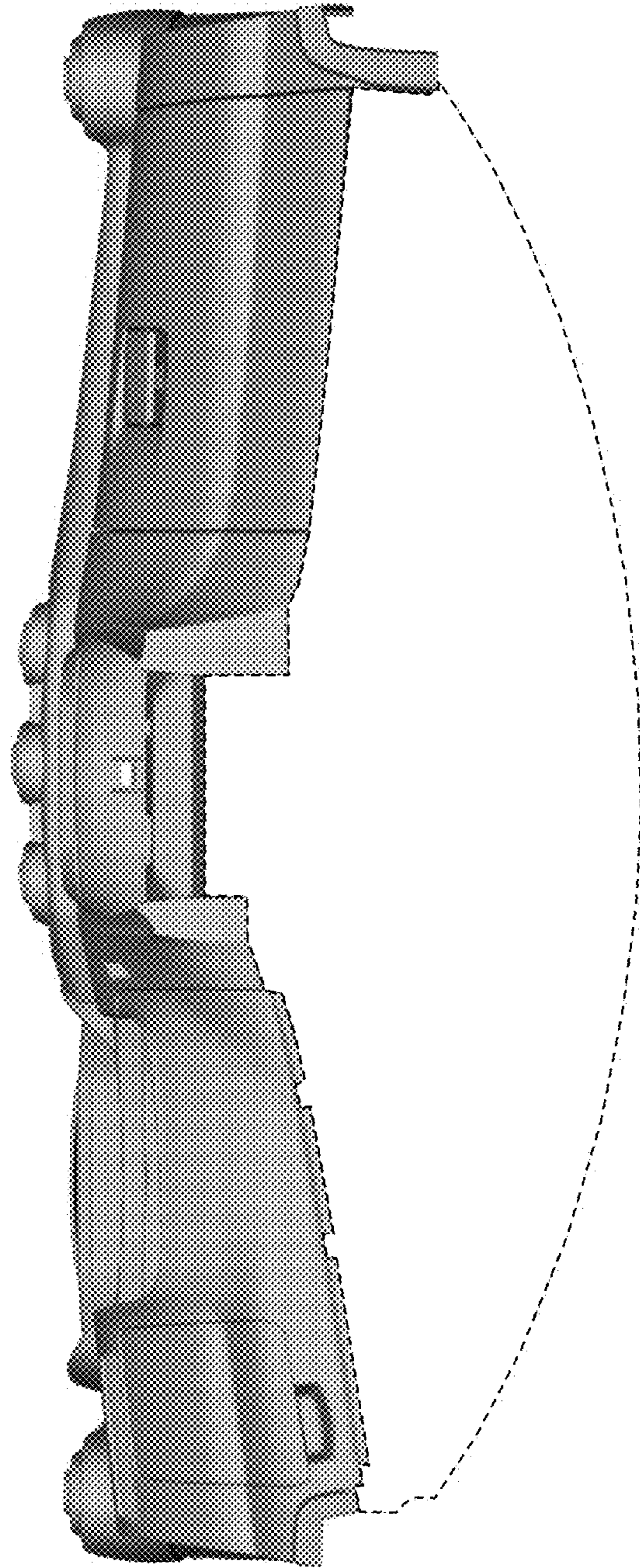


FIG. 3

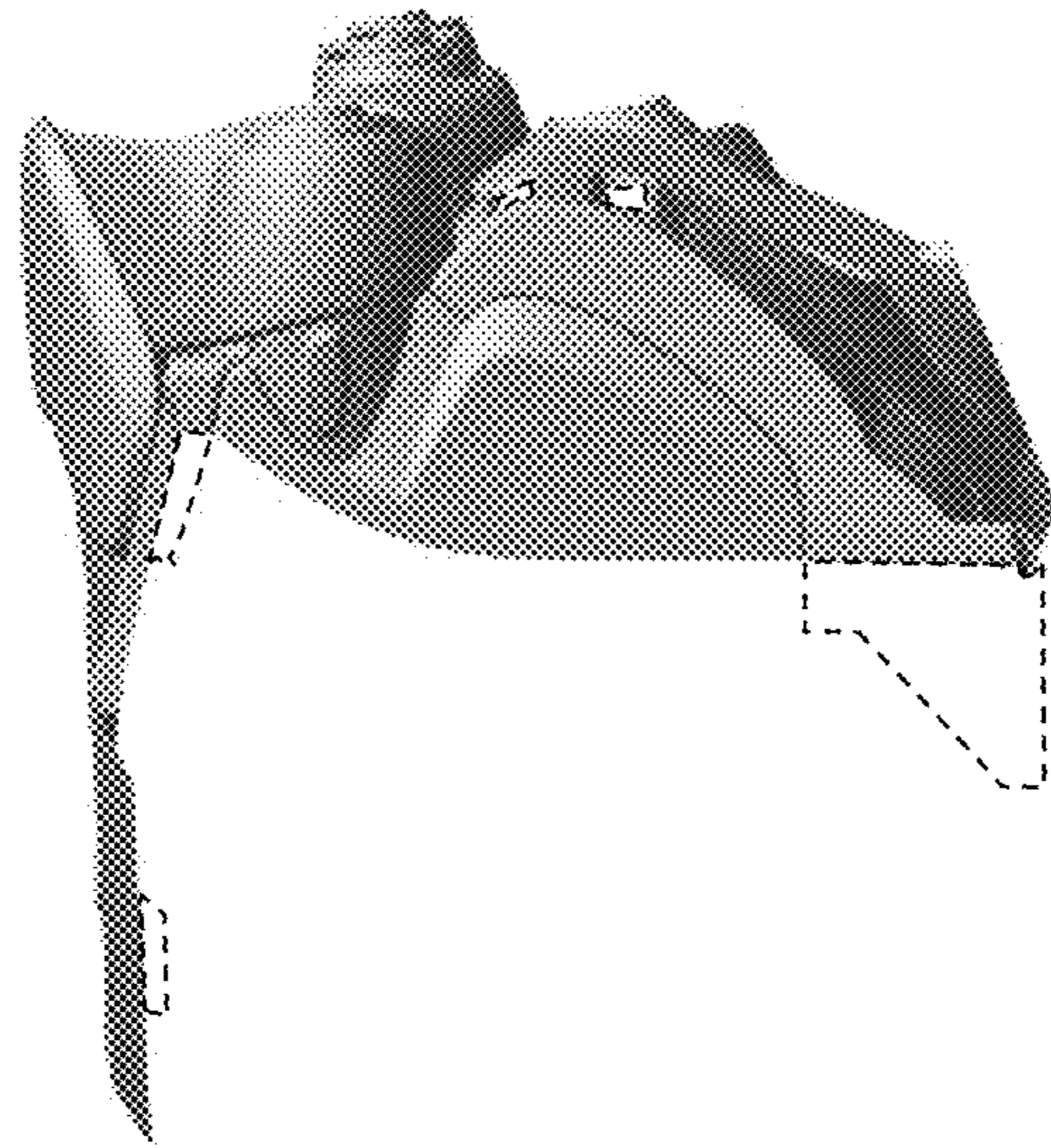


FIG. 4

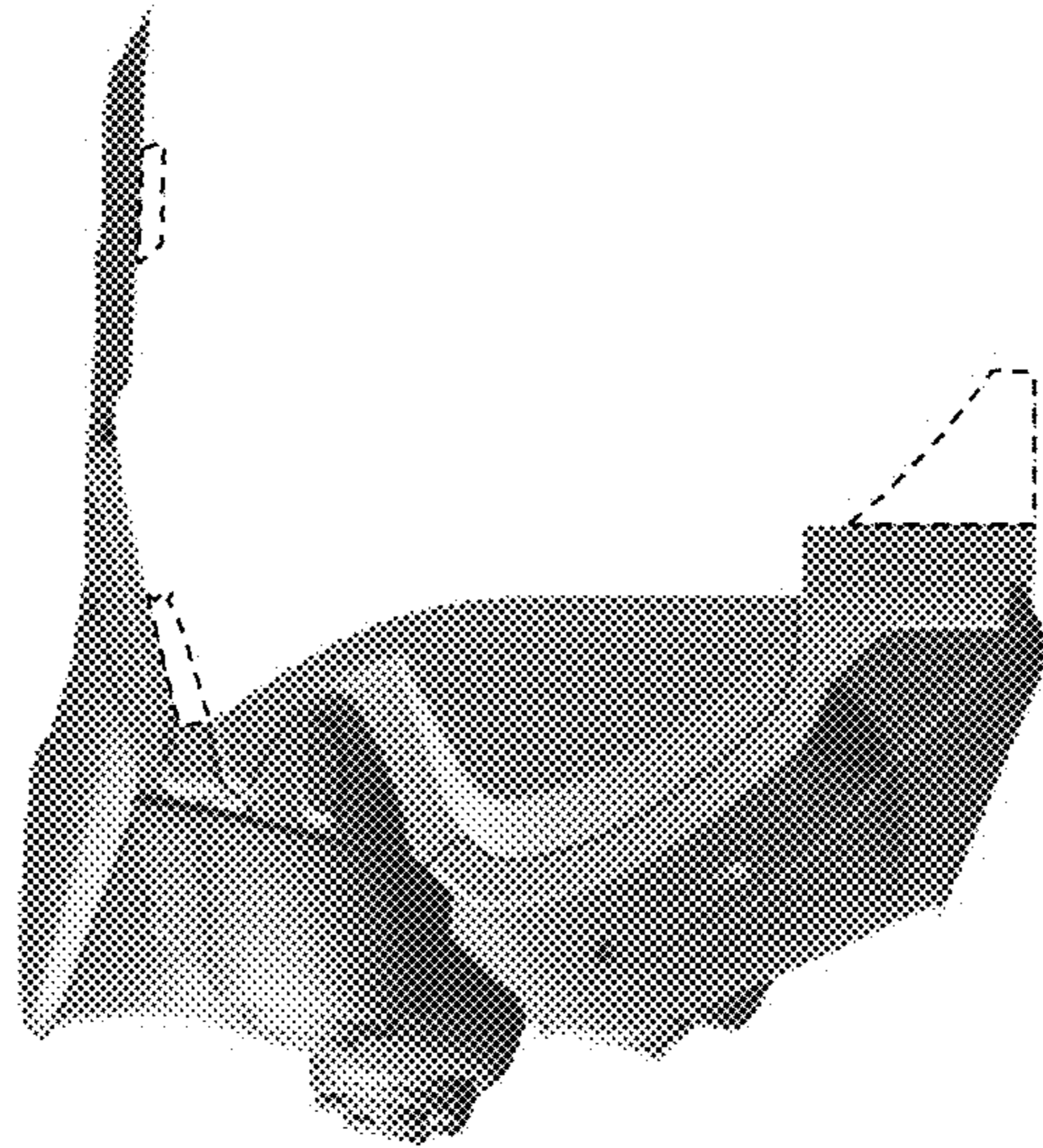


FIG. 5

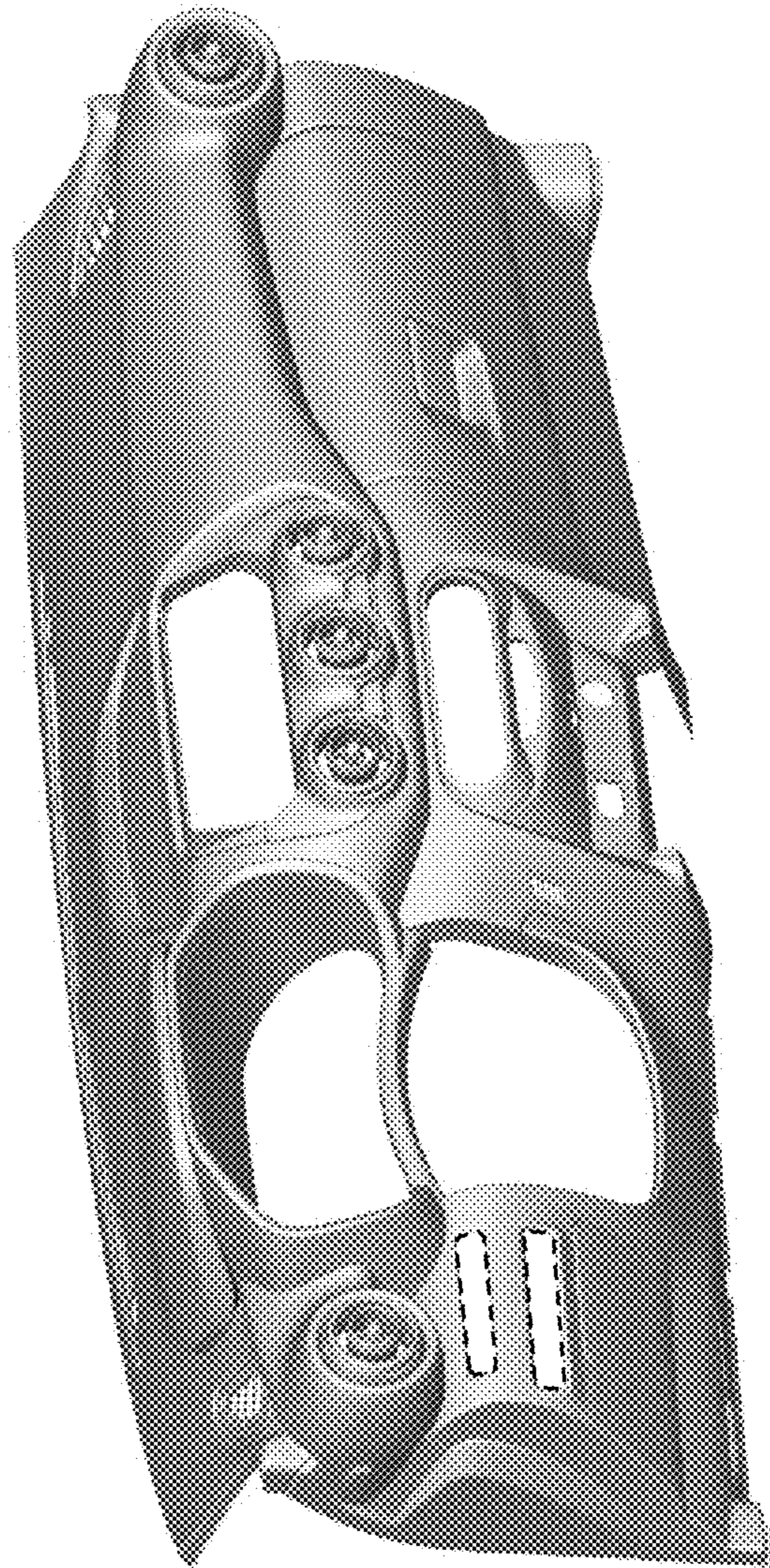


FIG. 6

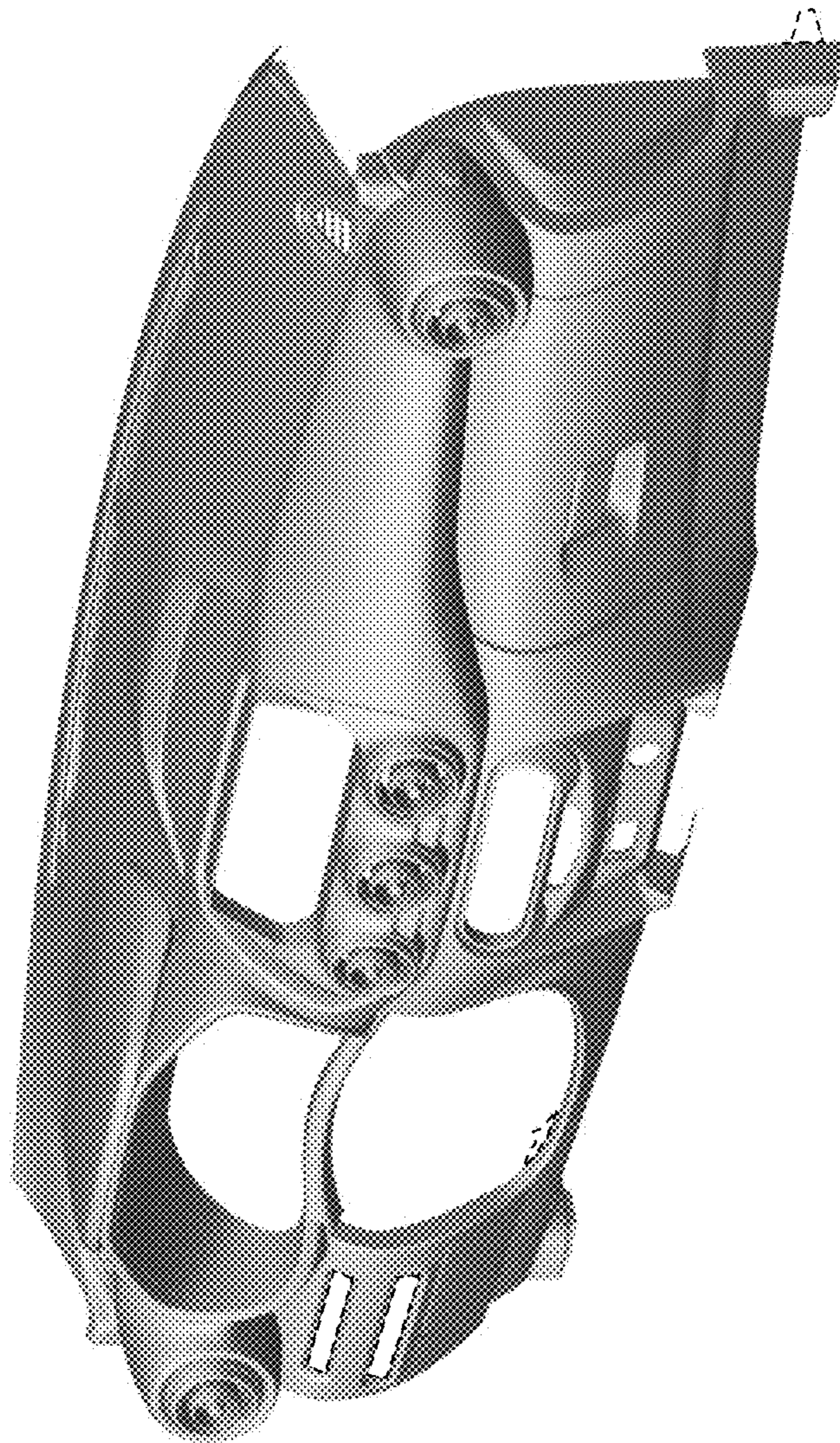


FIG. 7