



US00D917355S

(12) **United States Design Patent**  
**Oku et al.**

(10) **Patent No.:** **US D917,355 S**  
(45) **Date of Patent:** **\*\* Apr. 27, 2021**

(54) **CALIPER BODY OF A DISK BRAKE FOR A VEHICLE**

(71) Applicant: **NISSIN KOGYO CO., LTD.**, Tomi (JP)

(72) Inventors: **Koichiro Oku**, Tomi (JP); **Hiroaki Tanaka**, Tama (JP)

(73) Assignee: **NISSIN KOGYO CO., LTD.**, Tomi (JP)

(\*\*) Term: **15 Years**

(21) Appl. No.: **29/641,119**

(22) Filed: **Mar. 20, 2018**

(30) **Foreign Application Priority Data**

Sep. 20, 2017 (JP) ..... 2017-020455

(51) **LOC (13) Cl.** ..... **12-16**

(52) **U.S. Cl.**  
USPC ..... **D12/180**

(58) **Field of Classification Search**  
USPC ..... D12/179, 180, 181, 184, 185, 400  
CPC ..... F16D 2055/0016; F16D 65/00; F16D 65/0087; F16D 65/0093; F16D 65/02; F16D 65/0979

See application file for complete search history.

(56) **References Cited**

**U.S. PATENT DOCUMENTS**

D351,365 S *	10/1994	Powers	.....	D12/180
D354,469 S *	1/1995	Powers	.....	D12/180
D425,465 S *	5/2000	Pink	.....	D12/180
D426,180 S *	6/2000	Pink	.....	D12/180
D506,714 S *	6/2005	Ono	.....	D12/180
D508,001 S *	8/2005	Matsumoto	.....	D12/180
D512,667 S *	12/2005	Iwasaki	.....	D12/180
D512,946 S *	12/2005	Hatakoshi	.....	D12/180

D527,321 S *	8/2006	Gherardi	.....	D12/180
D560,580 S *	1/2008	Sasaki	.....	D12/180
D600,613 S *	9/2009	Jungmann	.....	D12/180
D686,955 S *	7/2013	Asakura	.....	D12/180

(Continued)

**FOREIGN PATENT DOCUMENTS**

JP	1102393 S	3/2001
JP	1495470	4/2014

**OTHER PUBLICATIONS**

“AutoShack BC30150PR Pair Set of 2 Front Driver and Passenger Side Disc Brake Caliper Assembly [ . . . ]” [online]. Auto Shack. [Product first available on Mar. 19, 2019]. Retrieved from the Internet: <<https://www.amazon.com/dp/B08DWN5251>>.\*

(Continued)

*Primary Examiner* — Mojtaba Tehrani

(74) *Attorney, Agent, or Firm* — Westerman, Hattori, Daniels & Adrian, LLP

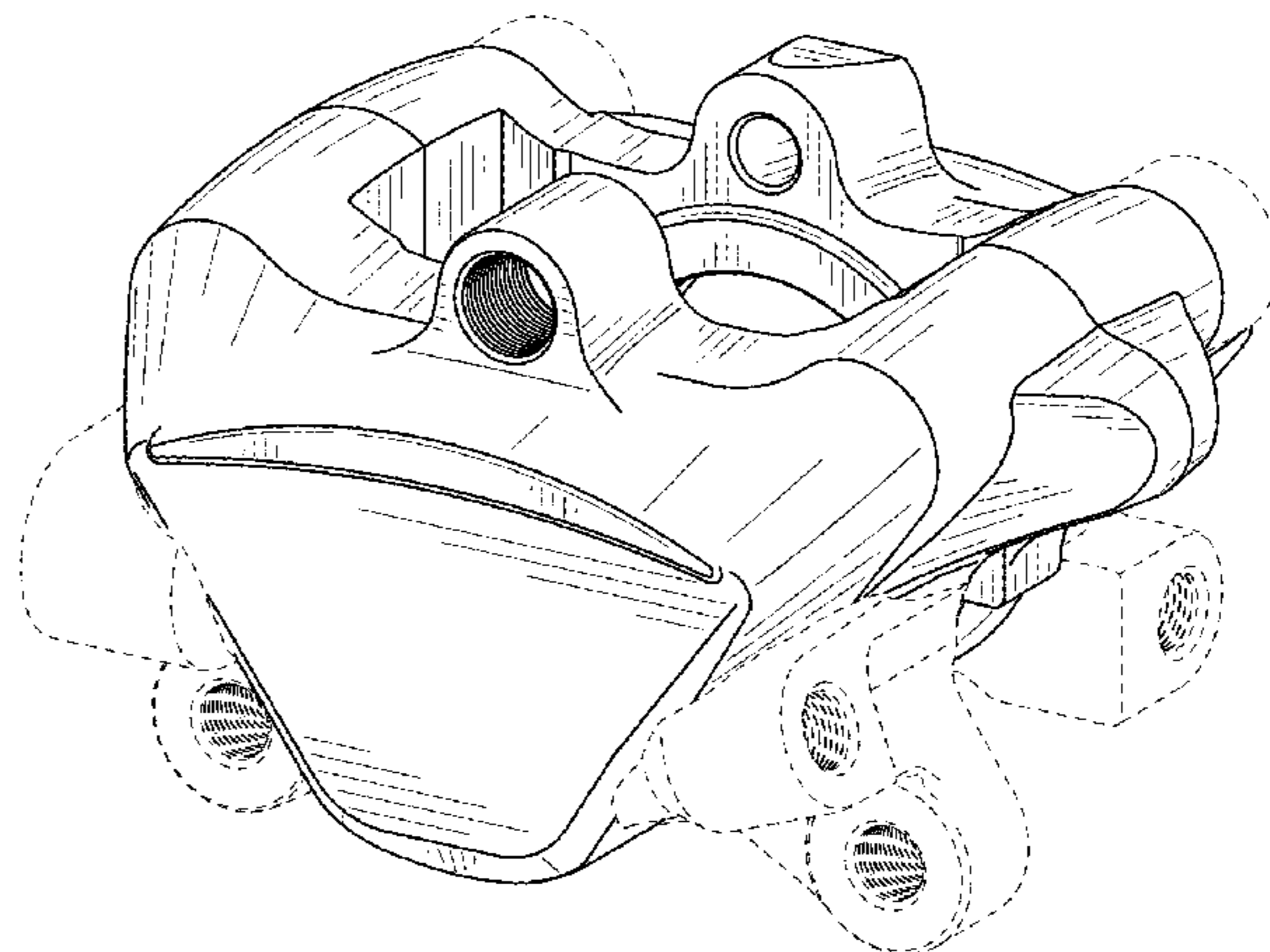
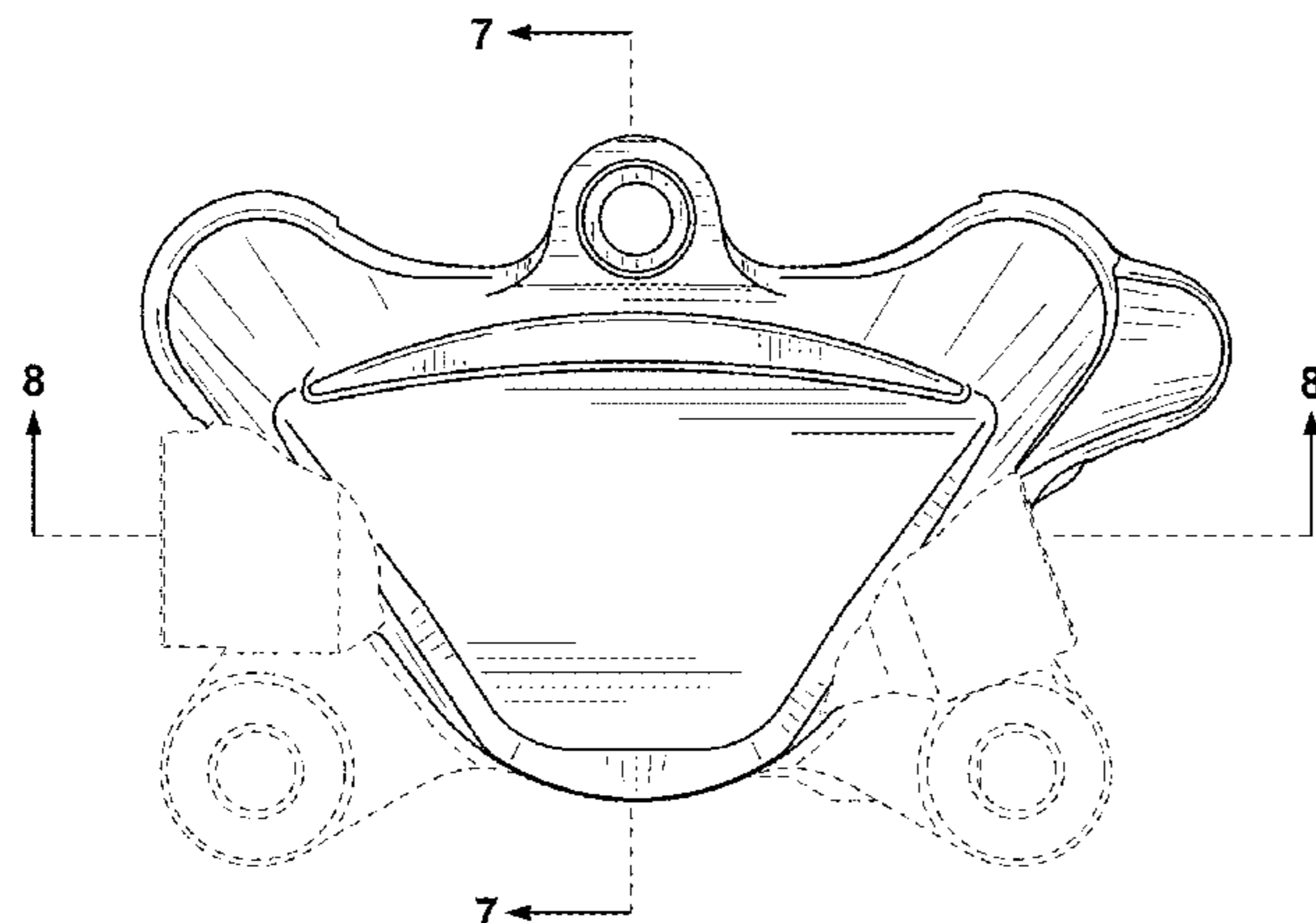
(57) **CLAIM**

The ornamental design for a caliper body of a disk brake for a vehicle, as shown and described.

**DESCRIPTION**

FIG. 1 is a front plan view of a caliper body of a disk brake for a vehicle, showing our new design; FIG. 2 is a rear plan view thereof; FIG. 3 is a top elevational view thereof; FIG. 4 is a bottom plan view thereof; FIG. 5 is a right side elevational view thereof; FIG. 6 is a left side elevational view thereof; FIG. 7 is a cross-sectional view thereof taken through section line 7-7 of FIG. 1; FIG. 8 is a cross-sectional view thereof taken through section line 8-8 of FIG. 1; and, FIG. 9 is a perspective view thereof. The broken lines in the drawings depict unclaimed subject matter and form no part of the claimed design.

**1 Claim, 5 Drawing Sheets**



(56)

**References Cited**

U.S. PATENT DOCUMENTS

D705,709 S \* 5/2014 Hetland ..... D12/180  
D812,534 S \* 3/2018 Scheibe ..... D12/180  
D851,566 S \* 6/2019 Nessi ..... D12/180  
D865,594 S \* 11/2019 Honzawa ..... D12/180  
D877,673 S \* 3/2020 Oku ..... D12/180  
D884,567 S \* 5/2020 Atsuta ..... D12/180  
2007/0170018 A1 \* 7/2007 Alexander ..... F16D 65/0976  
188/72.3  
2021/0010548 A1 \* 1/2021 Maehara ..... F16D 55/225

OTHER PUBLICATIONS

“A-Premium Brake Caliper Assembly [. . .]” [online], A-Premium.  
[Product first available on Dec. 10, 2019], Retrieved from the  
Internet: <<https://www.amazon.com/dp/B082MKCKY7/>>.\*

\* cited by examiner

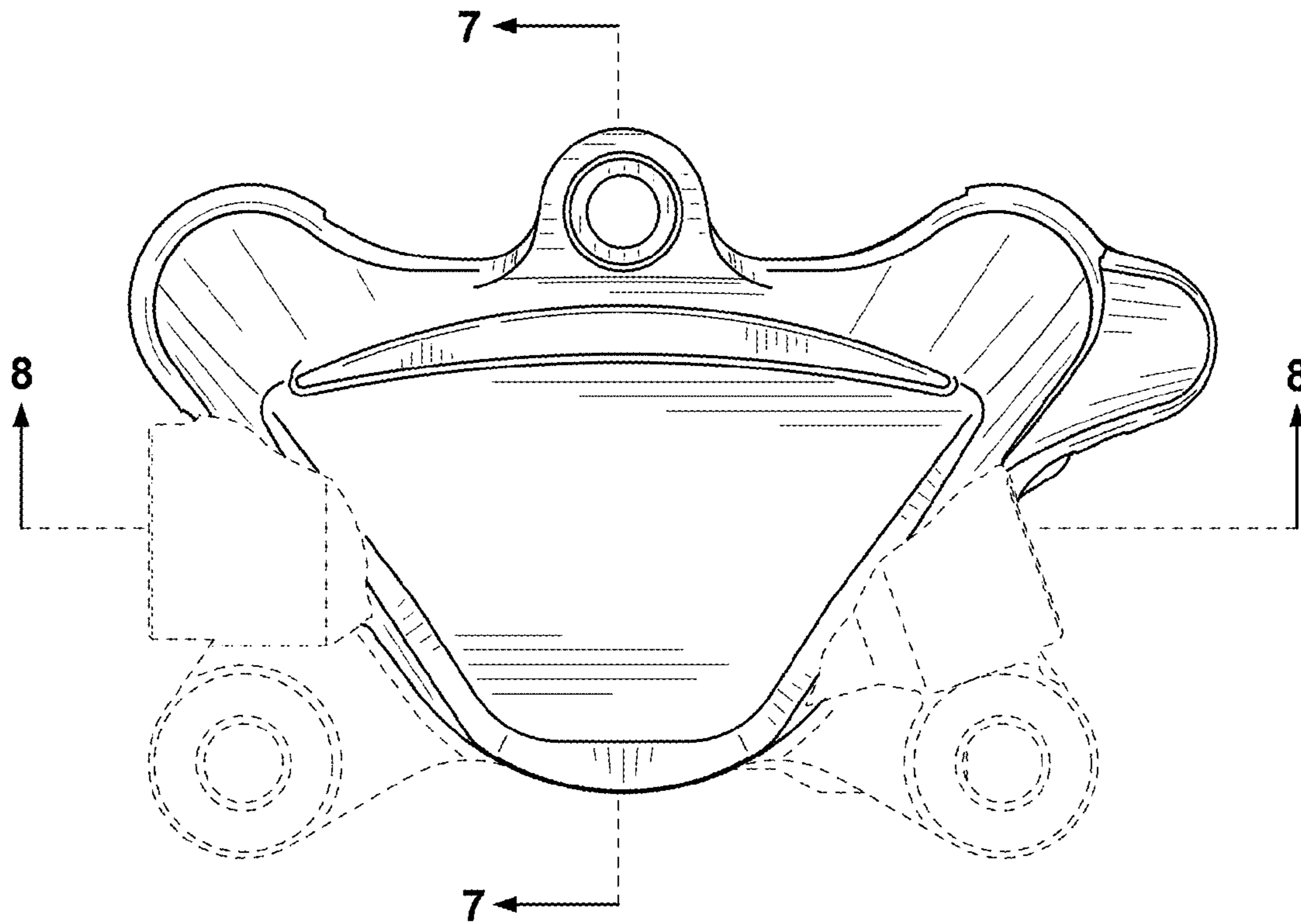


FIG. 1

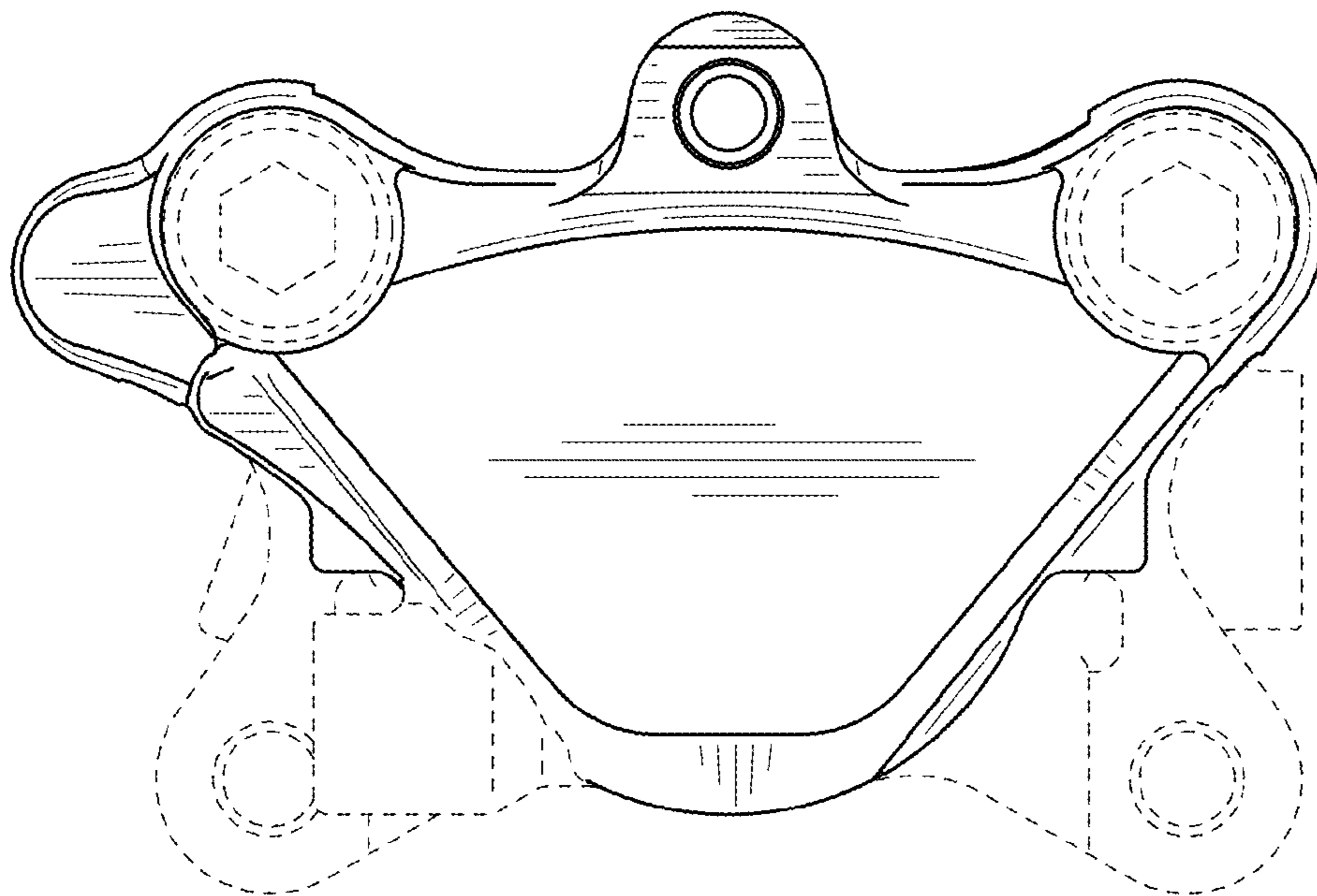


FIG. 2

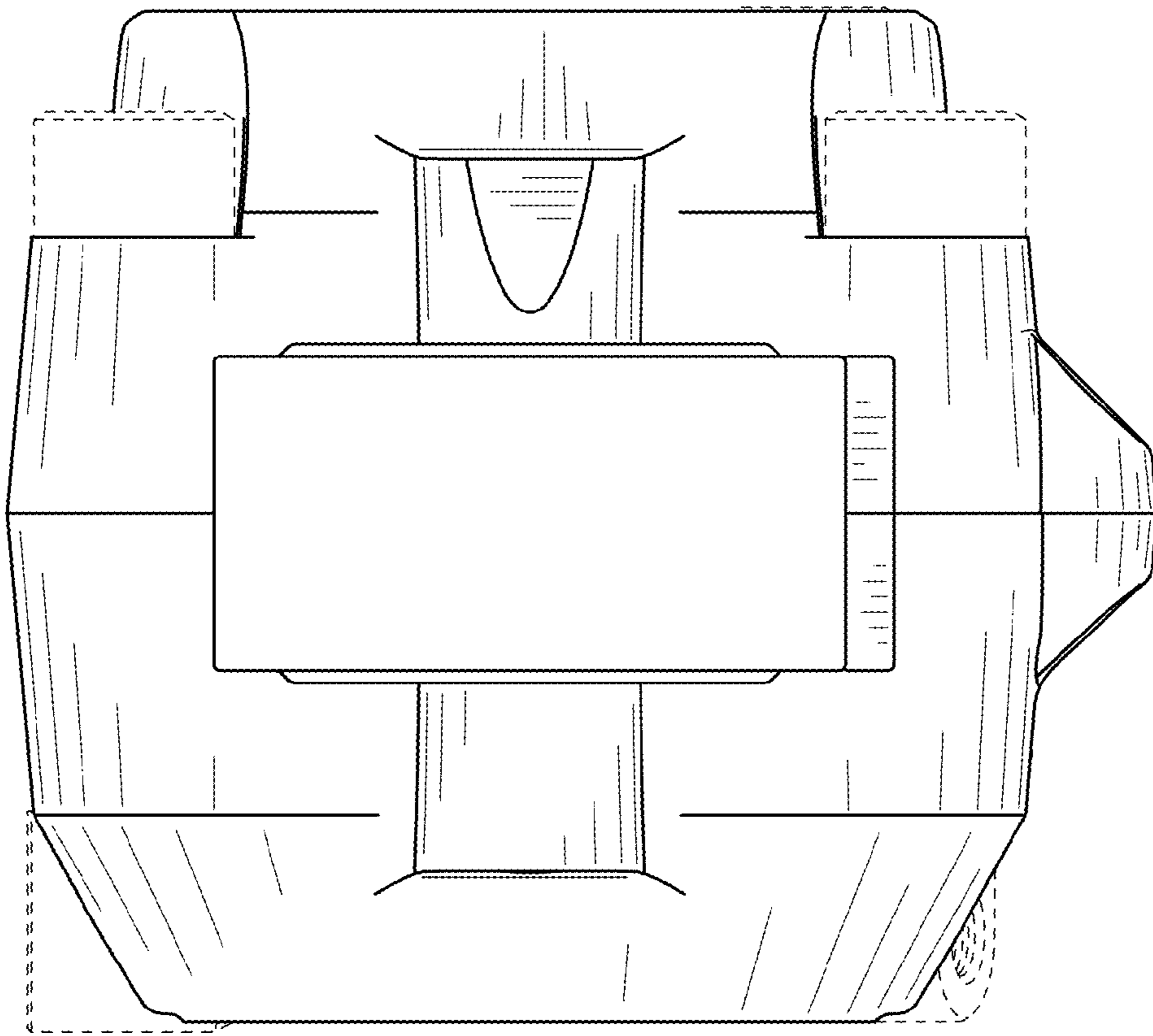


FIG. 3

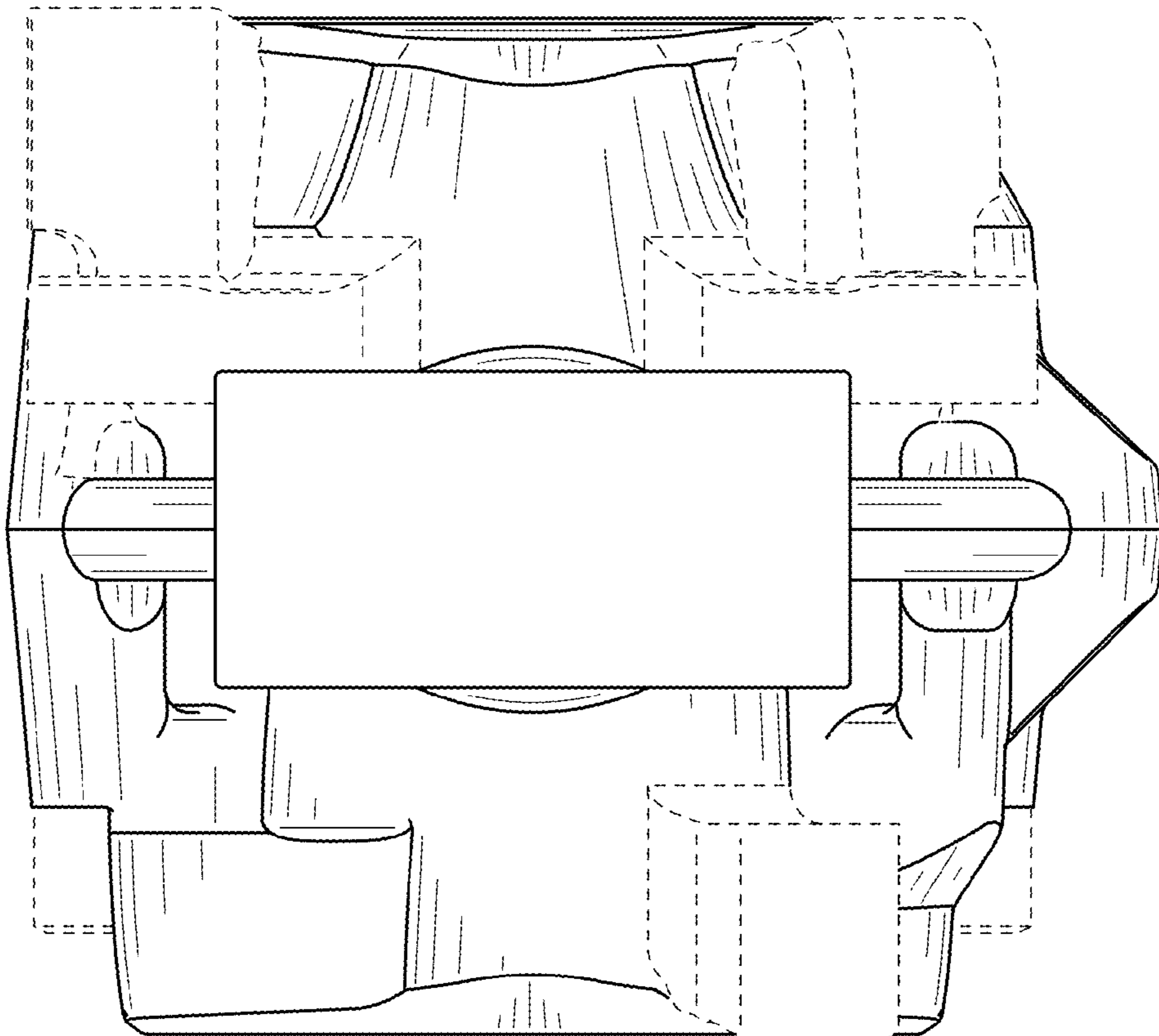


FIG. 4

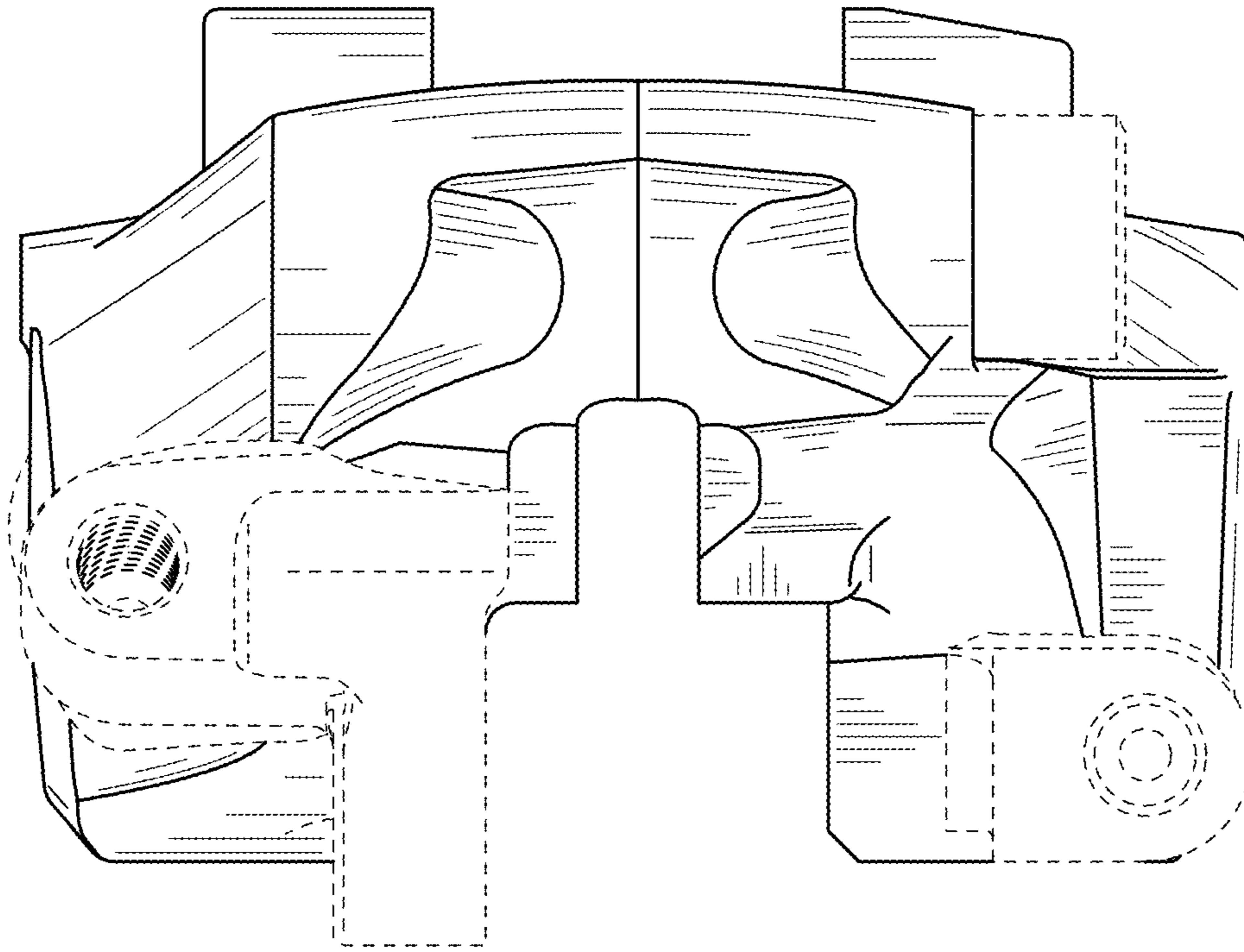


FIG. 5

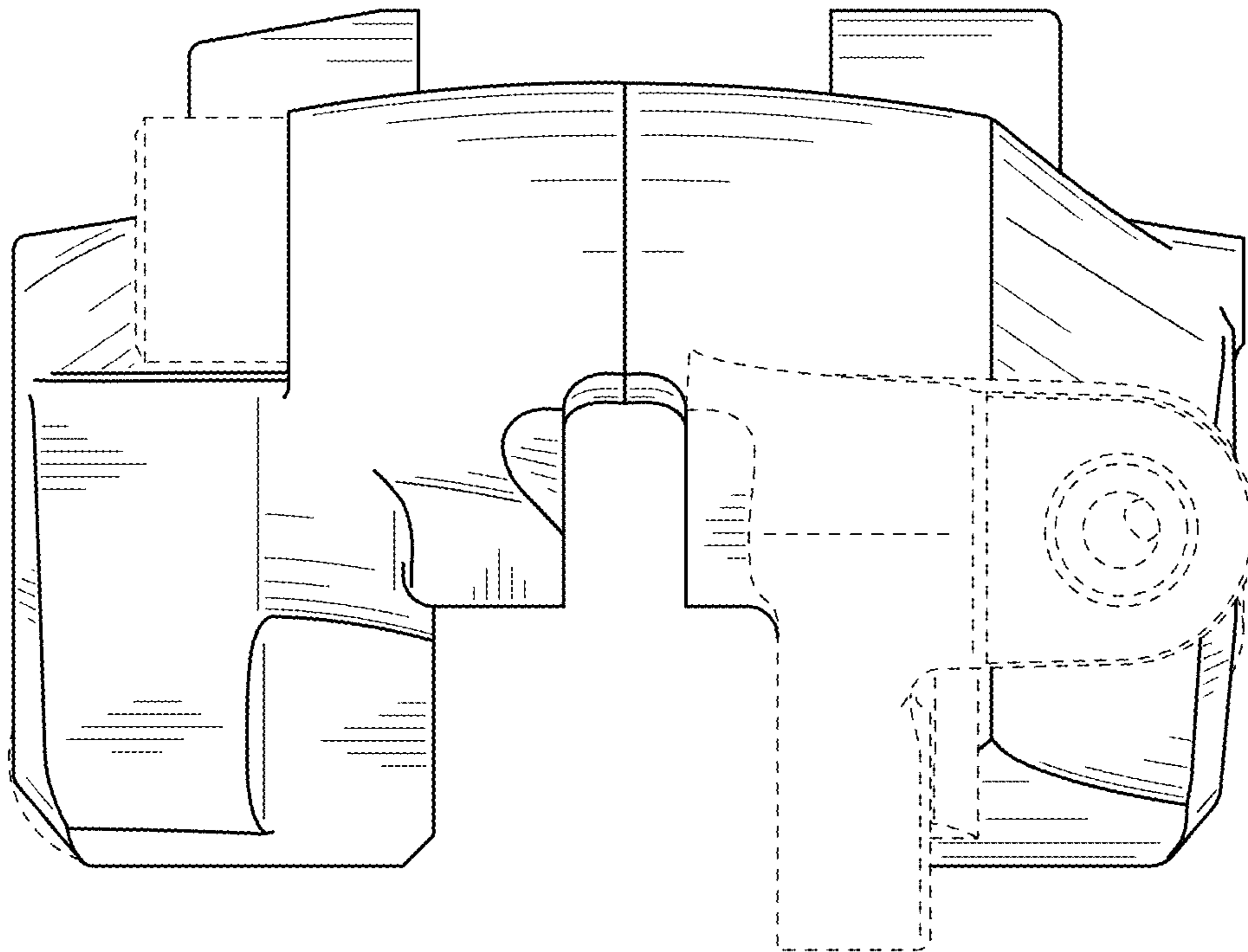


FIG. 6

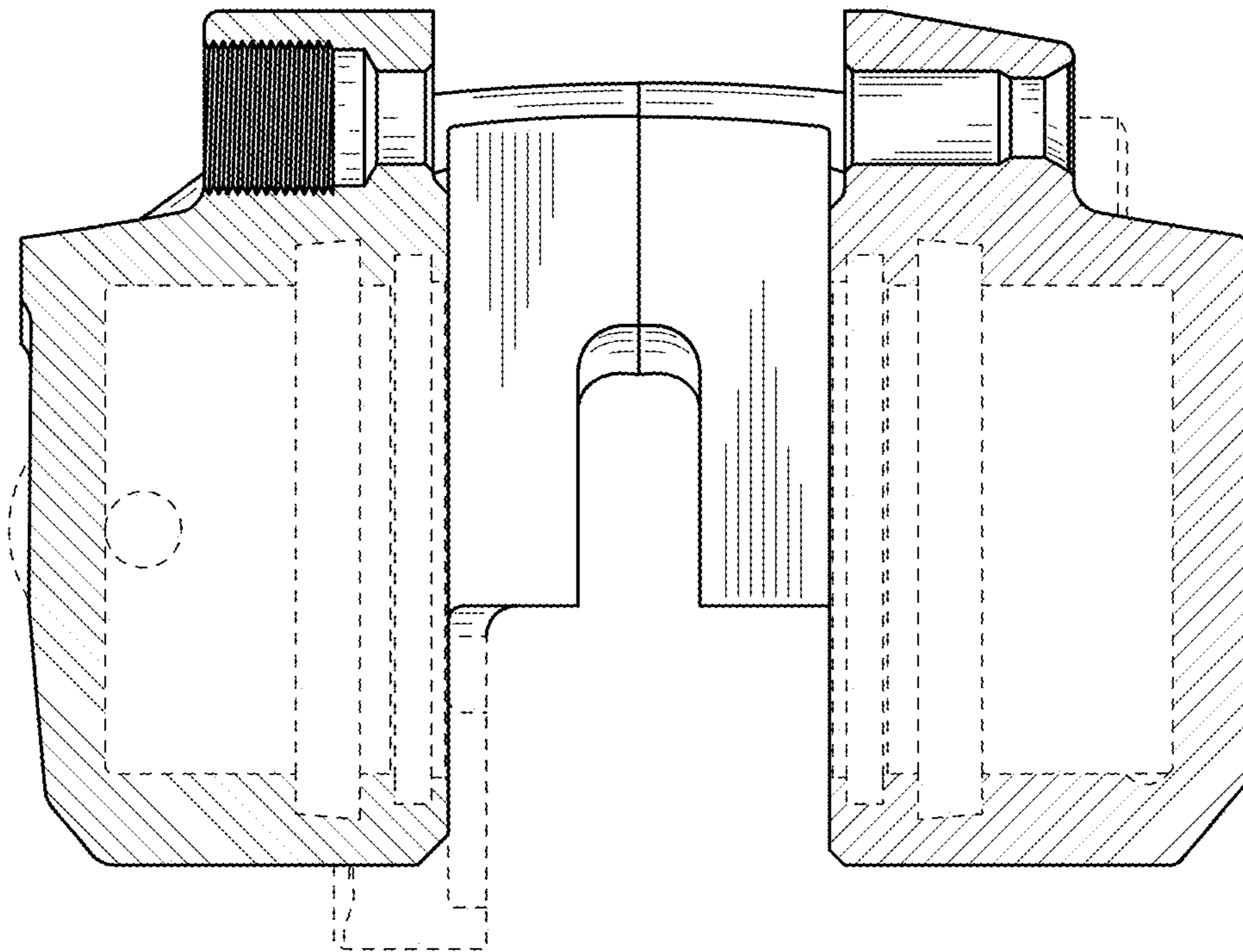


FIG. 7

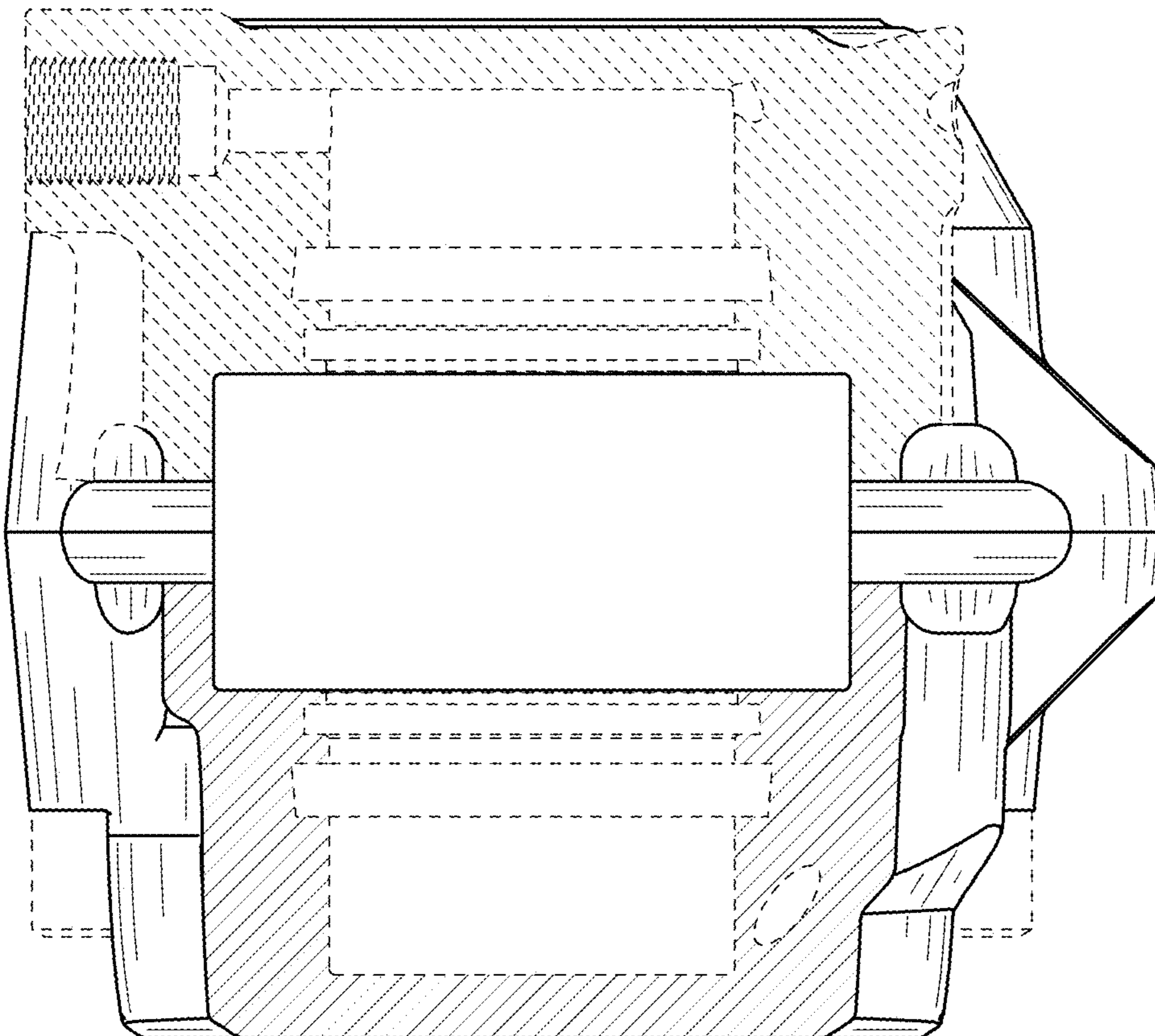


FIG. 8

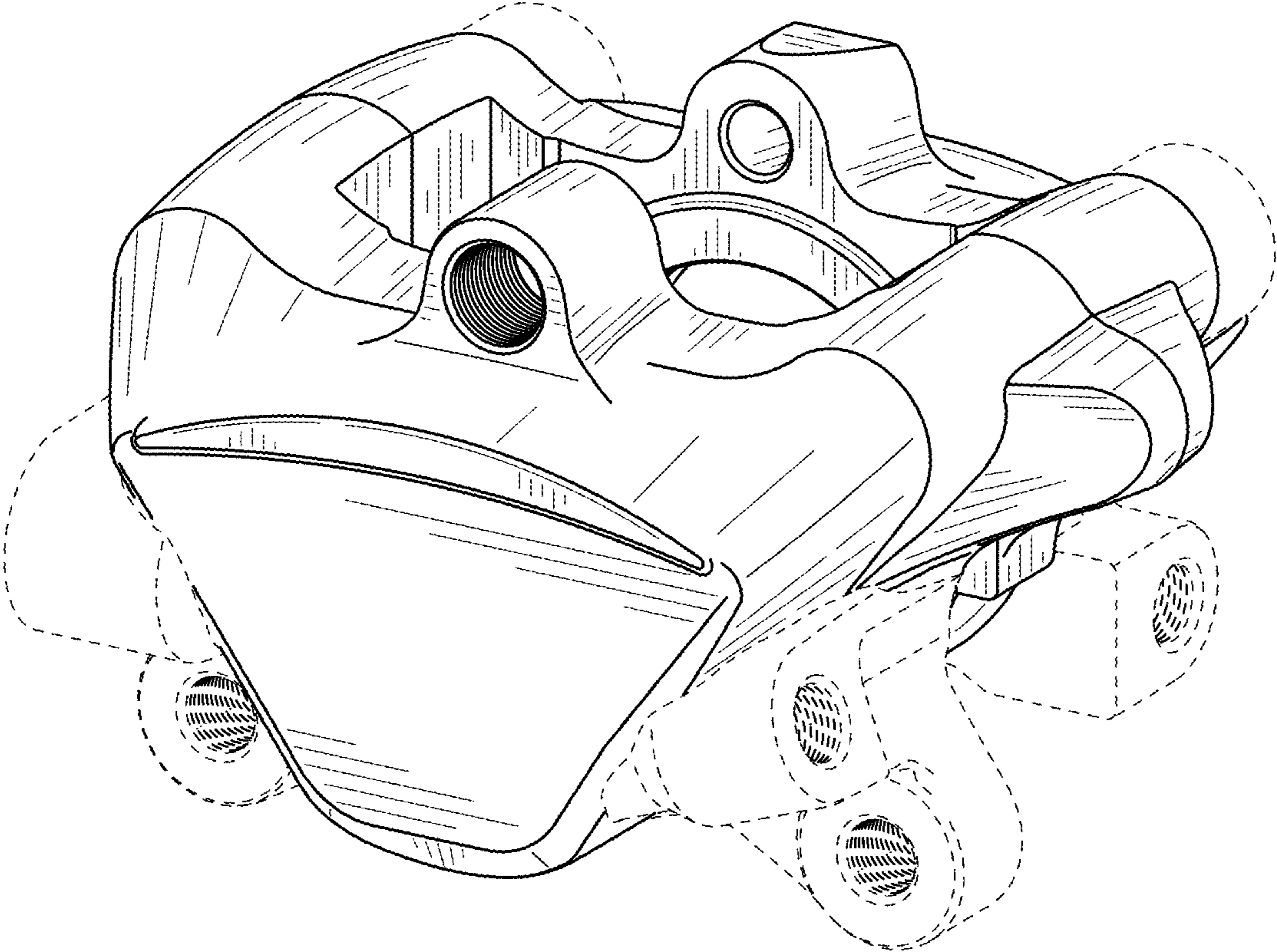


FIG. 9