



US00D917350S

(12) **United States Design Patent** (10) **Patent No.:** **US D917,350 S**
Burki (45) **Date of Patent:** **** Apr. 27, 2021**

(54) **REAR END PORTION OF MOTOR VEHICLE,
TOY AND/OR REPLICA**

(56) **References Cited**

U.S. PATENT DOCUMENTS

(71) Applicant: **Dr. Ing. h.c. F. Porsche
Aktiengesellschaft, Stuttgart (DE)**

D826,784 S *	8/2018	Hauser	D12/92
D834,455 S *	11/2018	Yamashita	D12/92
D858,354 S *	9/2019	Scheinhutte	D12/91
D858,355 S *	9/2019	Scheinhutte	D12/91
D858,356 S *	9/2019	Sapet	D12/91
D867,932 S *	11/2019	Yamashita	D12/92
D900,686 S *	11/2020	Scheinhutte	D12/164

(72) Inventor: **Emiel Burki, Stuttgart (DE)**

(73) Assignee: **Dr. Ing. h.c. F. Porsche
Aktiengesellschaft**

* cited by examiner

(**) Term: **15 Years**

Primary Examiner — Melody N Brown

(21) Appl. No.: **29/713,344**

(74) *Attorney, Agent, or Firm* — RatnerPrestia

(22) Filed: **Nov. 15, 2019**

(57) **CLAIM**

The ornamental design for rear end portion of motor vehicle, toy and/or replica, as shown and described.

(30) **Foreign Application Priority Data**

DESCRIPTION

May 17, 2019 (DE) 402019100569.2

(51) **LOC (13) Cl.** **12-16**

(52) **U.S. Cl.**
USPC **D12/164**

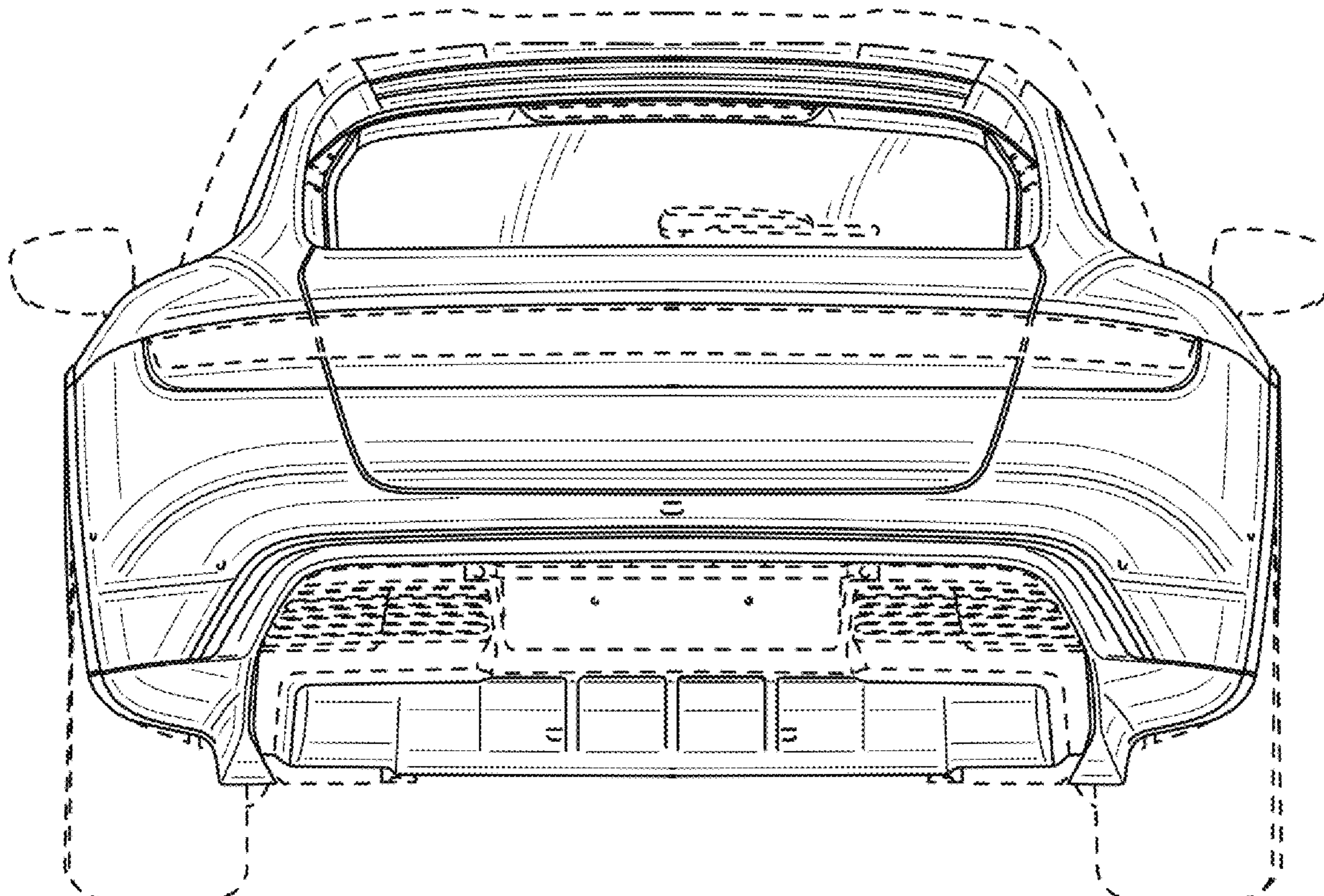
(58) **Field of Classification Search**
USPC D12/86, 90-92, 88, 164; D21/424, 433,
D21/434; 296/181.1-181.5, 183.1
CPC B62D 25/00; B62D 26/06; B62D 33/00;
B62D 35/00

FIG. 1 is a front perspective view of a rear end portion of motor vehicle, toy and/or replica showing my new design; FIG. 2 is a rear elevation view thereof; FIG. 3 is an elevation view from the left side thereof, the right side being a substantial mirror image thereof; and, FIG. 4 is top plan view thereof.

The rear end portion of motor vehicle, toy and/or replica shown in broken lines are for illustrative and environmental purposes and form no part of the claimed design.

See application file for complete search history.

1 Claim, 4 Drawing Sheets



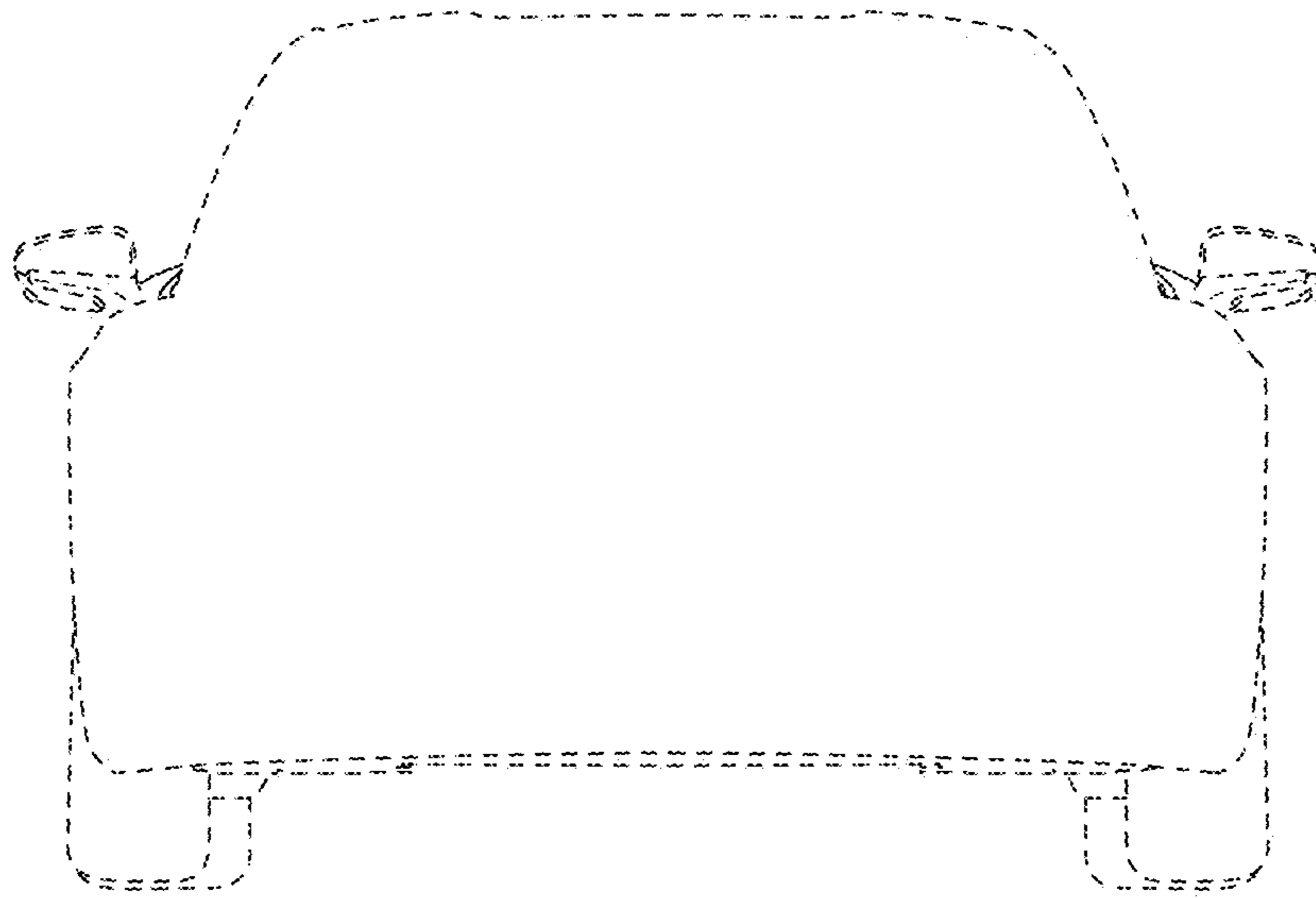


FIG. 1

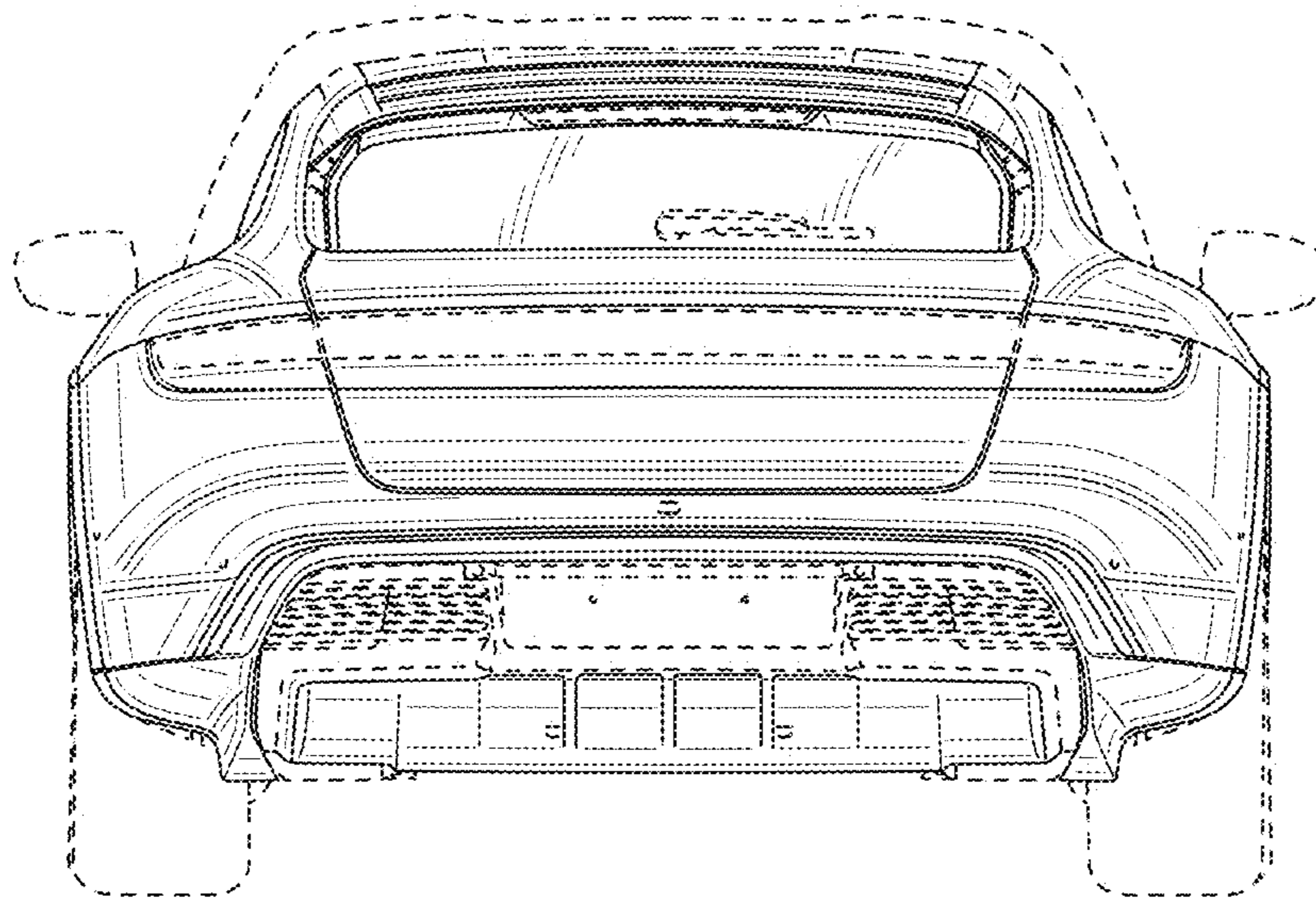


FIG. 2

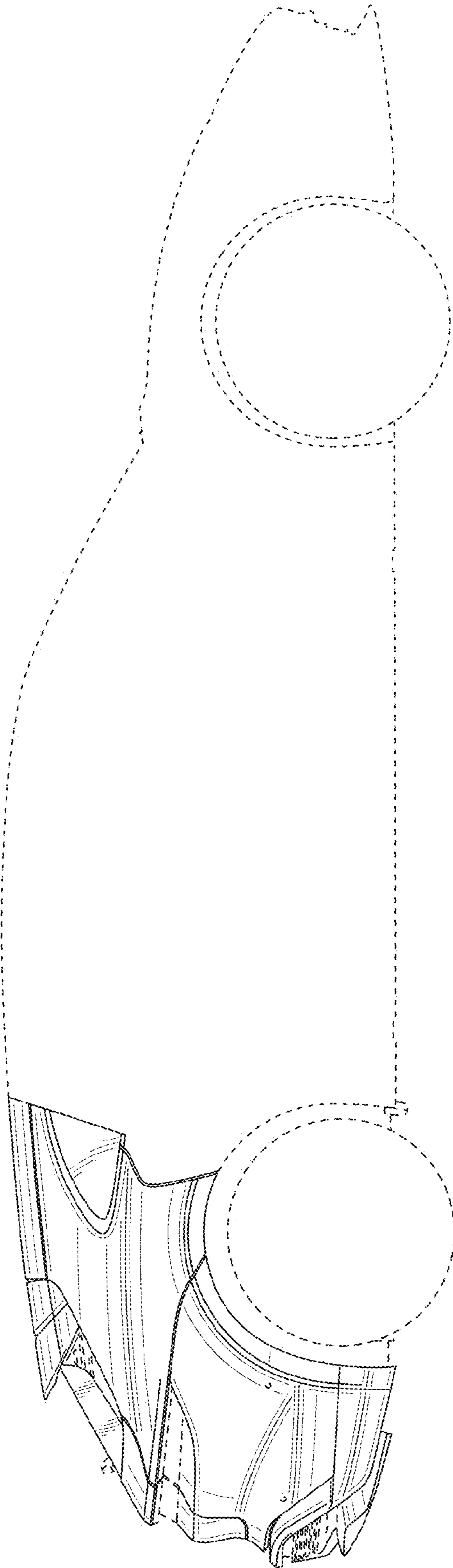


FIG. 3

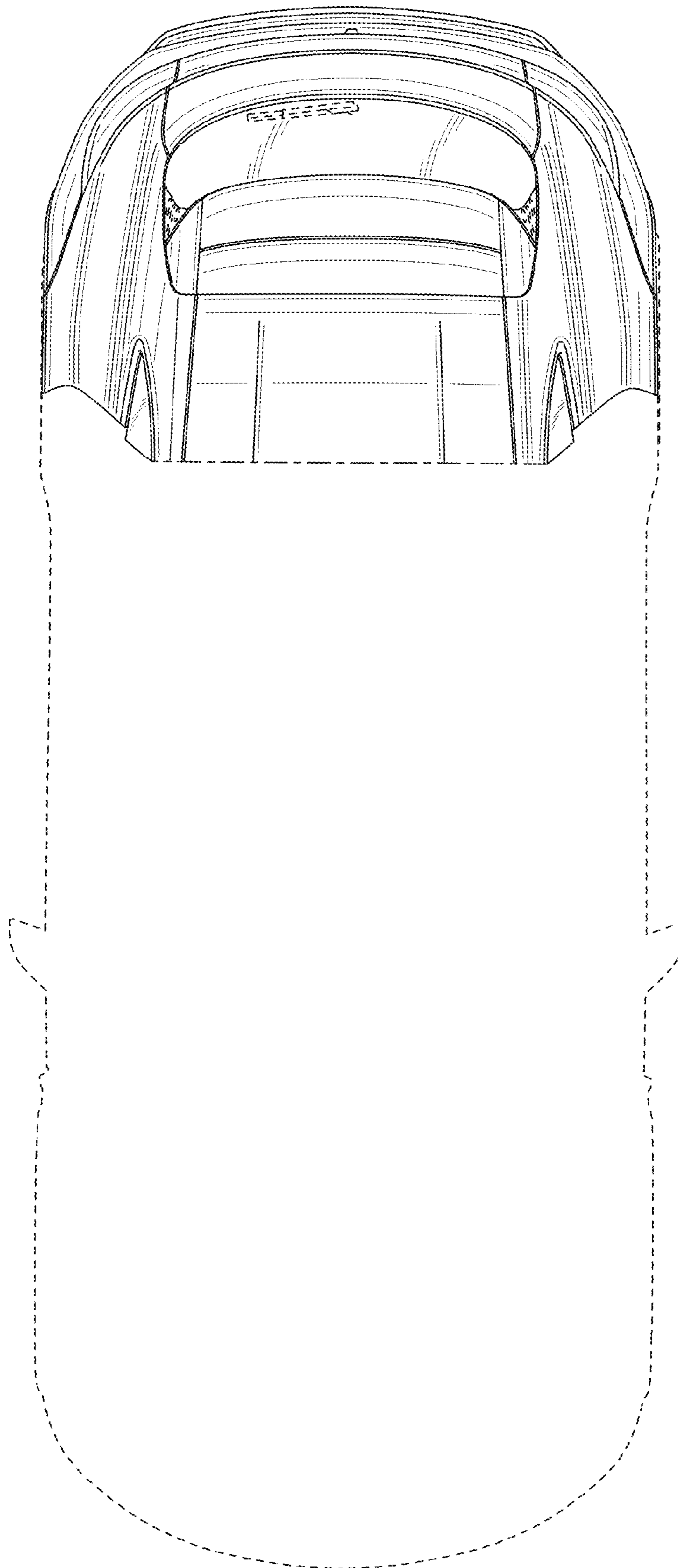


FIG. 4