



US00D917349S

(12) **United States Design Patent**
Fan et al.

(10) **Patent No.:** **US D917,349 S**

(45) **Date of Patent:** **** Apr. 27, 2021**

(54) **ELECTRIC BICYCLE**

(71) Applicant: **HONGJI INTELLIGENT BIKE CO., LTD**, Changzhou (CN)

(72) Inventors: **Feng Fan**, Changzhou (CN); **Meng Zhu**, Changzhou (CN); **Feng Gao**, Changzhou (CN)

(**) Term: **15 Years**

(21) Appl. No.: **29/703,676**

(22) Filed: **Aug. 29, 2019**

(30) **Foreign Application Priority Data**

Aug. 7, 2019 (CN) 201930426598.4

(51) **LOC (13) Cl.** **12-11**

(52) **U.S. Cl.**
USPC **D12/111**

(58) **Field of Classification Search**
USPC D12/111, 117; D21/412, 414, 419,
D21/423-428, 431-435
CPC B62K 3/00; B62K 3/02; B62K 3/06
See application file for complete search history.

(56) **References Cited**

U.S. PATENT DOCUMENTS

- 5,836,602 A * 11/1998 Wang B62K 15/008
280/287
- 6,267,401 B1 * 7/2001 De Jong B62K 15/008
280/287
- D487,234 S * 3/2004 Chen D12/111
- 7,156,409 B2 * 1/2007 Chuang B62K 15/006
280/278
- D617,687 S * 6/2010 Brady D12/111
- 9,205,889 B2 * 12/2015 Paick B62M 6/45
- D756,264 S * 5/2016 Thompson D12/11
- 9,359,036 B2 * 6/2016 Thompson B62K 15/008
- 9,573,646 B2 * 2/2017 Lloyd B62M 7/06

- D795,747 S * 8/2017 Bailie D12/111
- D807,232 S * 1/2018 Bailie D12/111
- D807,233 S * 1/2018 Zhang D12/111
- D814,361 S * 4/2018 Shi D12/111
- D828,231 S * 9/2018 Yan D12/111
- D833,333 S * 11/2018 Yu D12/111
- D833,916 S * 11/2018 Yu D12/111
- 10,152,875 B2 * 12/2018 Khaligh B62M 6/55
- 10,183,591 B2 * 1/2019 Shieh B60L 50/64
- 10,207,758 B2 * 2/2019 Steinhauser B62H 1/06
- D843,269 S * 3/2019 Shi D12/111
- D850,982 S * 6/2019 Zhu D12/111
- 10,336,395 B2 * 7/2019 Li B62K 21/26
- D890,633 S * 7/2020 Zhou D12/111

(Continued)

Primary Examiner — Darlington Ly

(57) **CLAIM**

The ornamental design for an electric bicycle, as shown and described.

DESCRIPTION

FIG. 1 is a perspective view of an electric bicycle embodying our new design;

FIG. 2 is a partial and enlarged perspective view thereof, where the area of enlargement is indicated as area “2” in FIG. 1;

FIG. 3 is a partial and enlarged perspective view thereof, where the area of enlargement is indicated as area “3” in FIG. 1;

FIG. 4 is a front elevation view thereof;

FIG. 5 is a top plan view thereof;

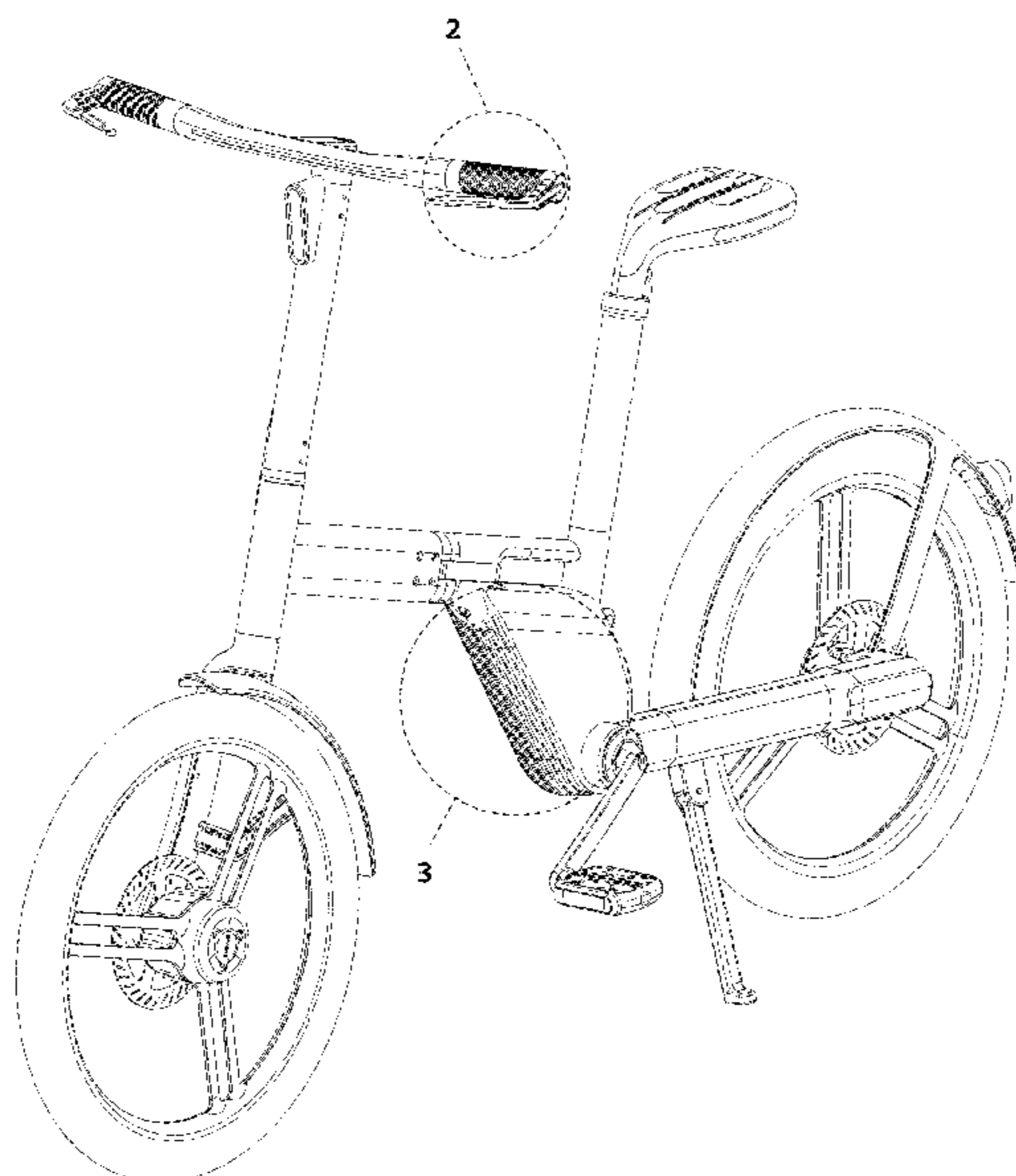
FIG. 6 is a rear elevation view thereof;

FIG. 7 is a right side elevation view thereof; and,

FIG. 8 is a left side elevation view thereof.

The broken lines in the drawings are provided for the purpose of illustrating the areas of enlargements and do not form part of the claimed design. The broken lines do not show structure or environment and only show the region for which the enlargements are taken.

1 Claim, 8 Drawing Sheets



(56)

References Cited

U.S. PATENT DOCUMENTS

D897,242 S * 9/2020 Yap D12/111
D898,625 S * 10/2020 Lin D12/111

* cited by examiner

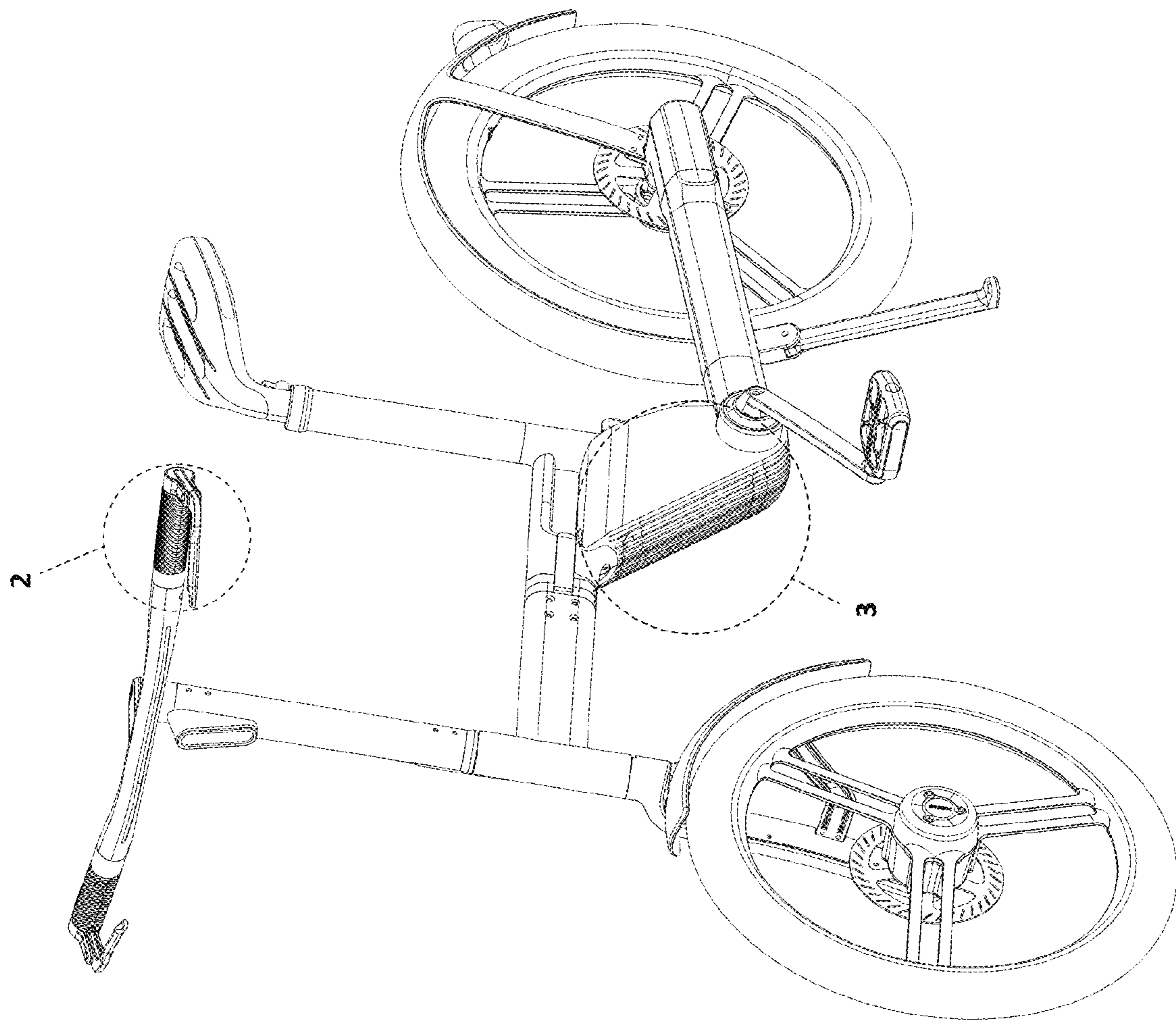


FIG. 1

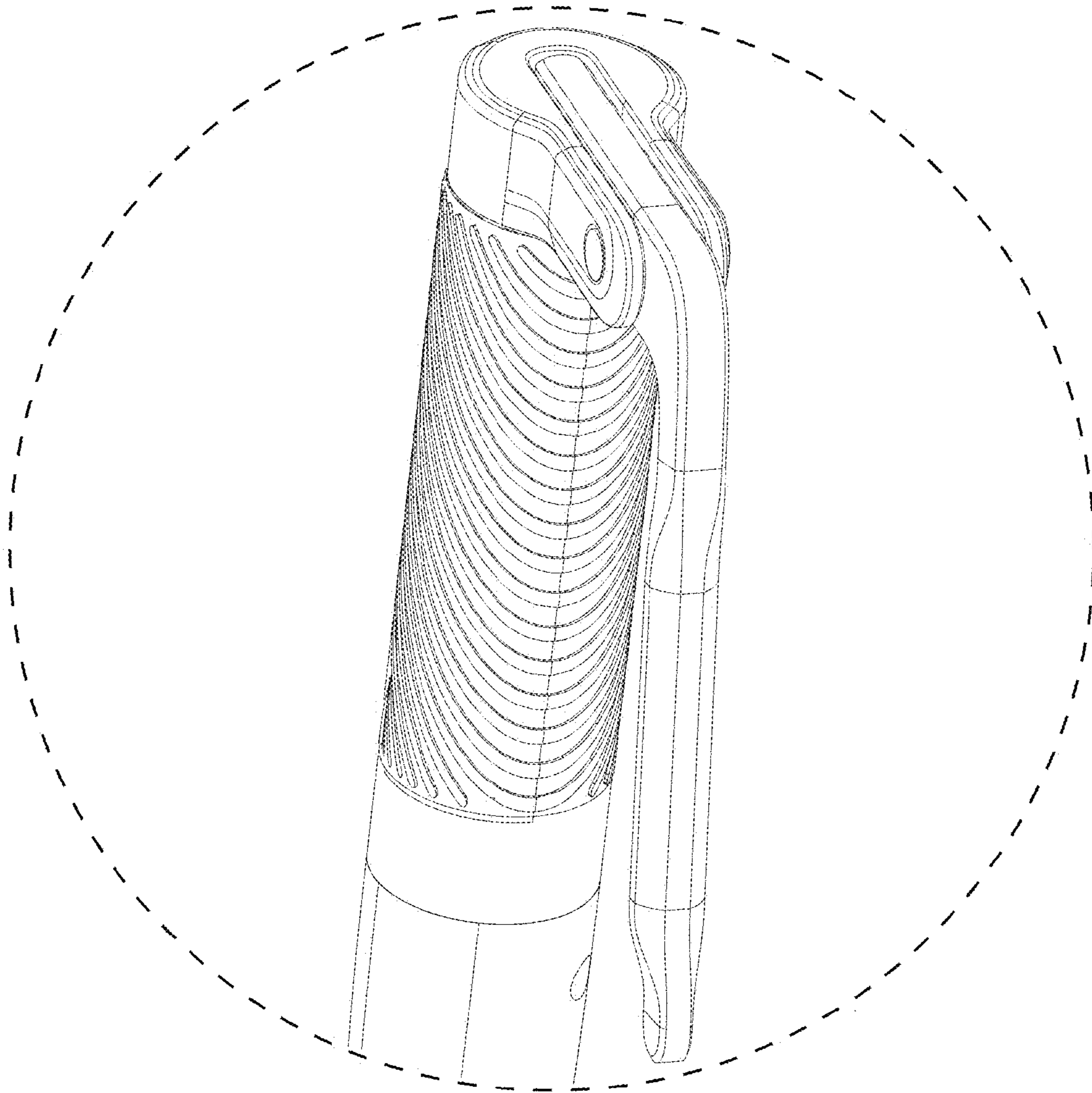


FIG. 2

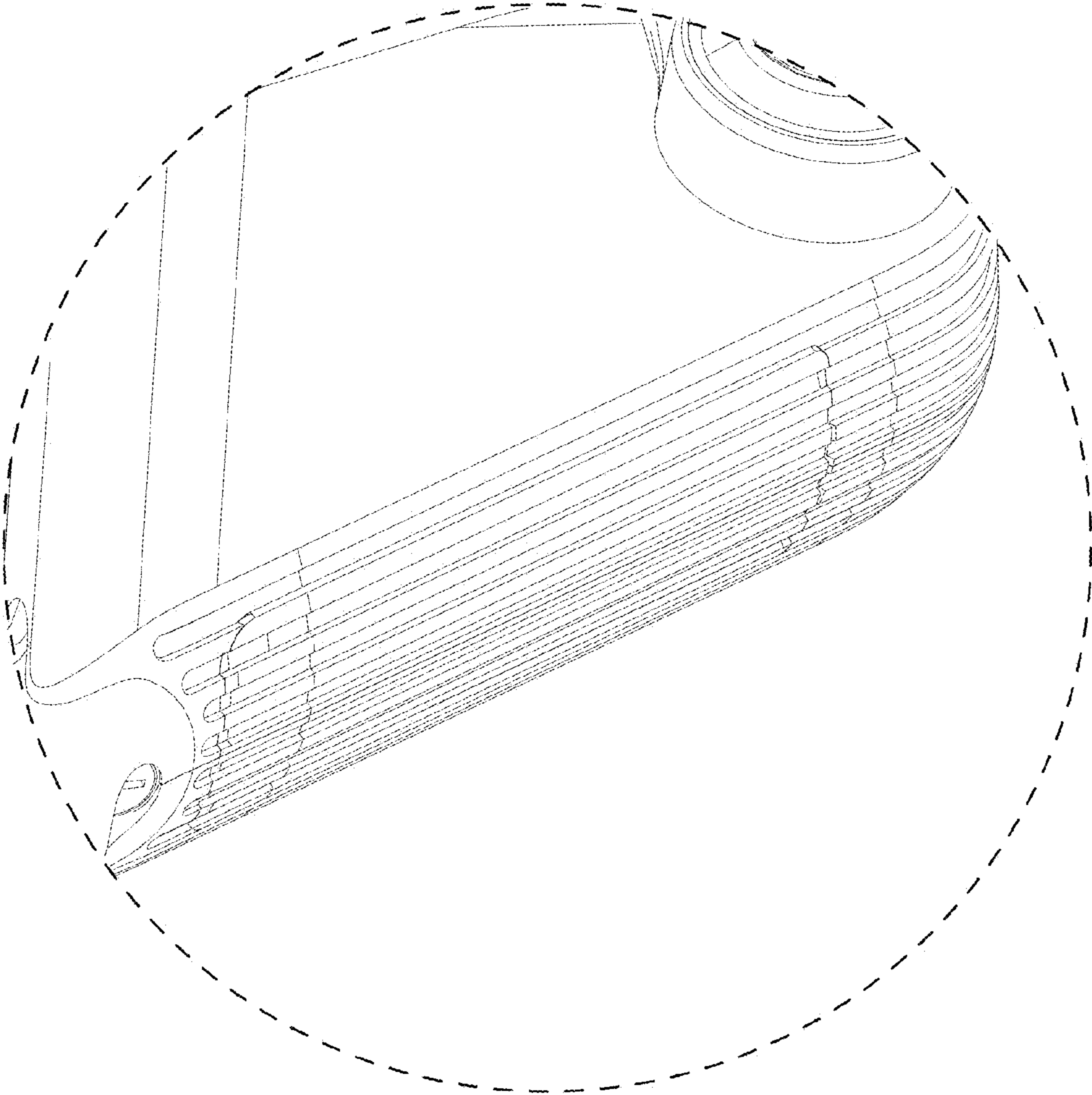


FIG. 3

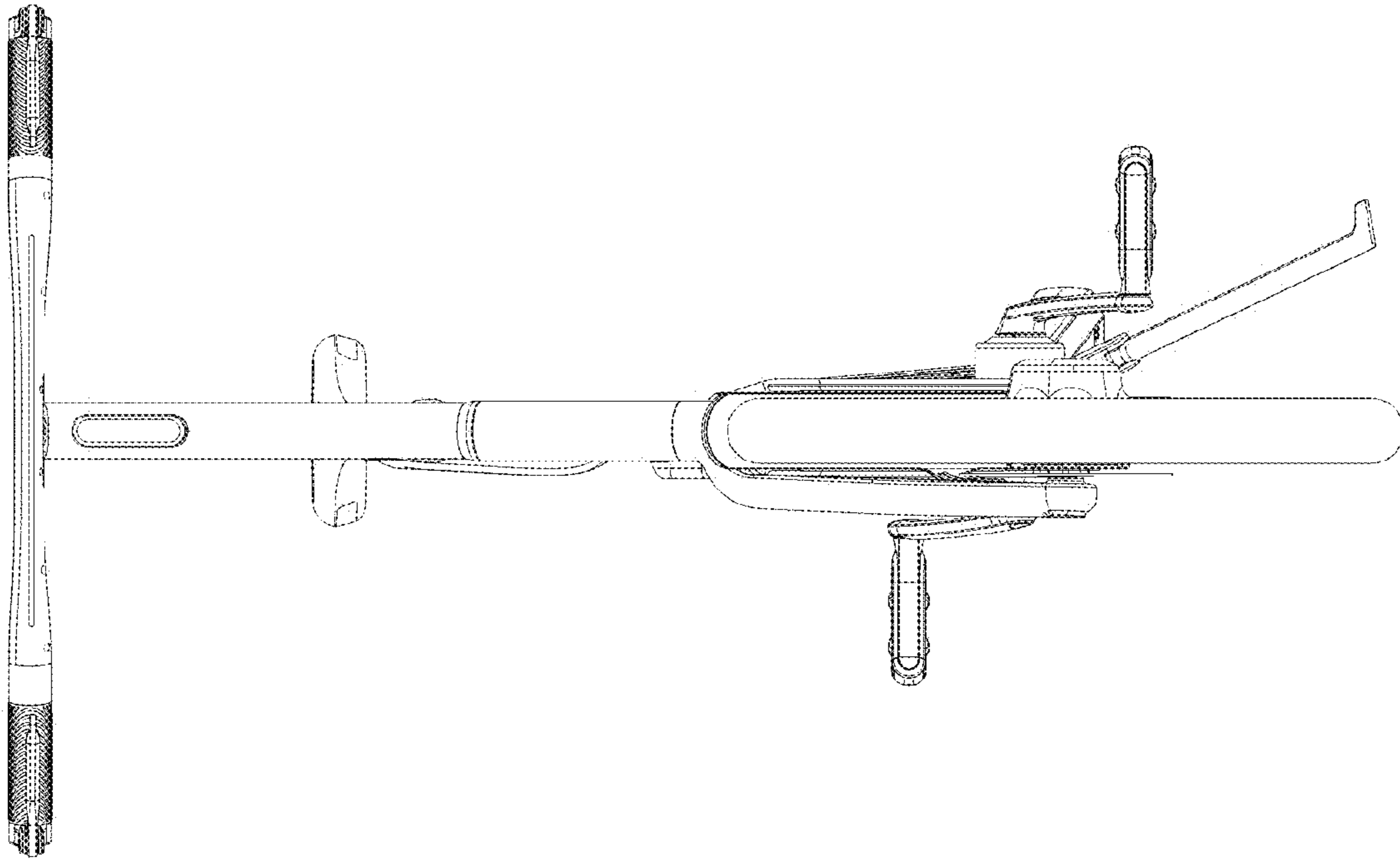


FIG. 4

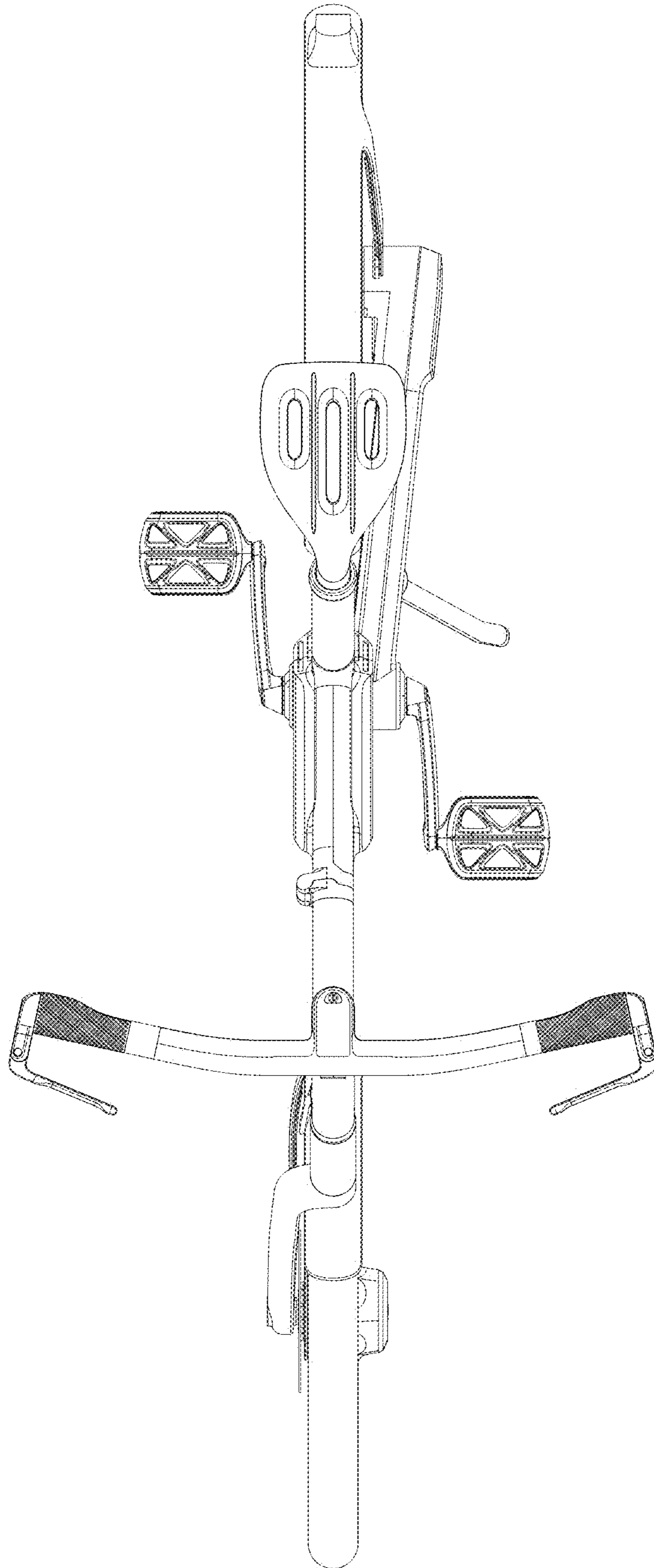


FIG. 5

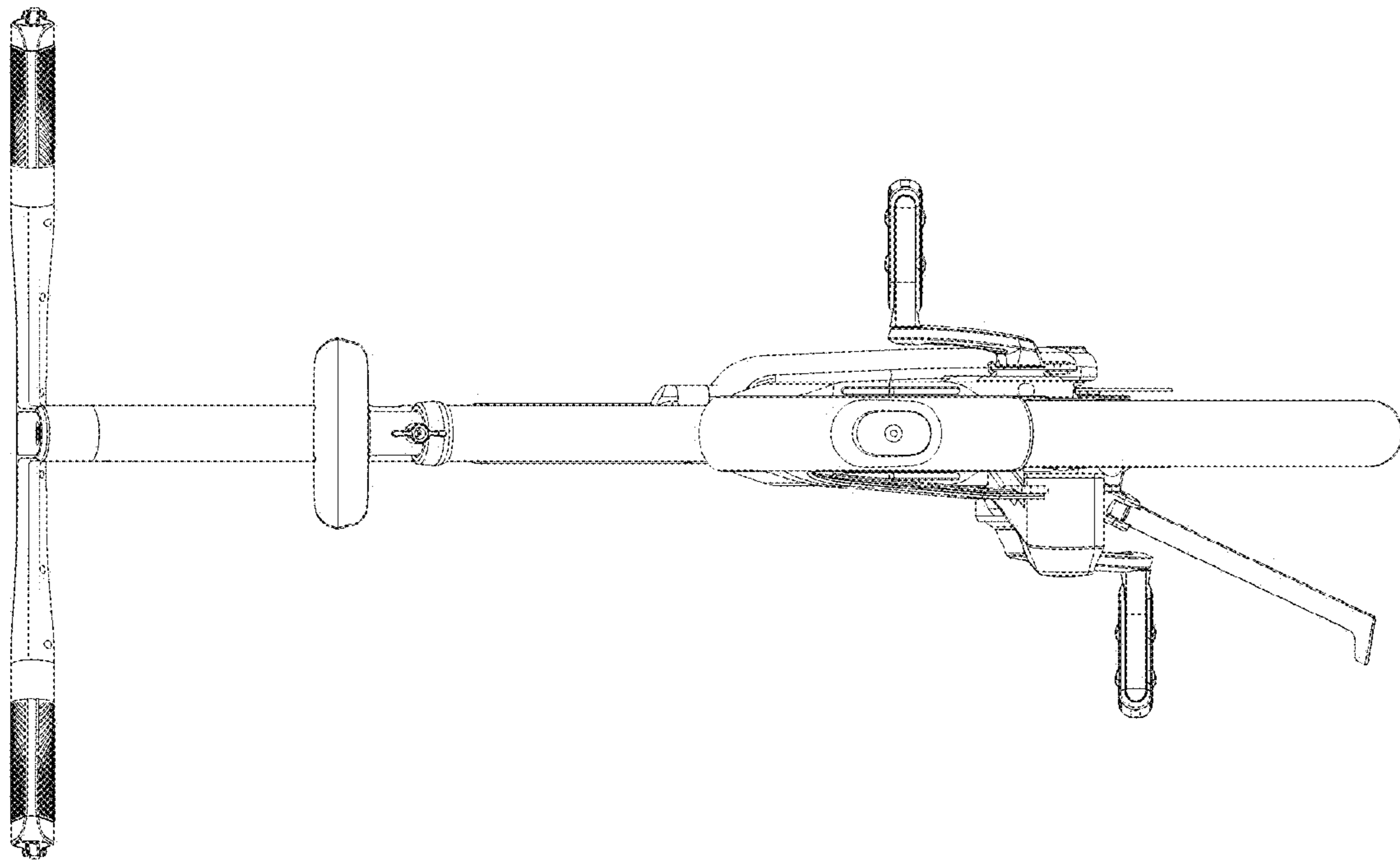


FIG. 6

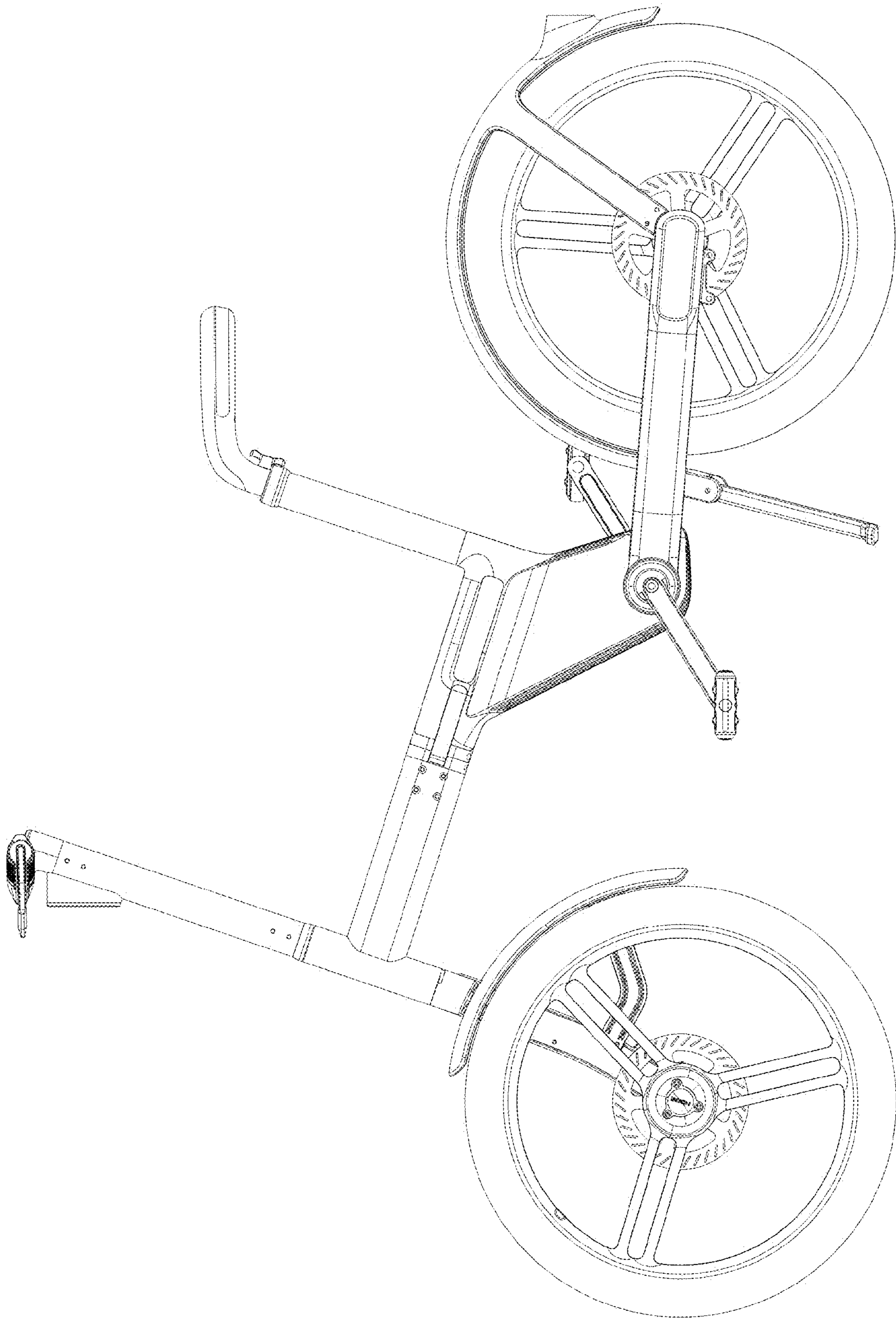


FIG. 7

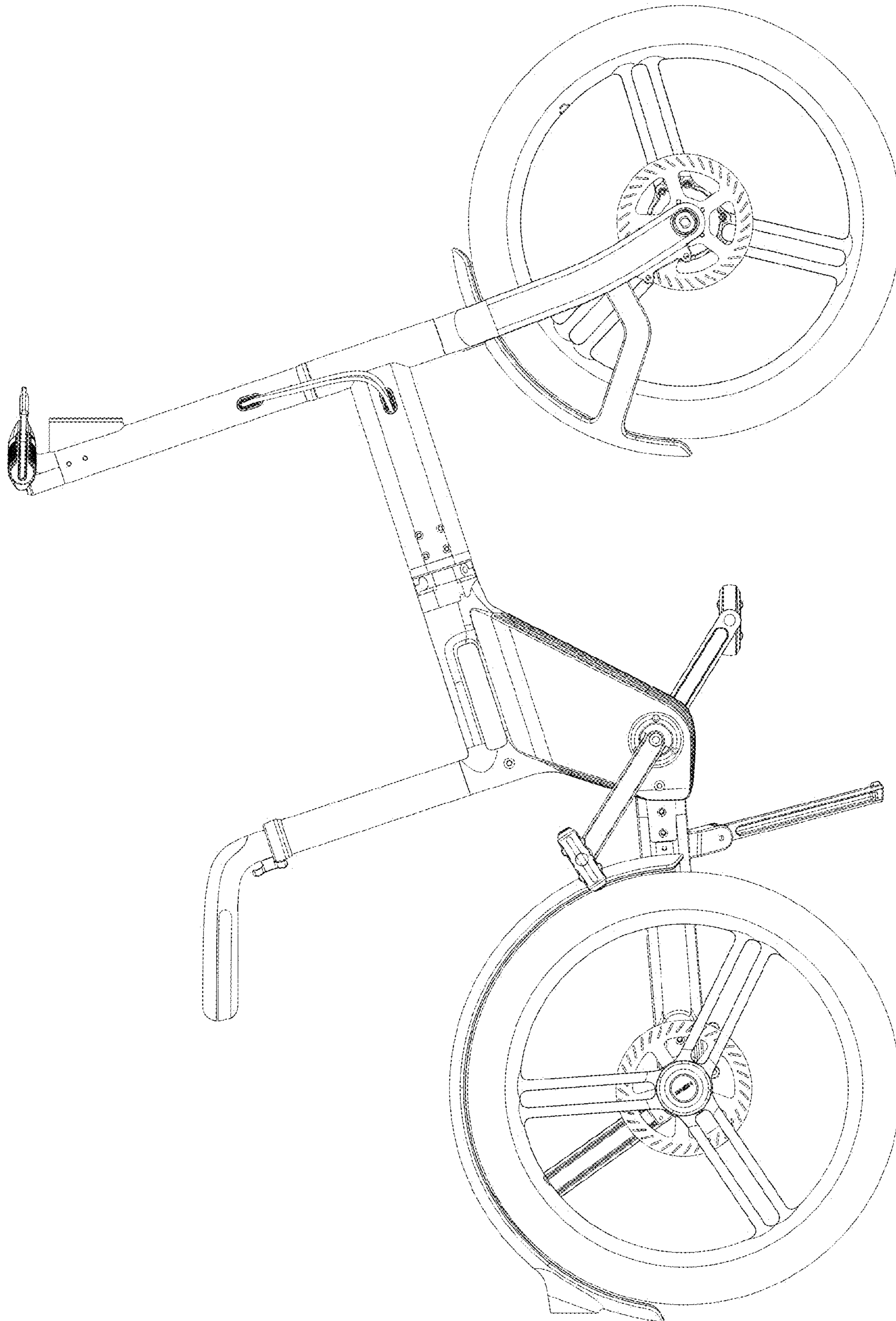


FIG. 8