



US00D917348S

(12) **United States Design Patent**
Shi et al.

(10) **Patent No.:** **US D917,348 S**

(45) **Date of Patent:** **** Apr. 27, 2021**

(54) **ELECTRIC BICYCLE FRAME**

(71) Applicants: **Shenzhen Concepts Wit Technology Co., Ltd.**, Guangdong (CN); **Huai an px industrial design co., LTD.**, Jiangsu (CN)

(72) Inventors: **Cheng Shi**, Shenzhen (CN); **Ruizhuan Feng**, Jiangsu (CN); **Hengfei Tao**, Shenzhen (CN)

(73) Assignees: **SHENZHEN CONCEPTS WIT TECHNOLOGY CO., LTD.**, Shenzhen (CN); **HUAI AN PX INDUSTRIAL DESIGN CO., LTD.**, Huaian (CN)

(**) Term: **15 Years**

(21) Appl. No.: **29/678,918**

(22) Filed: **Jan. 31, 2019**

(30) **Foreign Application Priority Data**

Nov. 5, 2018 (CN) 201830621192.7

(51) **LOC (13) Cl.** **12-11**

(52) **U.S. Cl.**
USPC **D12/111**

(58) **Field of Classification Search**
USPC D12/111, 107, 114, 117, 159; D21/419, D21/424, 427, 432, 663, 664, 666, 697
CPC . B62K 3/00; B62K 3/005; B62K 3/02; B62K 3/04; B62K 11/00; B62K 11/02; B62K 11/10; B62K 11/14; B62K 9/02; B62K 21/12; B62K 21/16; B62K 21/26; B62K 21/02; B62K 21/04; B62K 21/06; B62K 15/006; B62K 2201/04; B62K 25/04; B62K 25/08; B62K 25/16; B62K 25/30; B62K 19/02; B62K 19/08; B62K 19/16
See application file for complete search history.

(56) **References Cited**

U.S. PATENT DOCUMENTS

D398,266 S *	9/1998	Colegrove	D12/111
D419,492 S *	1/2000	Egger	D12/111
D442,120 S *	5/2001	Yeh	D12/111
D622,638 S *	8/2010	Uimonen	D12/111
D625,228 S *	10/2010	Lockart	D12/111
D649,495 S *	11/2011	Blumel	D12/111

(Continued)

OTHER PUBLICATIONS

Onebotbike, Bike2Work Project Bush Combine The Healthy with E-Bike, posted Feb. 24, 2018, [online], [visited Jul. 2, 2020]. Internet, <URL: <http://www.onebotbike.com/a/news/Bike2Work.html>> (Year: 2018).*

(Continued)

Primary Examiner — Sheryl Lane

Assistant Examiner — Samantha N Wood

(74) *Attorney, Agent, or Firm* — James L. Young; Westman Champlin & Koehler, P.A.

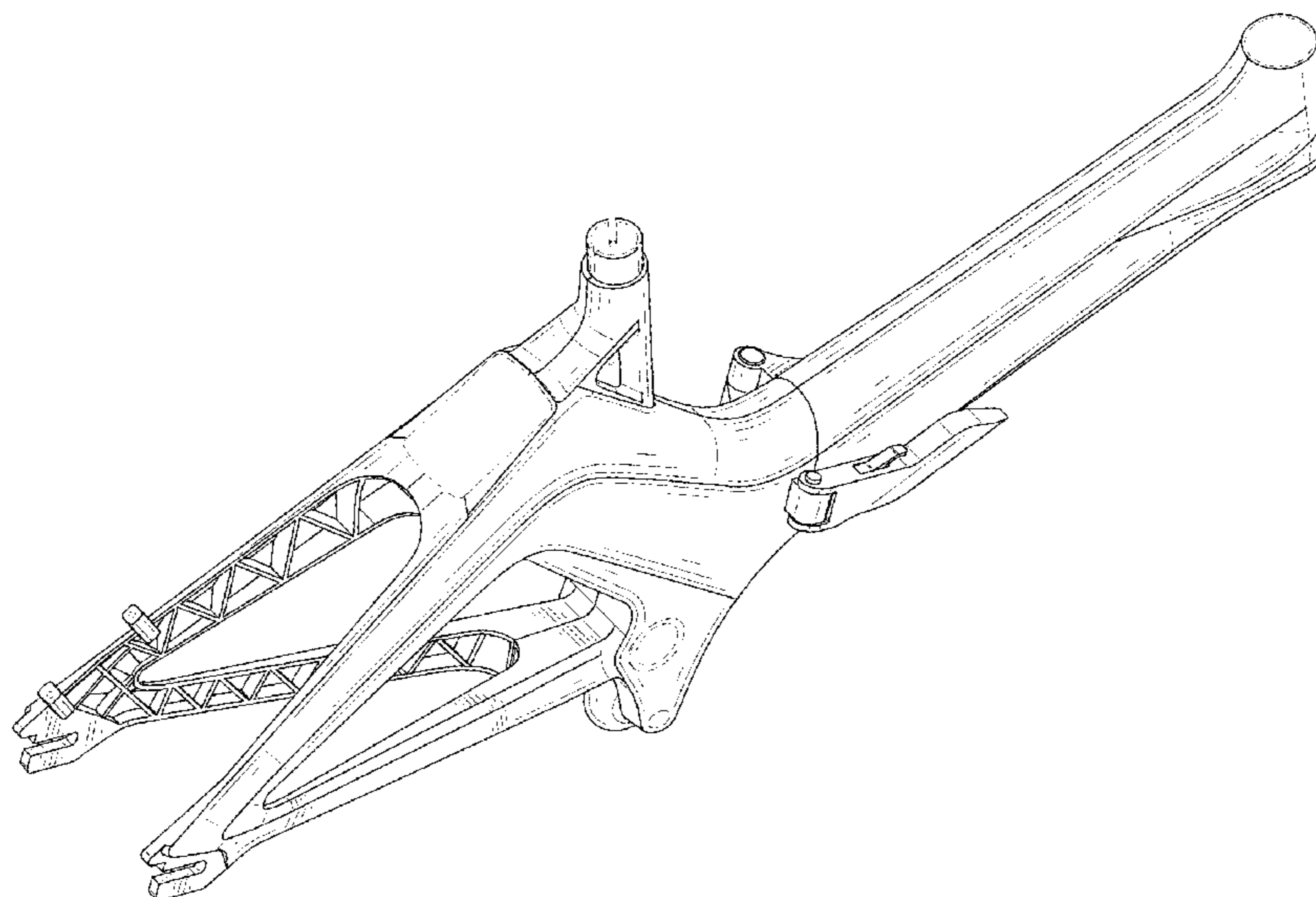
(57) **CLAIM**

The ornamental design for an electric bicycle frame, as shown and described.

DESCRIPTION

FIG. 1 is a first perspective view thereof, from a top, rear and right side thereof;
FIG. 2 is a second perspective view thereof, from a bottom, front and left side thereof;
FIG. 3 is a right side view thereof;
FIG. 4 is a left side view thereof;
FIG. 5 is a rear view thereof;
FIG. 6 is a front view thereof;
FIG. 7 is a top view thereof; and,
FIG. 8 is a bottom view thereof.
The evenly spaced dashed lines form no part of the claimed invention.

1 Claim, 8 Drawing Sheets



(56)

References Cited

U.S. PATENT DOCUMENTS

D666,536 S * 9/2012 Uimonen D12/111
D666,946 S * 9/2012 Uimonen D12/111
2010/0133778 A1* 6/2010 Munksoe B62K 11/00
280/281.1

OTHER PUBLICATIONS

Youtube, Onebot S6, posted Sep. 3, 2017, [online], [visited Jul. 2, 2020]. Internet, <URL: <https://www.youtube.com/watch?v=I9qeF9wVGb4>> (Year: 2017).*

* cited by examiner

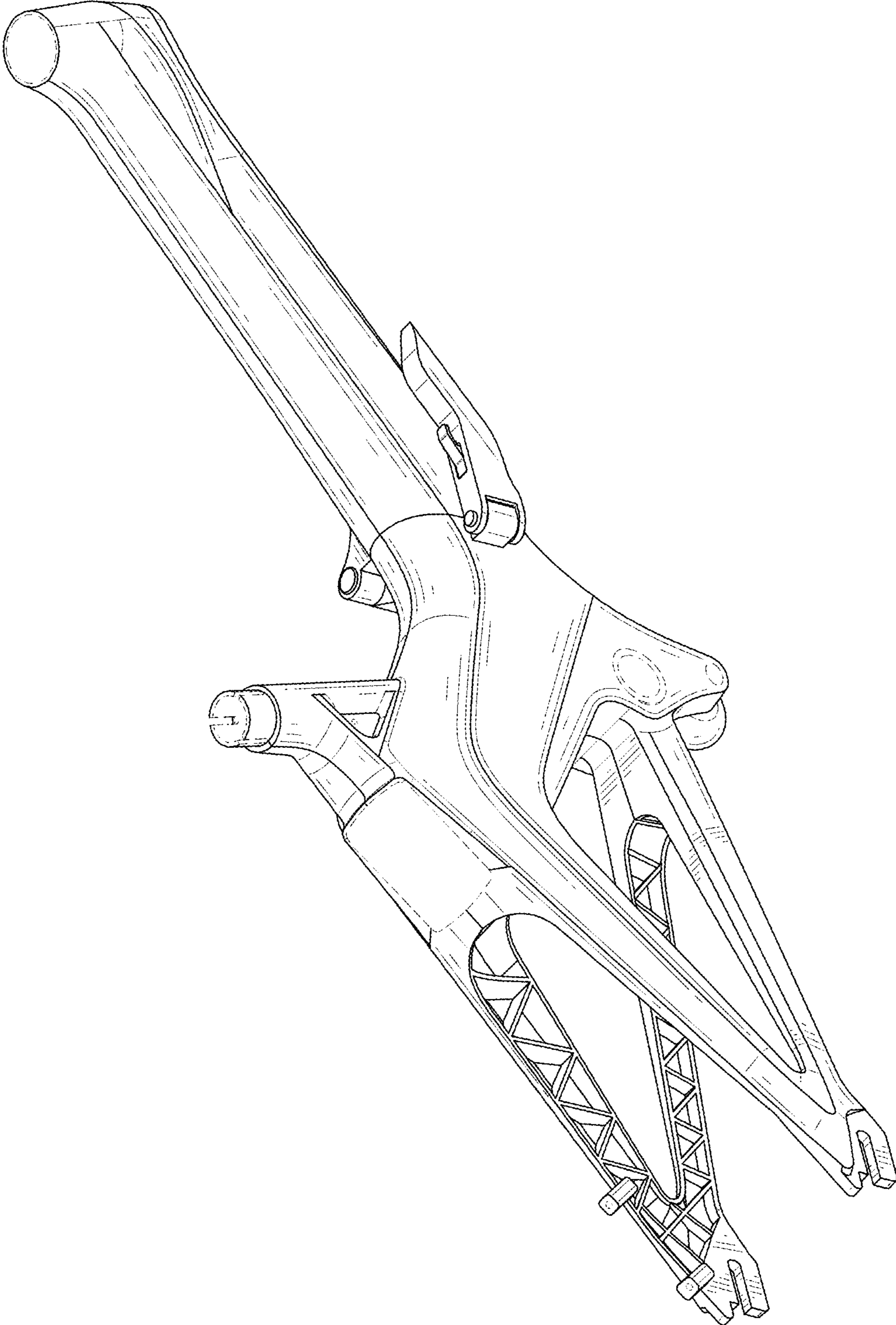


FIG. 1

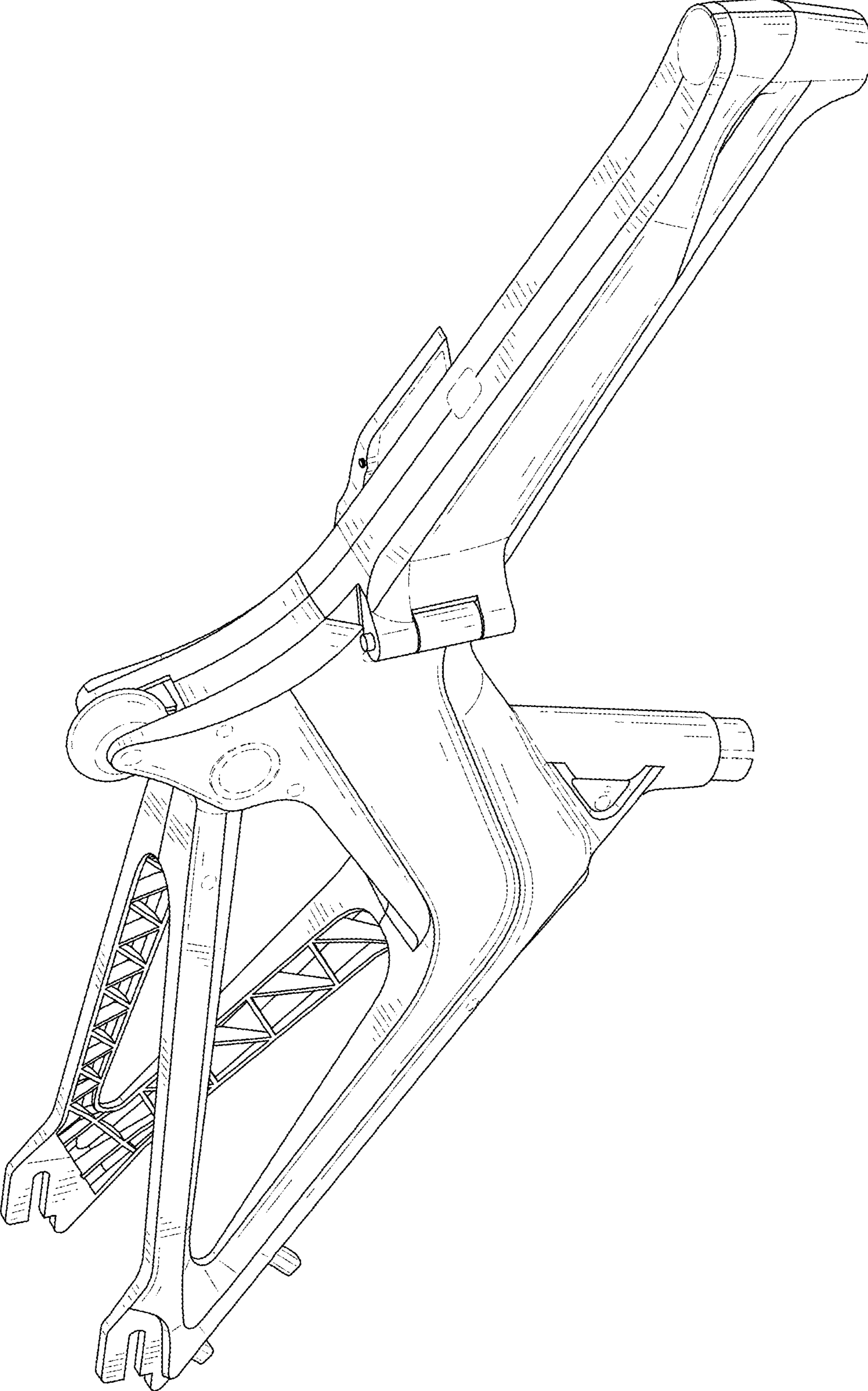


FIG. 2

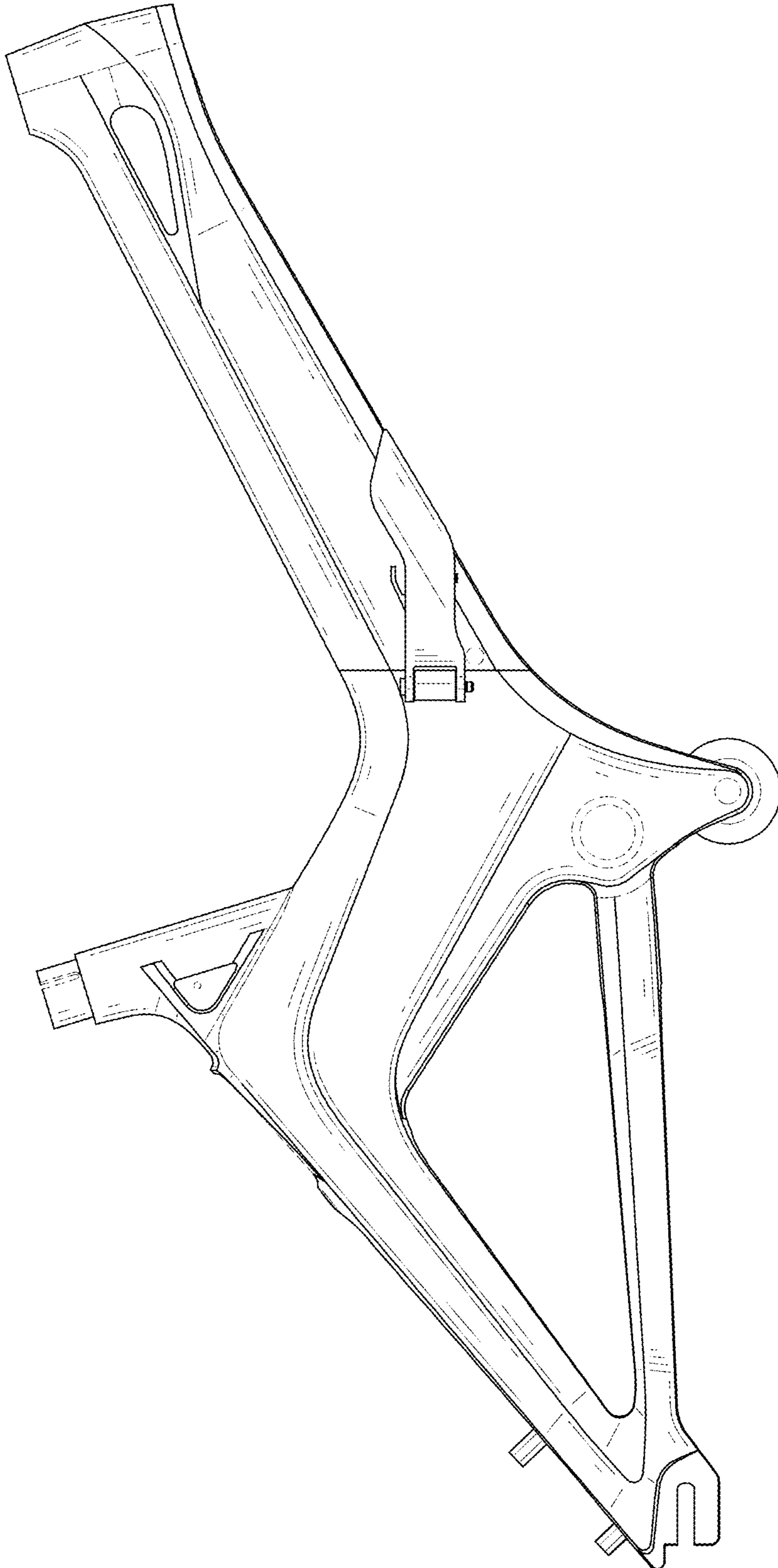


FIG. 3

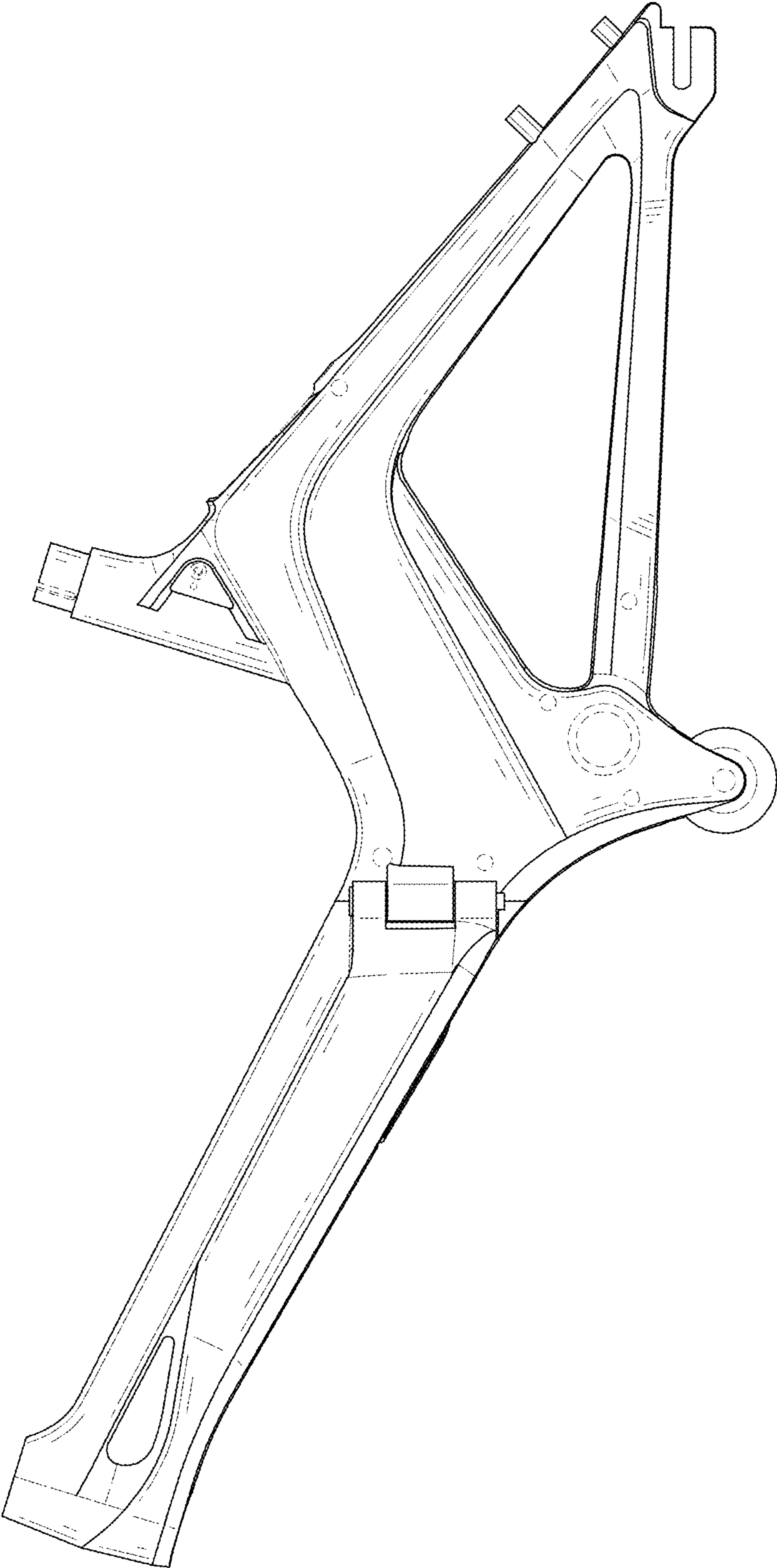


FIG. 4

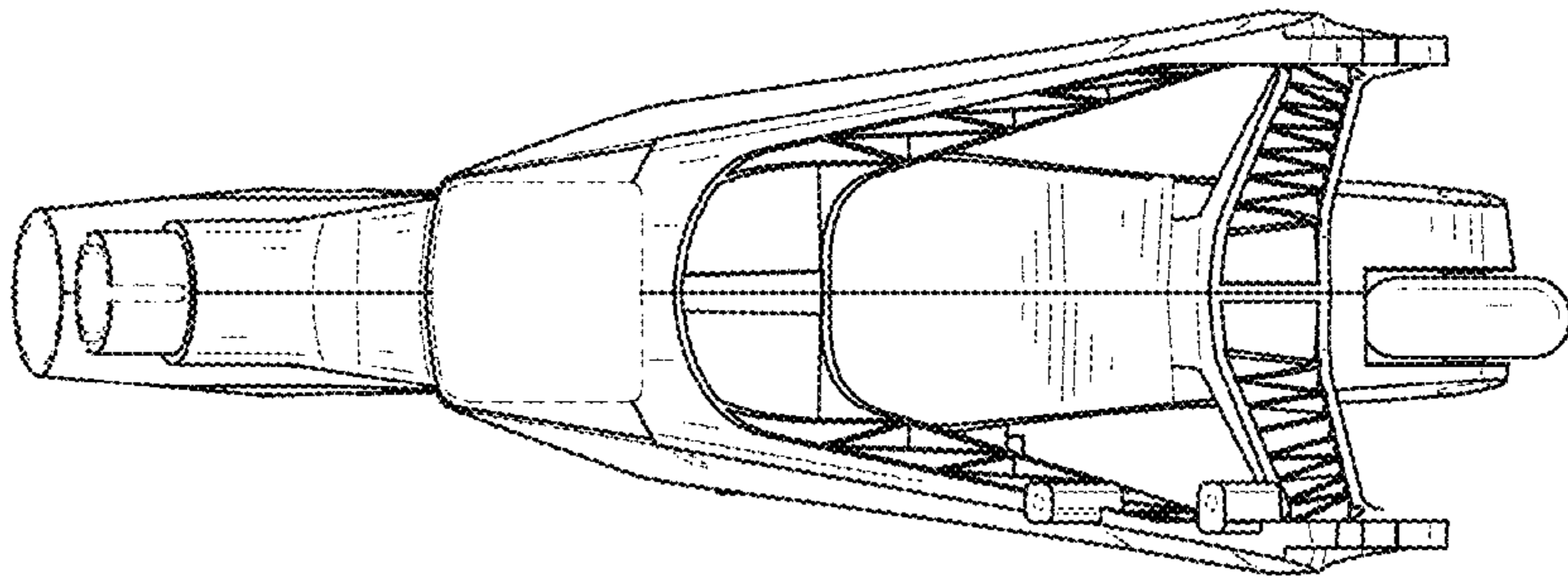


FIG. 5

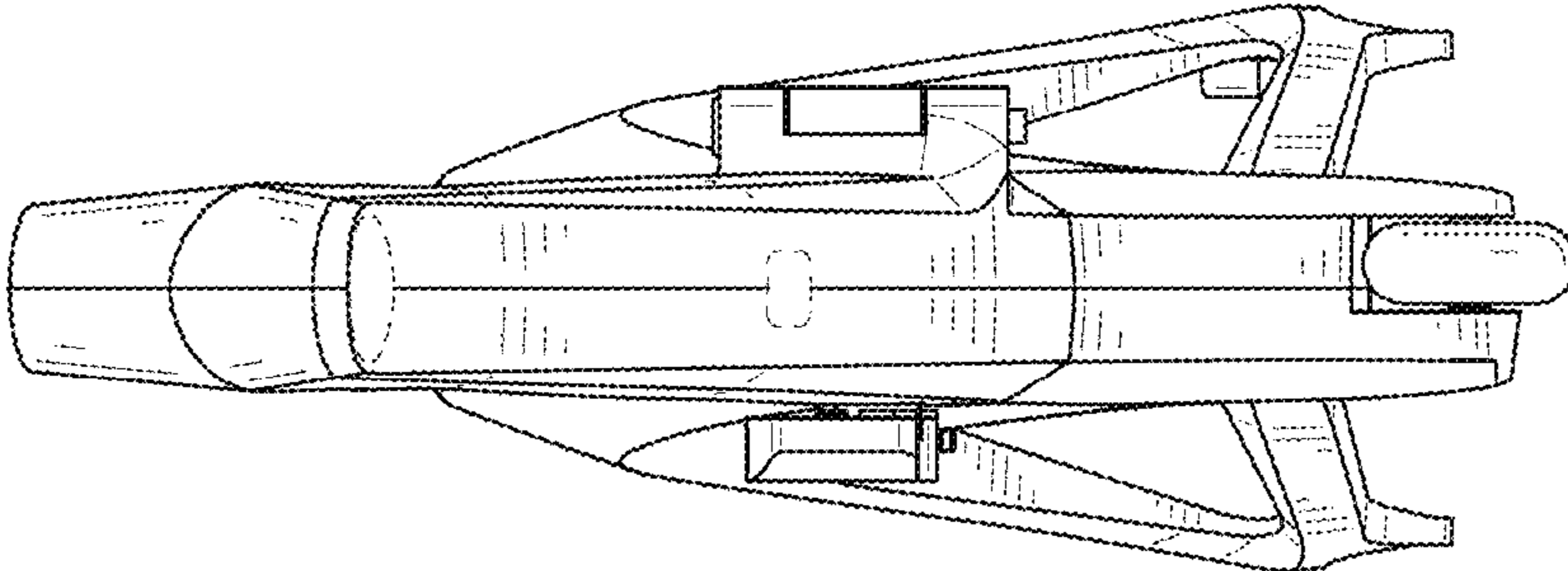


FIG. 6

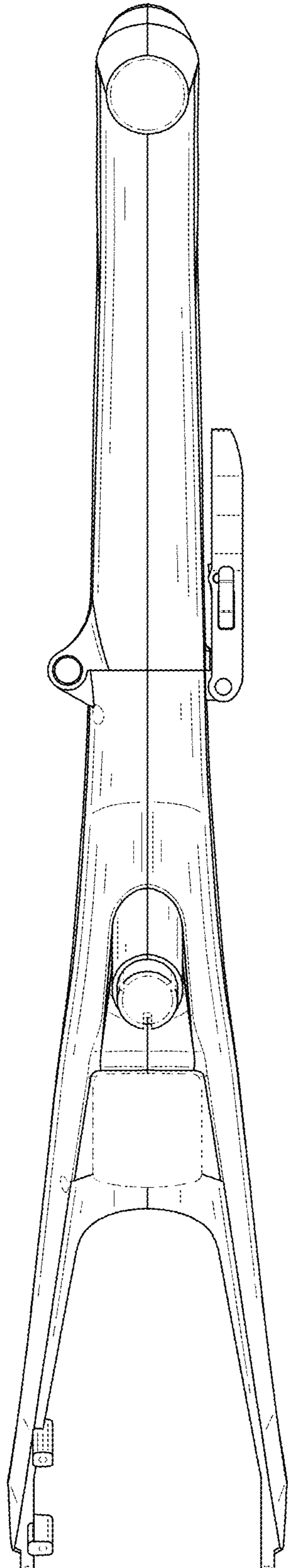


FIG. 7

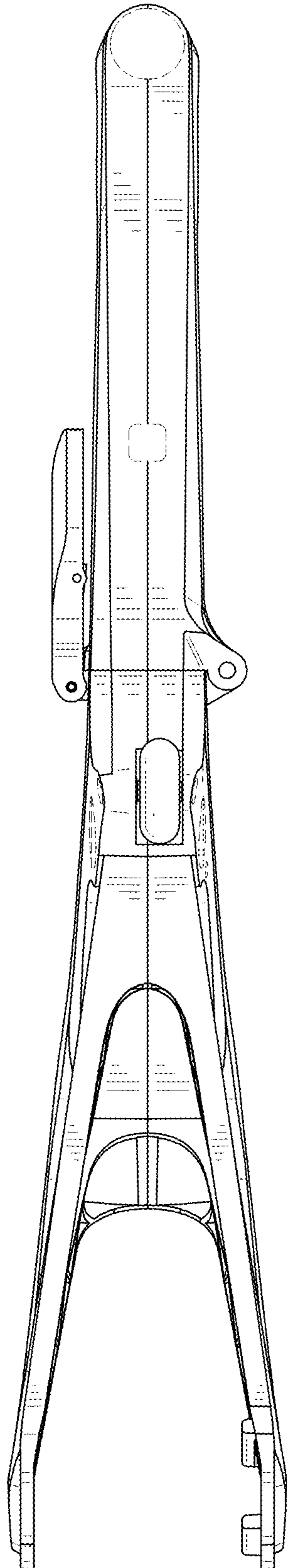


FIG. 8