



US00D917342S

(12) **United States Design Patent**  
**Choi et al.**

(10) **Patent No.:** **US D917,342 S**  
(45) **Date of Patent:** **\*\* Apr. 27, 2021**

(54) **RACING KART**  
(71) Applicant: **MONOLITH INC.**, Jeju-si (KR)  
(72) Inventors: **Ji Woong Choi**, Seoul (KR); **Gyu Hyuk Jung**, Jeju-si (KR); **Na Young Kim**, Jeju-si (KR)  
(73) Assignee: **MONOLITH INC.**, Jeju-si (KR)

10,543,776 B2 \* 1/2020 Matsushima ..... B60Q 1/2696  
D892,678 S \* 8/2020 Chen ..... F21S 43/19  
D12/87  
D894,791 S \* 9/2020 Lin ..... D12/88  
D903,530 S \* 12/2020 Choi ..... B62D 21/183  
D12/87  
2002/0017418 A1 \* 2/2002 Korenjack ..... B60K 17/04  
180/291  
2019/0100131 A1 \* 4/2019 Matsushima ..... F21S 43/19

(\*\*) Term: **15 Years**  
(21) Appl. No.: **35/508,371**

\* cited by examiner

(22) Filed: **Apr. 15, 2019**

*Primary Examiner* — George D. Kirschbaum

*Assistant Examiner* — Calvin E Vansant

(80) **Hague Agreement Data**

Int. Filing Date: **Apr. 15, 2019**  
Int. Reg. No.: **DM/205331**  
Int. Reg. Date: **Apr. 15, 2019**  
Int. Reg. Pub. Date: **Jan. 24, 2020**

(74) *Attorney, Agent, or Firm* — Revolution IP, PLLC

(30) **Foreign Application Priority Data**

Oct. 15, 2018 (KR) ..... 3020180047228

(51) **LOC (13) Cl.** ..... **12-08**

(52) **U.S. Cl.**  
USPC ..... **D12/88**

(58) **Field of Classification Search**  
USPC ..... D12/86–88, 90–92, 184, 196; D21/424,  
D21/433, 434, 533, 548  
CPC ..... B62D 25/00; B62D 25/02; B62D 25/06;  
B62D 35/00; B62D 35/005; B60J 5/04  
See application file for complete search history.

(56) **References Cited**

U.S. PATENT DOCUMENTS

6,039,335 A \* 3/2000 Sheridan ..... B62D 21/183  
280/124.103  
D452,188 S \* 12/2001 Hettich ..... D12/86  
D705,128 S \* 5/2014 Patterson ..... B60K 17/04  
D12/87

(57) **CLAIM**

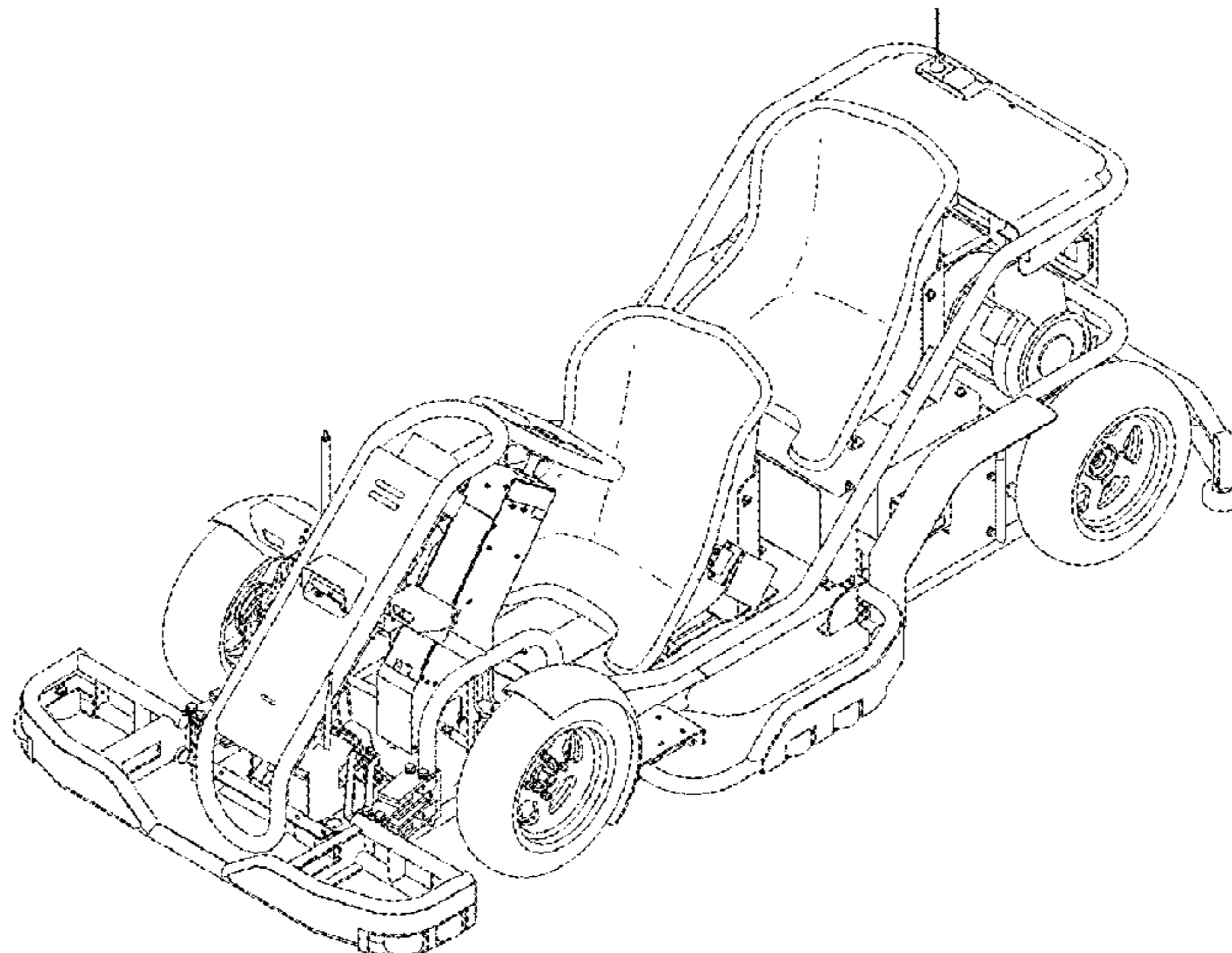
The ornamental design for a racing kart, as shown and described.

**DESCRIPTION**

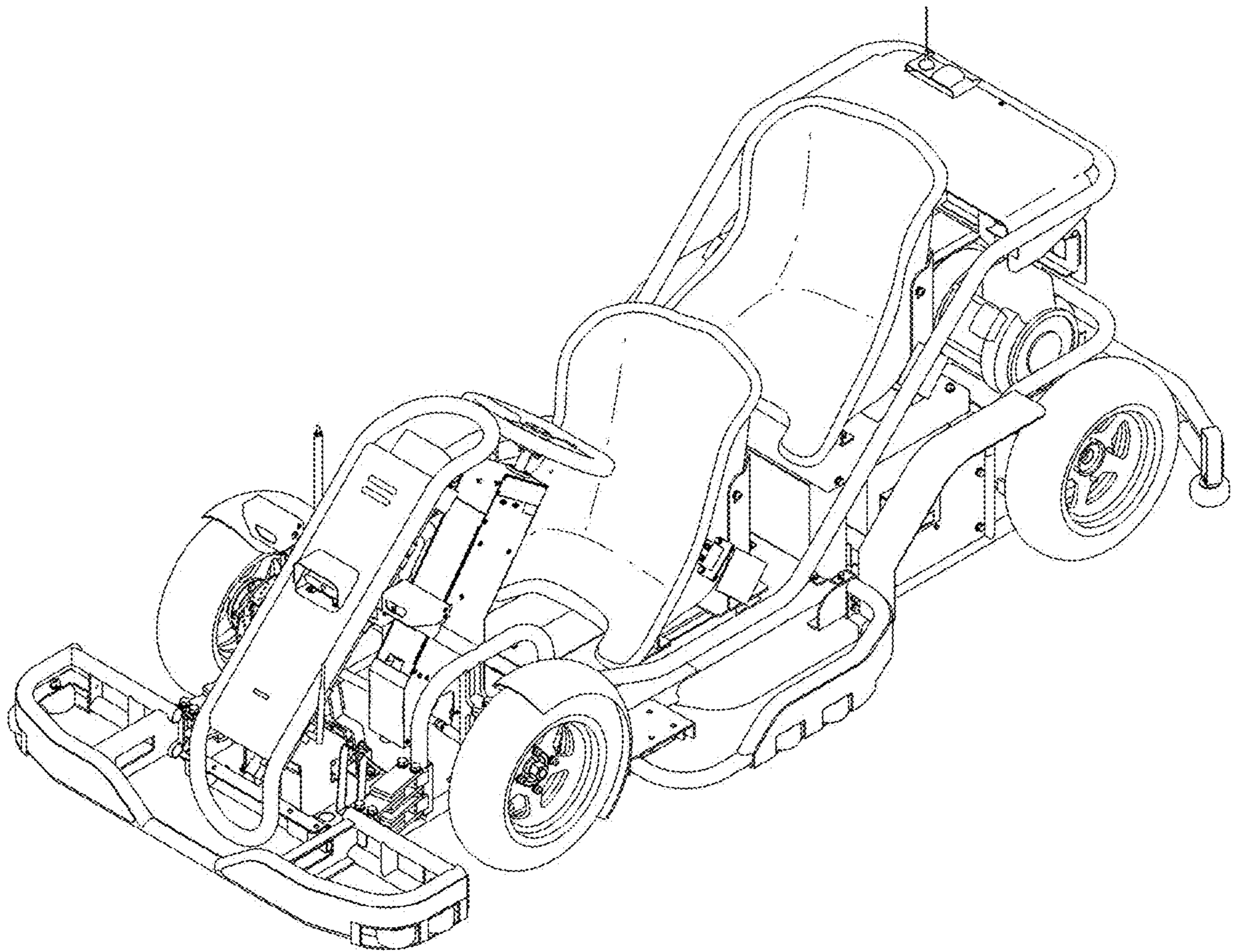
- 1. Racing Kart
- 1.1 : Perspective
- 1.2 : Front
- 1.3 : Back
- 1.4 : Top
- 1.5 : Bottom
- 1.6 : Left
- 1.7 : Right

The broken lines in the figures depict portions of the racing kart that form no part of the claimed design.

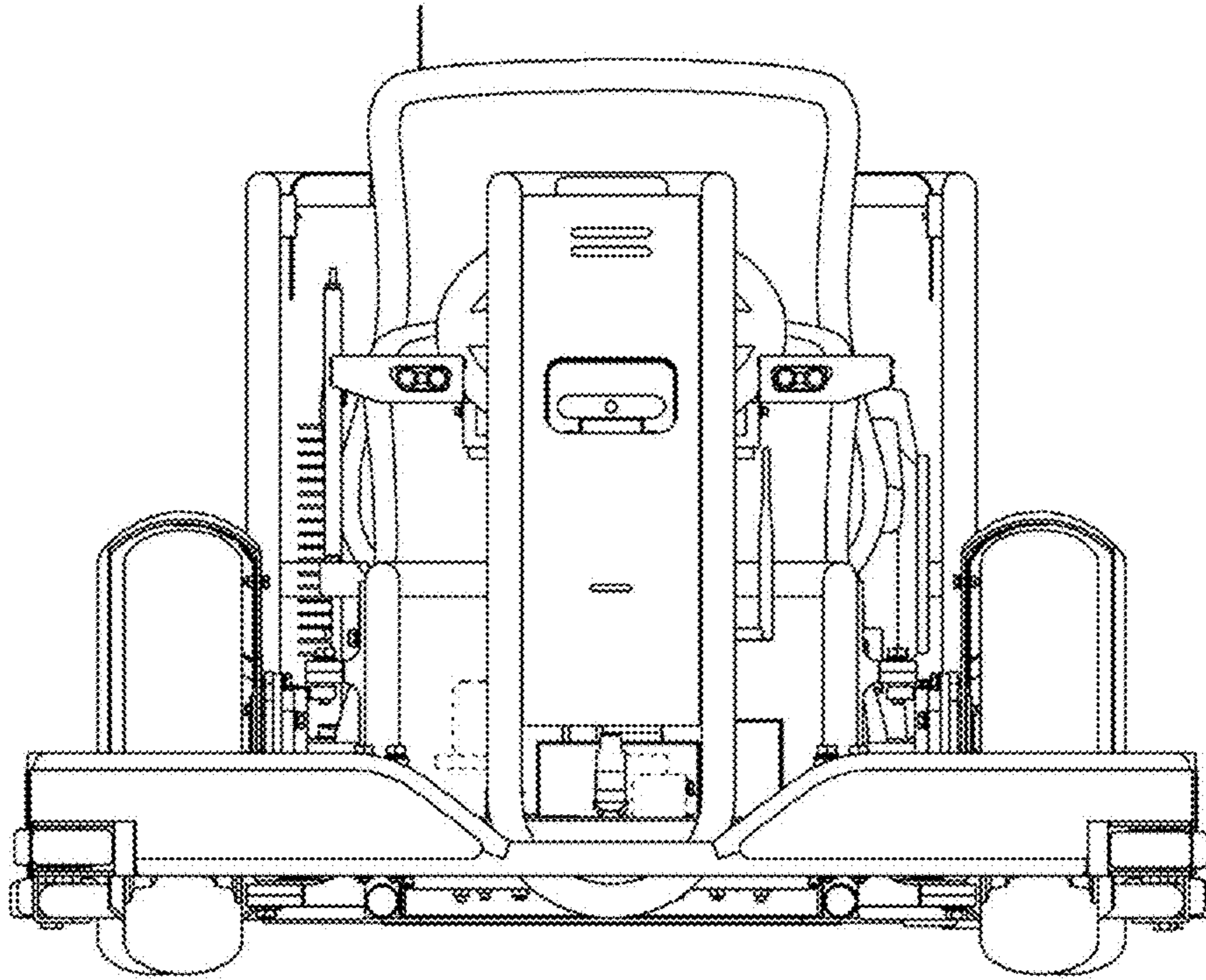
**1 Claim, 7 Drawing Sheets**



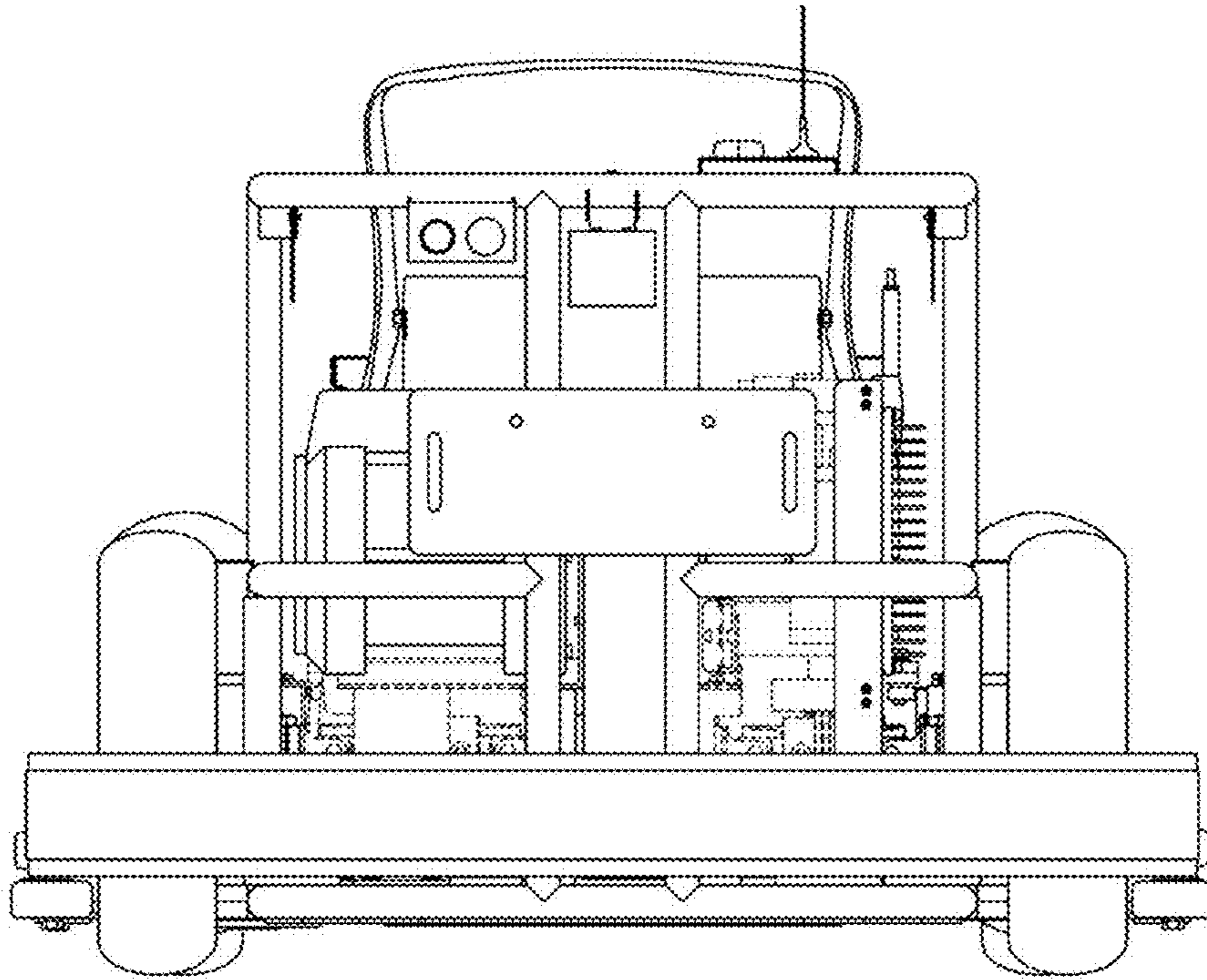
1.1



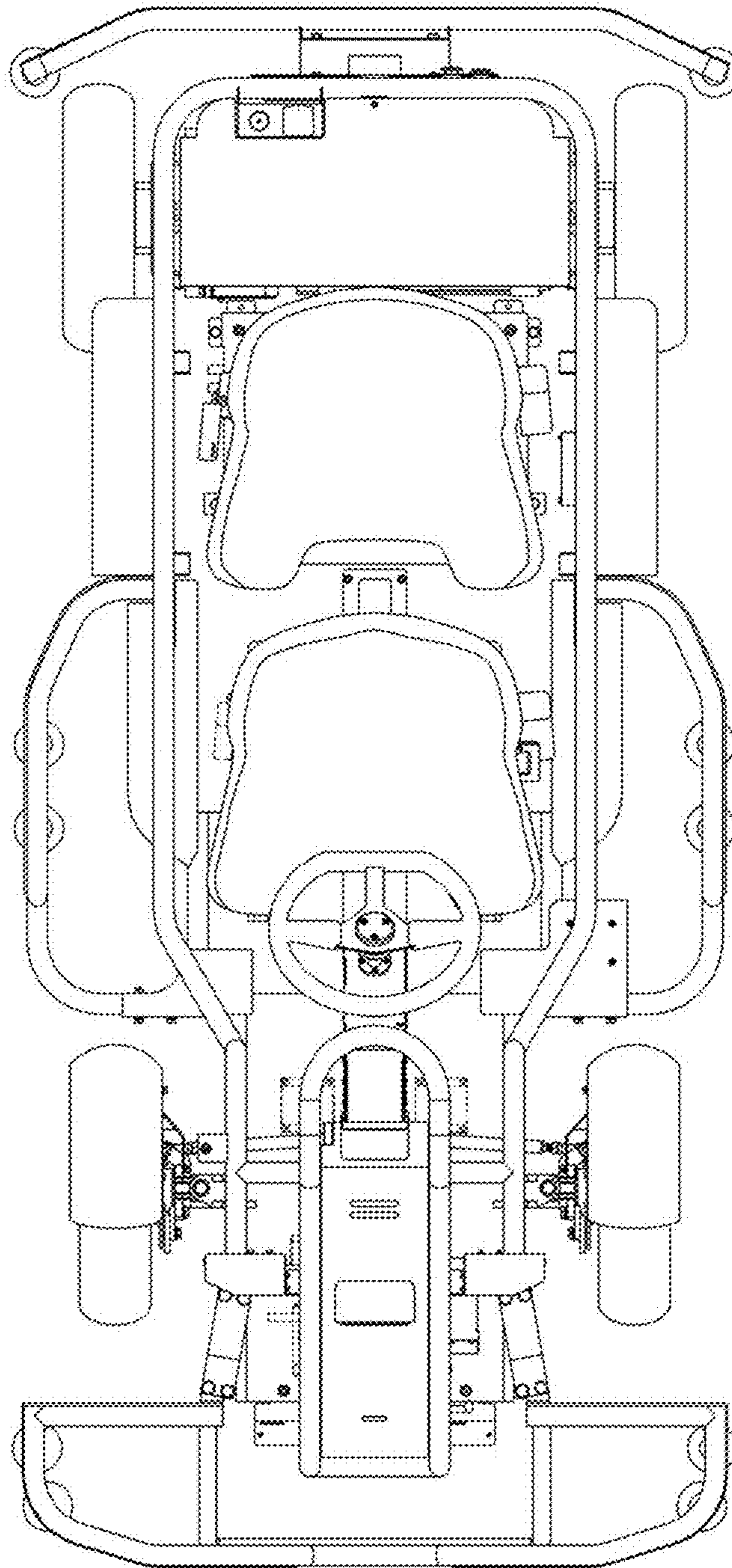
1.2



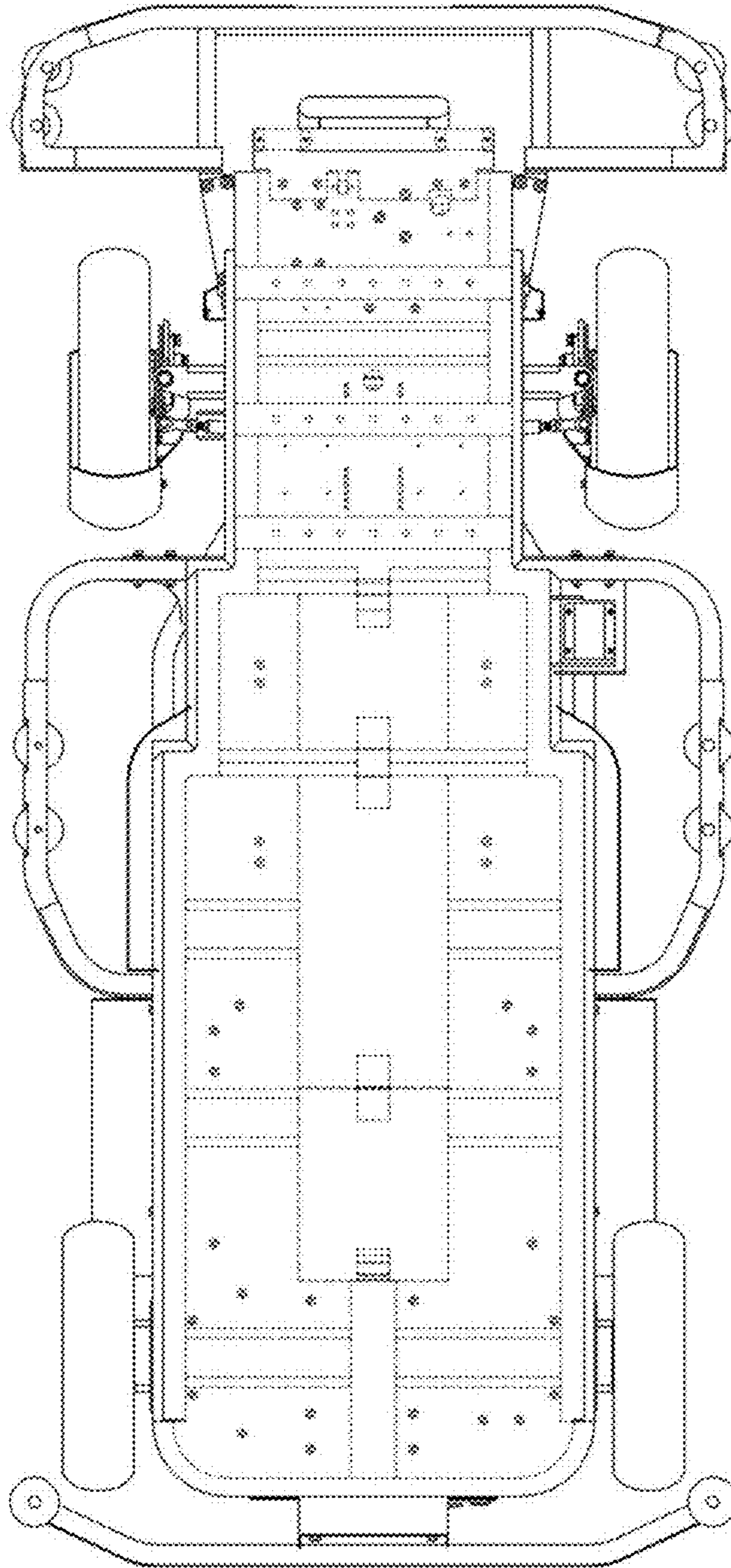
1.3



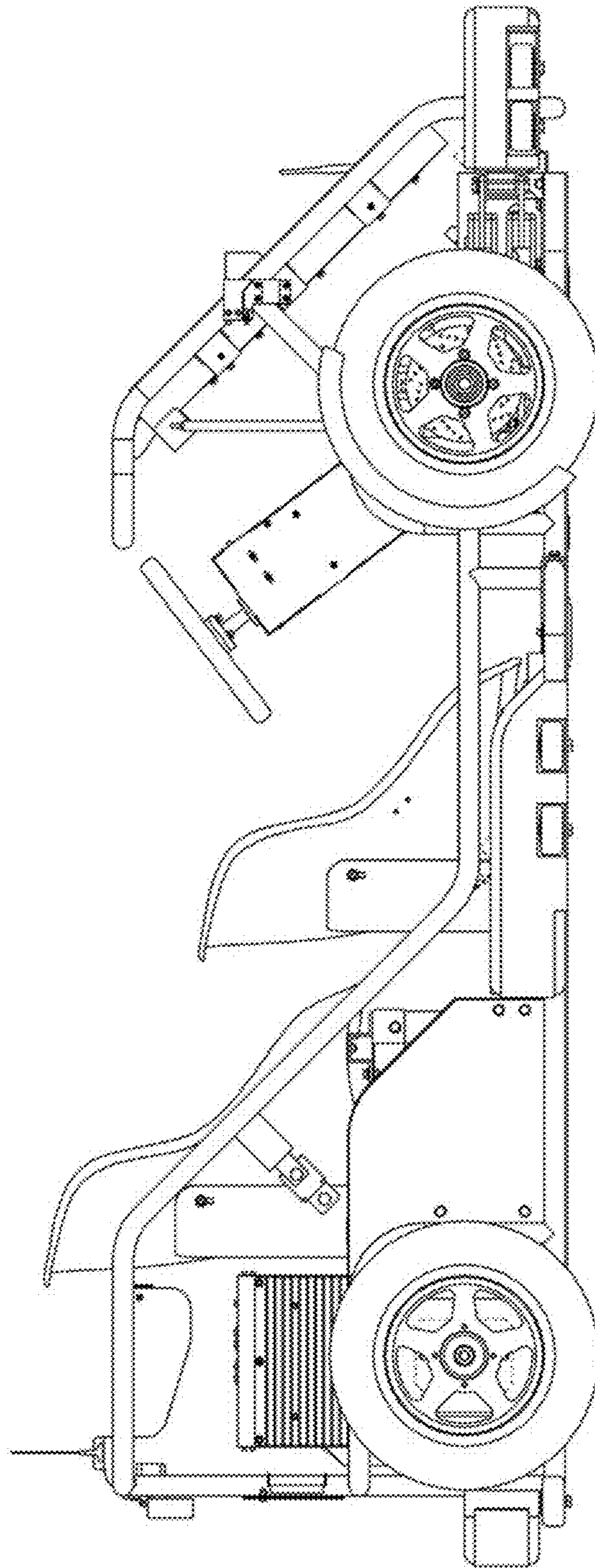
1.4



1.5



1.6



1.7

