



US00D917341S

(12) **United States Design Patent** (10) **Patent No.:** **US D917,341 S**
Katz et al. (45) **Date of Patent:** **** Apr. 27, 2021**

(54) **DELIVERY AUTONOMOUS GROUND VEHICLE**

(71) Applicant: **Amazon Technologies, Inc.**, Seattle, WA (US)

(72) Inventors: **Gregory Katz**, San Francisco, CA (US); **Christopher Jones**, San Francisco, CA (US); **Ennio Claretti**, Seattle, WA (US); **Robert Curtis**, San Francisco, CA (US); **Nicolas Hostein**, Seattle, WA (US); **Peter Johnson**, Seattle, WA (US); **Nicolas Kurczewski**, Seattle, WA (US); **Sean Scott**, Sammamish, WA (US); **Brett Skaloud**, Seattle, WA (US); **Andrew Stubbs**, Seattle, WA (US); **Scott Waters**, Hollis, NH (US)

(73) Assignee: **Amazon Technologies, Inc.**, Seattle, WA (US)

(**) Term: **15 Years**

(21) Appl. No.: **29/672,893**

(22) Filed: **Dec. 10, 2018**

(51) **LOC (13) Cl.** **12-13**

(52) **U.S. Cl.**
USPC **D12/86**

(58) **Field of Classification Search**
USPC D7/605, 606, 629; D12/14, 16.1, 86, 88, D12/90; D15/199; D21/533
CPC .. B62D 39/00; B65D 81/389; B65D 81/3897; Y10S 901/01
See application file for complete search history.

(56) **References Cited**

U.S. PATENT DOCUMENTS

D165,195 S * 11/1951 Schlumbohm D12/86
D401,407 S * 11/1998 Bro D3/271.12

D506,162 S * 6/2005 Collinson D12/102
D510,545 S * 10/2005 Riegel D12/102
D516,869 S * 3/2006 Beal D21/423
D594,385 S * 6/2009 Cadotte D12/102
D606,904 S * 12/2009 Greer D12/102
D608,158 S * 1/2010 Beal D7/605
D813,101 S * 3/2018 Devine D12/102
D818,397 S * 5/2018 Makela D12/86

(Continued)

FOREIGN PATENT DOCUMENTS

CN 304414006 * 12/2017

OTHER PUBLICATIONS

Amazon Scout YouTube Posted Jan. 23, 2019 (Year: 2019).*
(Continued)

Primary Examiner — Leanne Was-Englehart

(74) *Attorney, Agent, or Firm* — BakerHostetler

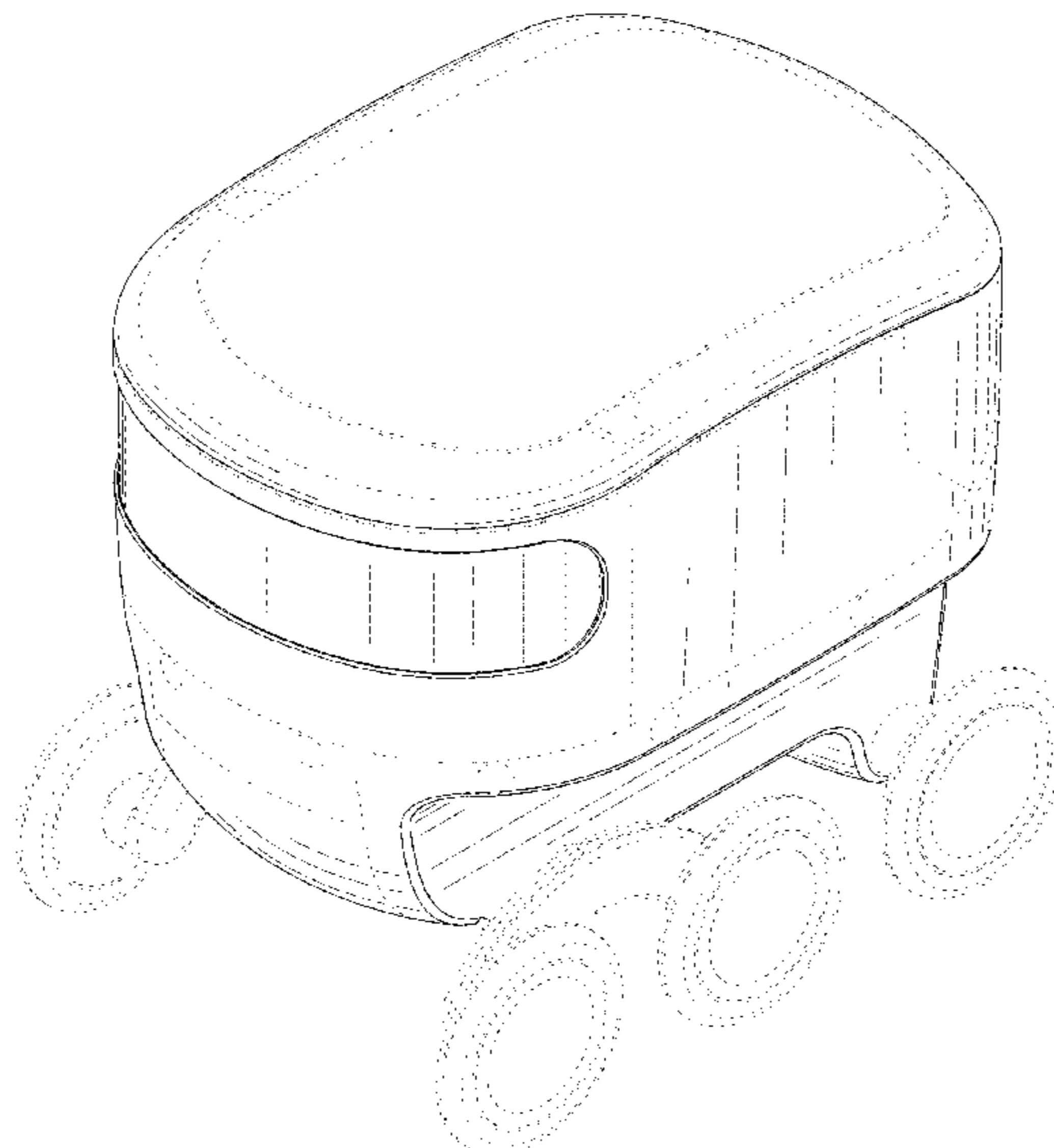
(57) **CLAIM**

The ornamental design for a delivery autonomous ground vehicle, as shown and described.

DESCRIPTION

FIG. 1 is a front top perspective view of a delivery autonomous ground vehicle according to our new design; FIG. 2 is a rear top perspective view thereof; FIG. 3 is a front bottom perspective view thereof; FIG. 4 is a rear bottom perspective view thereof; FIG. 5 is a front end view thereof; FIG. 6 is a rear end view thereof; FIG. 7 is a side view thereof; FIG. 8 is side view thereof, opposite of the view of FIG. 7; FIG. 9 is a top view thereof; and, FIG. 10 is a bottom view thereof. The broken lines depict portions of the delivery autonomous ground vehicle that form no part of the claimed design.

1 Claim, 9 Drawing Sheets



(56)

References Cited

U.S. PATENT DOCUMENTS

D821,265 S * 6/2018 Makela D12/86
10,005,609 B1 * 6/2018 Biene B65D 81/38
D824,976 S * 8/2018 Makela D15/199
D856,849 S * 8/2019 Makela D12/86
D863,387 S * 10/2019 Wang D15/199
D866,393 S * 11/2019 Asai D12/1
D868,863 S * 12/2019 Makela D15/199
D882,661 S * 4/2020 Jafarzadeh D15/199
D883,039 S * 5/2020 Rigoli D7/605
D883,354 S * 5/2020 Jafarzadeh D15/199
2018/0194411 A1 * 7/2018 Liivik B60G 17/019

OTHER PUBLICATIONS

Amazon Pilots Autonomous Delivery Vehicles in Seattle Area
<https://progressivegrocer.com/amazon-pilots-autonomous-delivery-vehicles-seattle-area> Posted Jan. 24, 2019 (Year: 2019).*

* cited by examiner

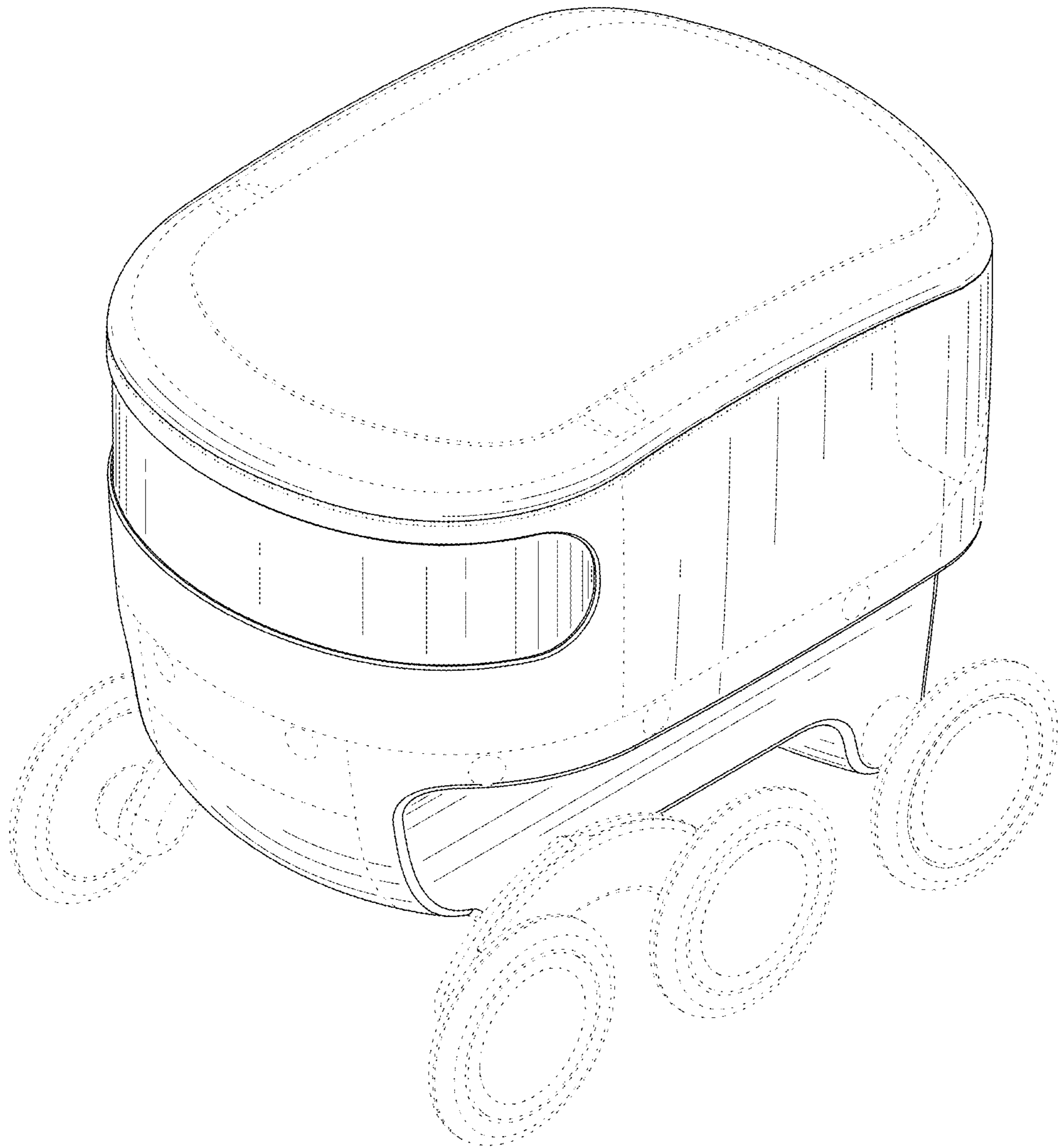


FIG. 1

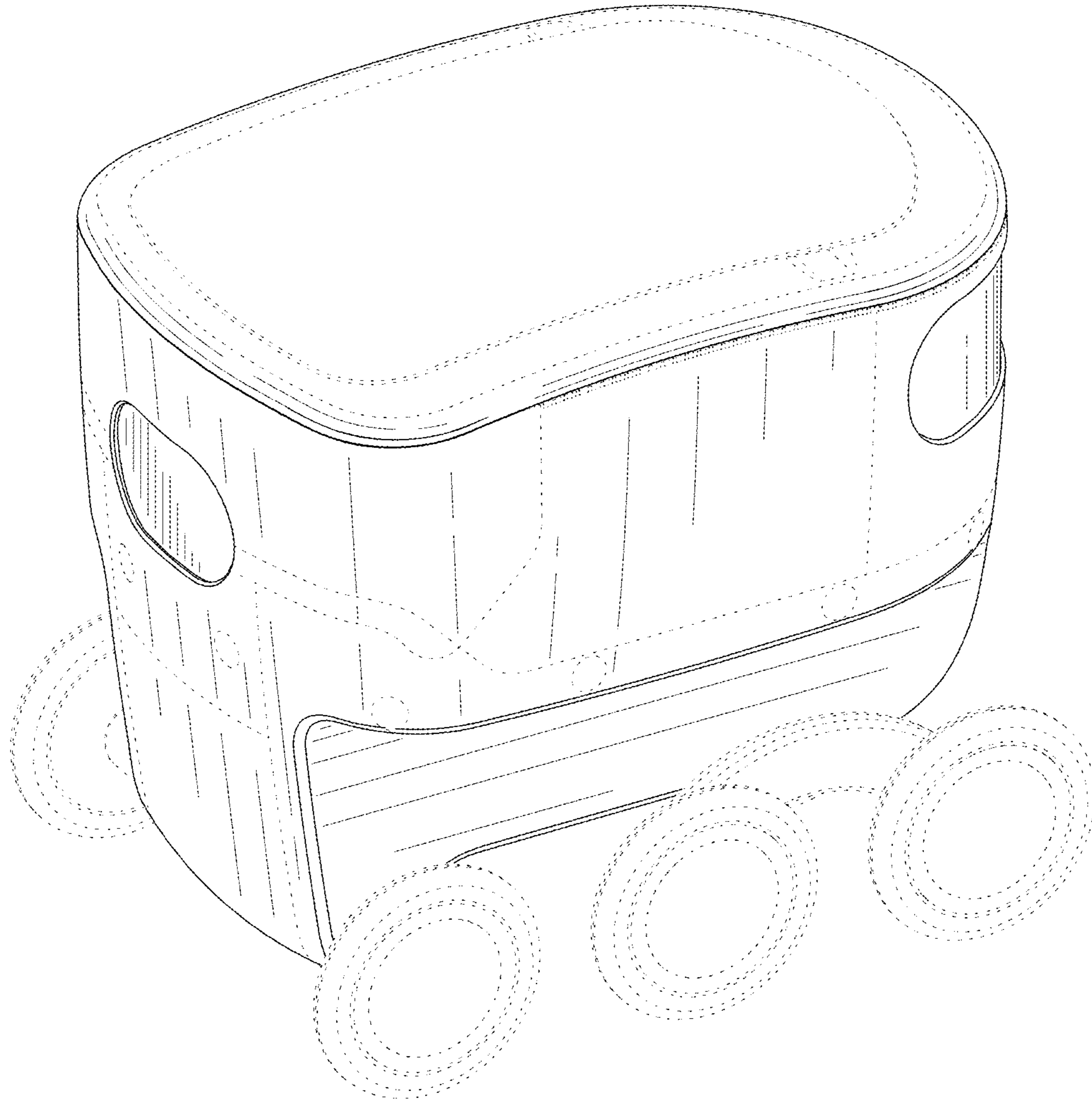


FIG. 2

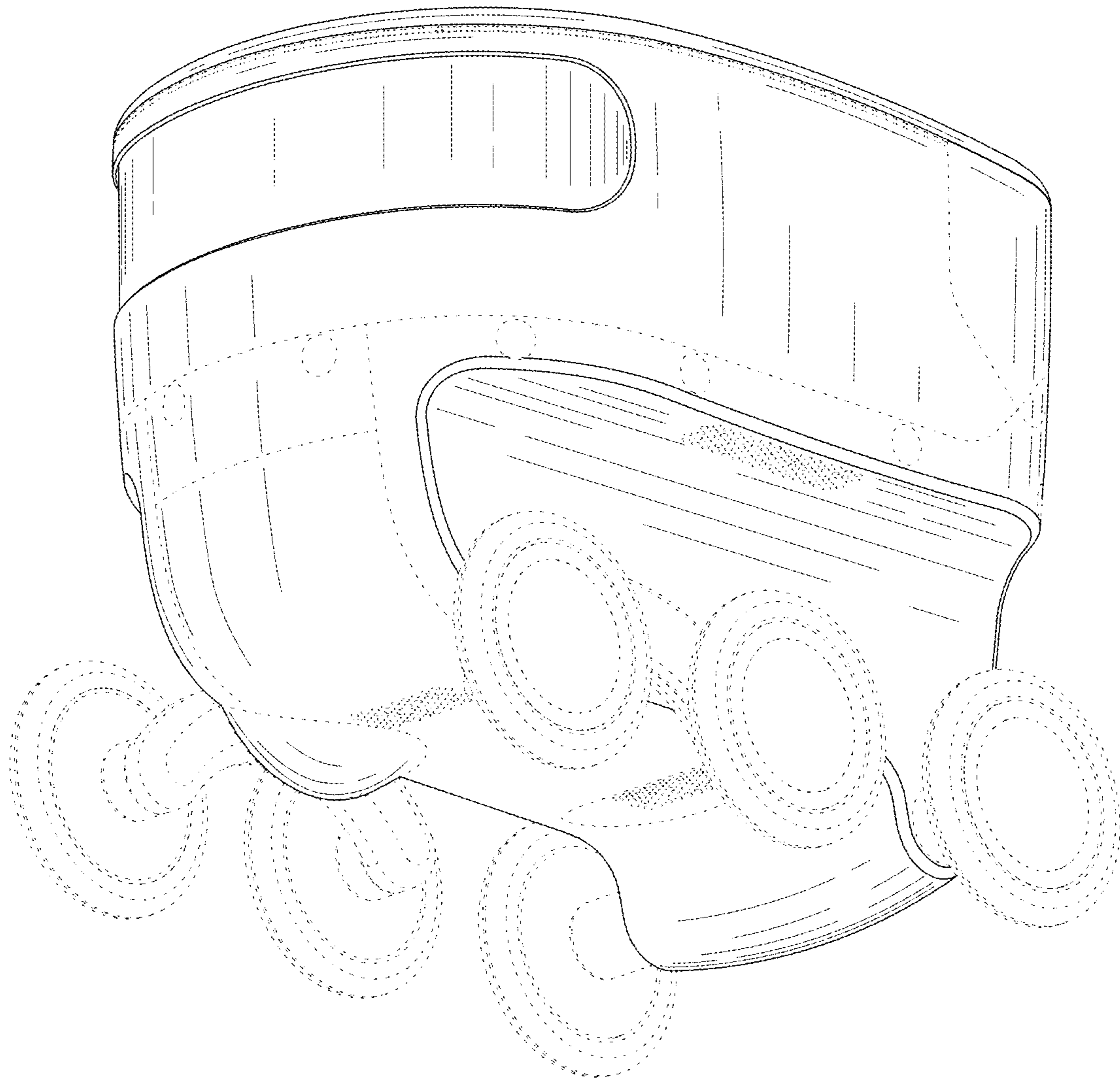


FIG. 3

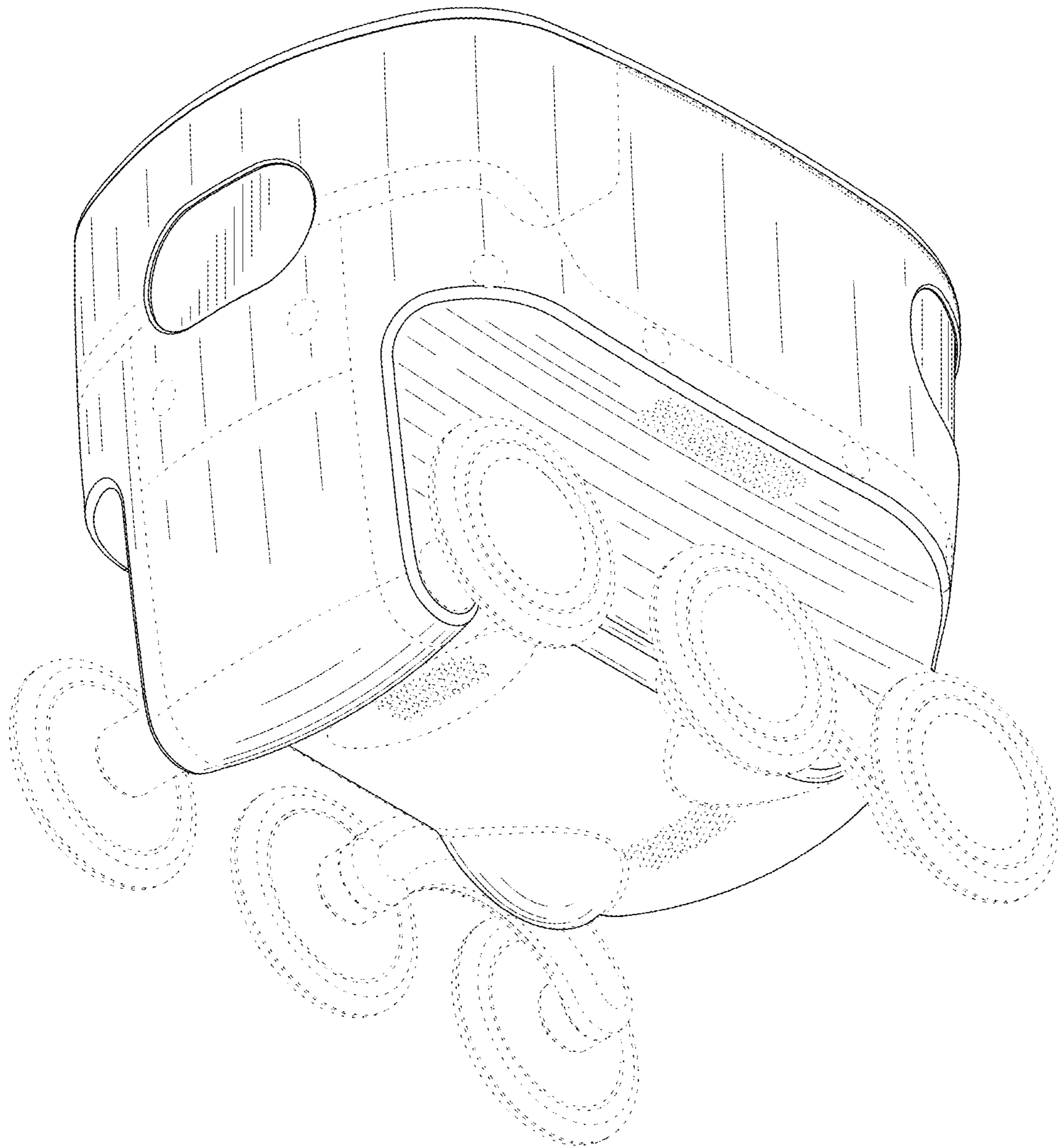


FIG. 4

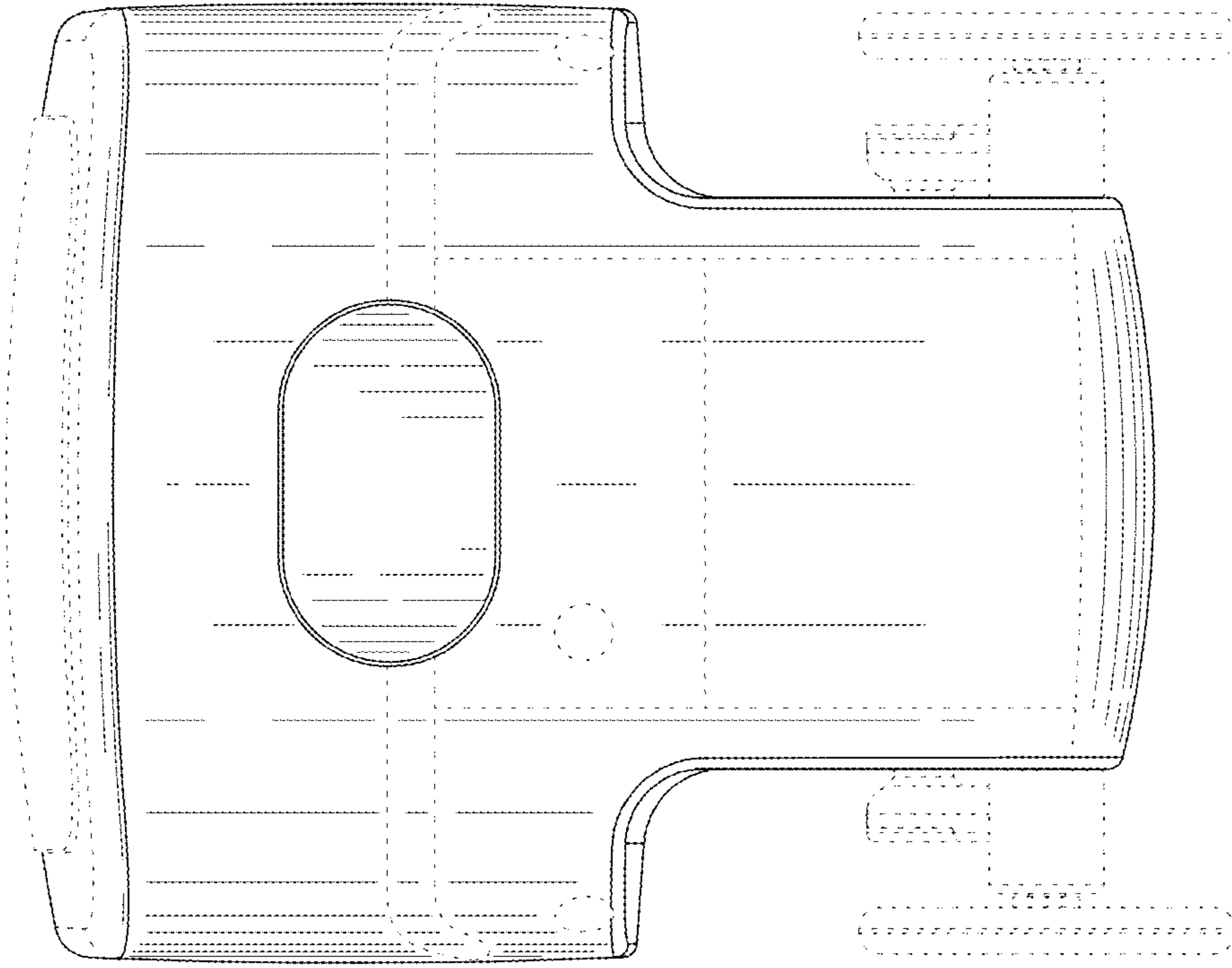


FIG. 6

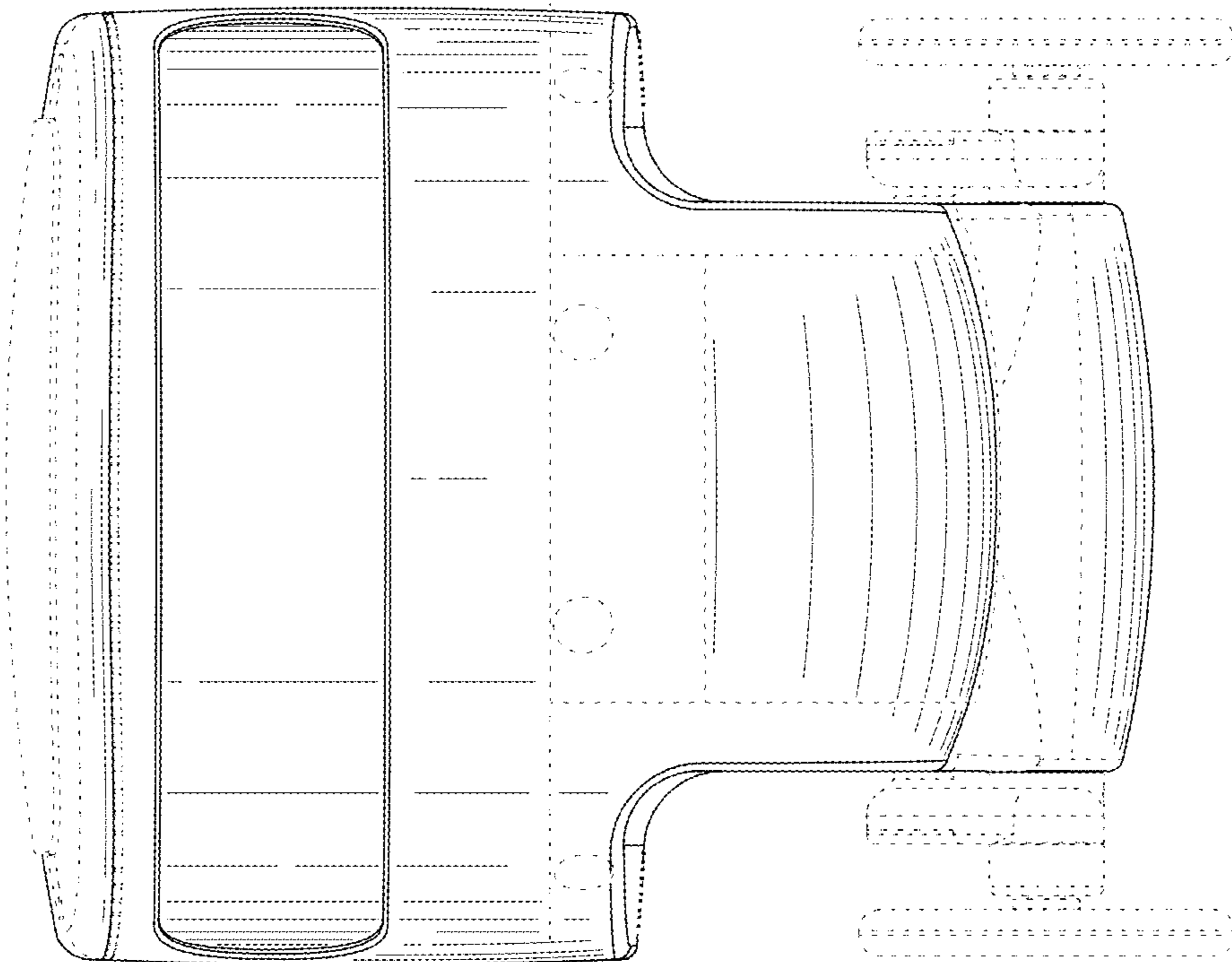


FIG. 5

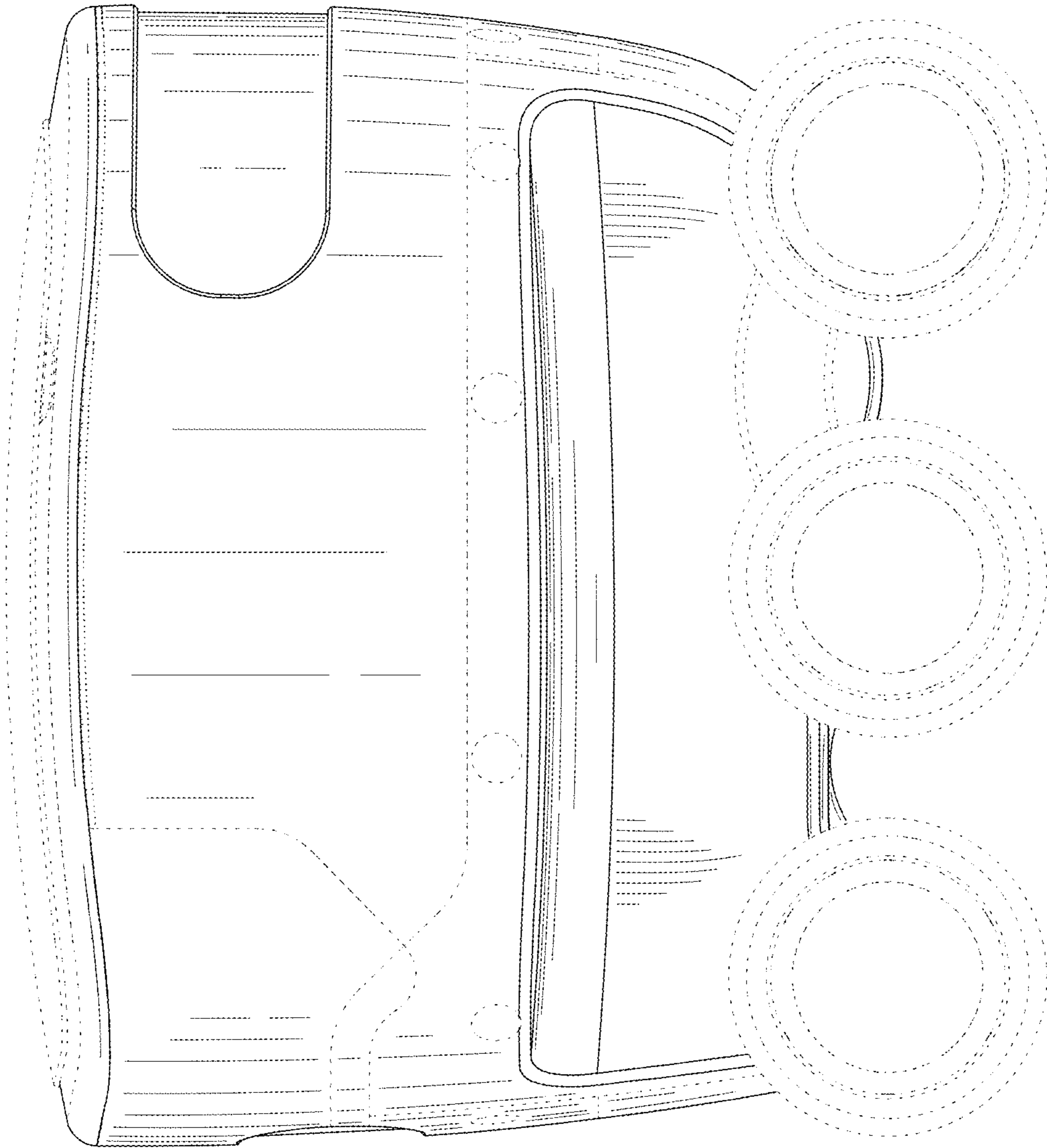


FIG. 7

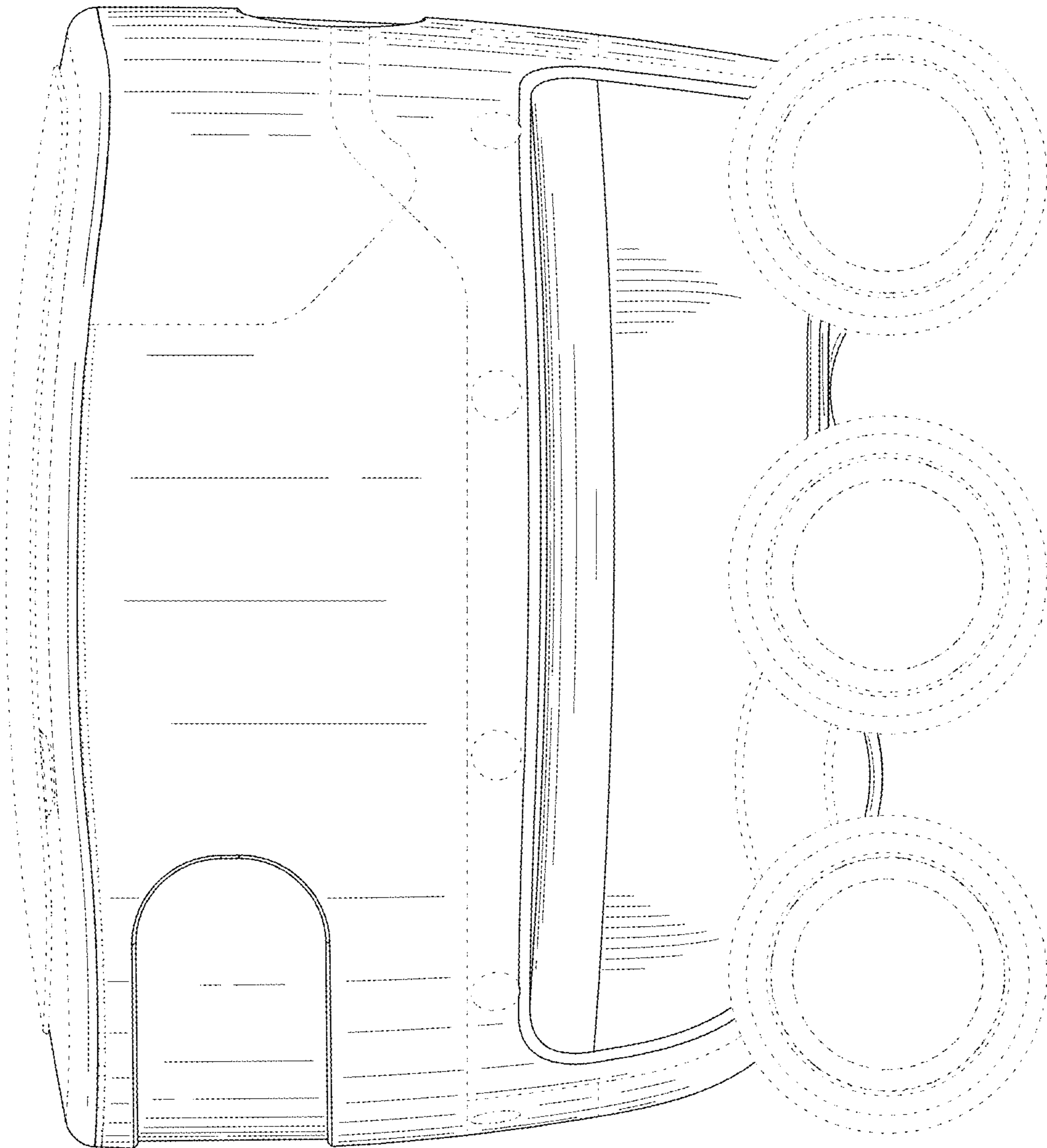


FIG. 8

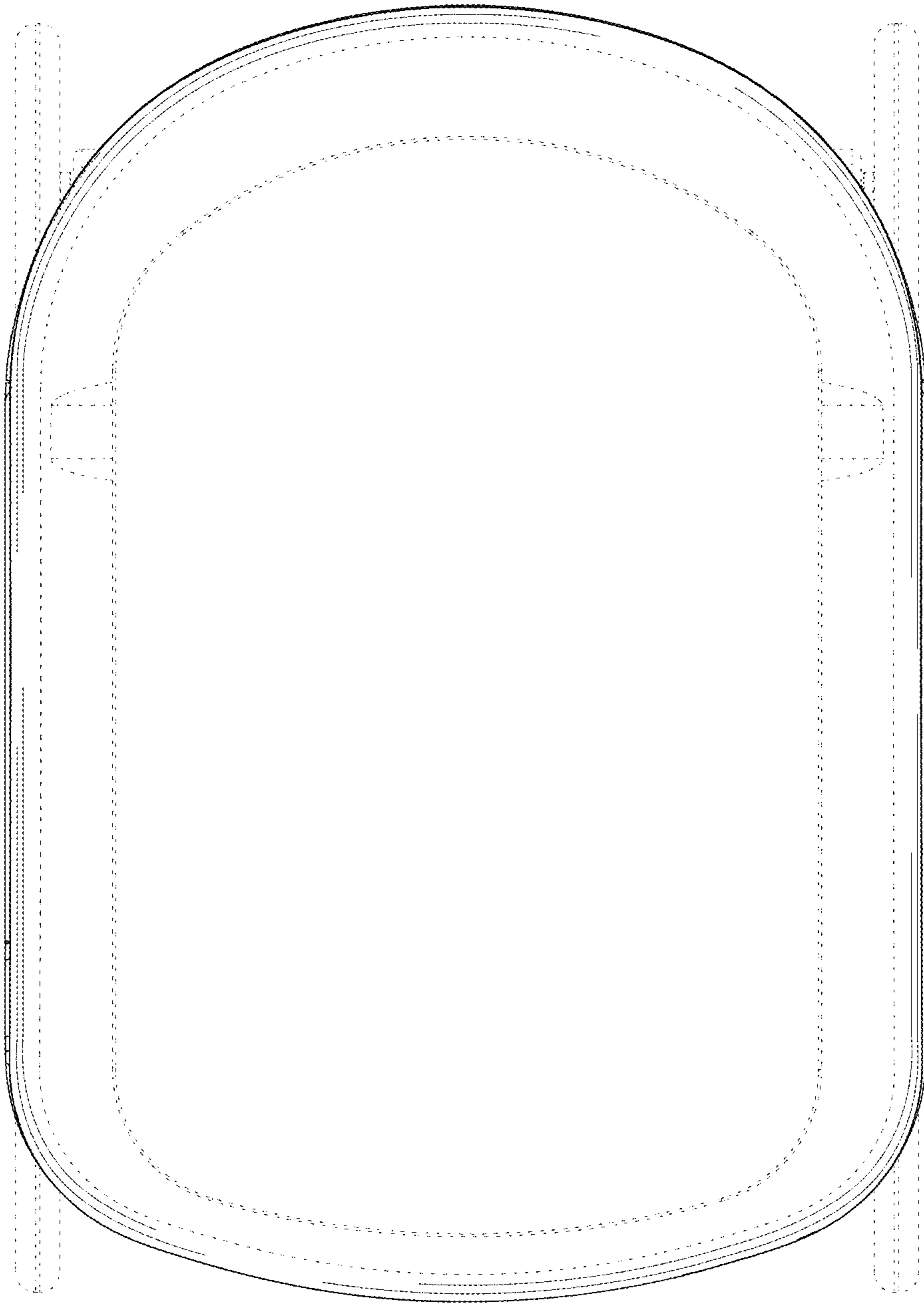


FIG. 9

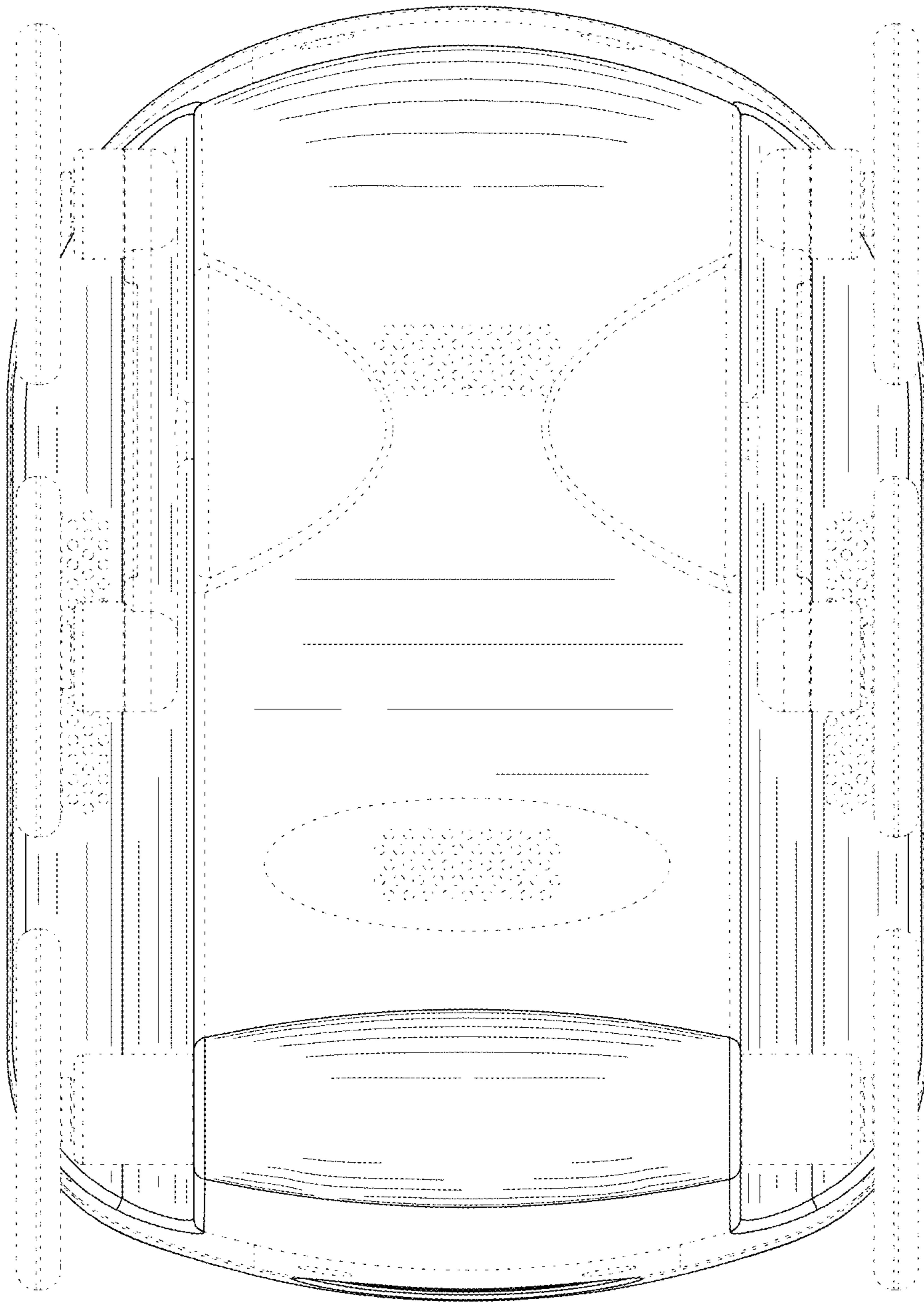


FIG. 10