



US00D917340S

(12) **United States Design Patent** (10) **Patent No.:** **US D917,340 S**
Welsh et al. (45) **Date of Patent:** **** Apr. 27, 2021**

(54) **AERIAL VEHICLE**
(71) Applicant: **Amazon Technologies, Inc.**, Seattle, WA (US)
(72) Inventors: **Ricky Dean Welsh**, Seattle, WA (US); **Louis Leroi LeGrand, III**, Seattle, WA (US); **Dominic Timothy Shiosaki**, Seattle, WA (US); **Gur Kimchi**, Seattle, WA (US); **Shmuel Eisenmann**, Seattle, WA (US); **Isaac Aaron Margulies**, Seattle, WA (US); **Chris Maynor**, Seattle, WA (US); **Jon T. Braam**, Seattle, WA (US)

D187,567 S * 3/1960 Steinhoff D12/16.1
D189,329 S * 11/1960 Angelis D12/332
3,017,139 A * 1/1962 Binder B64C 39/062
244/12.6
D196,157 S * 8/1963 Petry D12/330
D205,694 S * 9/1966 Petry D12/333
3,350,035 A 10/1967 Schlieben
D213,146 S * 1/1969 Barnett D12/333
D219,690 S * 1/1971 Matzenauer D12/320
D221,346 S * 8/1971 Pennington D21/451

(Continued)

FOREIGN PATENT DOCUMENTS

CN 103625640 A 3/2014
DE 102009033821 A1 1/2011

(Continued)

(73) Assignee: **Amazon Technologies, Inc.**, Seattle, WA (US)

(**) Term: **15 Years**

(21) Appl. No.: **29/650,291**

(22) Filed: **Jun. 5, 2018**

(51) **LOC (13) Cl.** **12-01**

(52) **U.S. Cl.**
USPC **D12/16.1**; D12/319

(58) **Field of Classification Search**
USPC D12/319-345, 16.1, 1-4, 415, 401;
D21/436-455, 769, 771; D15/199;
D32/21; D25/4; D6/514, 705.7, 706,
D6/675, 675.3, 677.3
CPC B64C 2201/146; B64C 2201/027; B64C
2201/104; B64C 25/06; B64C 25/24;
B64C 39/04; B64C 5/02; B64C 23/065
See application file for complete search history.

(56) **References Cited**

U.S. PATENT DOCUMENTS

D181,599 S * 12/1957 Nelson D12/330
D185,870 S * 8/1959 Apostolescu D21/452
D186,744 S * 11/1959 Rommel D12/323

OTHER PUBLICATIONS

Amazon wins FAA approval. by Annie Palmer. published Aug. 31, 2020. found online [Dec. 18, 2020] <https://www.cnbc.com/2020/08/31/amazon-prime-now-drone-delivery-fleet-gets-faa-approval.html>.*

(Continued)

Primary Examiner — Marissa J Cash

(74) *Attorney, Agent, or Firm* — Athorus, PLLC

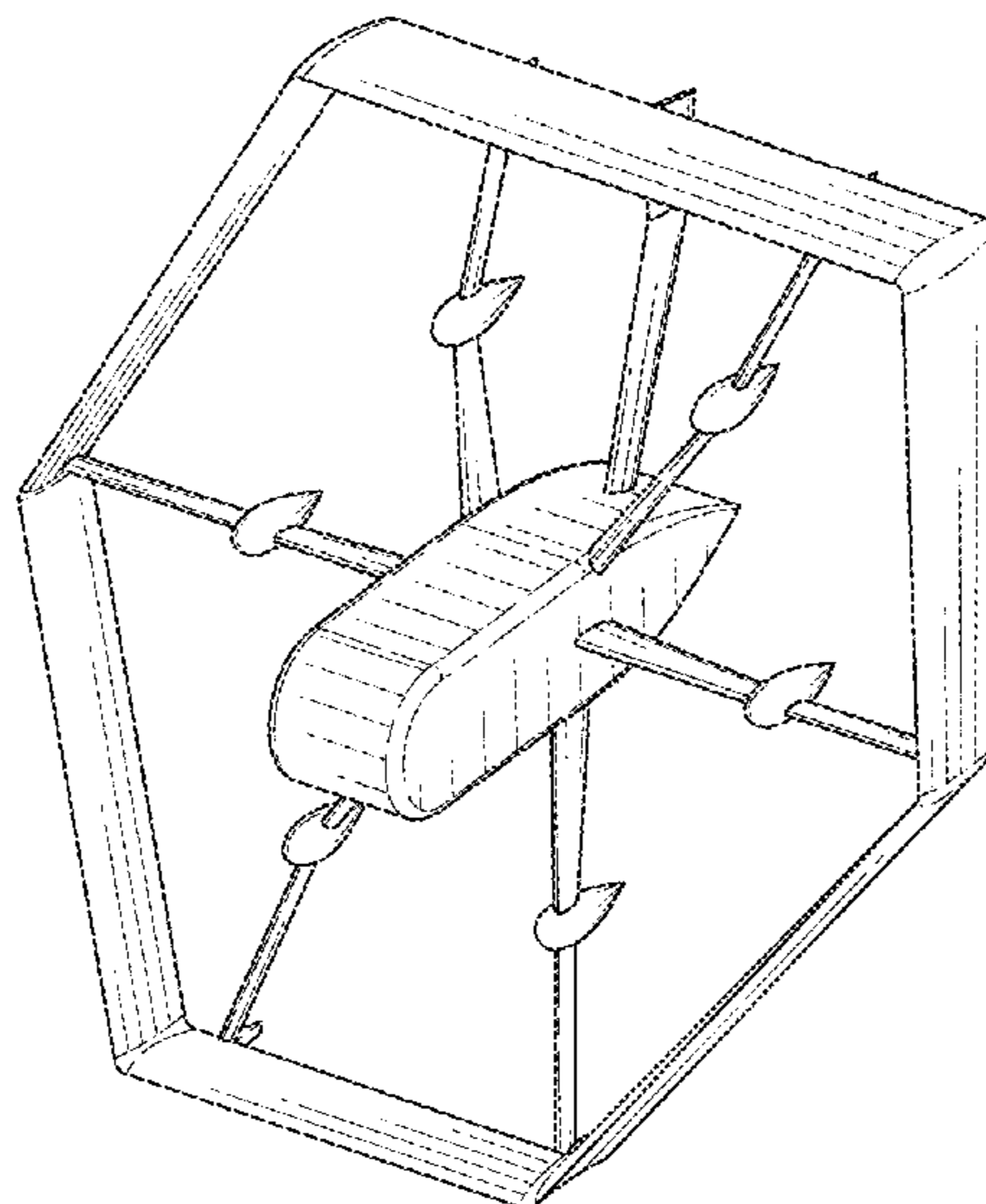
(57) **CLAIM**

The ornamental design for an aerial vehicle, as shown and described.

DESCRIPTION

FIG. 1 is a perspective view of an aerial vehicle.
FIG. 2 is a front view of an aerial vehicle of FIG. 1.
FIG. 3 is a rear view of an aerial vehicle of FIG. 1.
FIG. 4 is a right side view of an aerial vehicle of FIG. 1.
FIG. 5 is a left side view of an aerial vehicle of FIG. 1.
FIG. 6 is a bottom view of an aerial vehicle of FIG. 1; and,
FIG. 7 is a top view of an aerial vehicle of FIG. 1.

1 Claim, 5 Drawing Sheets



(56)

References Cited

U.S. PATENT DOCUMENTS

3,834,654 A * 9/1974 Miranda B64C 39/068
244/13
3,981,460 A * 9/1976 Ratony B64C 39/068
244/13
4,146,199 A * 3/1979 Wenzel B64C 39/068
244/36
D258,672 S * 3/1981 Butcher D21/452
D286,871 S * 11/1986 Bunyard D12/324
D290,101 S * 6/1987 Chung D11/163
4,856,736 A * 8/1989 Adkins B64C 39/068
244/45 R
D314,549 S * 2/1991 Myers D12/345
D320,378 S * 10/1991 Webster D12/319
D338,694 S * 8/1993 Krebs D21/452
6,098,923 A * 8/2000 Peters, Jr. B64C 3/16
244/13
D438,914 S * 3/2001 O'Rourke D21/452
6,474,604 B1 * 11/2002 Carlow B64C 39/062
244/198
D503,140 S * 3/2005 Blevio, Sr. D12/319
D509,261 S * 9/2005 Tebbe D21/452
D526,269 S * 8/2006 Eadie D12/327
D624,971 S * 10/2010 Cohen D21/452
8,128,019 B2 * 3/2012 Annati B64C 27/20
244/12.3
8,820,672 B2 * 9/2014 Erben B64C 39/024
244/1 R
D751,025 S * 3/2016 Howell D12/16.1
D776,571 S * 1/2017 Barrett B64C 25/06
D12/16.1
9,567,075 B2 * 2/2017 Tighe B64C 29/02
D795,784 S * 8/2017 Guo D12/328
D813,143 S * 3/2018 Belik D12/326
D817,812 S * 5/2018 Whitten, Jr. D12/16.1
D843,920 S * 3/2019 Hernadi D12/345
D844,538 S * 4/2019 Hernadi D12/345
D856,897 S * 8/2019 Theys D12/326
D862,360 S * 10/2019 Liang D12/328
D862,361 S * 10/2019 Corning D12/330
10,518,880 B2 * 12/2019 Kimchi B64C 11/46
2002/0106961 A1 * 8/2002 Barthold A63H 27/02
446/36
2006/0226281 A1 * 10/2006 Walton B64C 29/0033
244/17.23

2007/0023581 A1 2/2007 La
2007/0215748 A1 * 9/2007 Robbins B64C 29/0066
244/12.5
2010/0200703 A1 * 8/2010 Cazals B64C 39/068
244/45 R
2010/0224721 A1 * 9/2010 Wood B64C 39/068
244/12.3
2010/0252690 A1 * 10/2010 Hothi B64C 39/024
244/7 B
2011/0042509 A1 2/2011 Bevirt et al.
2012/0286102 A1 * 11/2012 Sinha B64C 29/0025
244/7 B
2015/0053824 A1 * 2/2015 De Smet B64C 11/002
244/175
2017/0190443 A1 * 7/2017 Fisher B64C 29/02

FOREIGN PATENT DOCUMENTS

EP 1775214 A1 4/2007
GB 2462452 B 2/2011
WO 2001030652 A1 5/2001
WO 2010015866 A2 2/2010
WO 2015150529 A1 10/2015

OTHER PUBLICATIONS

Amazon Prime. by Zacc Dukowitz. dated Jun. 6, 2019. found online [Dec. 18, 2020] <https://uavcoach.com/prime-air-drone/>.
Andrew Rosenblum et al, "The Jets of the Future," May 1, 2012, Retrieved from the Internet on Mar. 27, 2018: URL: <https://www.popsci.com/technology/article/2012-04/jets-future>, pp. 1-9.
Dirtflare, "Ring Wing VTOL!!!," Specifications Ring Wing VTOL!!!, Aug. 1, 2016, Retrieved from the Internet on Mar. 22, 2018: URL: <https://www.simpleplanes.com/a/Mo2vSy/Ring-Wing-VTOL>, pp. 1-2.
Dukowitz, Zacc, "Amazon Prime Air Unveils New Delivery Drone, Plans to Start Deliveries Soon," UAV Coach, dated Jun. 6, 2019, found online [Dec. 18, 2020] <https://uavcoach.com/prime-air-drone/>, 13 pages.
Palmer, Annie, "Amazon wins FAA approval for Prime Air drone delivery fleet," CNBC, published Aug. 31, 2020, found online [Dec. 23, 2020] <https://www.cnbc.com/2020/08/31/amazon-prime-now-drone-delivery-fleet-gets-faa-approval.html>, 5 pages.

* cited by examiner

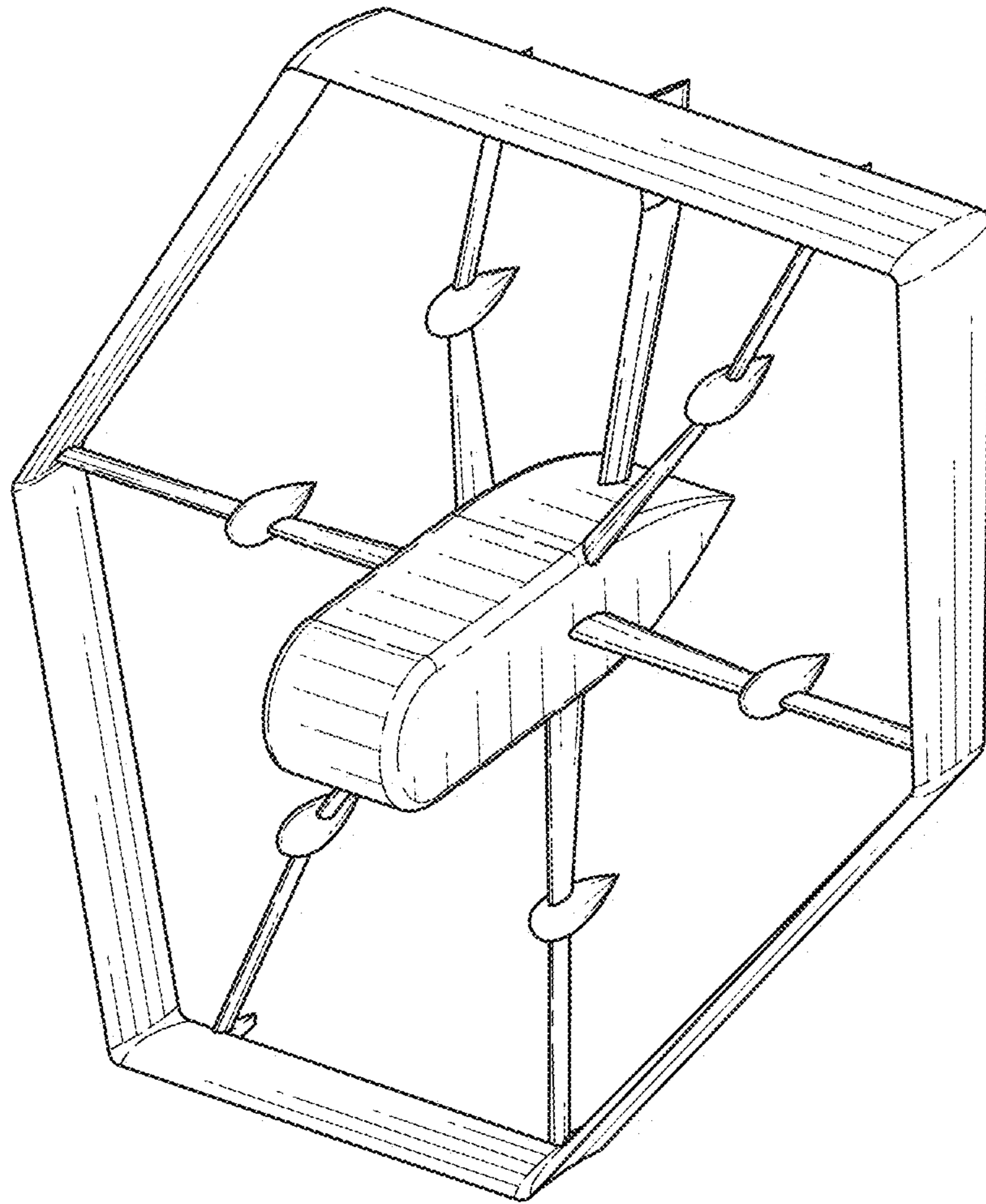


FIG. 1

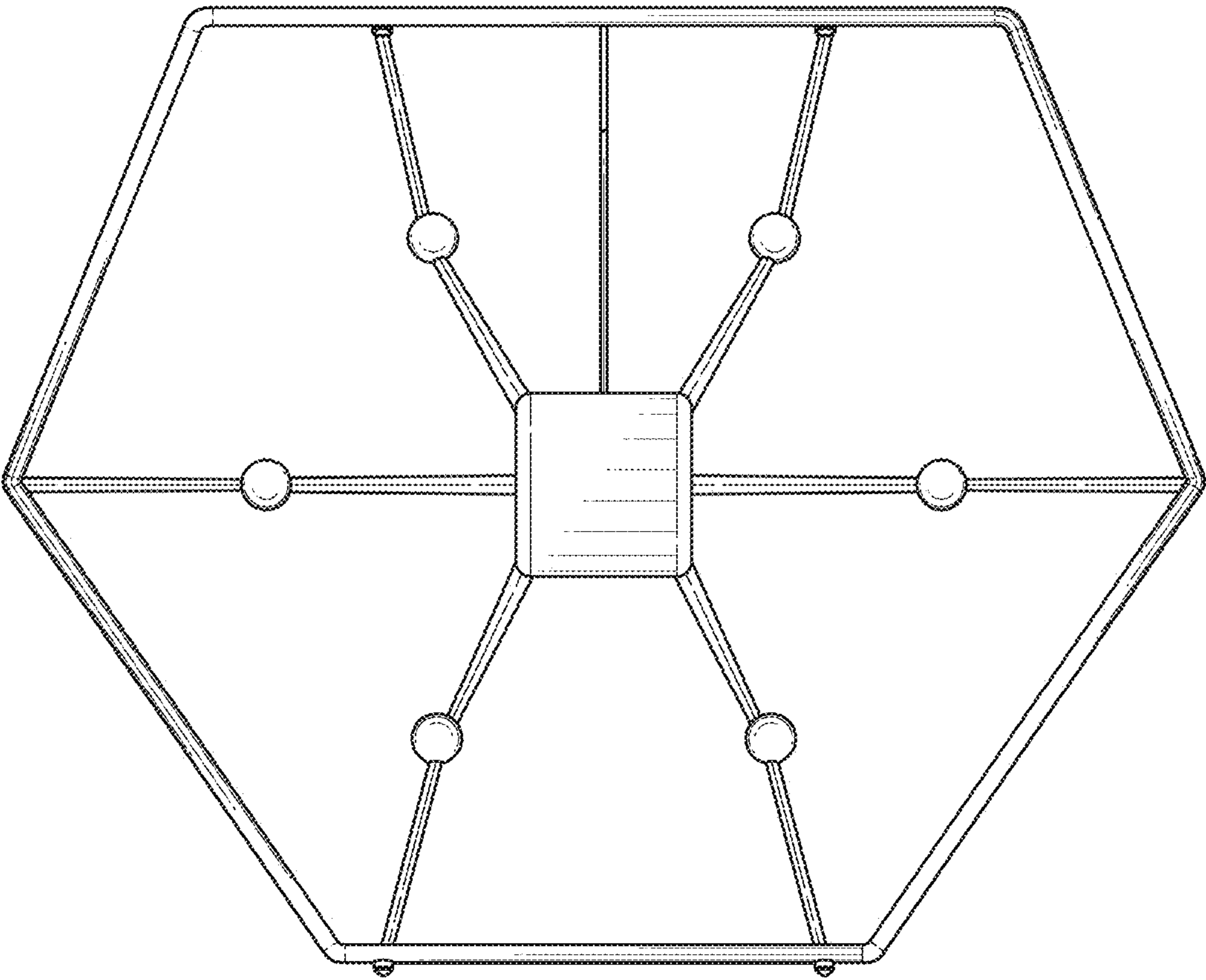


FIG. 2

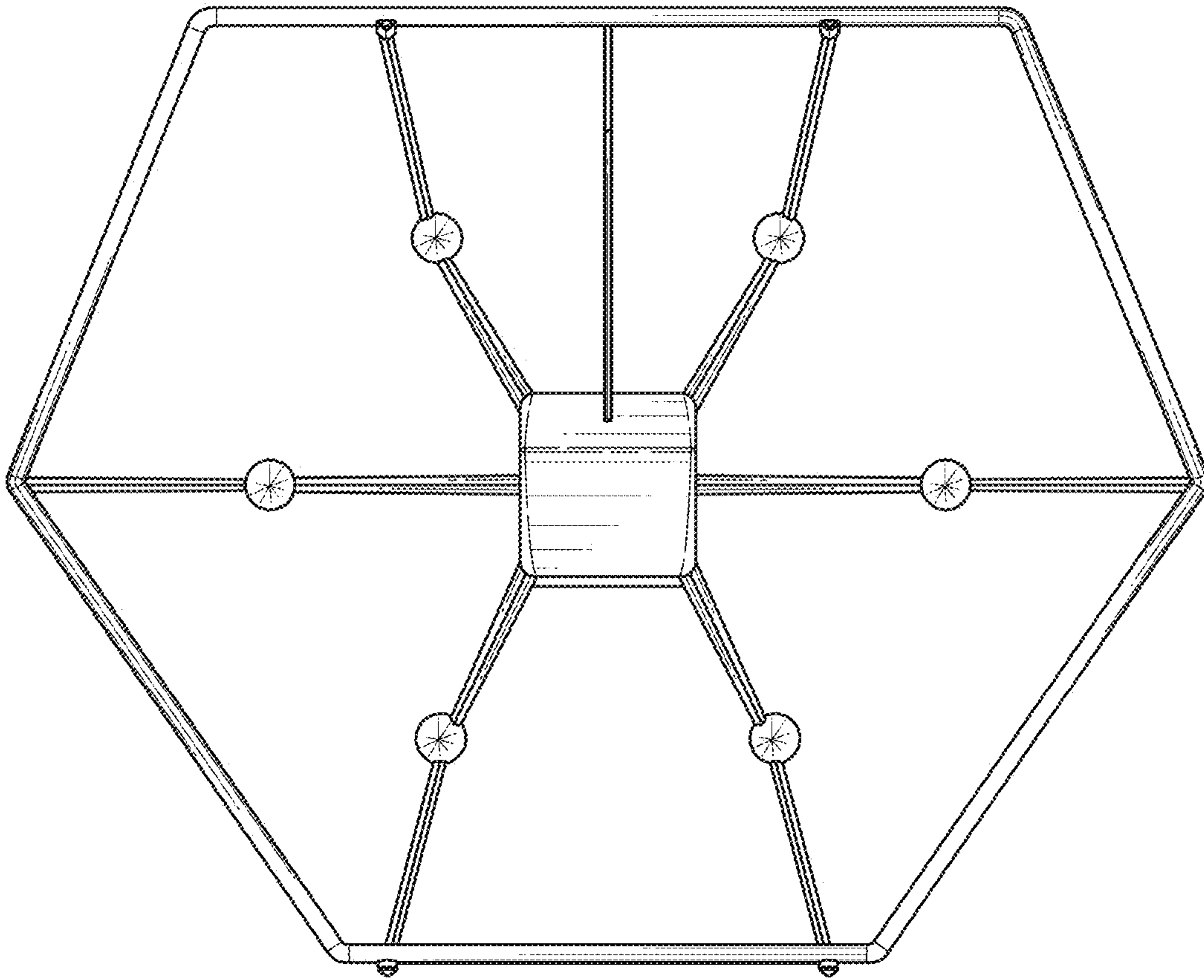


FIG. 3

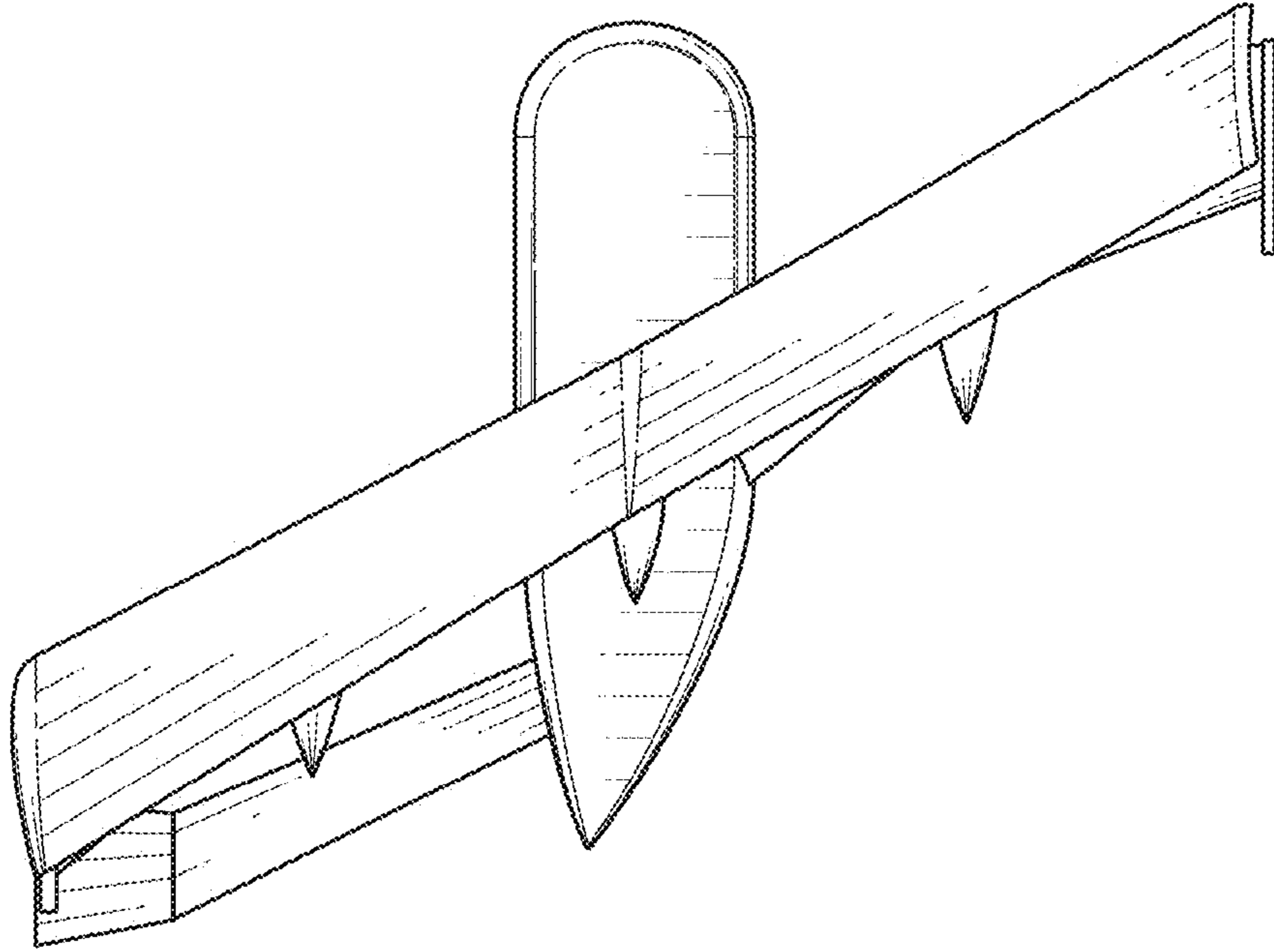


FIG. 5

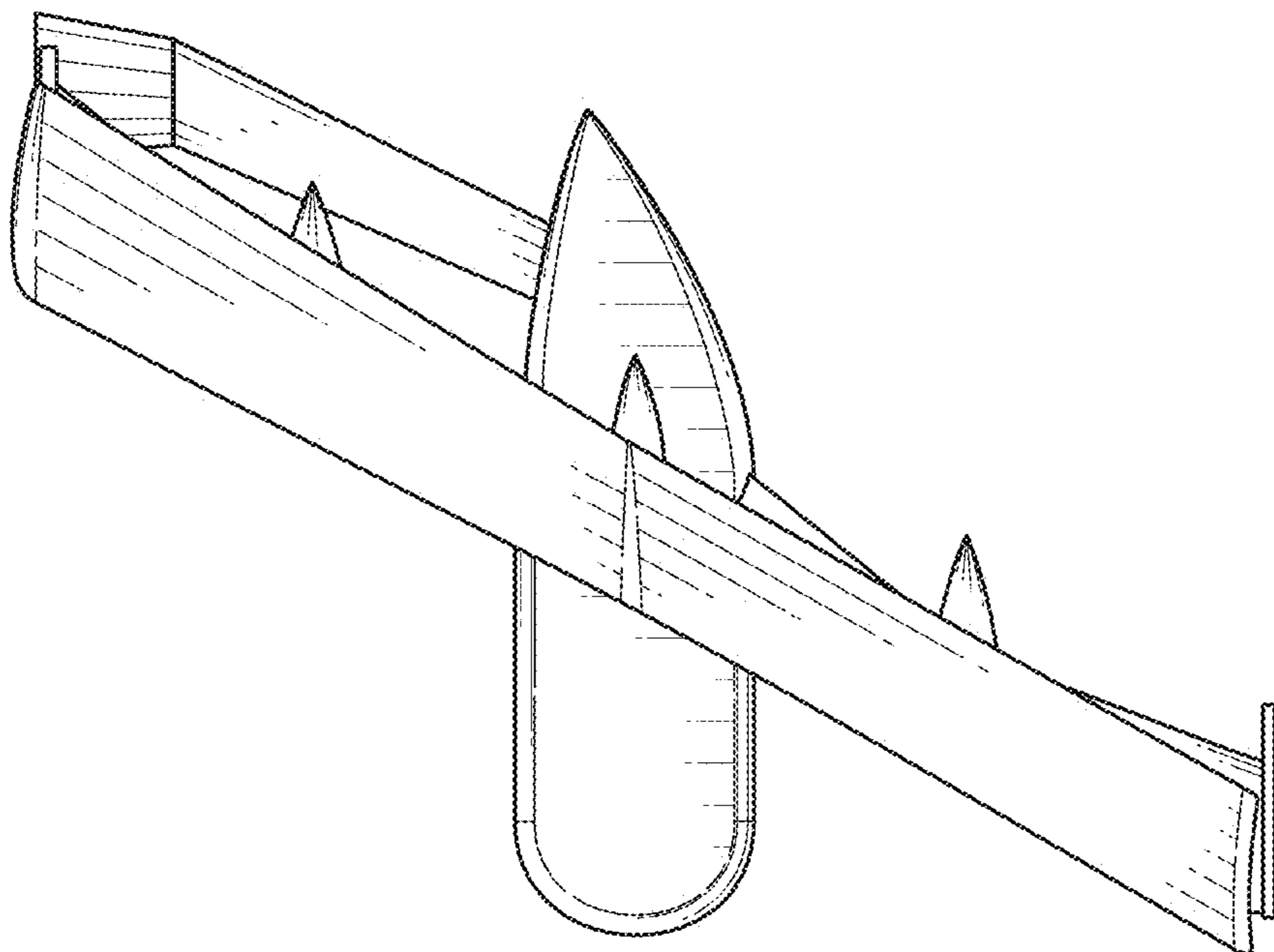


FIG. 4

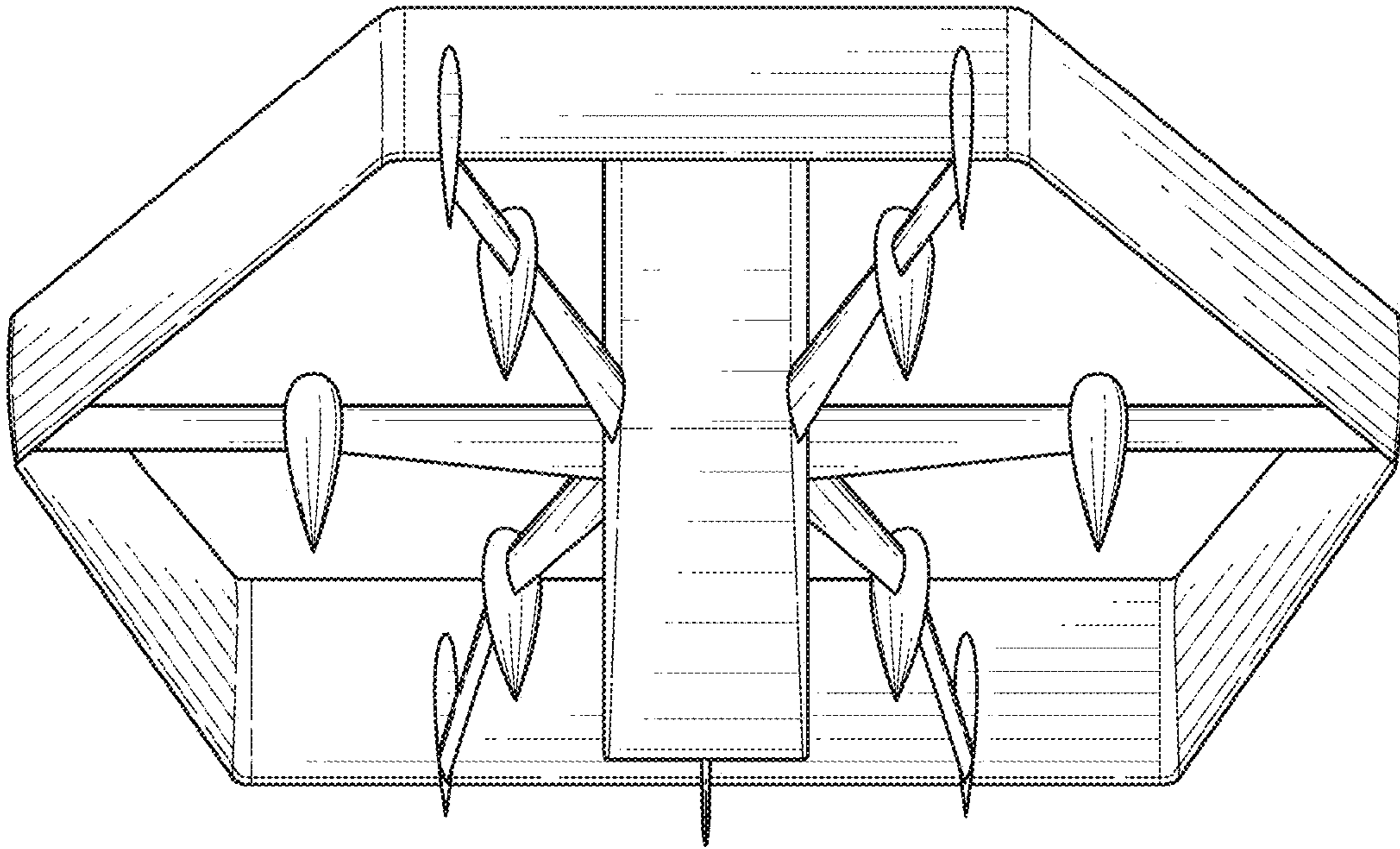


FIG. 6

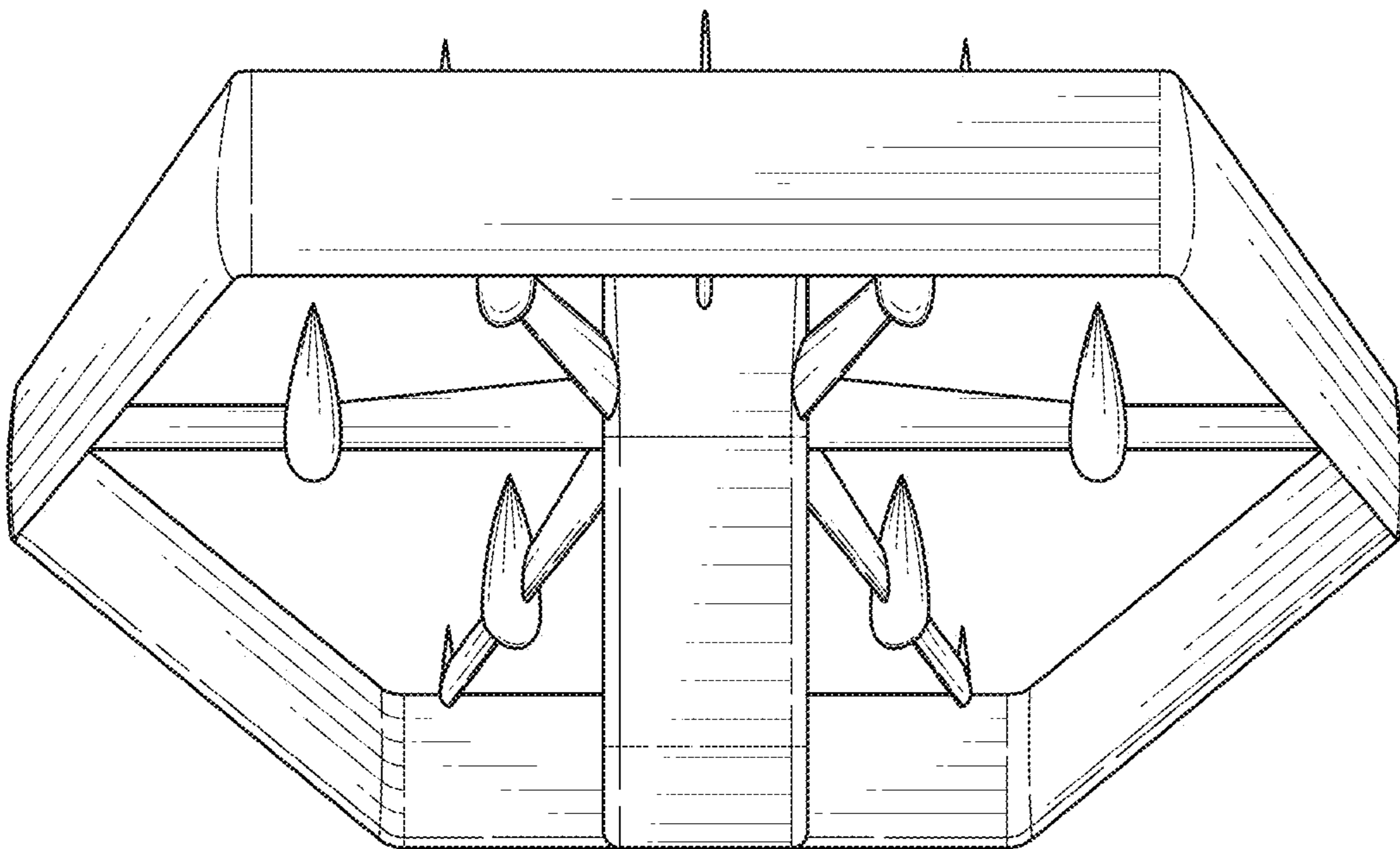


FIG. 7