



US00D917335S

(12) **United States Design Patent**
Kramer

(10) **Patent No.:** **US D917,335 S**

(45) **Date of Patent:** **** Apr. 27, 2021**

(54) **BRACELET CONNECTOR**

(71) Applicant: **Douglas W. Kramer**, Summit, NJ (US)

(72) Inventor: **Douglas W. Kramer**, Summit, NJ (US)

(**) Term: **15 Years**

(21) Appl. No.: **29/725,825**

(22) Filed: **Feb. 27, 2020**

(51) **LOC (13) Cl.** **11-01**

(52) **U.S. Cl.**
USPC **D11/87**

(58) **Field of Classification Search**
USPC D11/1-29, 86-88
CPC .. A44C 5/00; A44C 5/002; A44C 5/14; A44C
5/18; A44C 5/185; A44C 5/20; A44C
5/201; A44C 5/209; A44C 5/2028; A44B
99/00

See application file for complete search history.

(56) **References Cited**

U.S. PATENT DOCUMENTS

D372,680 S *	8/1996	Salva	D11/4
5,605,262 A *	2/1997	Bond	G04B 37/1486 224/164
D472,177 S *	3/2003	McCullough-McPherson	D11/4
D474,423 S *	5/2003	James	D11/231
7,210,313 B1 *	5/2007	Kay	A44C 5/12 63/11
D591,634 S *	5/2009	Gorman	D11/4

D616,325 S *	5/2010	Shaforost	D11/4
D690,223 S	9/2013	Hardy		
D701,645 S *	3/2014	Noel	D28/41
D704,087 S *	5/2014	DiPietro	D11/5
D707,582 S *	6/2014	DiPietro	D11/5
D727,771 S *	4/2015	Lerman	D11/3
D759,528 S	6/2016	Stepper et al.		
9,560,899 B2	2/2017	Stepper et al.		
D818,865 S	5/2018	Stepper et al.		

* cited by examiner

Primary Examiner — Zenia I Bennett

(74) *Attorney, Agent, or Firm* — Dunlap Bennett & Ludwig, PLLC

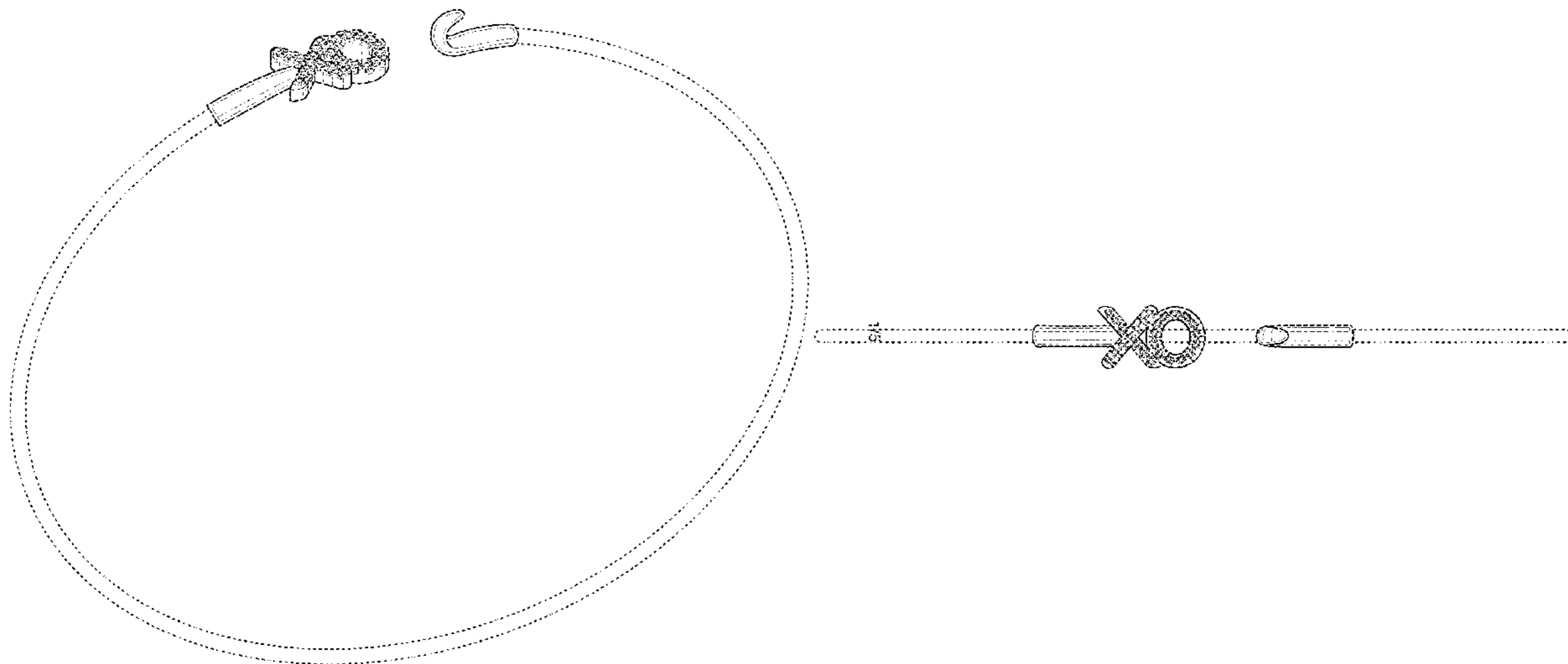
(57) **CLAIM**

The ornamental design for a bracelet connector, as shown and described.

DESCRIPTION

FIG. 1 is a perspective view of a bracelet connector;
FIG. 2 is a top plan view thereof;
FIG. 3 is a bottom plan view thereof;
FIG. 4 is a front elevation view thereof;
FIG. 5 is a rear elevation view thereof;
FIG. 6 is a left side elevation view thereof; and,
FIG. 7 is a right side elevation view thereof.
The broken lines shown in the drawings depict a bracelet that forms no part of the claimed invention.

1 Claim, 5 Drawing Sheets



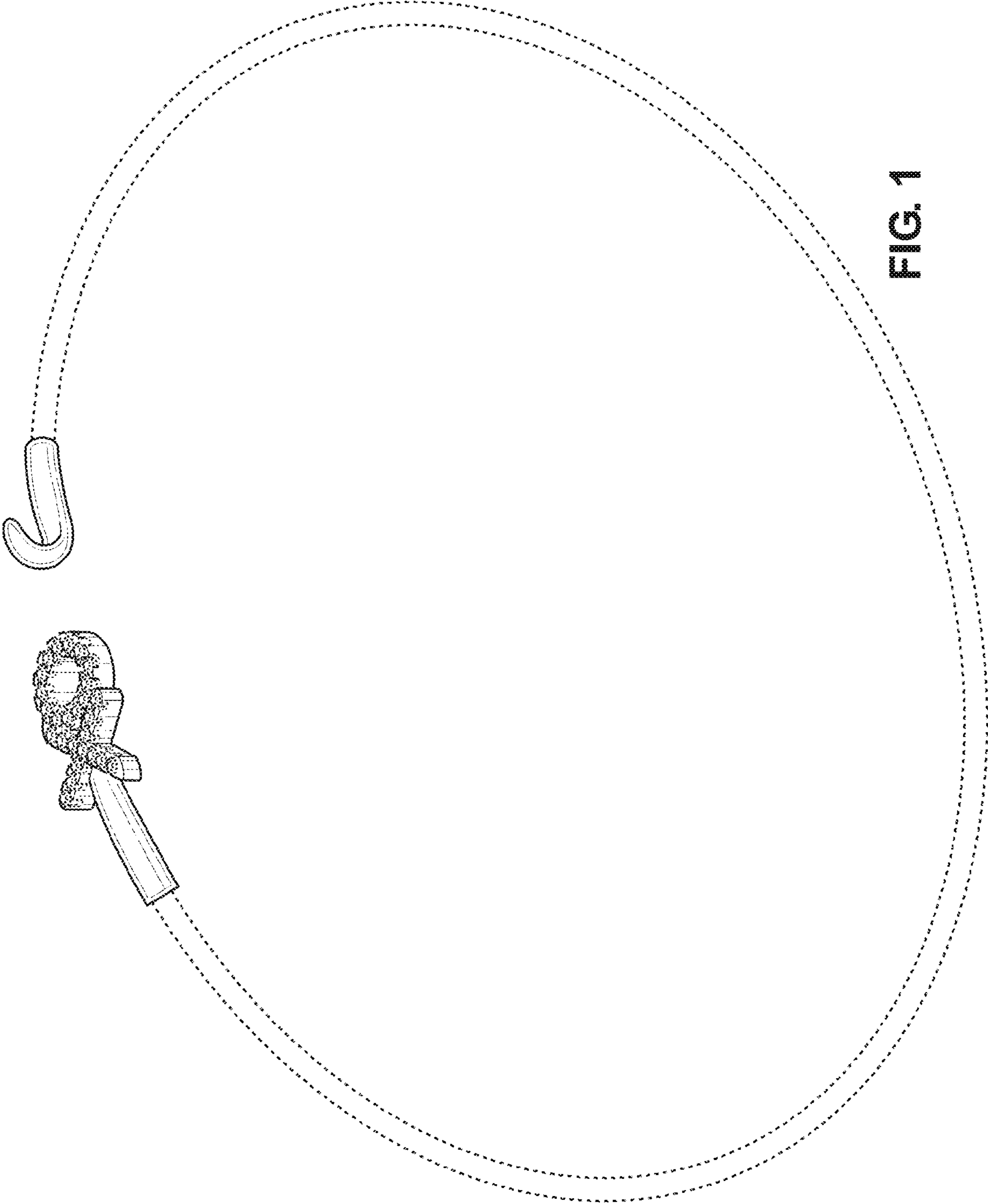


FIG. 1

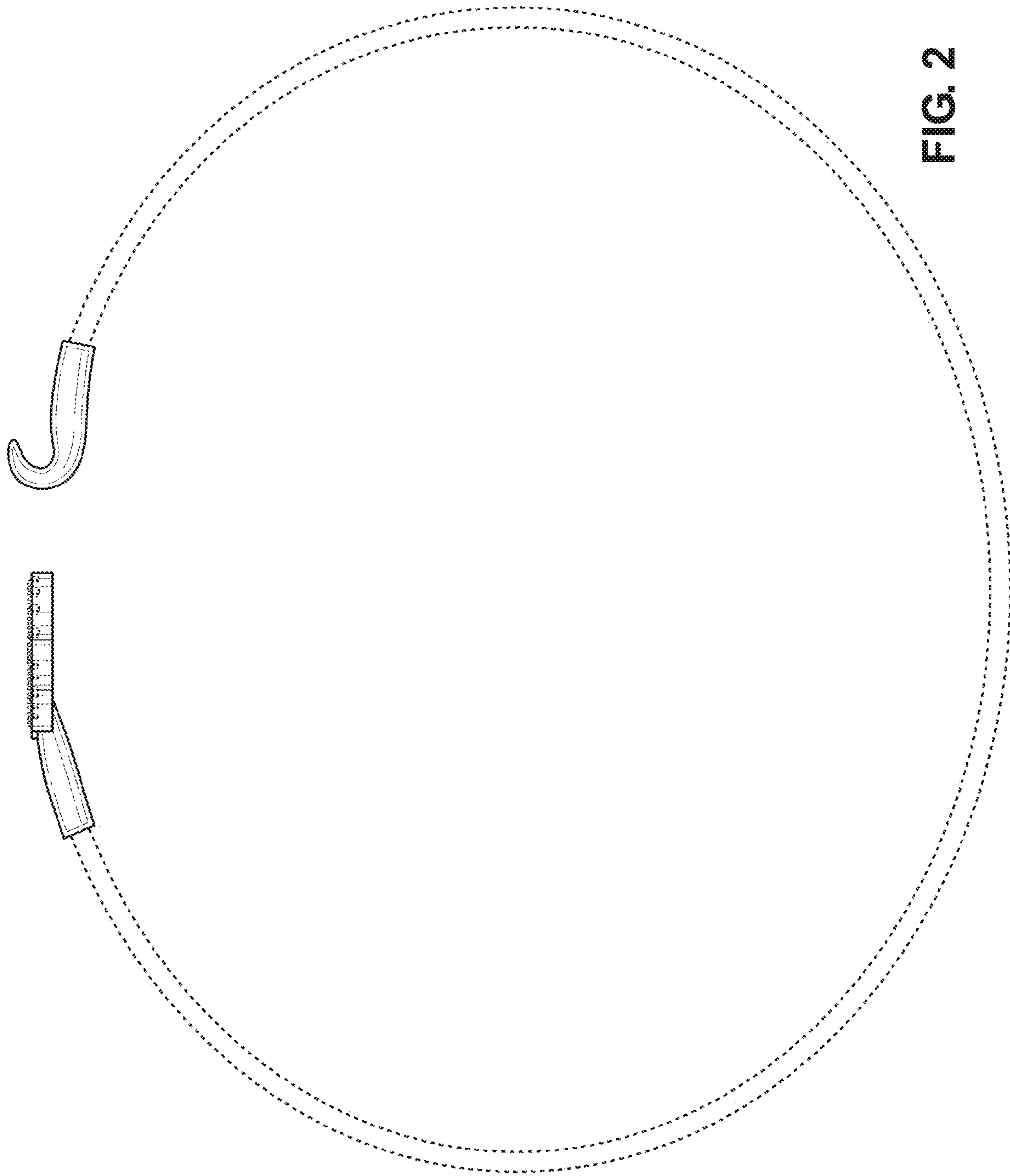


FIG. 2

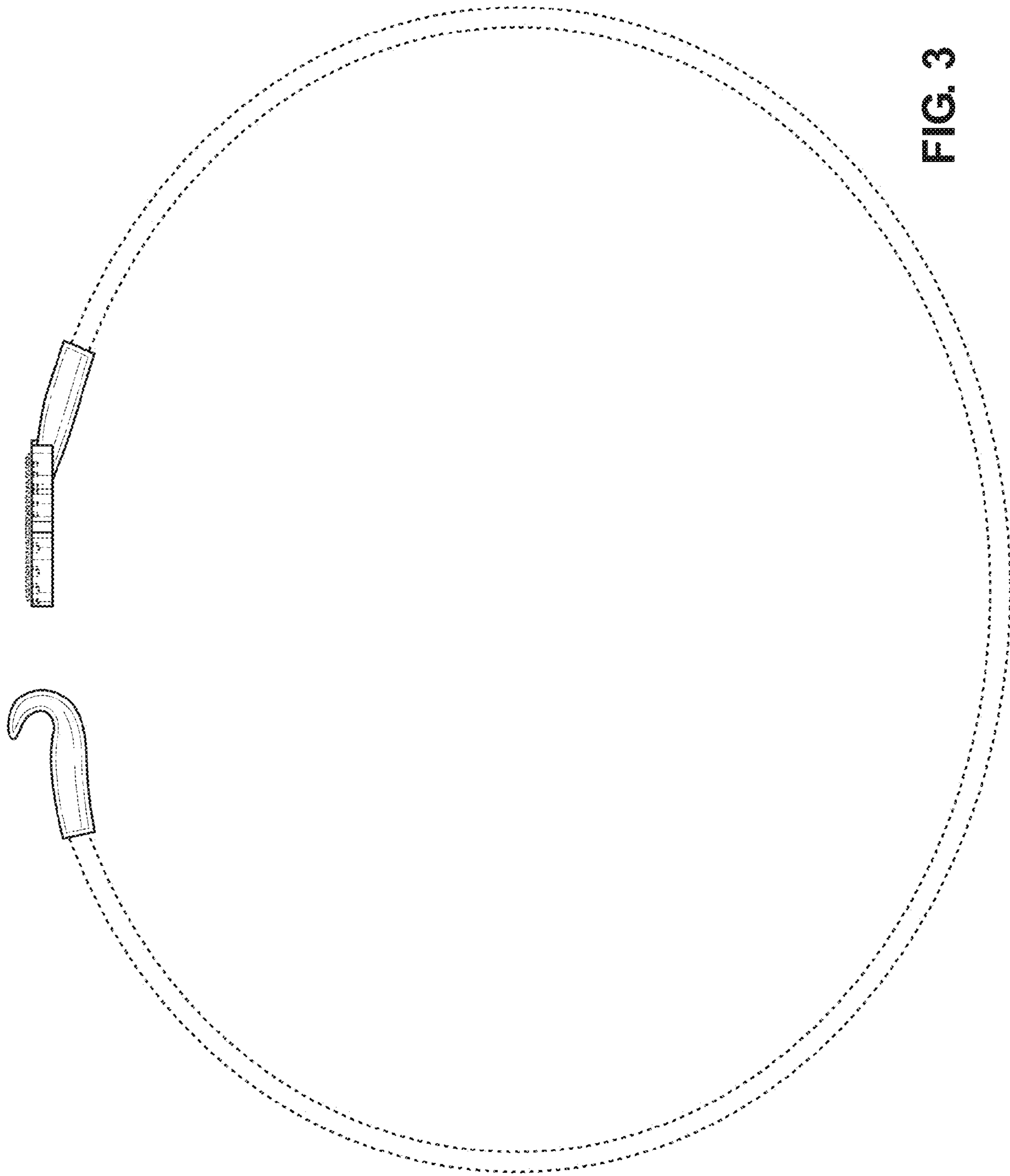


FIG. 3

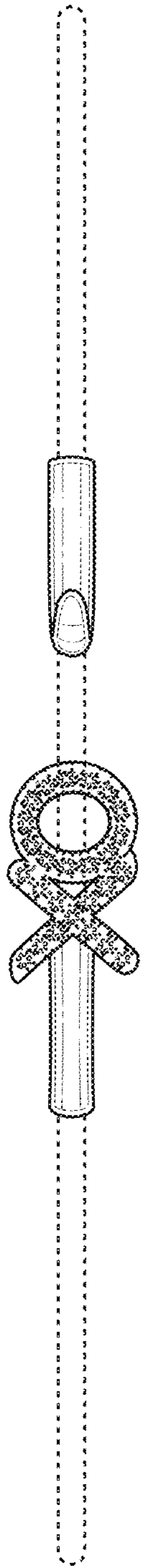


FIG. 4

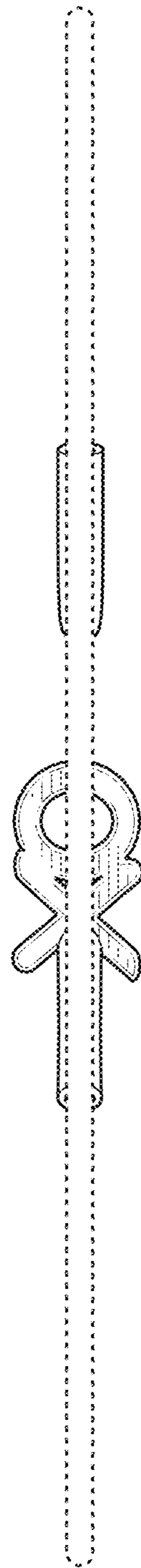


FIG. 5

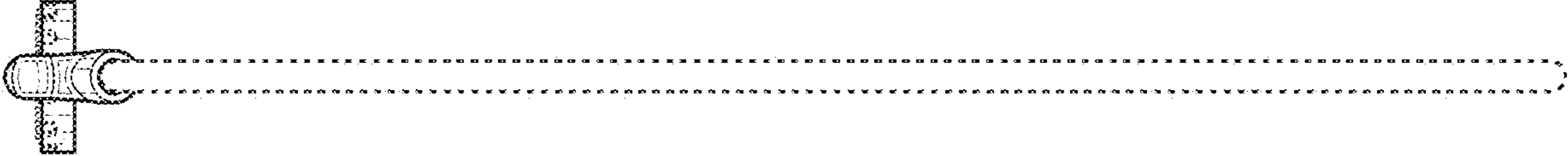


FIG. 7

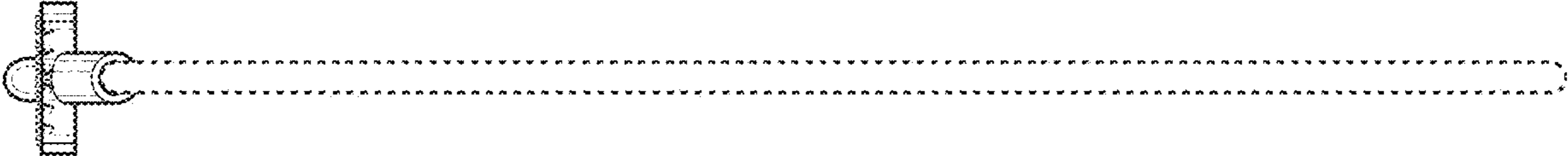


FIG. 6