

US00D917334S

(12) **United States Design Patent**
Daga

(10) **Patent No.:** **US D917,334 S**

(45) **Date of Patent:** **** Apr. 27, 2021**

(54) **CLASP FOR JEWELRY AND CHARM**

5,433,088 A * 7/1995 Mahar A44C 7/00
24/27

(71) Applicant: **SHRI SHUBHAM LTD**, Hong Kong
(HK)

D394,412 S * 5/1998 Hanson D11/40
5,766,005 A * 6/1998 Casey A61B 17/685
433/15

(72) Inventor: **Abhinav Daga**, Mumbai (IN)

5,946,943 A * 9/1999 Hanson A44C 17/0216
63/12

(73) Assignee: **SHRI SHUBHAM LTD**, Hong Kong
(HK)

7,181,939 B2 * 2/2007 Andersen A45C 11/32
70/395

(**) Term: **15 Years**

D561,636 S * 2/2008 Khubani D11/87
7,690,088 B2 * 4/2010 Kogen A44C 5/2076
24/303

(21) Appl. No.: **29/704,374**

* cited by examiner

(22) Filed: **Sep. 4, 2019**

Primary Examiner — Zenia I Bennett

(30) **Foreign Application Priority Data**

(74) *Attorney, Agent, or Firm* — Maschoff Brennan

Mar. 5, 2019 (GB) 6056001
Mar. 5, 2019 (GB) 6056002

(51) **LOC (13) Cl.** **11-01**

(52) **U.S. Cl.**
USPC **D11/87**

(58) **Field of Classification Search**

USPC D11/1-29, 86-88
CPC A44C 5/00; A44C 5/002; A44C 5/2085;
A44C 5/2042; A44C 5/2071; A44C
11/32; A44B 99/00
See application file for complete search history.

(56) **References Cited**

U.S. PATENT DOCUMENTS

2,580,769 A * 1/1952 Harman A44C 5/2052
24/613
5,197,168 A * 3/1993 Levy A44C 5/2076
24/303

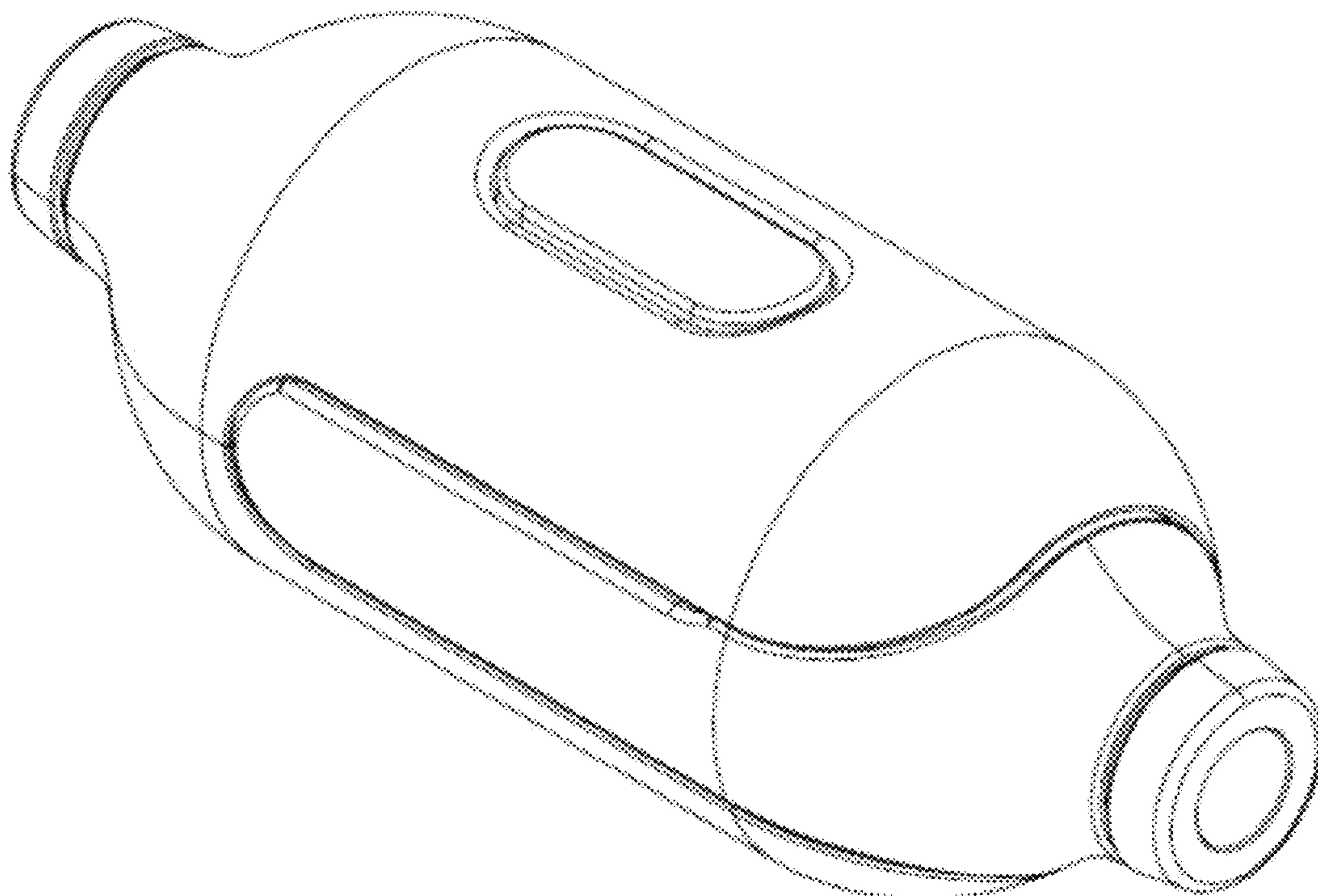
(57) **CLAIM**

I claim the ornamental design for a clasp for jewelry and charm, as shown and described.

DESCRIPTION

FIG. 1 is a perspective view of a first embodiment of my design;
FIG. 2 is a top view thereof;
FIG. 3 is a front view thereof;
FIG. 4 is a left-side view thereof;
FIG. 5 is a right-side view thereof;
FIG. 6 is a rear view thereof; and,
FIG. 7 is an exploded perspective view thereof.

1 Claim, 5 Drawing Sheets



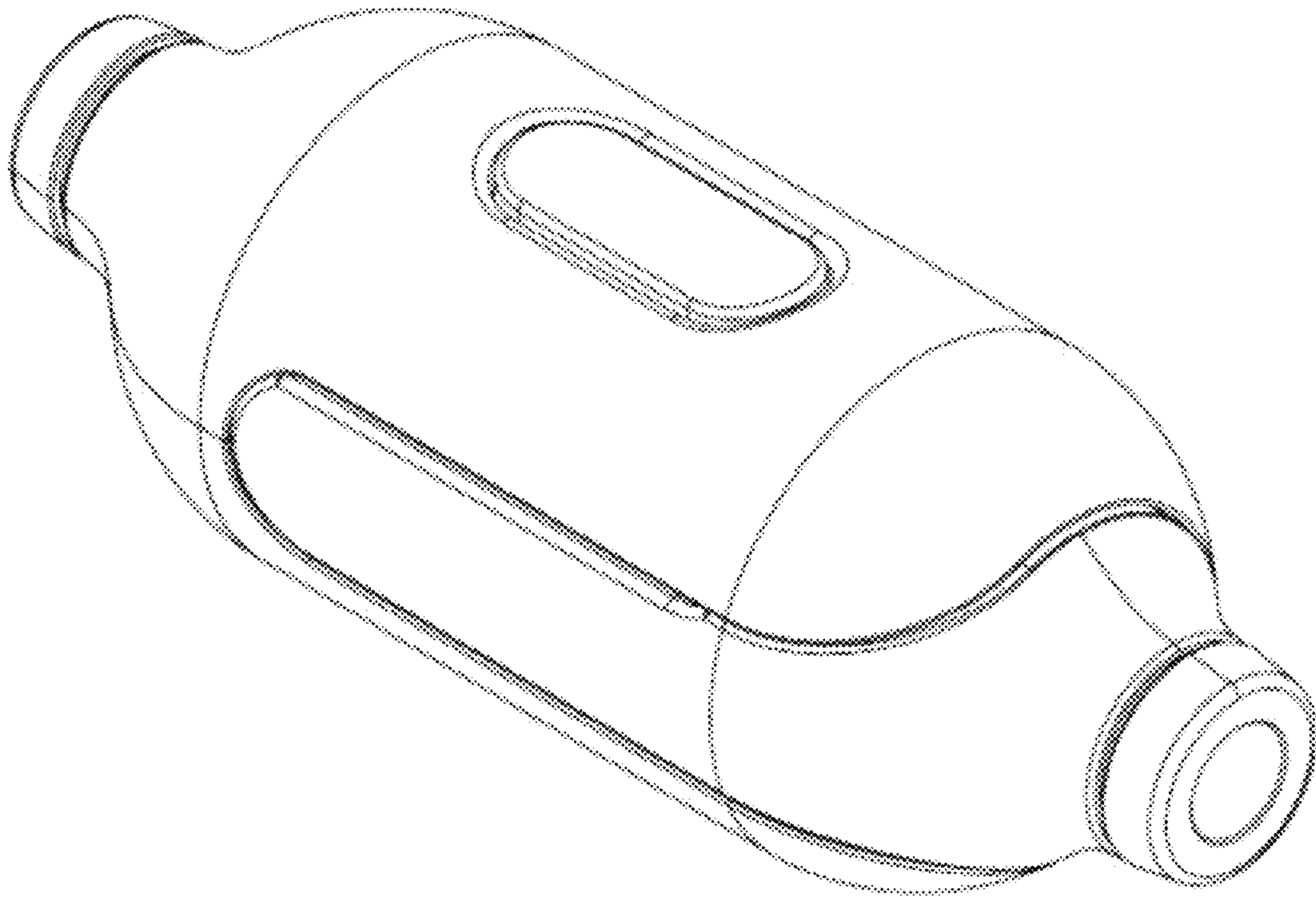


FIG. 1

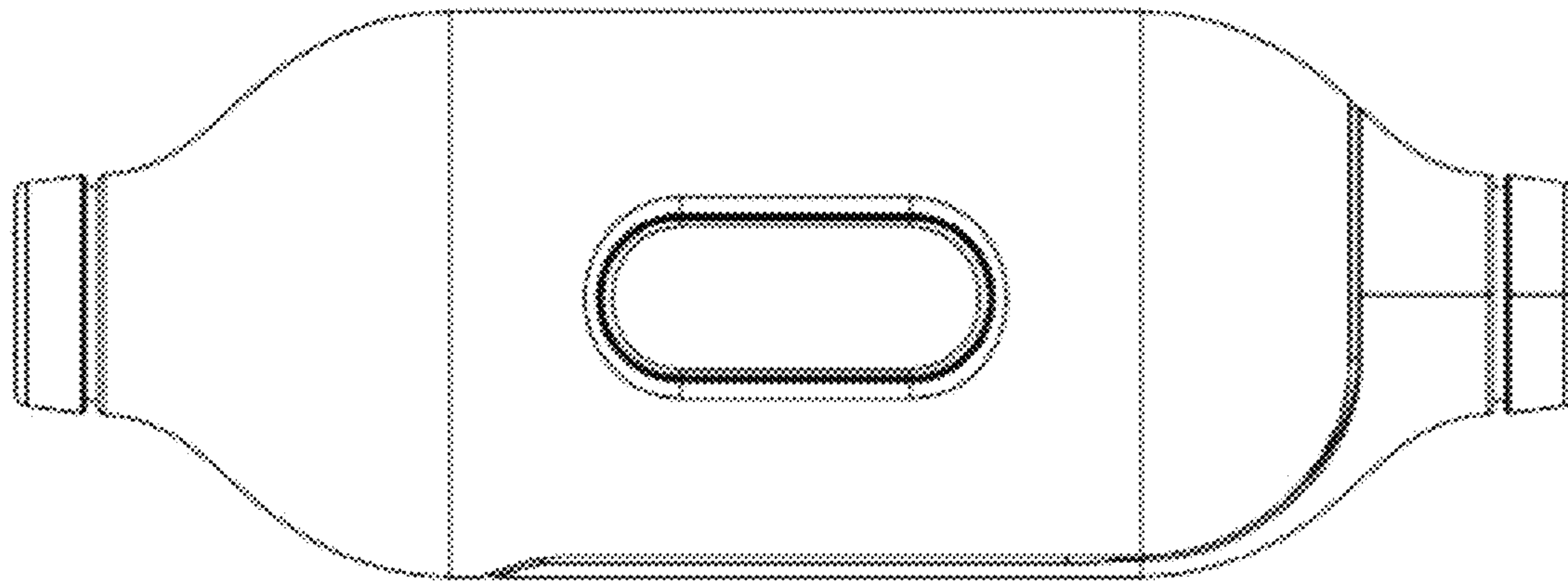


FIG. 2

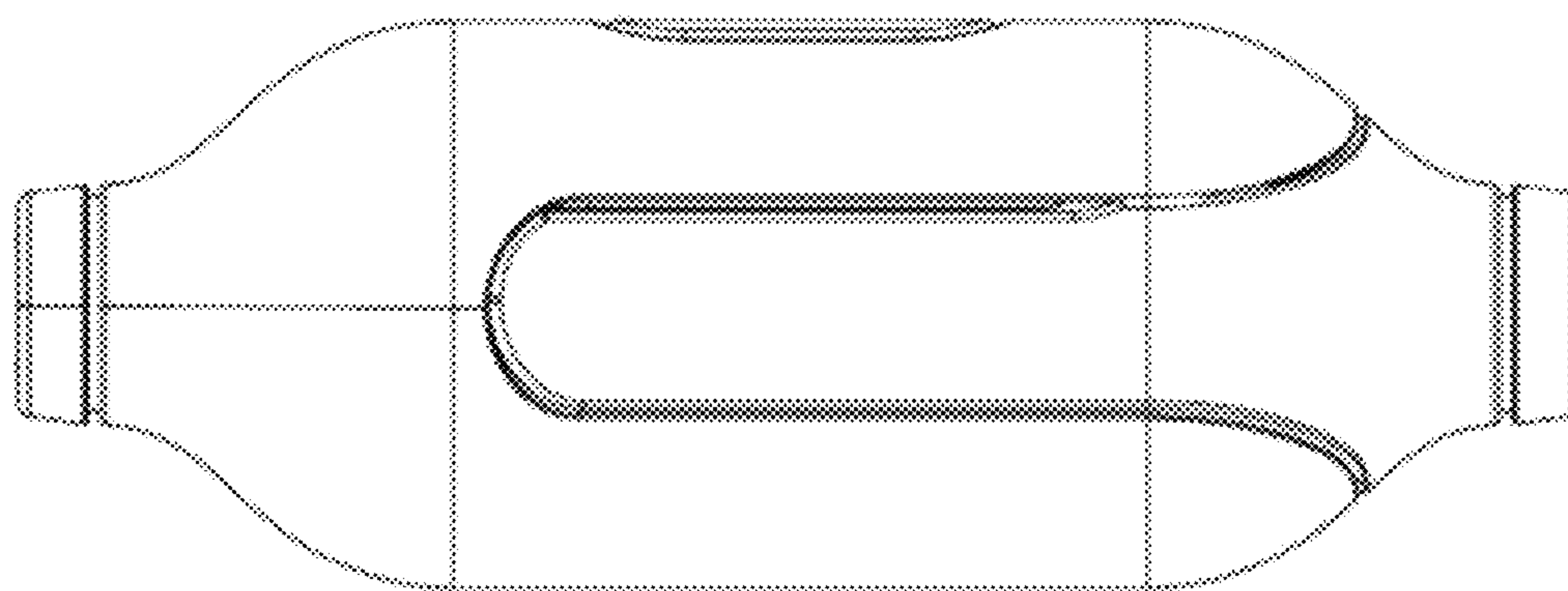


FIG. 3

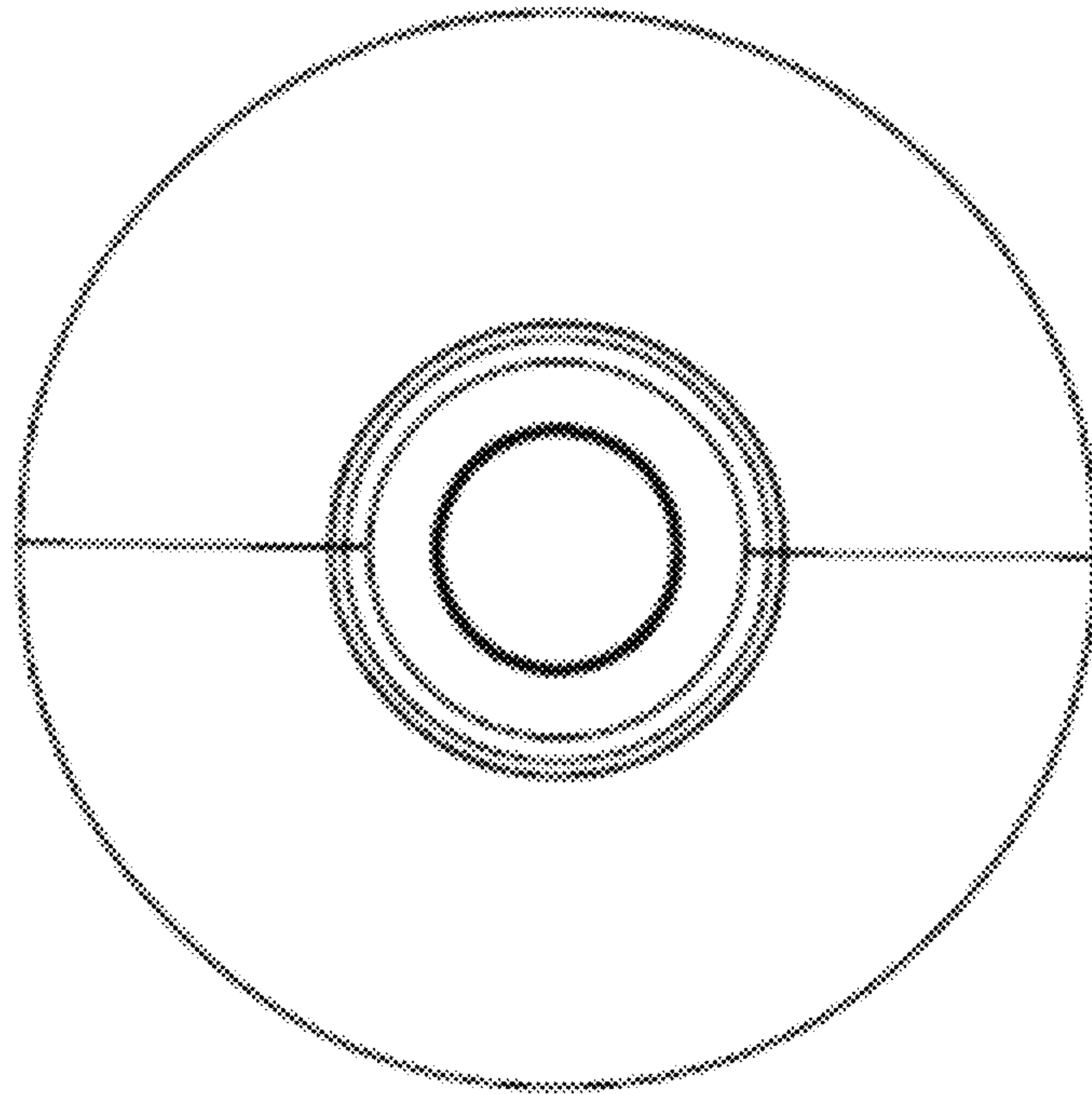


FIG. 4

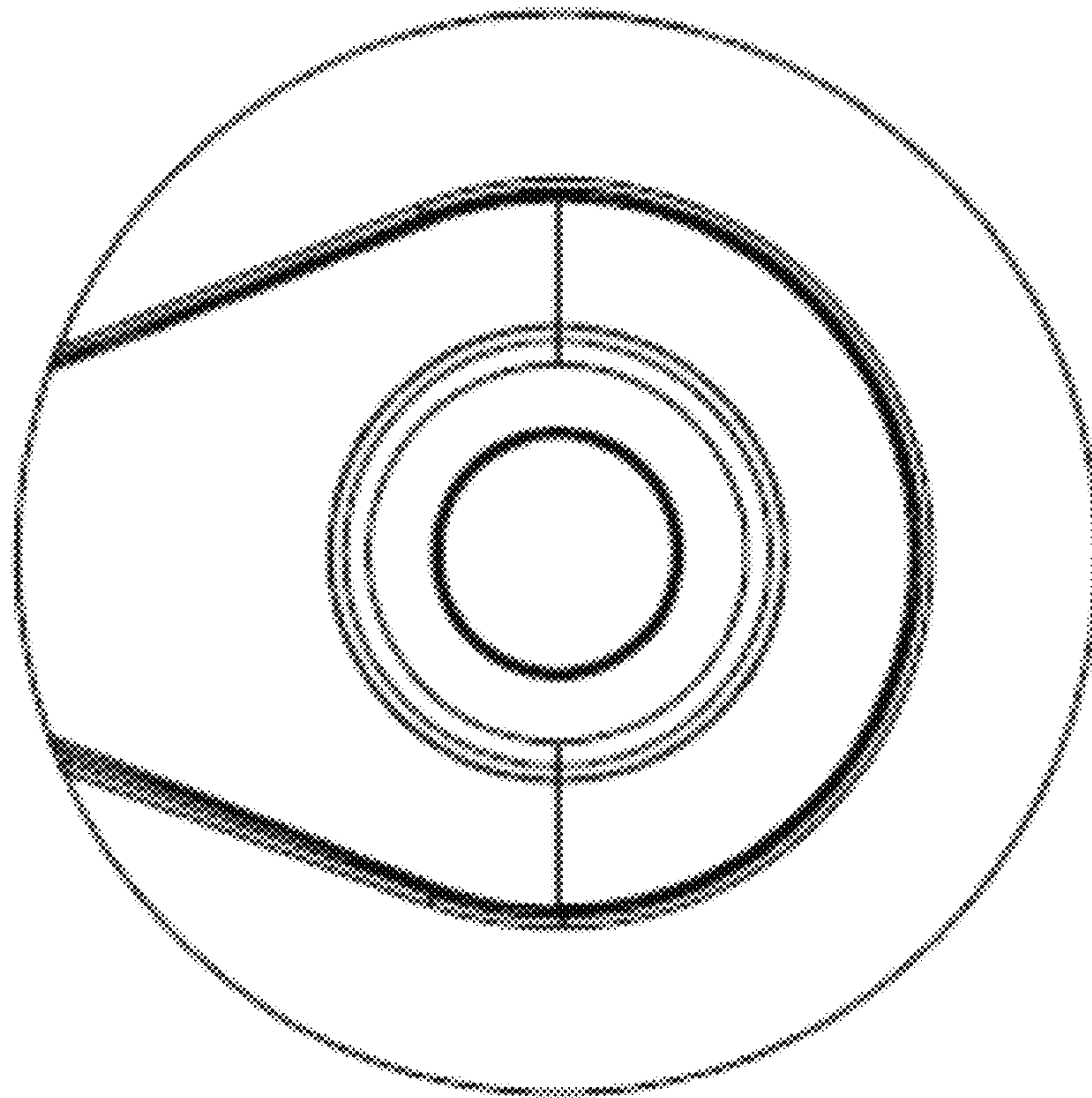


FIG. 5

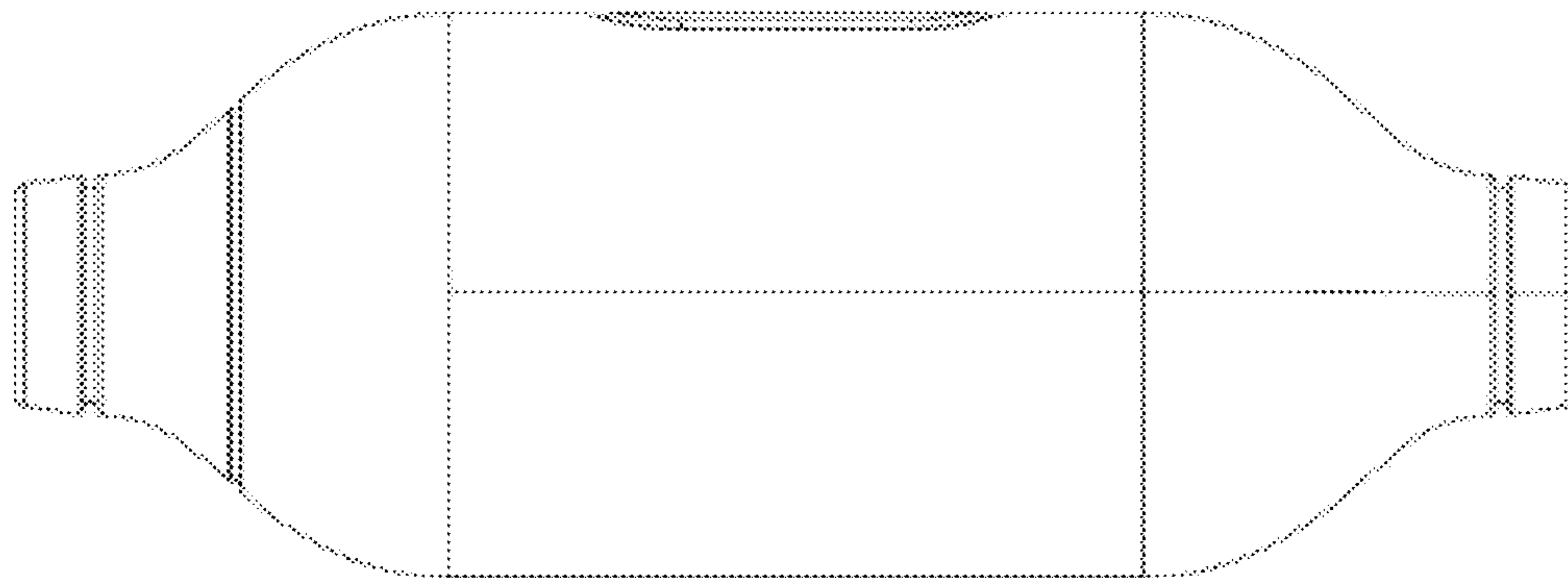


FIG. 6

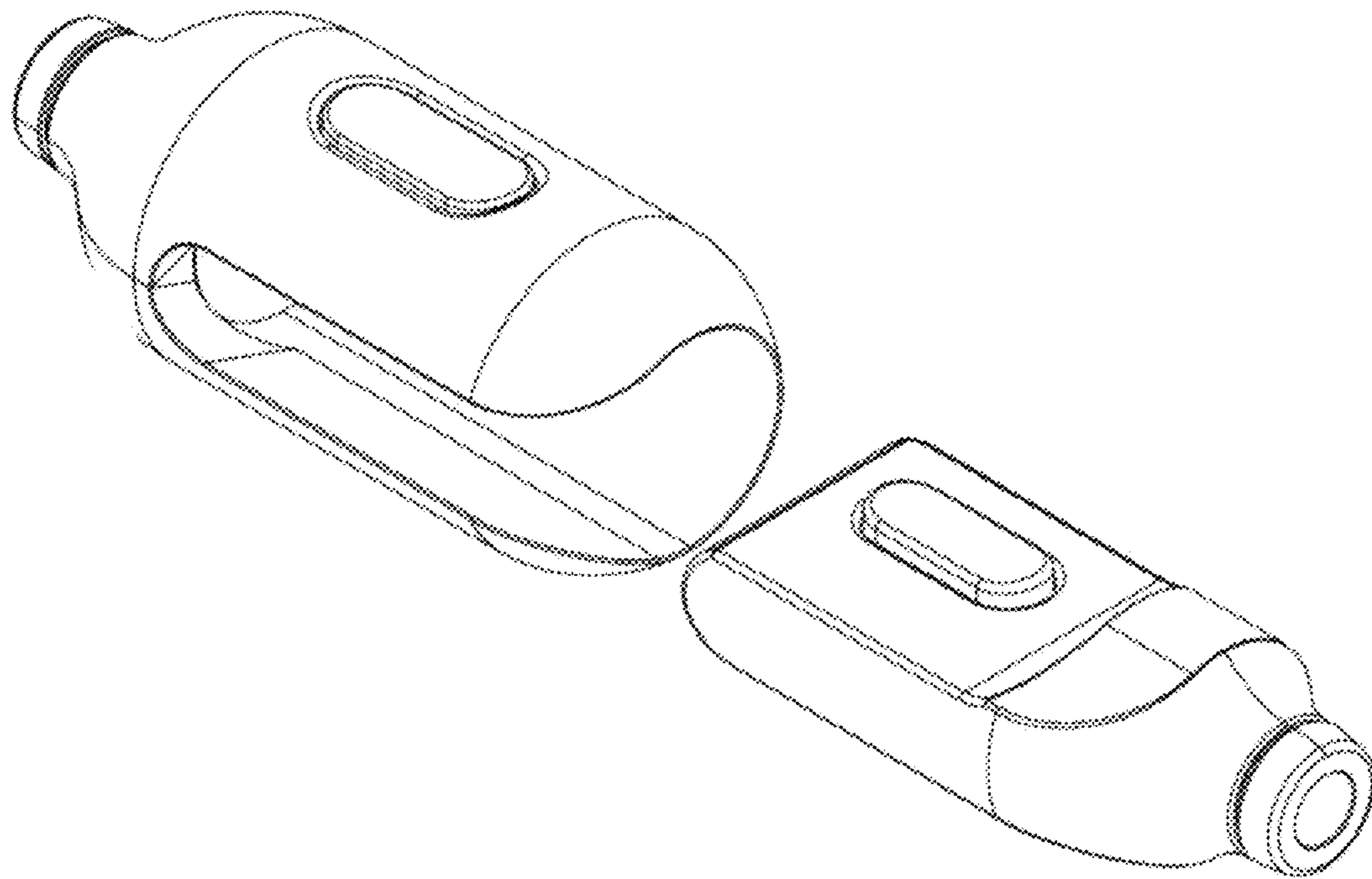


FIG. 7